



US00D590811S

(12) **United States Design Patent**
Pauschitz et al.

(10) **Patent No.:** **US D590,811 S**

(45) **Date of Patent:** **** Apr. 21, 2009**

(54) **LOUDSPEAKER**

7,039,210 B2 * 5/2006 Holland 381/334
D534,720 S * 1/2007 Infanti et al. D3/218
D542,274 S * 5/2007 Ishibashi D14/215

(75) Inventors: **Christoph Pauschitz**, Vienna (AT);
Lukasz Bertoli, Vienna (AT); **Francesco Costacurta**, Vienna (AT)

* cited by examiner

(73) Assignee: **NXP B.V.**, Eindhoven (NL)

Primary Examiner—Nanda Bondade

(74) *Attorney, Agent, or Firm*—Nixon & Vanderhye, P.C.

(**) Term: **14 Years**

(57) **CLAIM**

(21) Appl. No.: **29/300,327**

The ornamental design for a “loudspeaker,” as shown and described.

(22) Filed: **Mar. 14, 2008**

(30) **Foreign Application Priority Data**

DESCRIPTION

Jan. 3, 2008 (EM) 000853619-0003

FIG. 1 is a front elevation of a loudspeaker in accordance with our new design;

(51) **LOC (9) Cl.** **14-01**

FIG. 2 is a left side elevation view thereof;

(52) **U.S. Cl.** **D14/215; D3/218**

FIG. 3 is a rear elevation view thereof;

(58) **Field of Classification Search** D14/204,
D14/210–216, 172; 181/143–144, 147–148,
181/150–153, 157, 198–199; 381/300–303,
381/306, 332–33, 336, 345, 361–364, 386–388;
D3/201, 218, 273

FIG. 4 is a right side elevation view thereof;

FIG. 5 is a top plan view thereof;

See application file for complete search history.

FIG. 6 is a bottom plan view thereof;

FIG. 7 is a perspective view thereof;

(56) **References Cited**

U.S. PATENT DOCUMENTS

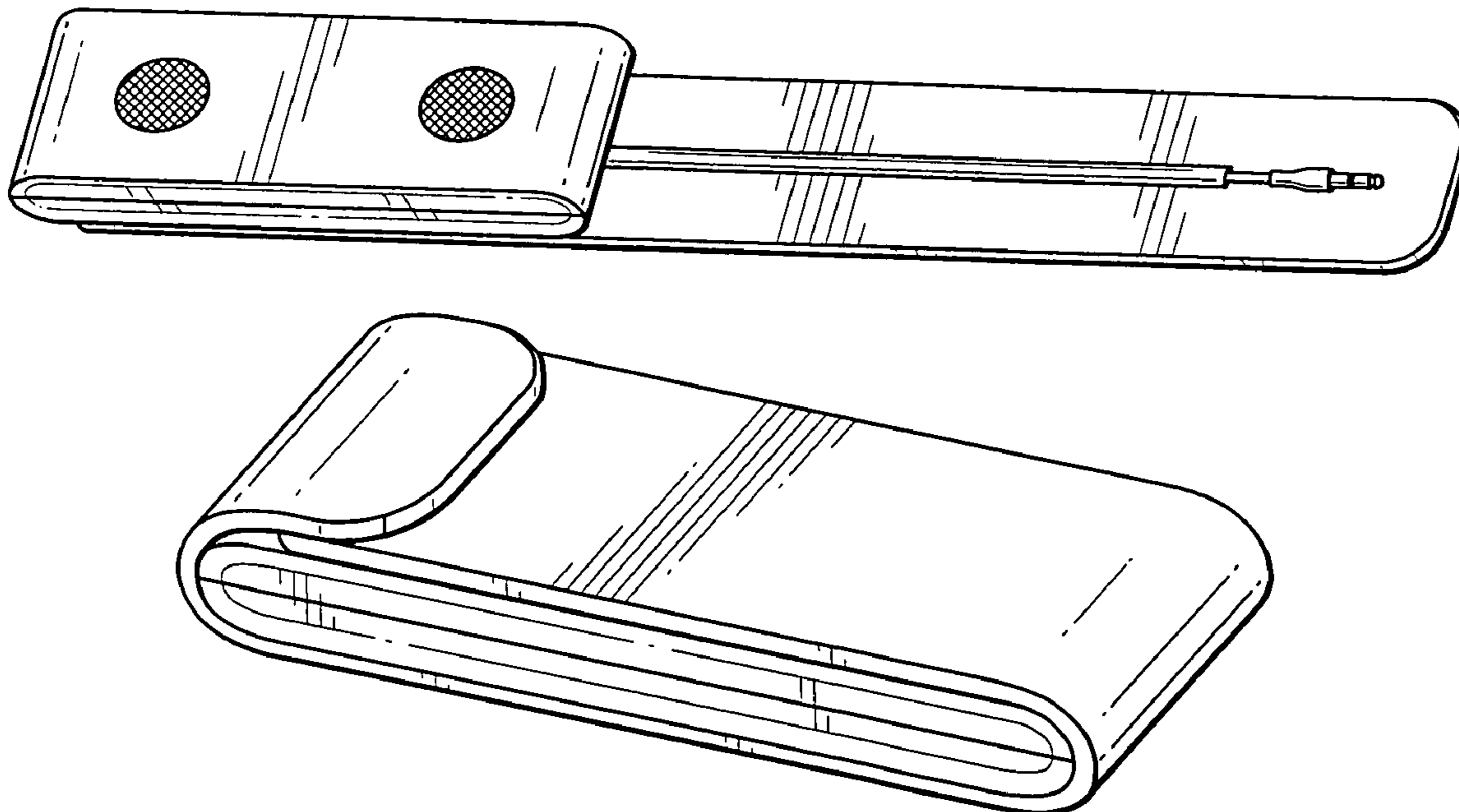
D297,188 S * 8/1988 Powell D3/218
D297,683 S * 9/1988 Beauchan D3/218
4,843,624 A * 6/1989 Rashak 181/199
D334,285 S * 3/1993 Wilson D3/218
D498,471 S * 11/2004 Solland et al. D14/215

FIG. 8 is a perspective view with a flap portion the loudspeaker folded about the remaining portion;

FIG. 9 is a perspective view of FIG. 1 with a cable removed for clarity of illustration; and,

FIG. 10 is a perspective view of FIG. 8, showing the opposite side thereof.

1 Claim, 2 Drawing Sheets



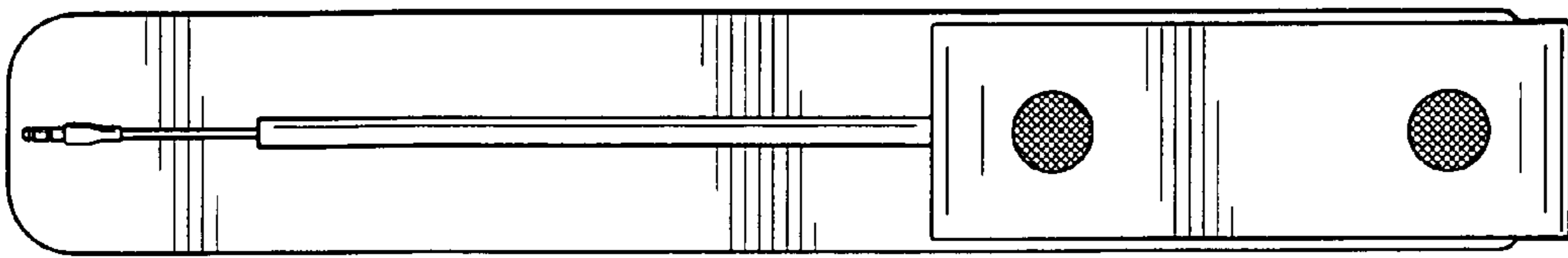


Fig. 1

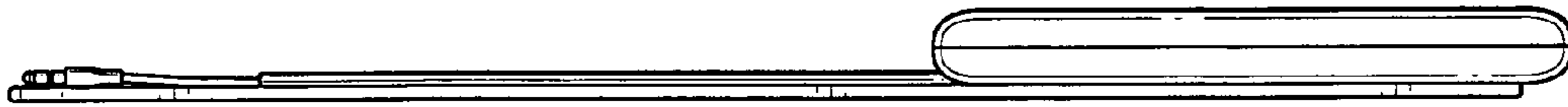


Fig. 2

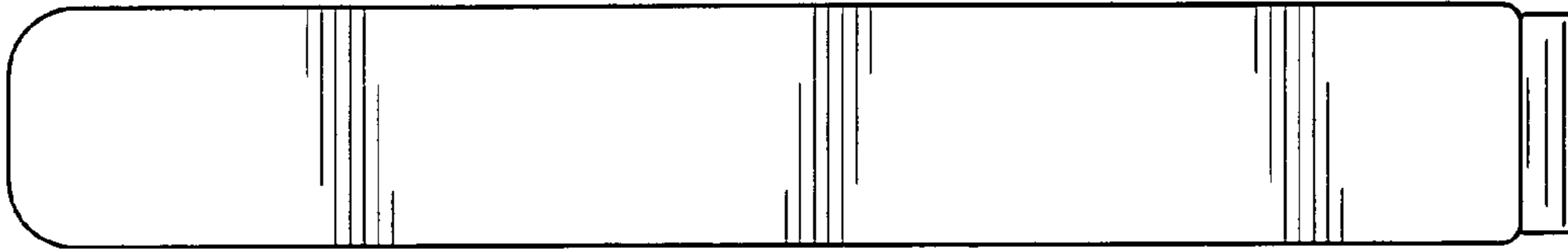


Fig. 3

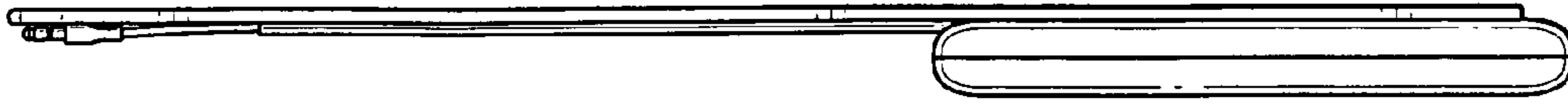


Fig. 4

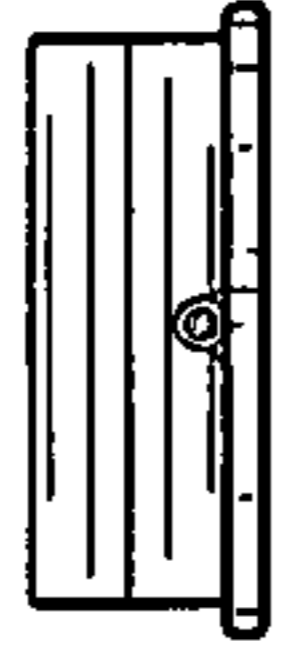


Fig. 5



Fig. 6

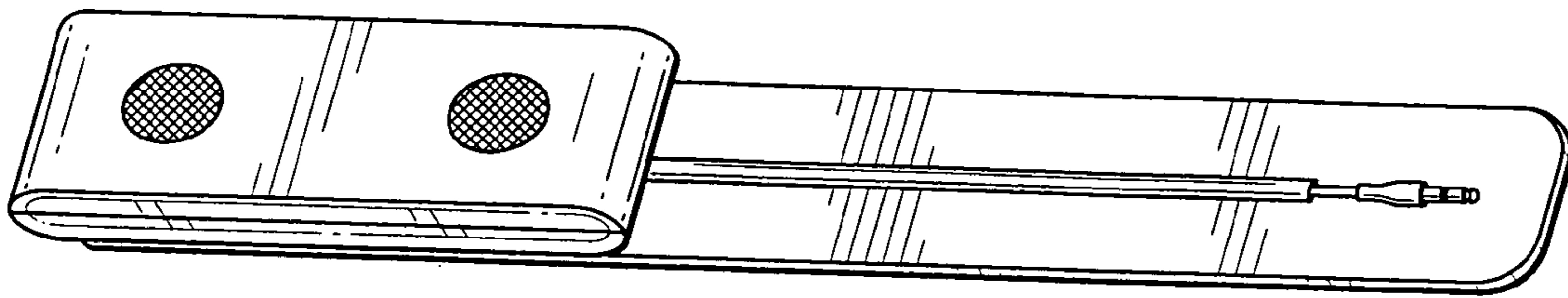


Fig. 7

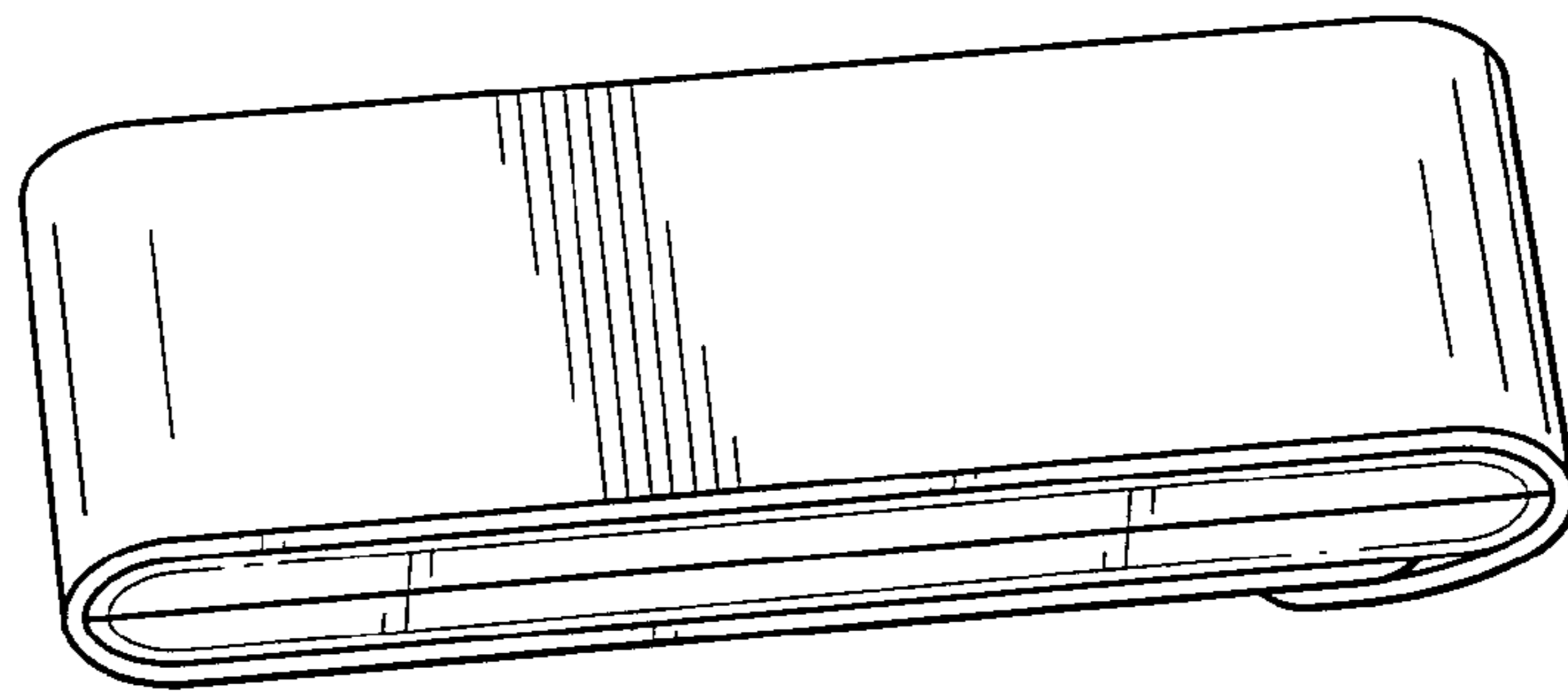


Fig. 8

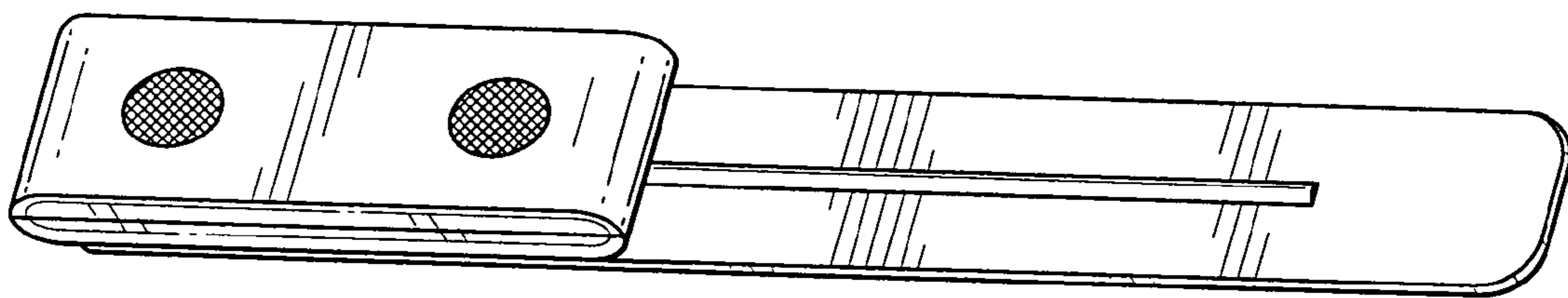


Fig. 9

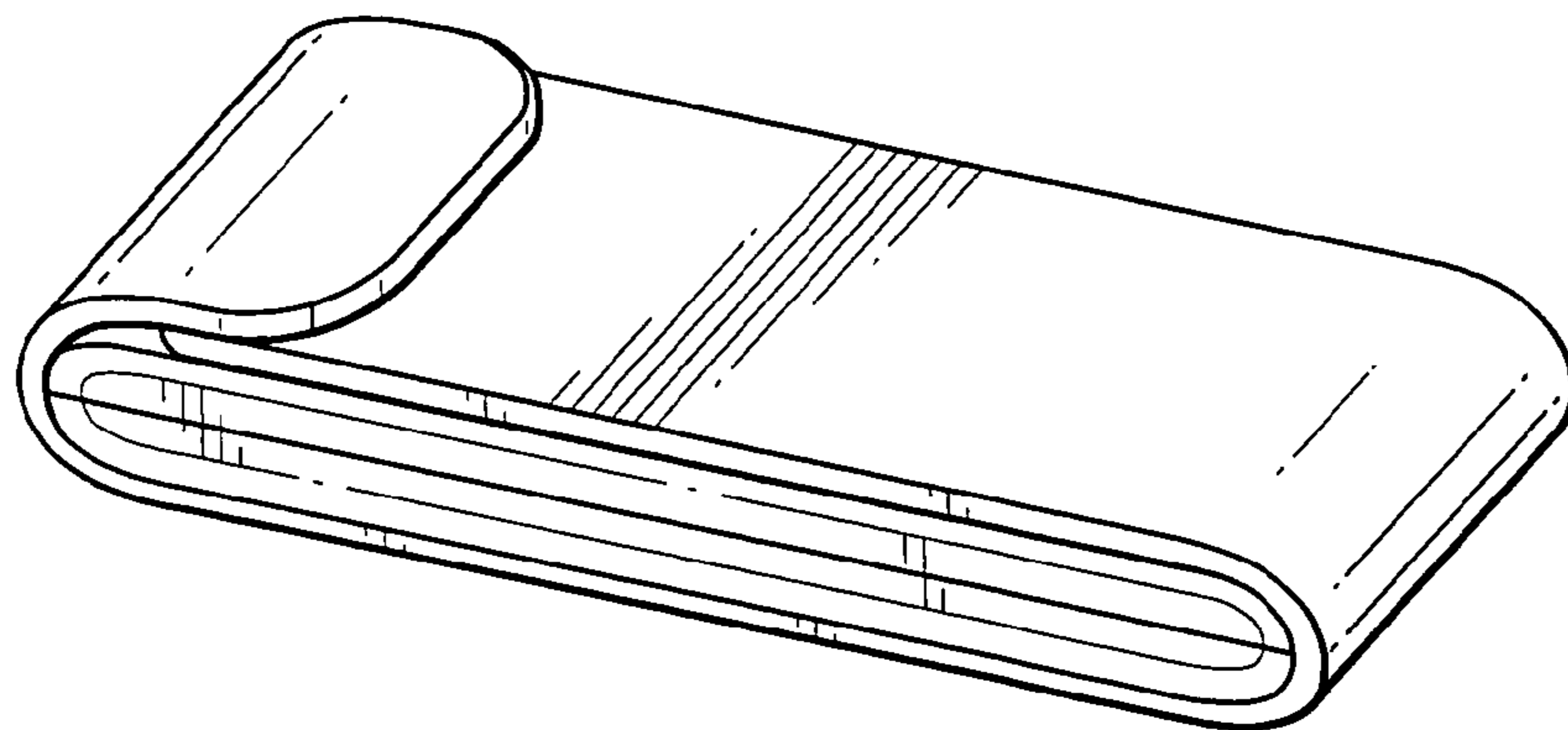


Fig. 10