



US00D590807S

(12) **United States Design Patent**  
**Kim et al.**

(10) **Patent No.:** **US D590,807 S**  
(45) **Date of Patent:** **\*\* Apr. 21, 2009**

(54) **PORTABLE PHONE**

(75) Inventors: **Dong-Kyun Kim**, Seoul (KR);  
**Joon-Suh Kim**, Anyang-Si (KR);  
**Gee-Hong Yoon**, Seongnam-Si (KR)

(73) Assignee: **Samsung Electronics Co., Ltd.**,  
Suwon-si (KR)

(\*\*) Term: **14 Years**

(21) Appl. No.: **29/324,900**

(22) Filed: **Sep. 23, 2008**

(51) **LOC (9) Cl.** ..... **14-03**

(52) **U.S. Cl.** ..... **D14/138 AB**

(58) **Field of Classification Search** ..... D14/138 AB,  
D14/496, 341-347, 191; 455/575.3; D10/40  
See application file for complete search history.

(56) **References Cited**

U.S. PATENT DOCUMENTS

D345,356	S *	3/1994	Ando et al.	.....	D14/138 AB
D443,293	S *	6/2001	Chan	.....	D18/7
6,269,256	B1 *	7/2001	Nakamura	.....	455/567
D468,279	S *	1/2003	Kim et al.	.....	D14/138 AB
D475,987	S *	6/2003	Lee et al.	.....	D14/138 AB
6,662,244	B1 *	12/2003	Takahashi	.....	710/14
6,775,560	B2 *	8/2004	King et al.	.....	455/566
D499,424	S *	12/2004	Bahroocha	.....	14/203.7
D512,073	S *	11/2005	Rodarte	.....	D14/203.4
7,016,703	B2 *	3/2006	Kishimoto et al.	.....	455/566
D525,230	S *	7/2006	Kim et al.	.....	D14/138 AB
D531,157	S *	10/2006	Lheem	.....	D14/138 AB
D531,771	S *	11/2006	Kim et al.	.....	D32/25
7,263,391	B2 *	8/2007	Sugiyama et al.	.....	455/575.3
D554,610	S *	11/2007	Kim et al.	.....	D14/138 AB
D563,935	S *	3/2008	Kim et al.	.....	D14/138 AD
D566,086	S *	4/2008	Hong et al.	.....	D14/138 AA
D566,671	S *	4/2008	Lee	.....	D14/138 AA
D568,279	S *	5/2008	Kwon et al.	.....	D14/138 AB
D572,221	S *	7/2008	Yang et al.	.....	D14/138 AB
D572,222	S *	7/2008	Choi et al.	.....	D14/138 AB

D572,228	S *	7/2008	Kwon et al.	.....	D14/138 AB
D574,348	S *	8/2008	Mun	.....	
D584,268	S *	1/2009	Kim	.....	D14/138 AB
2004/0121800	A1 *	6/2004	Nagata	.....	455/550.1
2008/0293459	A1 *	11/2008	Wang	.....	455/575.3

OTHER PUBLICATIONS

LG HB620T telephone, announced Feb. 2008, [online], [site visited Jan. 19, 2009]. Available from Internet ,<URL: <http://www.gsmarena.com>>.\*

Samsung Serene telephone, announced Oct. 2005, [online], [site visited Jan. 19, 2009]. Available from Internet ,<URL: <http://www.gsmarena.com>>.\*

NEC 910 telephone, announced 1st quarter 2004, [online], [site visited Jan. 19, 2009]. Available from Internet ,<URL: <http://www.gsmarena.com>>.\*

NEC e808 telephone, announced 1st quarter 2003, [online], [site visited Jan. 19, 2009]. Available from Internet ,<URL: <http://www.gsmarena.com>>.\*

\* cited by examiner

*Primary Examiner*—Jeffrey D Asch

(74) *Attorney, Agent, or Firm*—Staas & Halsey LLP

(57) **CLAIM**

The ornamental design for a portable phone, as shown and described.

**DESCRIPTION**

FIG. 1 is a perspective view of a portable phone;  
 FIG. 2 is a front view of the portable phone of FIG. 1;  
 FIG. 3 is a rear view of the portable phone of FIG. 1;  
 FIG. 4 is a left-side view of the portable phone of FIG. 1;  
 FIG. 5 is a right-side view of the portable phone of FIG. 1;  
 FIG. 6 is a top plan view of the portable phone of FIG. 1;  
 FIG. 7 is a bottom plan view of the portable phone of FIG. 1;  
 and,  
 FIG. 8 is a perspective open view of the portable phone of FIG. 1.

**1 Claim, 6 Drawing Sheets**

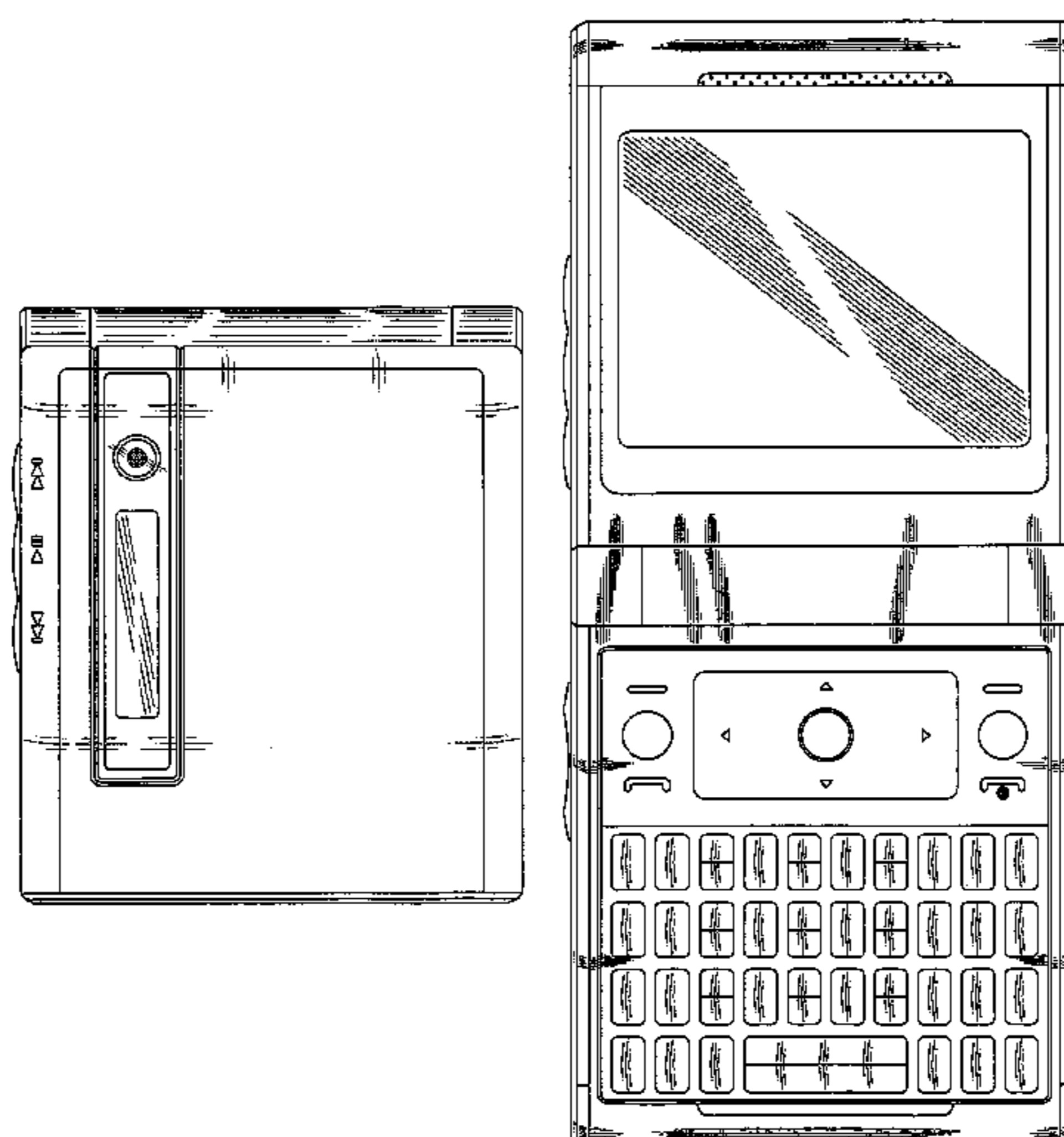


FIG. 1

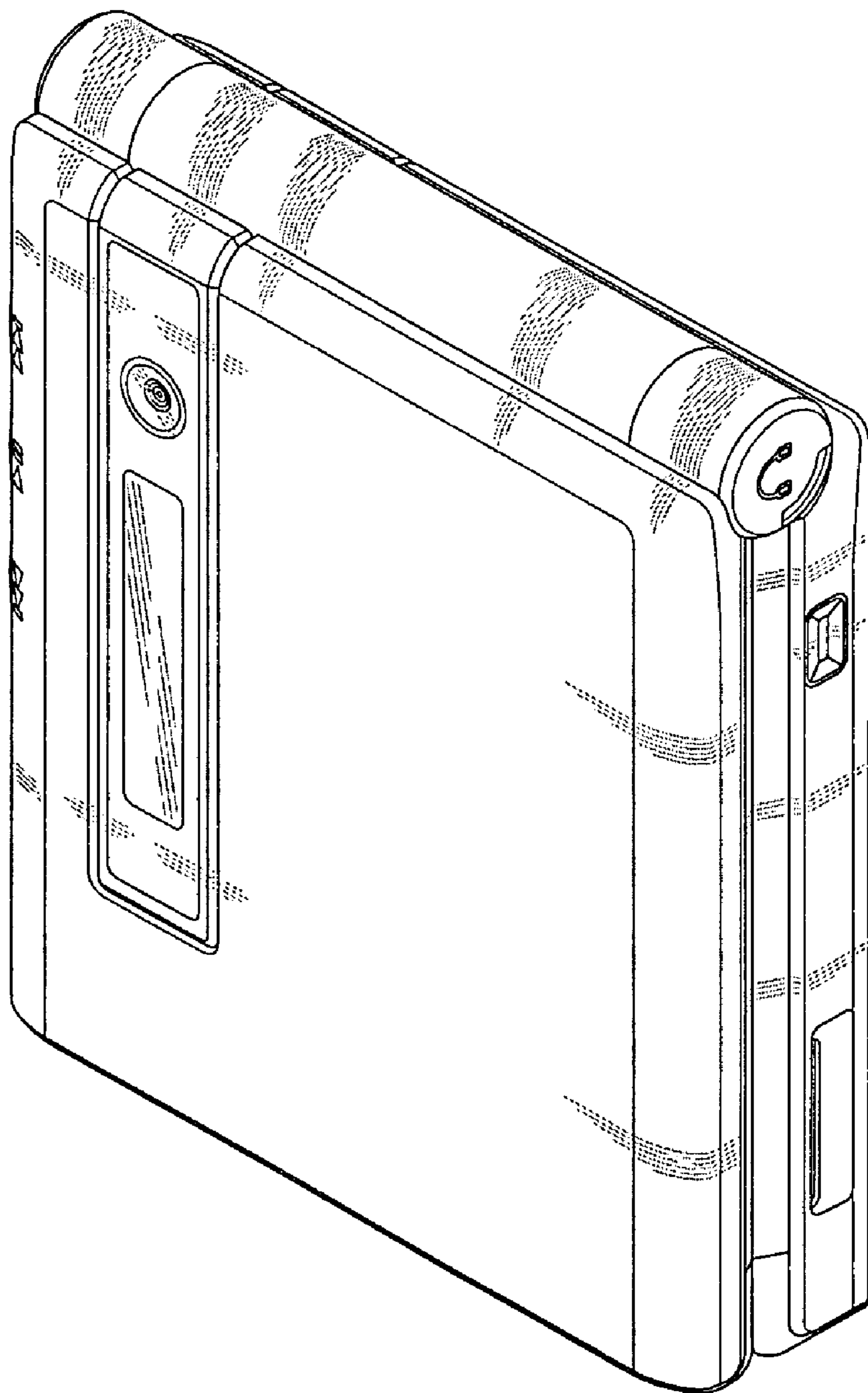


FIG. 2

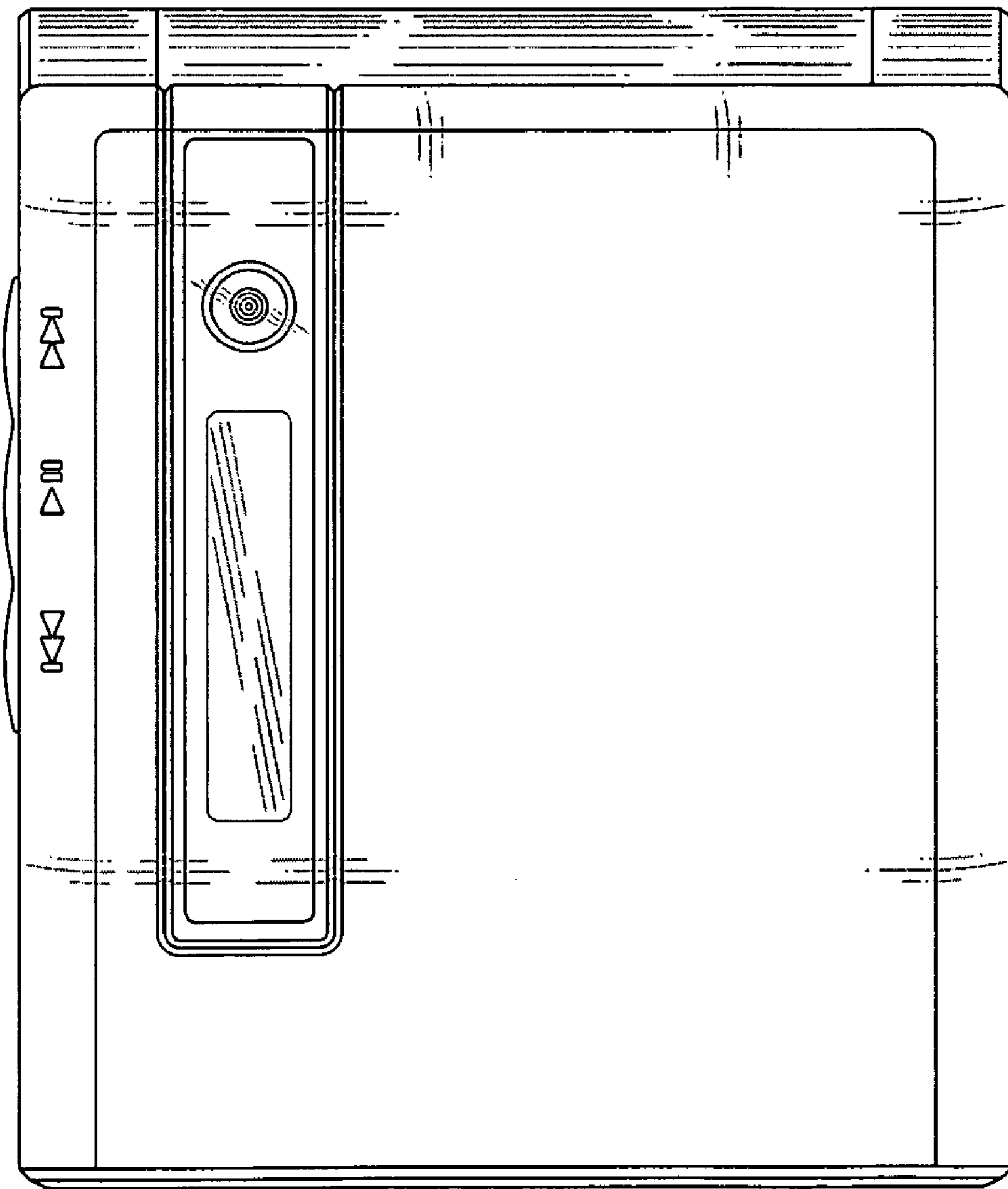


FIG. 3

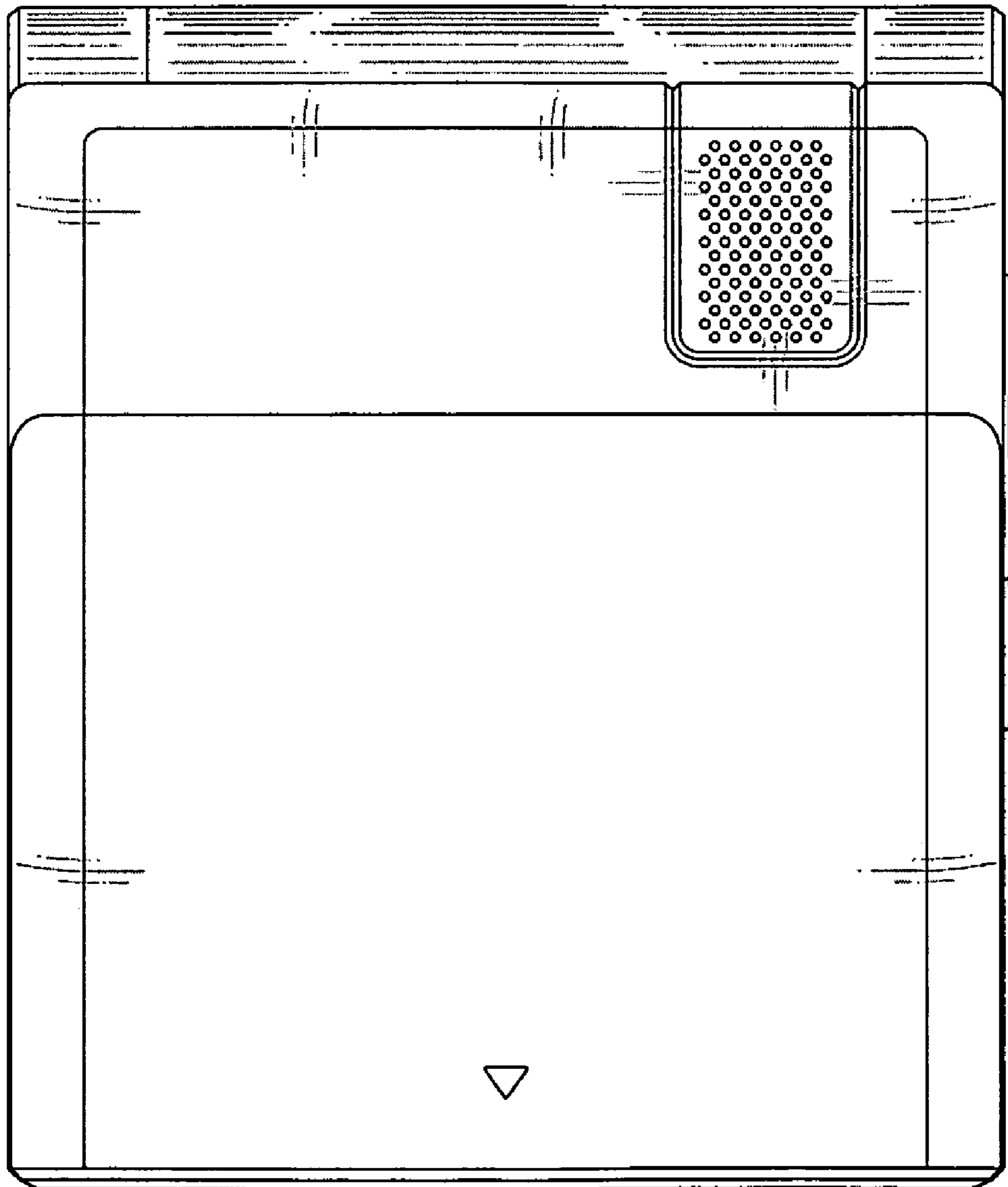


FIG. 4

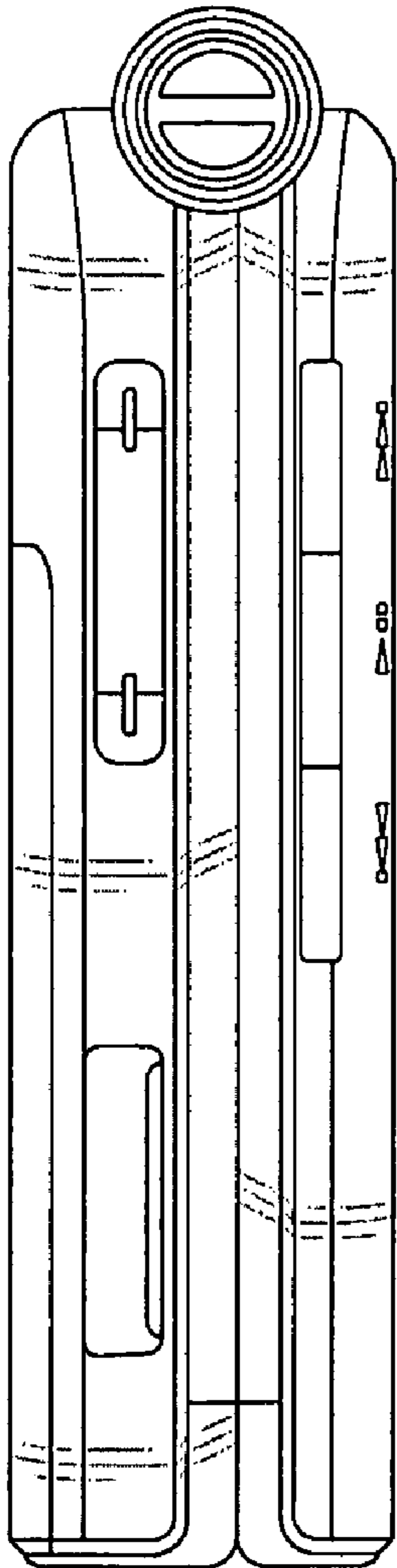


FIG. 5

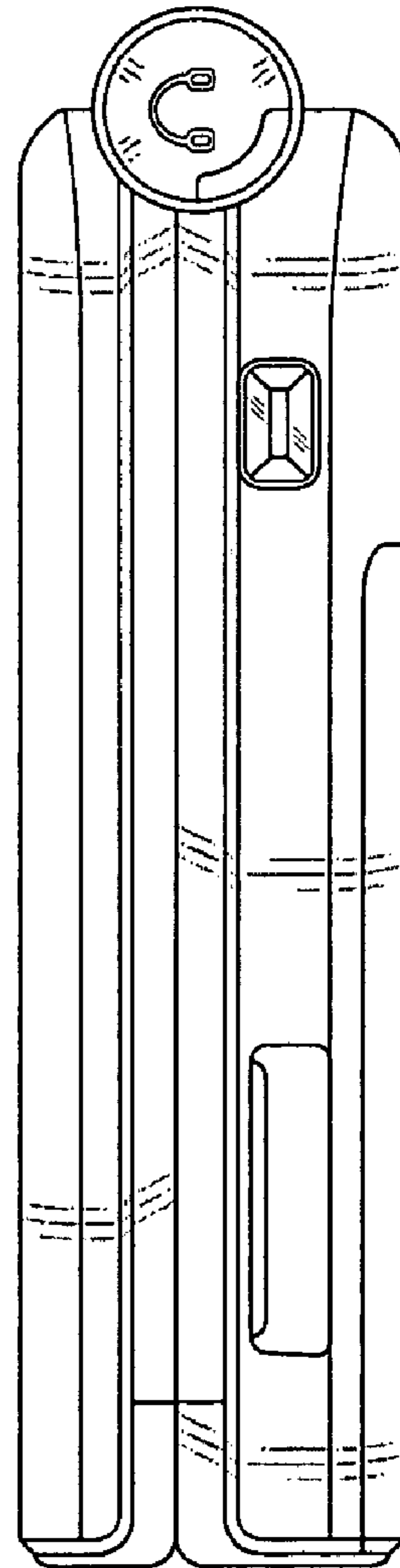


FIG. 6

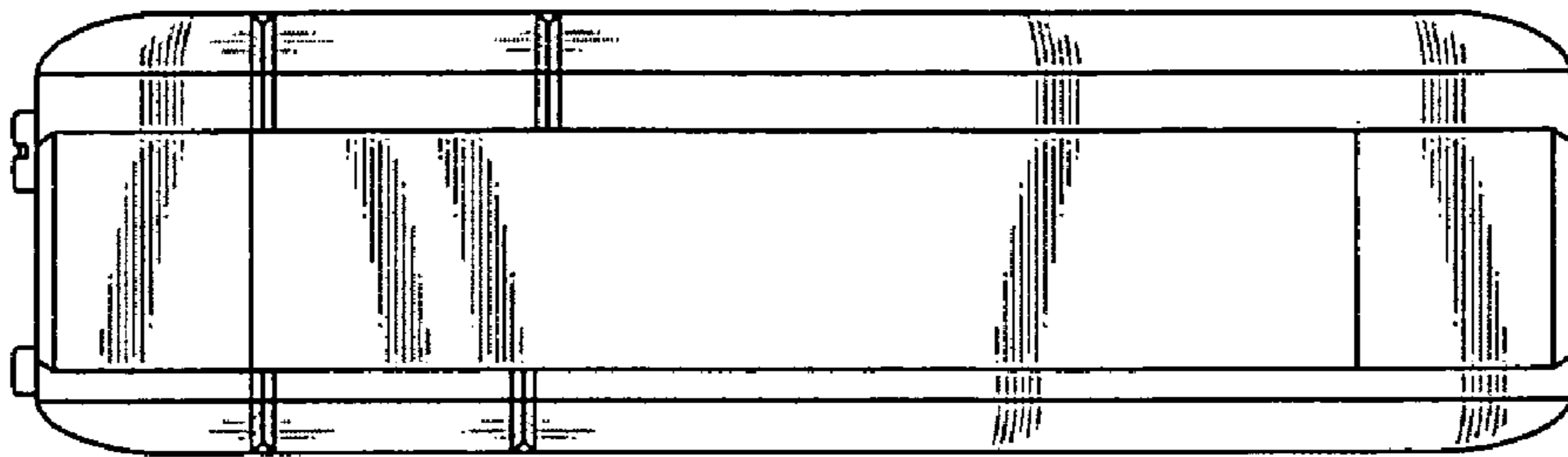


FIG. 7

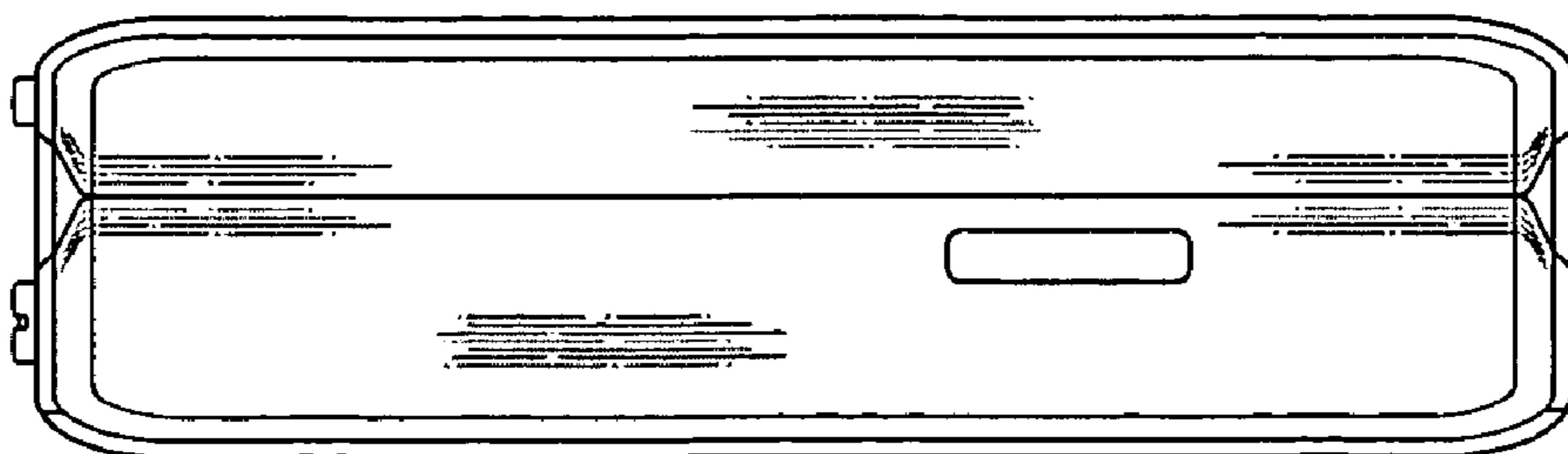


FIG. 8

