



US00D590793S

(12) **United States Design Patent**  
**Kim et al.**

(10) **Patent No.:** **US D590,793 S**  
(45) **Date of Patent:** **\*\* Apr. 21, 2009**

(54) **MOBILE PHONE**

(75) Inventors: **Kuk-Hwan Kim**, Seoul (KR); **Nam-Mi Kim**, Seoul (KR); **Chang-Soo Lee**, Incheon (KR)

(73) Assignee: **Samsung Electronics Co., Ltd.**, Suwon-Si (KR)

(\*\*) Term: **14 Years**

(21) Appl. No.: **29/290,381**

(22) Filed: **Nov. 28, 2007**

(30) **Foreign Application Priority Data**

Aug. 16, 2007 (KR) ..... 30-2007-0034890

(51) **LOC (9) Cl.** ..... **14-03**

(52) **U.S. Cl.** ..... **D14/138 AD; D14/138 AC**

(58) **Field of Classification Search** ..... D14/137, D14/138, 147, 191, 218, 247-248, 341-347, D14/496; D10/65, 78, 104; D13/168; D18/7; 455/556.1, 566, 575.1, 575.3; 345/169  
See application file for complete search history.

(56) **References Cited**

**U.S. PATENT DOCUMENTS**

D502,703 S \* 3/2005 Tsujimoto et al. .... D14/346

(Continued)

**OTHER PUBLICATIONS**

HTC P3600i, announced Aug. 2007, [online], [retrieved on Dec. 13, 2007]. Retrieved from Internet ,<URL: <http://www.gsmarena.com>>.\*

Motorola RIZR Z8, announced Feb. 2007, [online], [retrieved on Feb. 16, 2007]. Retrieved from Internet ,<URL: <http://www.gsmarena.com>>.\*

LG V9000, announced Feb. 2006, [online], [retrieved on Feb. 20, 2007]. Retrieved from Internet ,<URL: <http://www.gsmarena.com>>.\*

LG U900, announced Apr. 2006, [online], [retrieved on Feb. 20, 2007]. Retrieved from Internet ,<URL: <http://www.gsmarena.com>>.\*

LG KU950, announced Feb. 2007, [online], [retrieved on Feb. 20, 2007]. Retrieved from Internet ,<URL: <http://www.gsmarena.com>>.\*

(Continued)

*Primary Examiner*—Jeffrey D Asch

*Assistant Examiner*—Bridget L Eland

(74) *Attorney, Agent, or Firm*—Staas & Halsey LLP

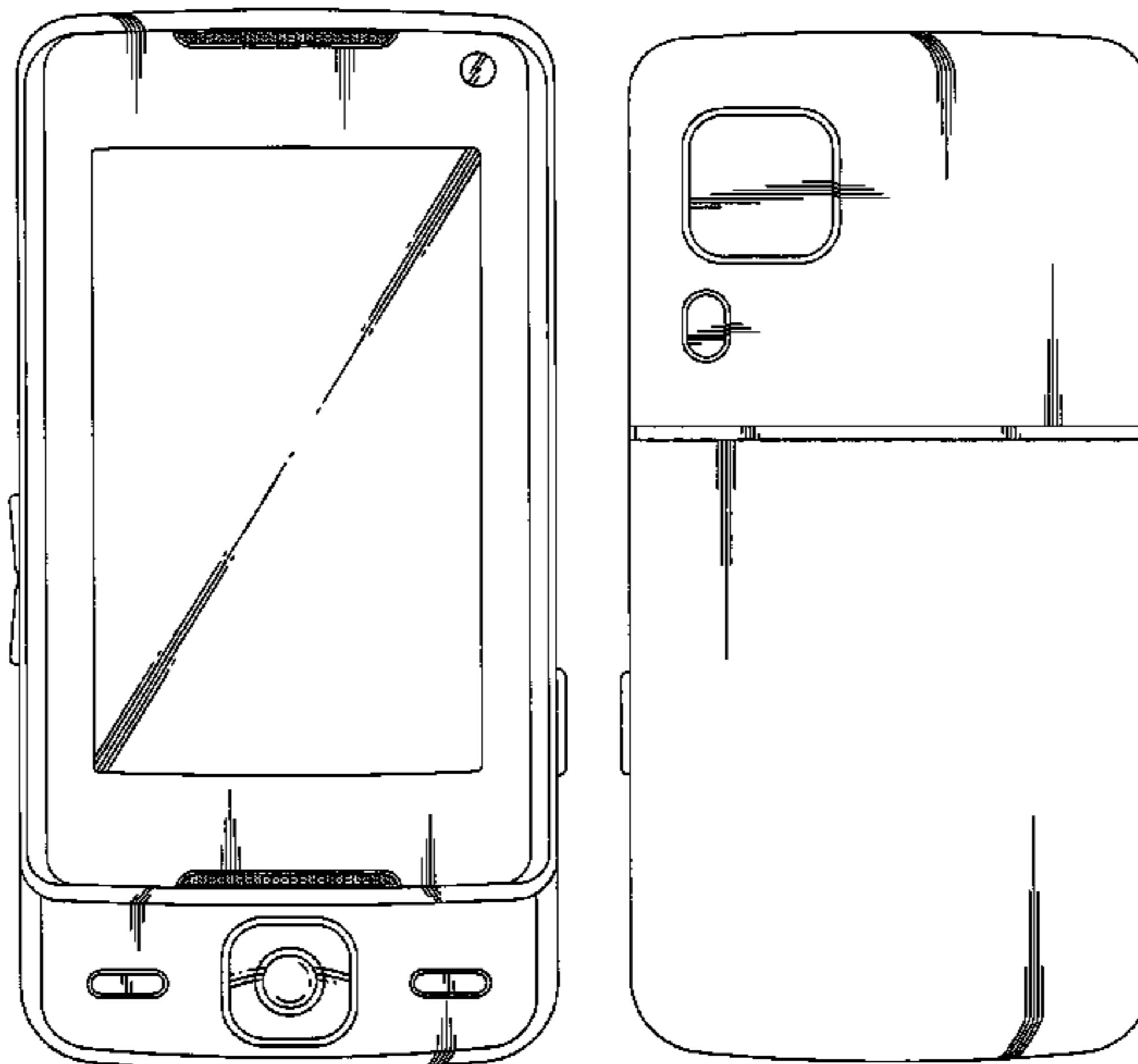
(57) **CLAIM**

The ornamental design for a mobile phone, as shown and described.

**DESCRIPTION**

FIG. 1 is a perspective view of a mobile phone;  
FIG. 2 is a front view of the mobile phone of FIG. 1;  
FIG. 3 is a rear view of the mobile phone of FIG. 1;  
FIG. 4 is a left-side view of the mobile phone of FIG. 1;  
FIG. 5 is a right-side view of the mobile phone of FIG. 1;  
FIG. 6 is a top plan view of the mobile phone of FIG. 1;  
FIG. 7 is a bottom plan view of the mobile phone of FIG. 1;  
FIG. 8 is an open left-side view of the mobile phone of FIG. 1 with the front panel slid upward where the upper body is at an inclined angle; and  
FIG. 9 is another open left-side view of the mobile phone of FIG. 1, where the front display panel is rotated horizontally and the upper body is at an inclined angle;  
FIG. 10 is an open front view of the mobile phone of FIG. 1; and  
FIG. 11 is another open front view of the mobile phone of FIG. 1; where the front display panel is rotated horizontally.  
The outermost broken lines adjacent to the claimed areas represent the bounds of the claimed design while all other broken lines are directed to environment and are for illustrative purposes only; the broken lines form no part of the claimed invention.

**1 Claim, 9 Drawing Sheets**



# US D590,793 S

Page 2

## U.S. PATENT DOCUMENTS

D519,998 S *	5/2006	Park	.....	D14/346	D562,290 S *	2/2008	Cho et al.	.....	D14/138
D527,000 S *	8/2006	Hong et al.	.....	D14/346	D563,369 S *	3/2008	Kim et al.	.....	D14/138
D531,609 S *	11/2006	Kim et al.	.....	D14/138	D563,936 S *	3/2008	Kim et al.	.....	D14/138
D531,977 S *	11/2006	Kim et al.	.....	D14/138	D567,819 S *	4/2008	Devericks et al.	.....	D14/496
D541,782 S *	5/2007	Kim et al.	.....	D14/138	D568,286 S *	5/2008	Suk et al.	.....	D14/138
D542,764 S *	5/2007	Lee et al.	.....	D14/138	D569,365 S *	5/2008	Shin et al.	.....	D14/138
D544,460 S *	6/2007	Yau	.....	D14/138	7,369,882 B2 *	5/2008	Hwang et al.	.....	455/575.1
D545,291 S *	6/2007	Chuang	.....	D14/138	2007/0103443 A1 *	5/2007	Park et al.	.....	345/169
D548,213 S *	8/2007	Lee et al.	.....	D14/138					
D549,204 S *	8/2007	Cho	.....	D14/138					
D551,646 S *	9/2007	Kim et al.	.....	D14/138					
7,269,450 B2 *	9/2007	Lee et al.	.....	455/575.1					
D553,596 S *	10/2007	Kim et al.	.....	D14/138					
D555,132 S *	11/2007	Kim et al.	.....	D14/138					
D555,623 S *	11/2007	Cho et al.	.....	D14/138					
D558,726 S *	1/2008	Wang et al.	.....	D14/138					
D560,193 S *	1/2008	Sung et al.	.....	D14/138					

## OTHER PUBLICATIONS

LG U960, announced 3<sup>rd</sup> quarter 2007, [online], [retrieved on Dec. 13, 2007]. Retrieved from Internet ,<URL: <http://www.gsmarena.com>>.\*

Samsung P930, announced Dec. 2006, [online], [retrieved on Feb. 8, 2007]. Retrieved from Internet ,<URL: <http://www.gsmarena.com>>.\*

\* cited by examiner

FIG. 1

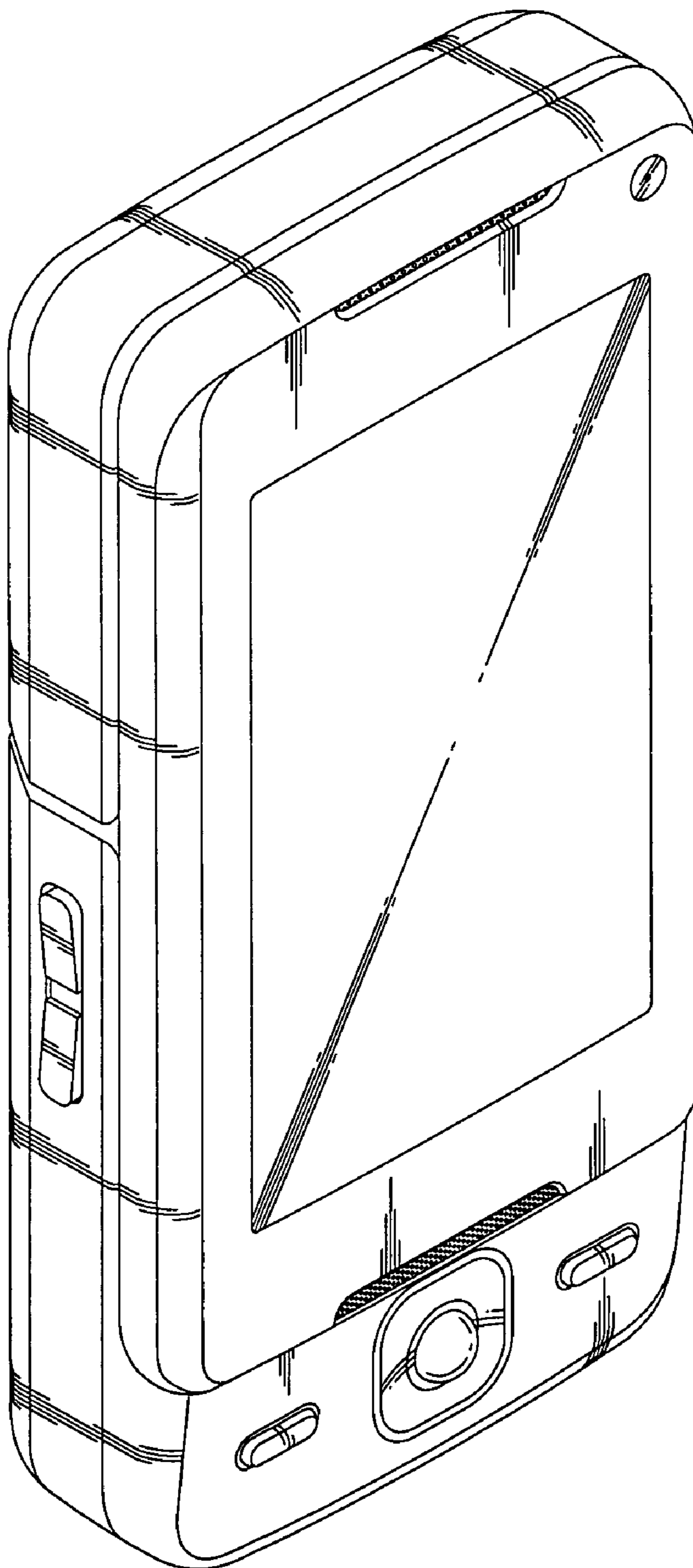


FIG. 2

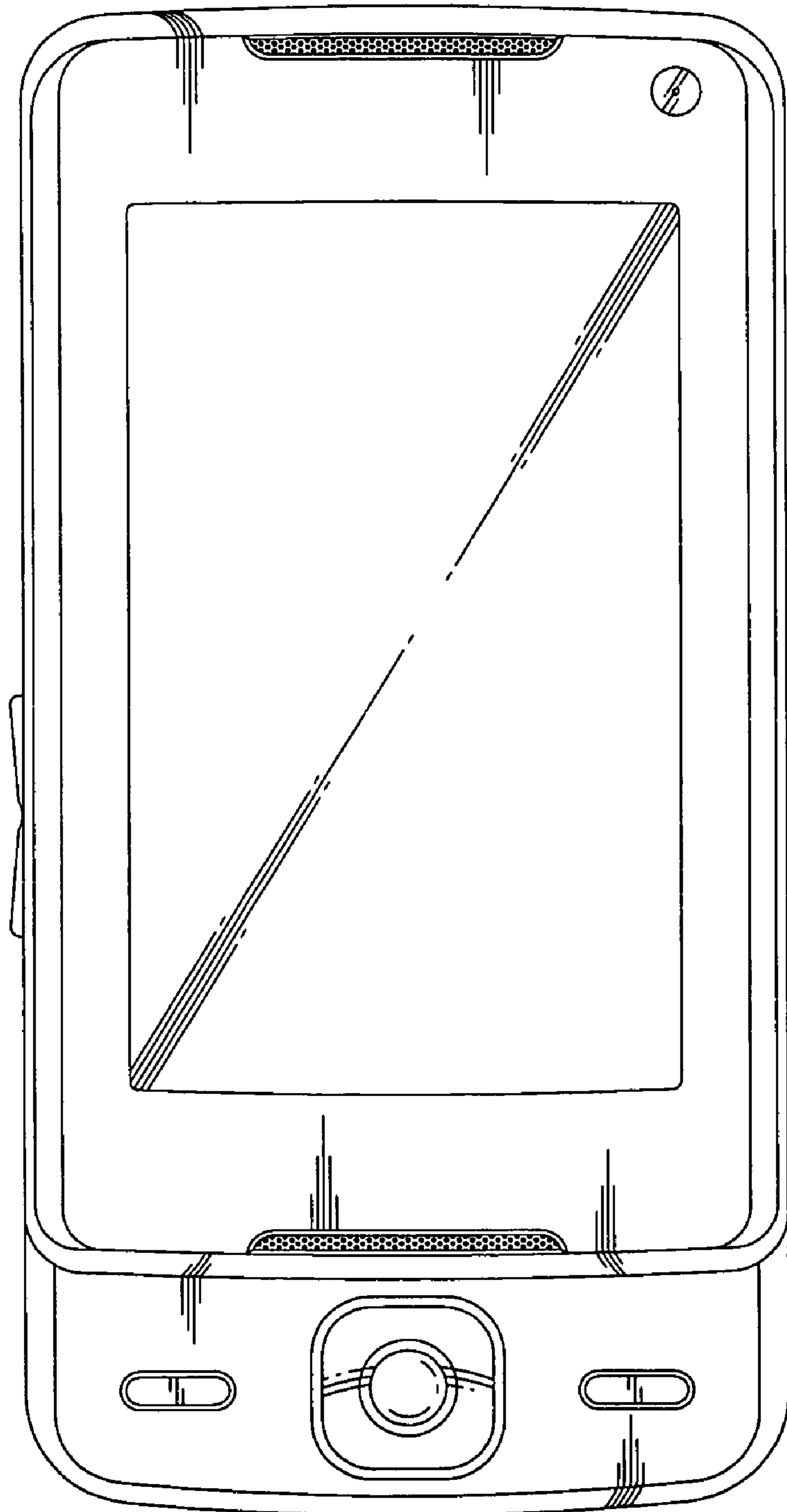


FIG. 3

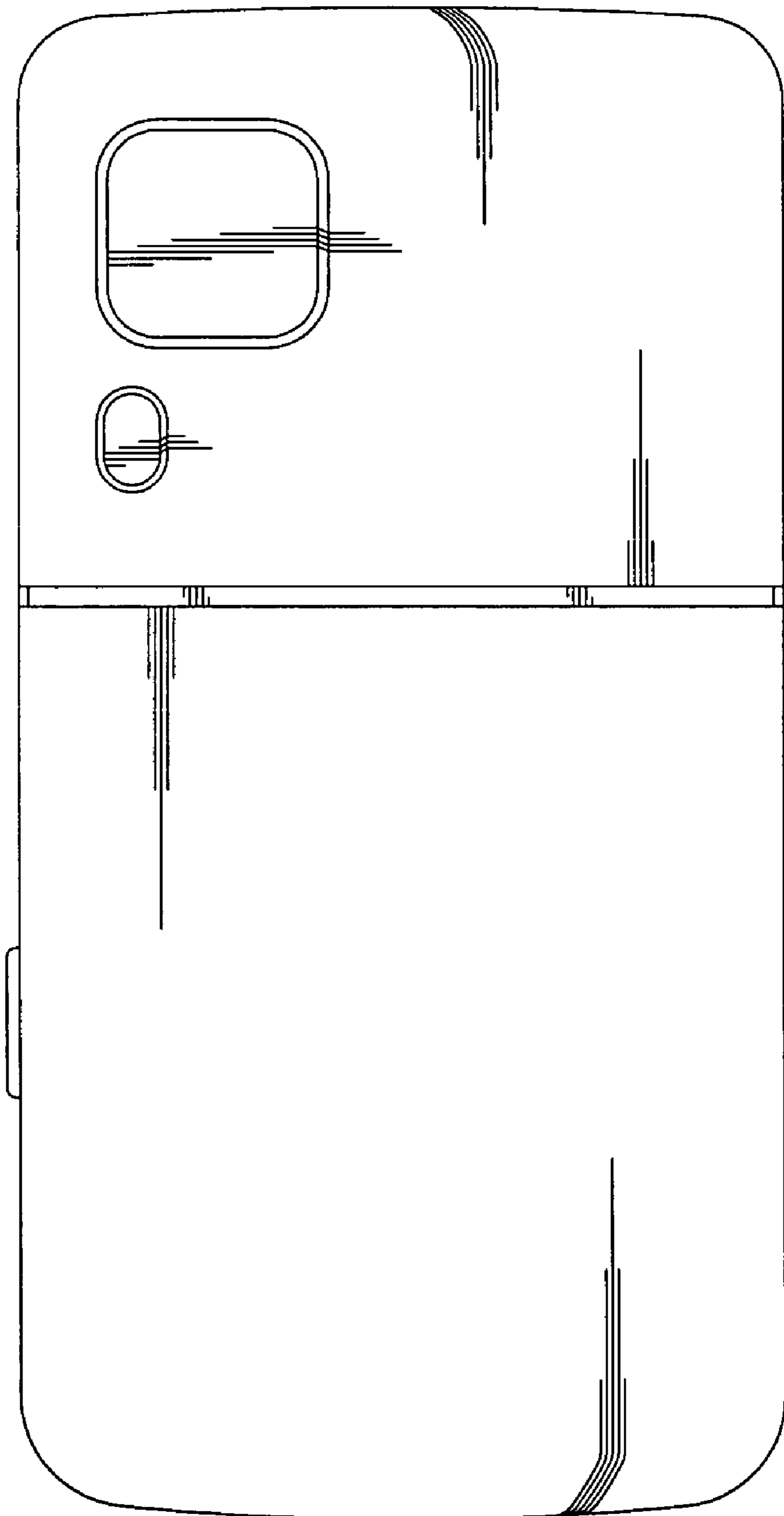


FIG. 4

FIG. 5

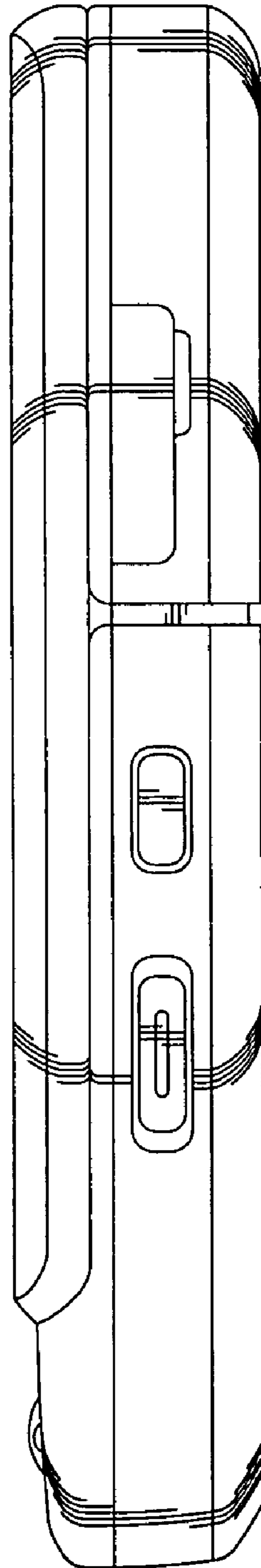
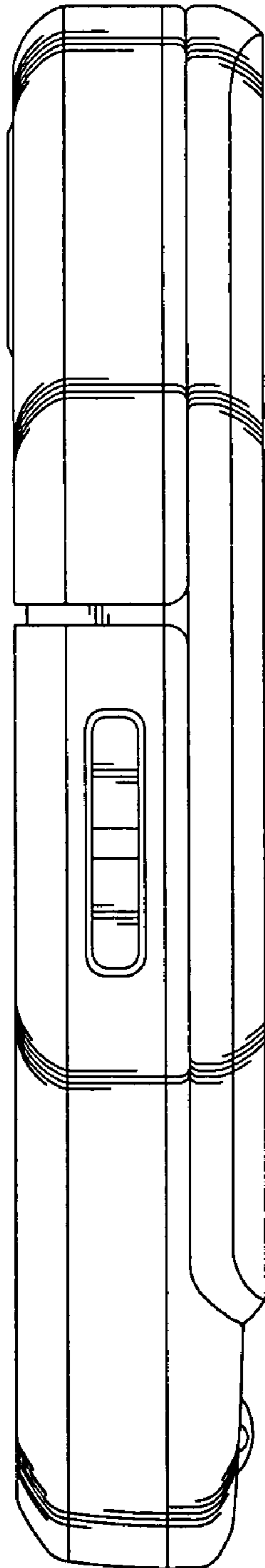


FIG. 6

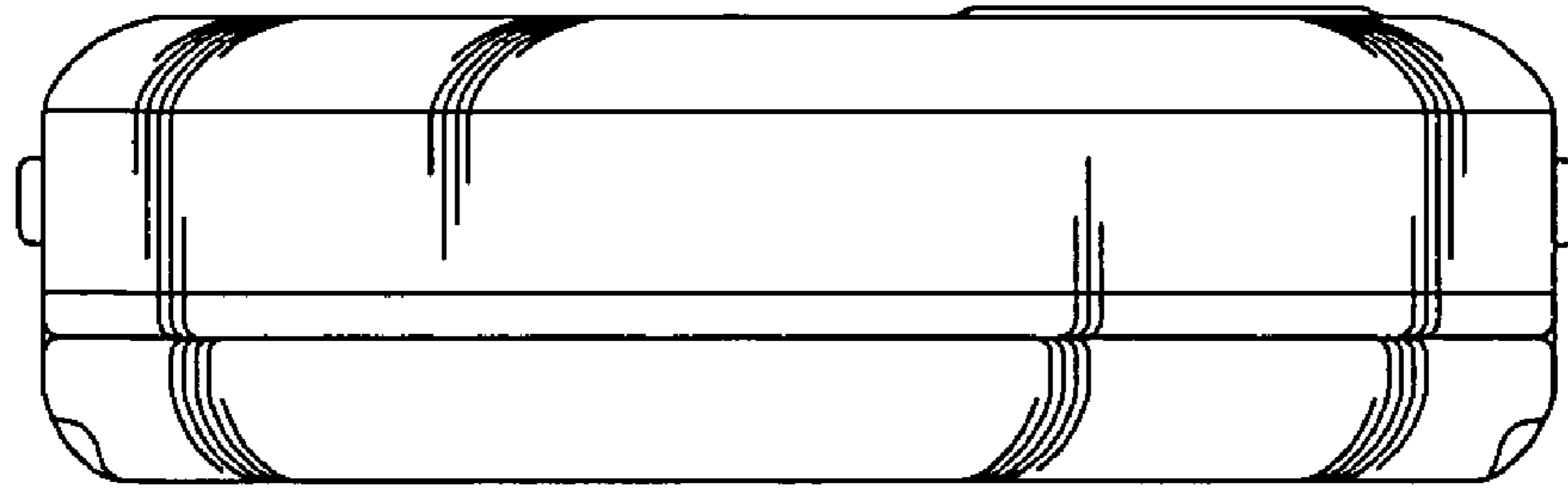


FIG. 7

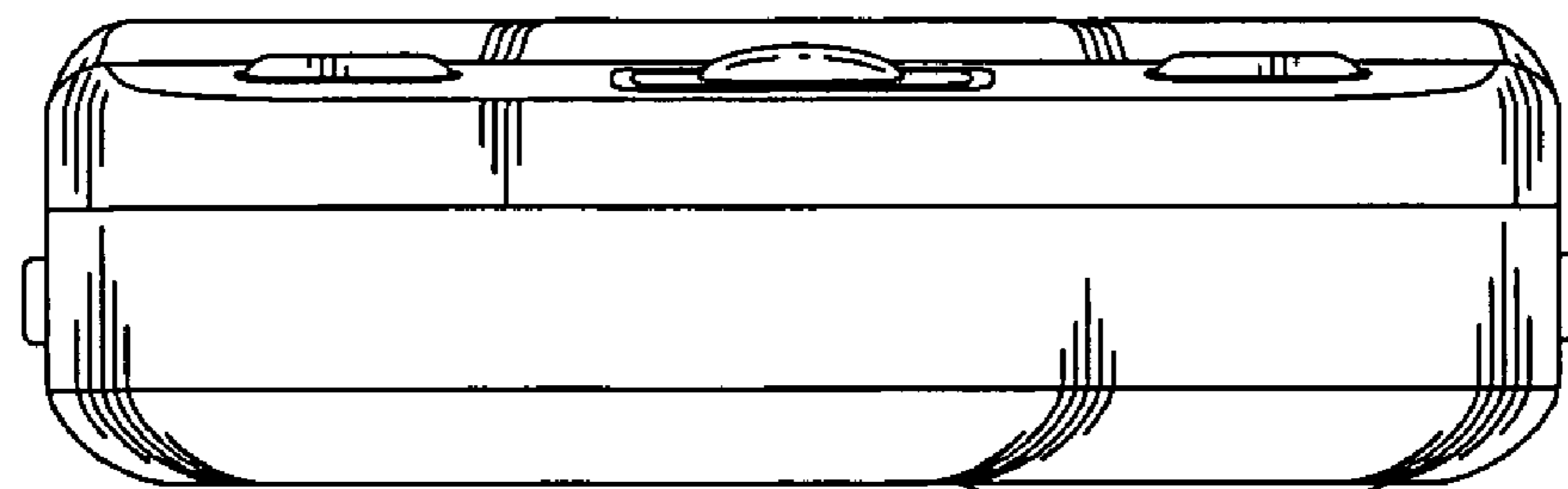


FIG. 8

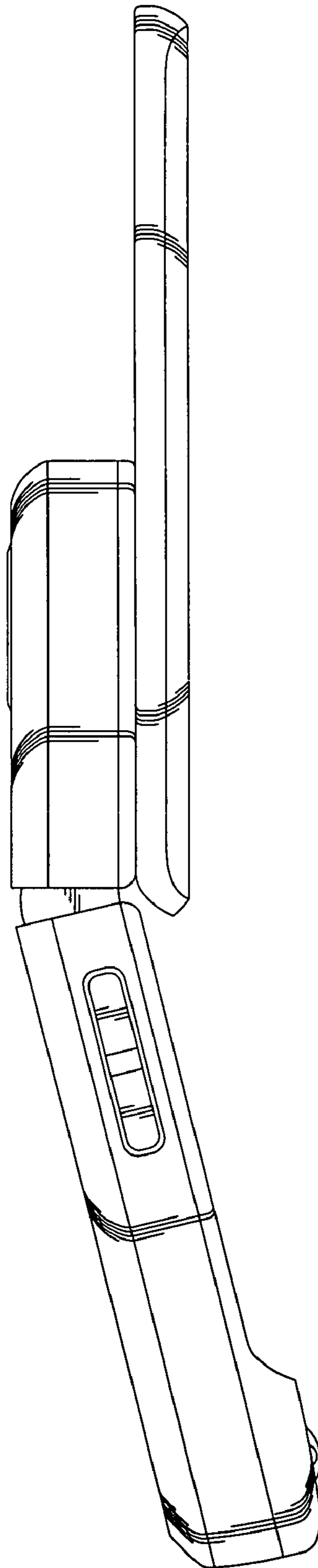




FIG. 9

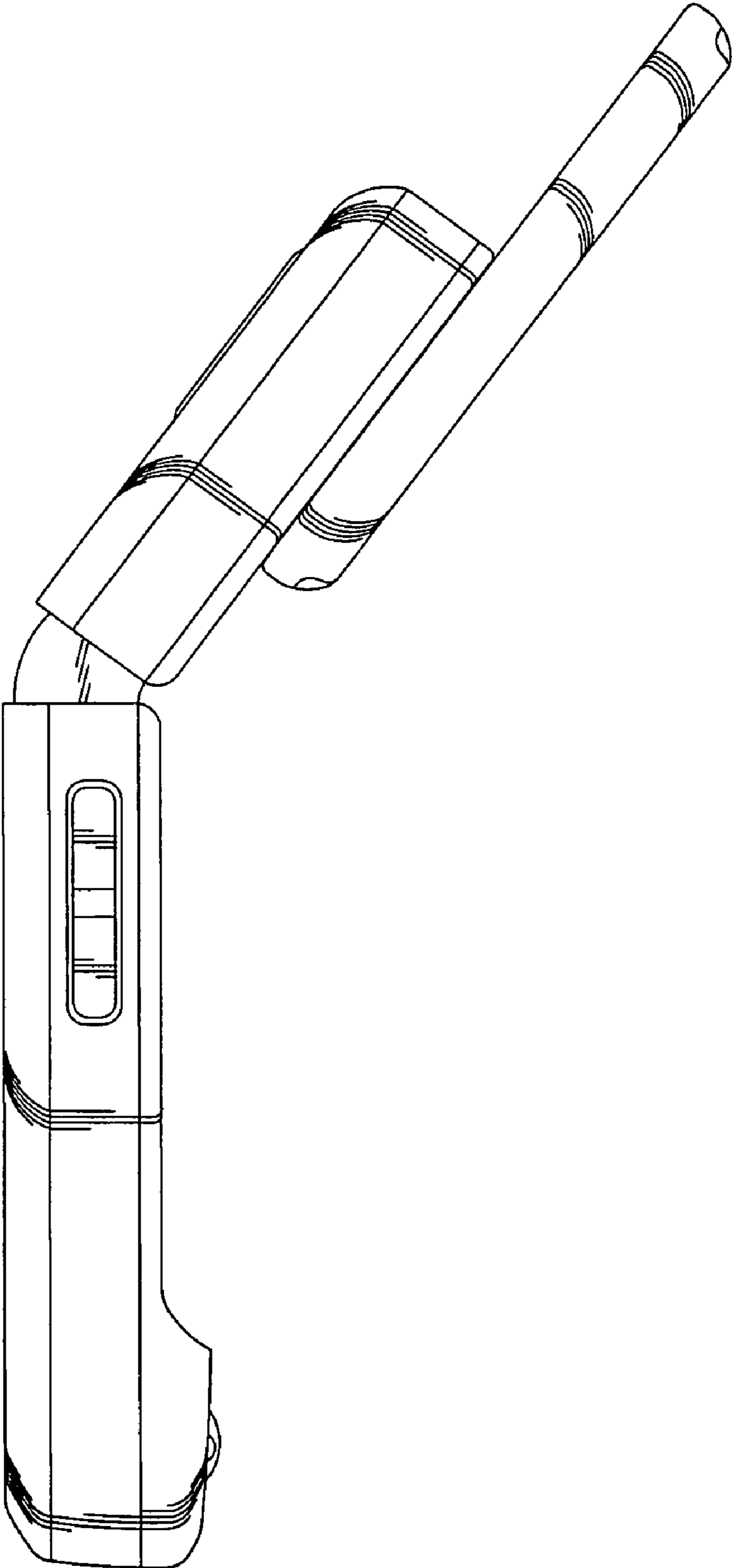


FIG. 10

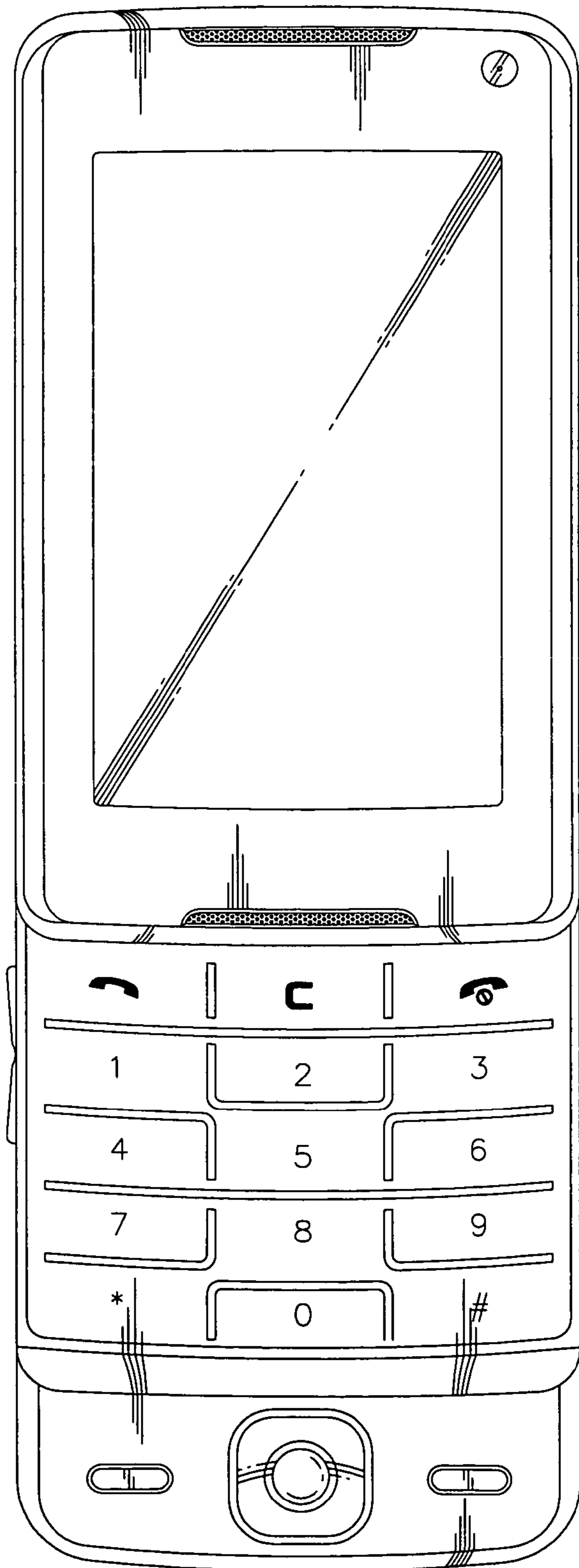


FIG. 11

