



US00D590791S

(12) **United States Design Patent**
Wolfe

(10) **Patent No.:** **US D590,791 S**

(45) **Date of Patent:** **** Apr. 21, 2009**

(54) **COMMUNICATIONS DEVICE**

(75) Inventor: **David M. Wolfe**, Nicktown, PA (US)

(73) Assignee: **Saint Francis University**, Loretto, PA (US)

(**) Term: **14 Years**

(21) Appl. No.: **29/274,859**

(22) Filed: **May 31, 2007**

(51) **LOC (9) Cl.** **14-01**

(52) **U.S. Cl.** **D14/137**

(58) **Field of Classification Search** D14/242,
D14/496, 240, 167, 302, 314, 348-358, 363,
D14/383, 433, 140-140.9, 230-235; D13/149,
D13/184; D3/201, 273, 274; 379/220.01,
379/221.09, 220.14, 25, 93.09, 93.19, 156,
379/900, 338-339, 441; 711/100, 115; 361/658,
361/725, 752; 369/272.1, 273, 75.11; 360/133,
360/79.01, 97.03; D24/234

See application file for complete search history.

(56) **References Cited**

U.S. PATENT DOCUMENTS

D335,765 S *	5/1993	VanSkiver	D3/268
D369,240 S *	4/1996	Newby, Sr.	D3/268
D417,338 S *	12/1999	Main	D3/281
D439,407 S *	3/2001	Parker	D3/276
D462,519 S *	9/2002	Gaydos et al.	D3/276

D487,970 S *	4/2004	Meier et al.	D3/281
D505,011 S *	5/2005	Einav	D3/274
6,953,126 B2 *	10/2005	Parker et al.	220/4.22
D523,242 S *	6/2006	Hardigg et al.	D3/276

* cited by examiner

Primary Examiner—Ian Simmons

Assistant Examiner—Charles D Hanson

(74) *Attorney, Agent, or Firm*—Breneman & Georges

(57) **CLAIM**

The ornamental design for a communications device, as shown and described.

DESCRIPTION

FIG. 1 is a perspective view of a communications device showing my new design;

FIG. 2 is a front elevation thereof;

FIG. 3 is a rear elevation thereof;

FIG. 4 is a left elevation thereof;

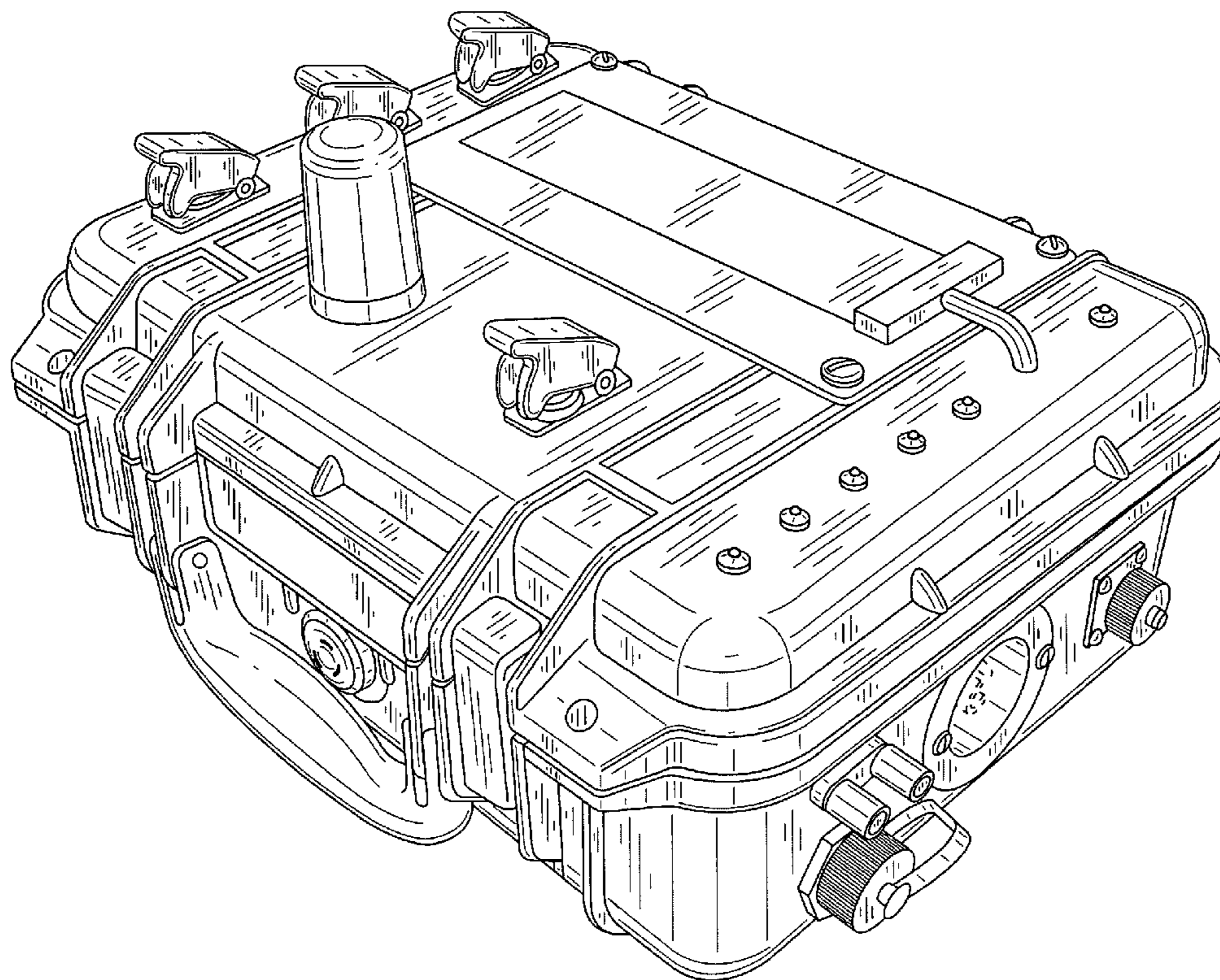
FIG. 5 is a right elevation thereof;

FIG. 6 is a top plan view thereof; and,

FIG. 7 is a bottom plan view thereof.

The broken line showing of three semicircular lines in FIG. 5 is included for the purpose of illustrating environment and forms no part of the claimed design.

1 Claim, 7 Drawing Sheets



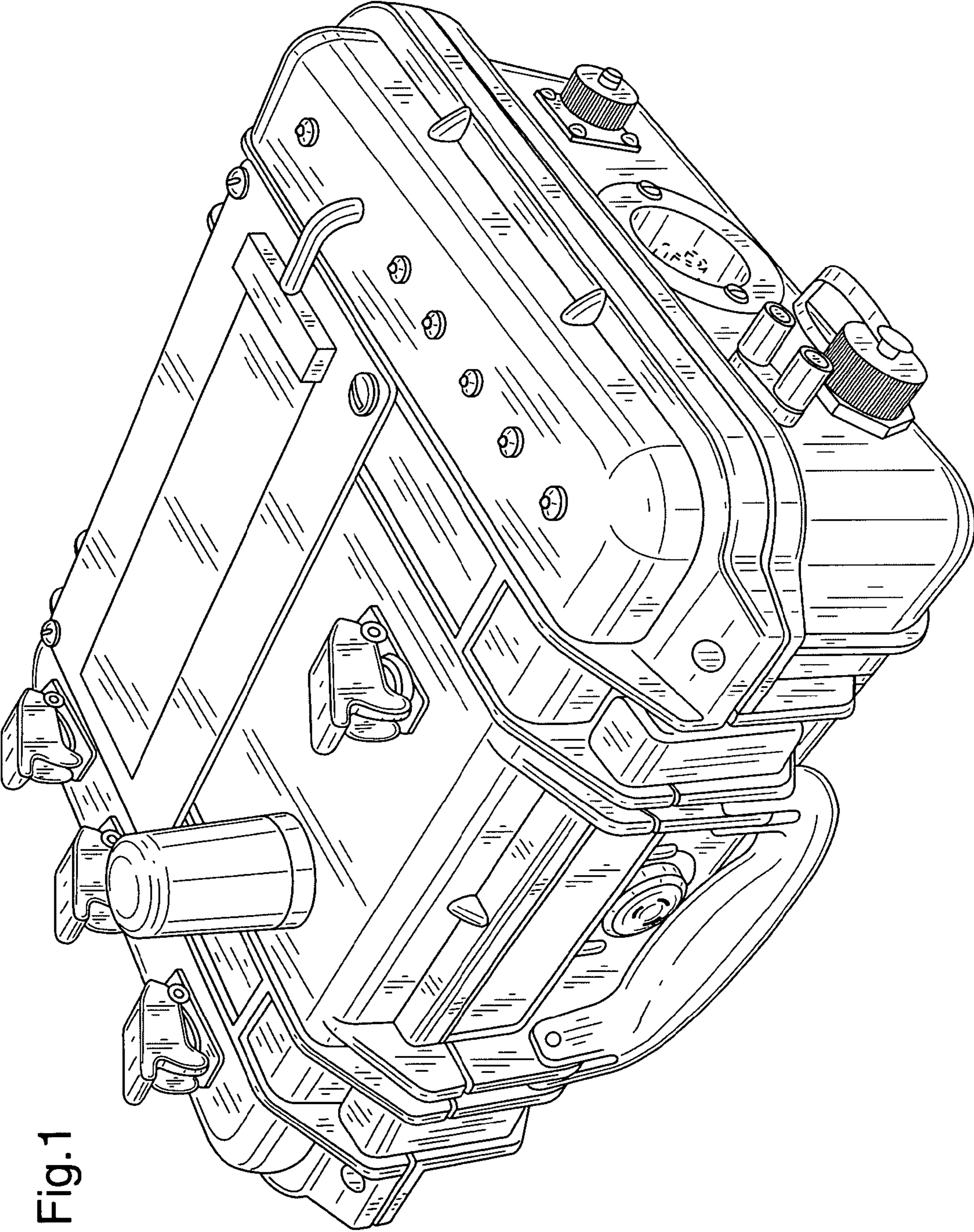


Fig.1

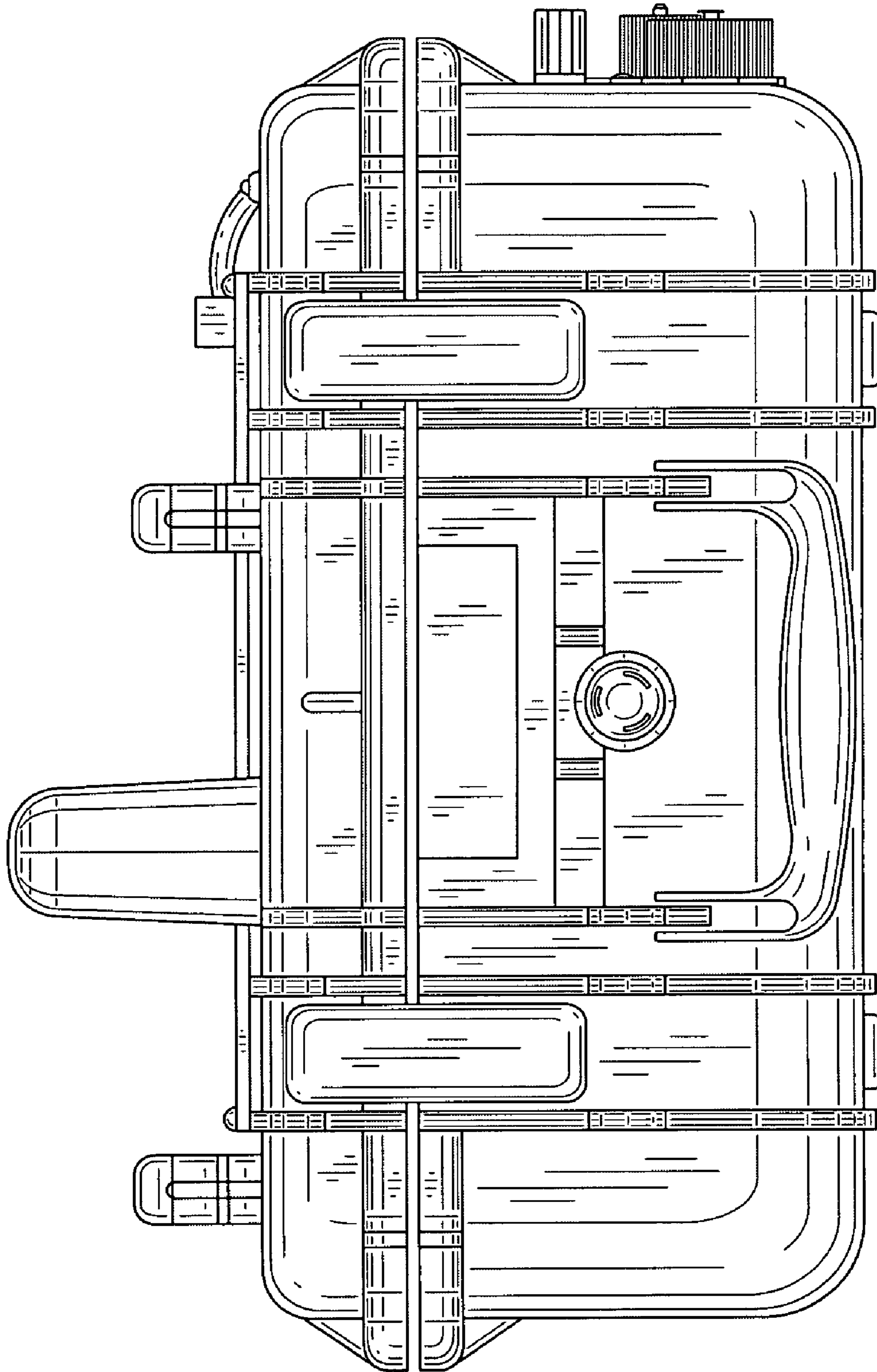


Fig.2

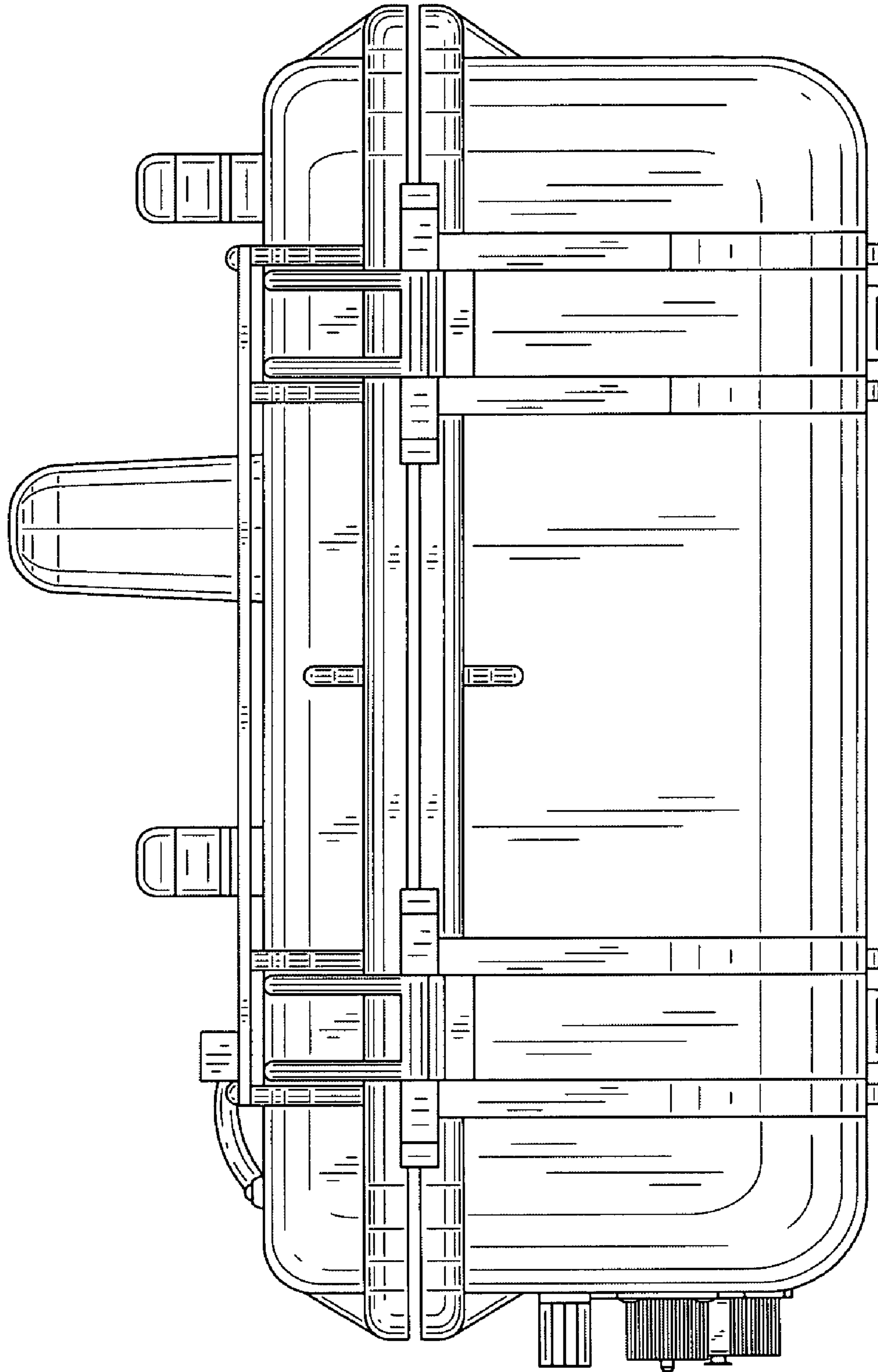


Fig.3

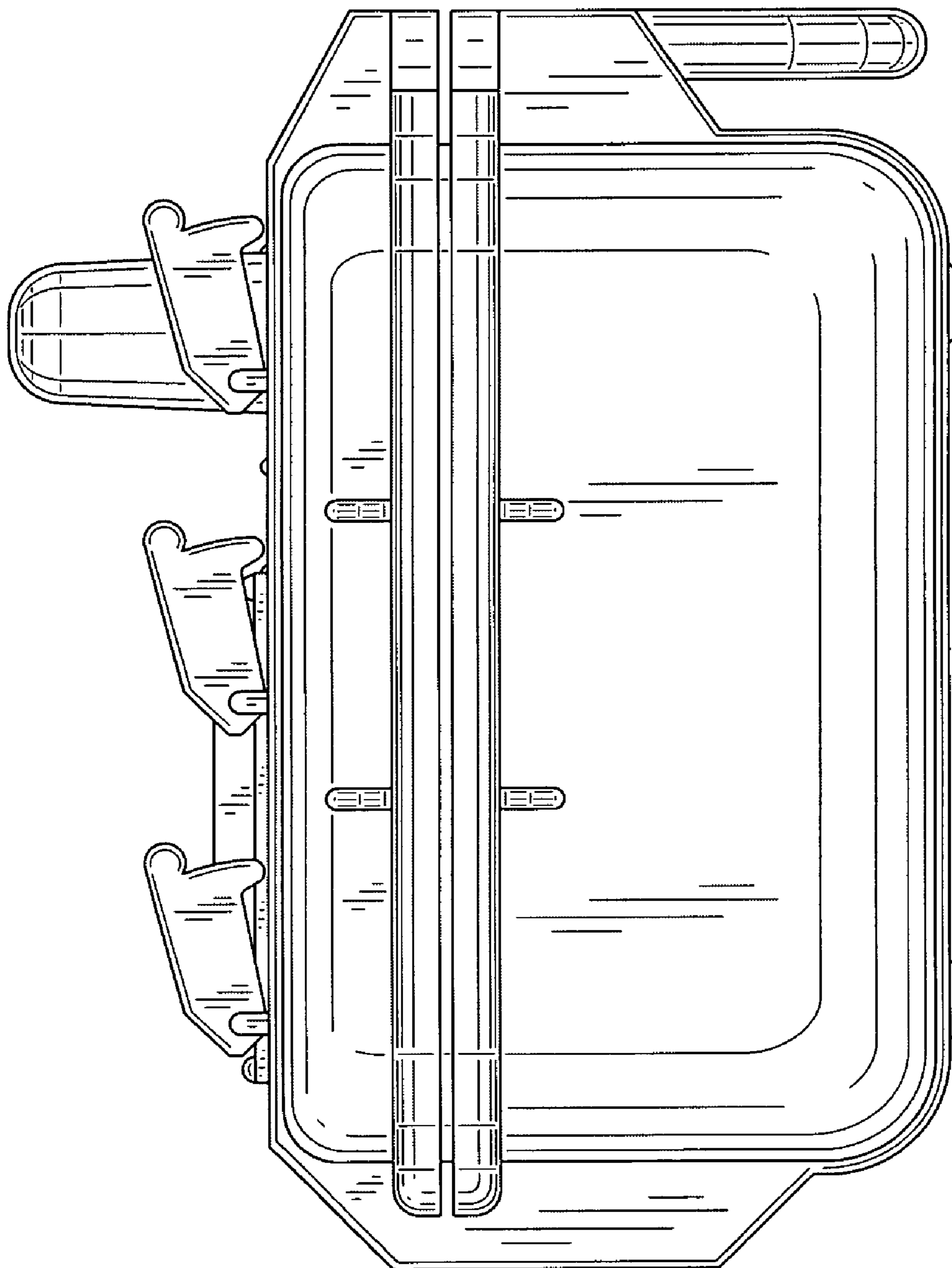


Fig.4

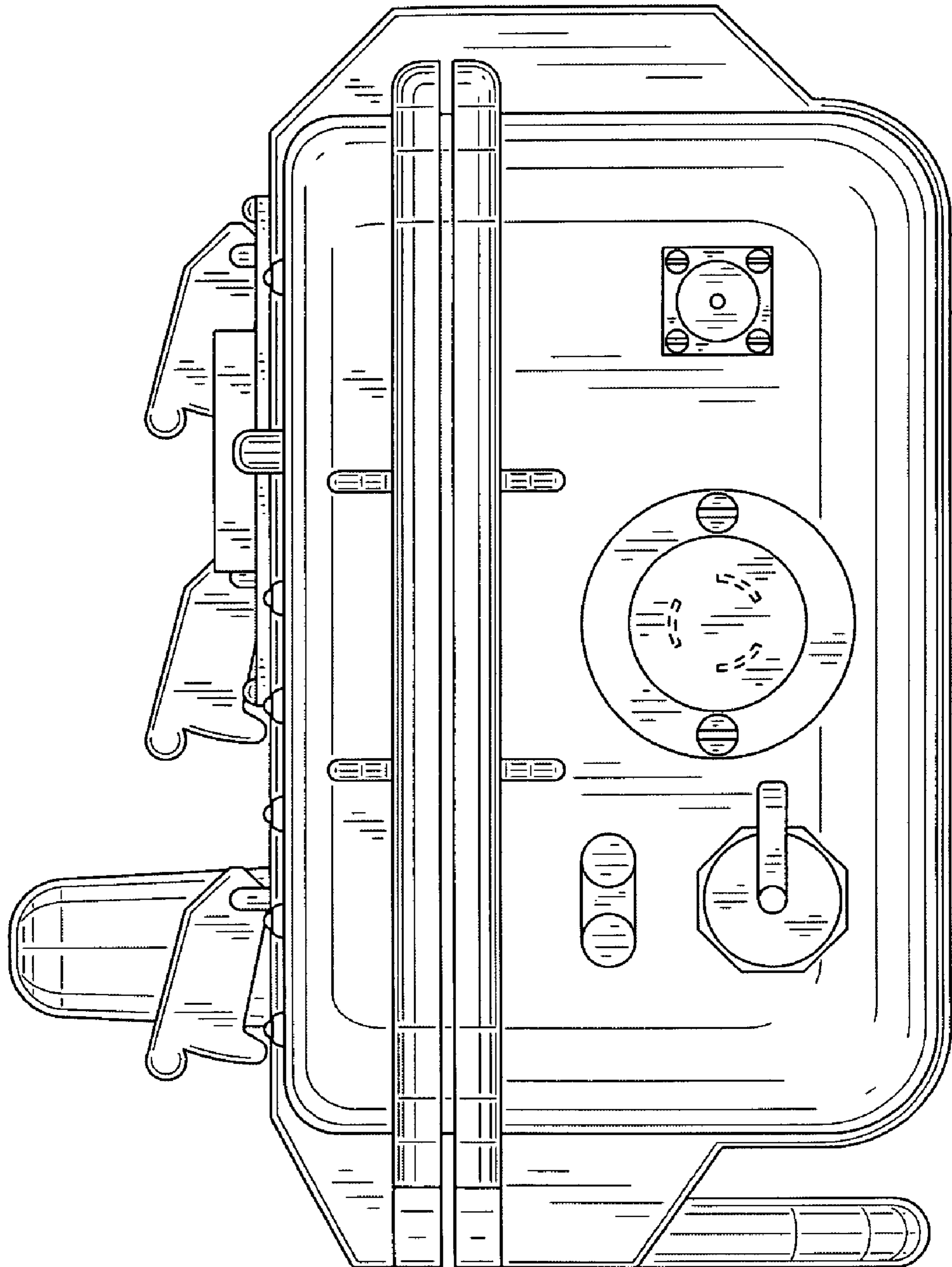


Fig.5

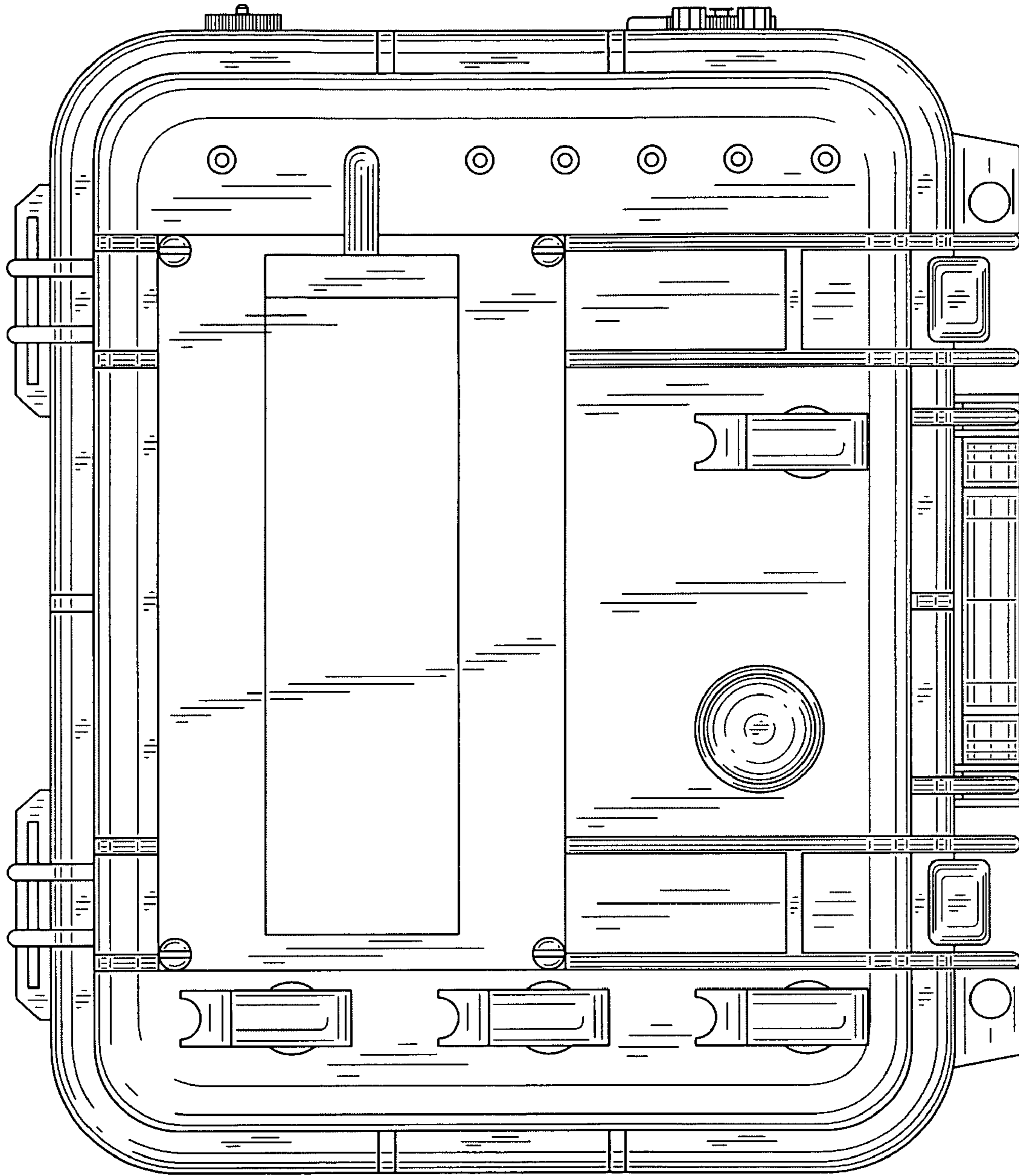


Fig.6

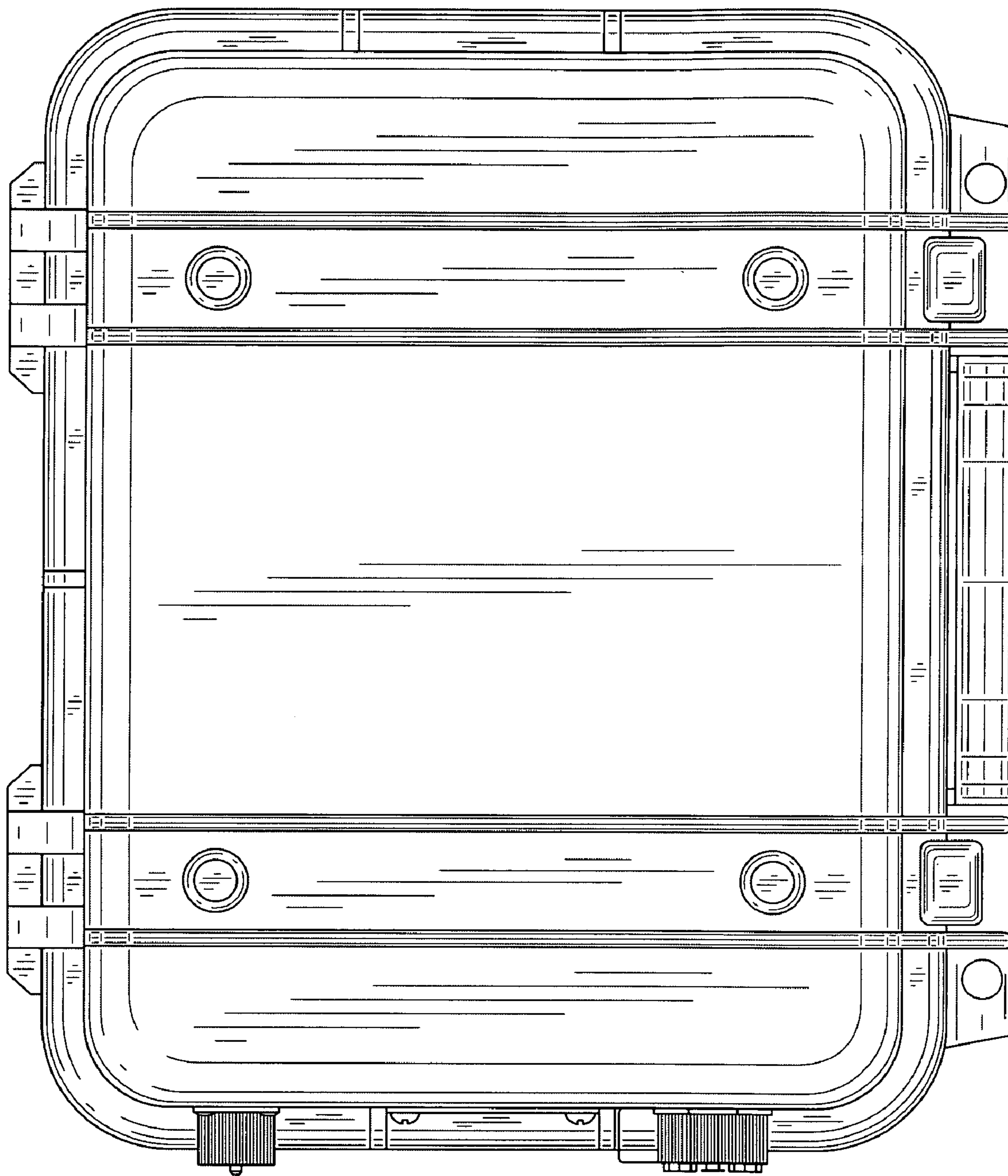


Fig. 7