



US00D590785S

(12) **United States Design Patent**  
**Yokota**

(10) **Patent No.:** **US D590,785 S**  
(45) **Date of Patent:** **\*\* Apr. 21, 2009**

(54) **TELEVISION RECEIVER**

(75) Inventor: **Hiroaki Yokota**, Tokyo (JP)

(73) Assignee: **Sony Corporation**, Tokyo (JP)

(\*\*) Term: **14 Years**

(21) Appl. No.: **29/290,473**

(22) Filed: **Dec. 10, 2007**

(30) **Foreign Application Priority Data**

Jun. 13, 2007 (JP) ..... D2007-015724

(51) **LOC (9) Cl.** ..... **14-03**

(52) **U.S. Cl.** ..... **D14/126**

(58) **Field of Classification Search** ..... D14/125-134,  
D14/239, 371, 136, 374-377, 440, 450, 448,  
D14/336, 342; 312/7.2; 348/836, 838, 180,  
348/184, 325, 739; 341/12; 248/917-924,  
248/465; 345/104, 133, 156, 168, 87, 173;  
720/605, 669, 600, 655; 369/99, 197; 455/344,  
455/347; D21/329, 515, 577, 622, 333, 433,  
D21/448, 452, 450, 331; D6/477, 479; 273/148 B;  
446/484, 175, 356; D10/15, 26  
See application file for complete search history.

(56) **References Cited**

**U.S. PATENT DOCUMENTS**

- D344,933 S \* 3/1994 Wiseman et al. .... D14/375
- D349,489 S \* 8/1994 Wang ..... D14/375
- D383,739 S \* 9/1997 Gilgen ..... D14/126
- D410,447 S \* 6/1999 Chang ..... D14/126
- 6,015,120 A \* 1/2000 Sweere et al. .... 248/123.11
- D453,022 S 1/2002 Oba
- 6,657,853 B2 \* 12/2003 Oba et al. .... 361/680
- 6,873,521 B2 \* 3/2005 Landry et al. .... 312/223.2
- D510,088 S \* 9/2005 Jobs et al. .... D14/371
- D512,424 S \* 12/2005 Kim ..... D14/375
- D521,996 S \* 5/2006 Kim et al. .... D14/375

- D526,291 S 8/2006 Anzures
- D537,323 S \* 2/2007 Saez ..... D8/363
- 7,177,144 B2 \* 2/2007 Ha et al. .... 361/681
- D539,273 S 3/2007 Fujii
- D545,313 S \* 6/2007 Kim ..... D14/375
- D545,315 S \* 6/2007 Kim ..... D14/375
- 7,258,311 B2 \* 8/2007 Yen et al. .... 248/133
- D554,639 S \* 11/2007 Kim et al. .... D14/375
- D556,756 S \* 12/2007 Kataoka et al. .... D14/375

**FOREIGN PATENT DOCUMENTS**

- JP D1155176 S 10/2002
- JP D1176244 S 6/2003
- JP D1221477 S 11/2004
- KR D30-0334382 S 10/2003

\* cited by examiner

*Primary Examiner*—Raphael Barkai

(74) *Attorney, Agent, or Firm*—Rader, Fishman & Grauer, PLLC

(57) **CLAIM**

The ornamental design for a television receiver, as shown and described.

**DESCRIPTION**

FIG. 1 is a front perspective view of a television receiver showing my new design;

FIG. 2 is a front elevational view thereof;

FIG. 3 is a rear elevational view thereof;

FIG. 4 is a left side elevational view thereof;

FIG. 5 is a right side elevational view thereof;

FIG. 6 is a top plan view thereof;

FIG. 7 is a bottom plan view thereof; and,

FIG. 8 is a rear perspective view thereof.

The portions indicated in broken lines are for illustrative purposes only and form no part of the claimed design.

**1 Claim, 8 Drawing Sheets**

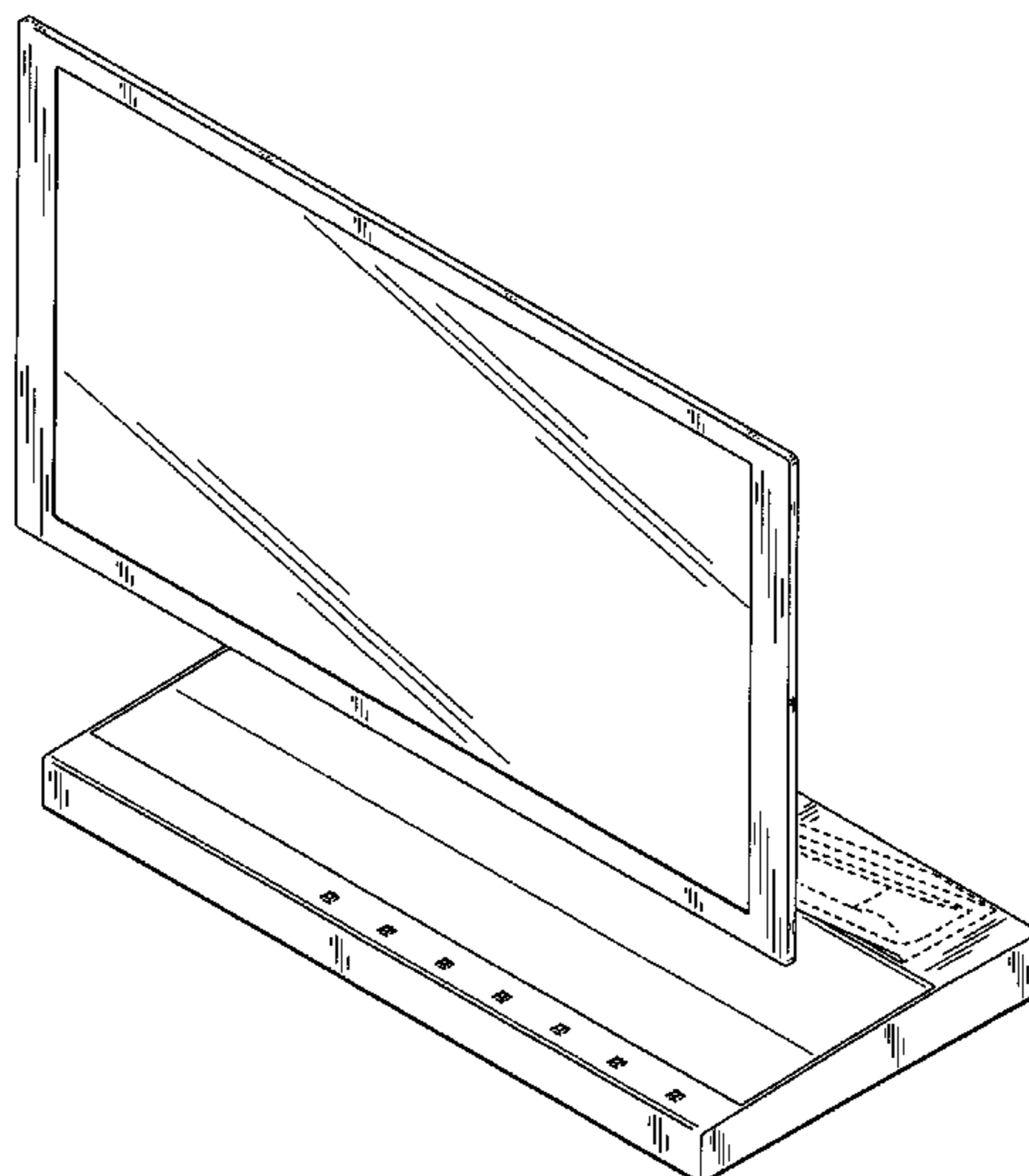
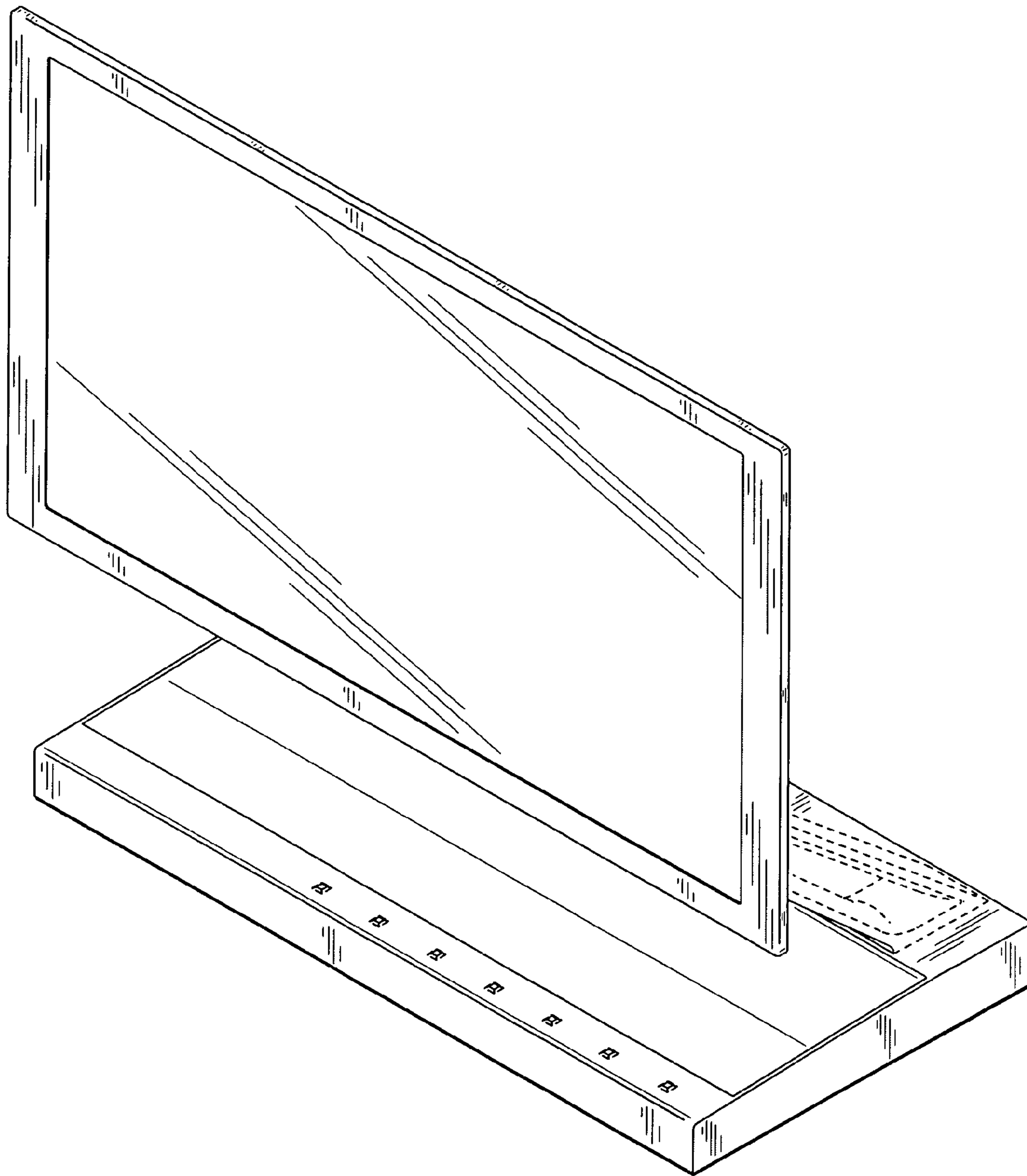


FIG.1



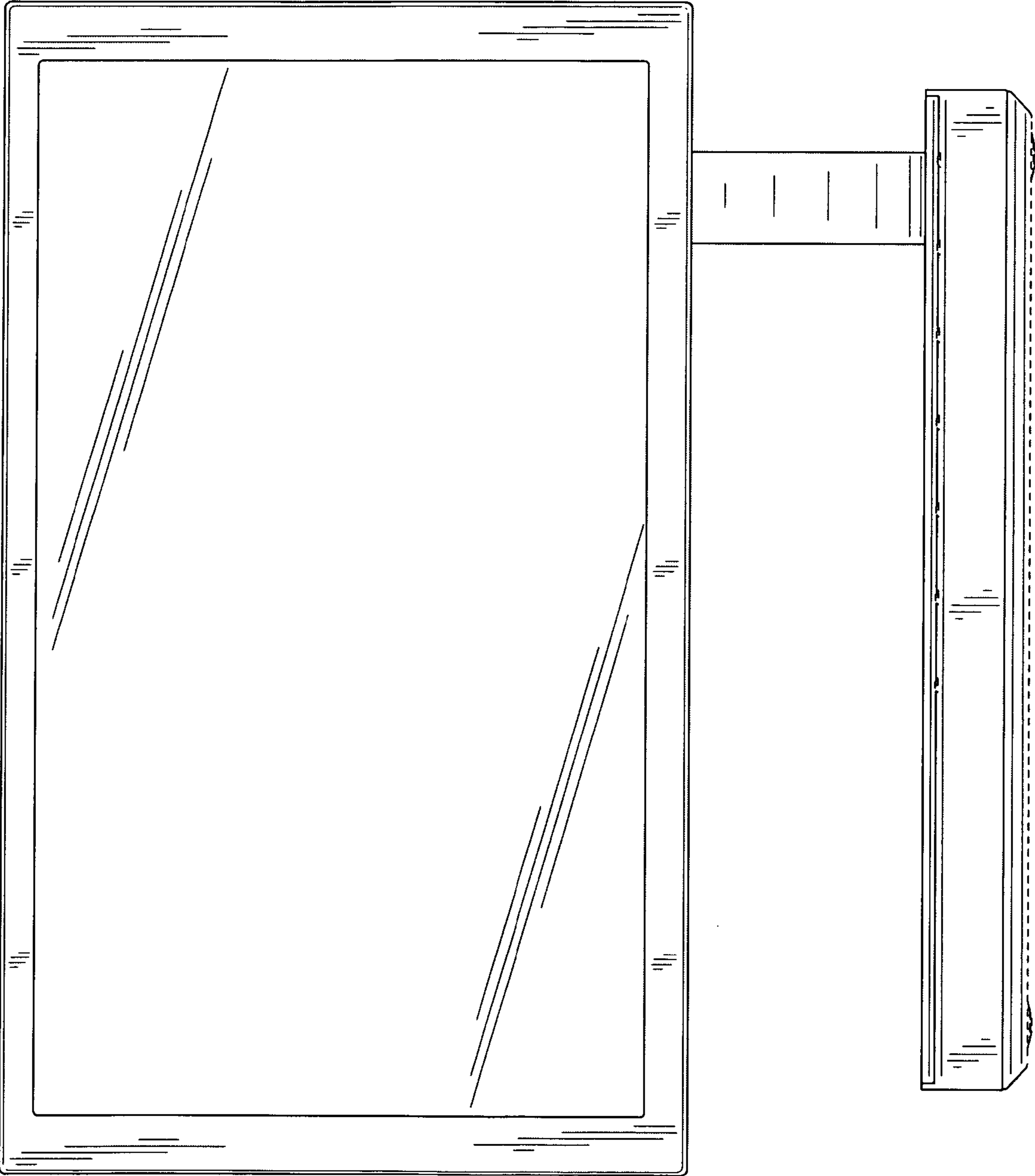


FIG.2

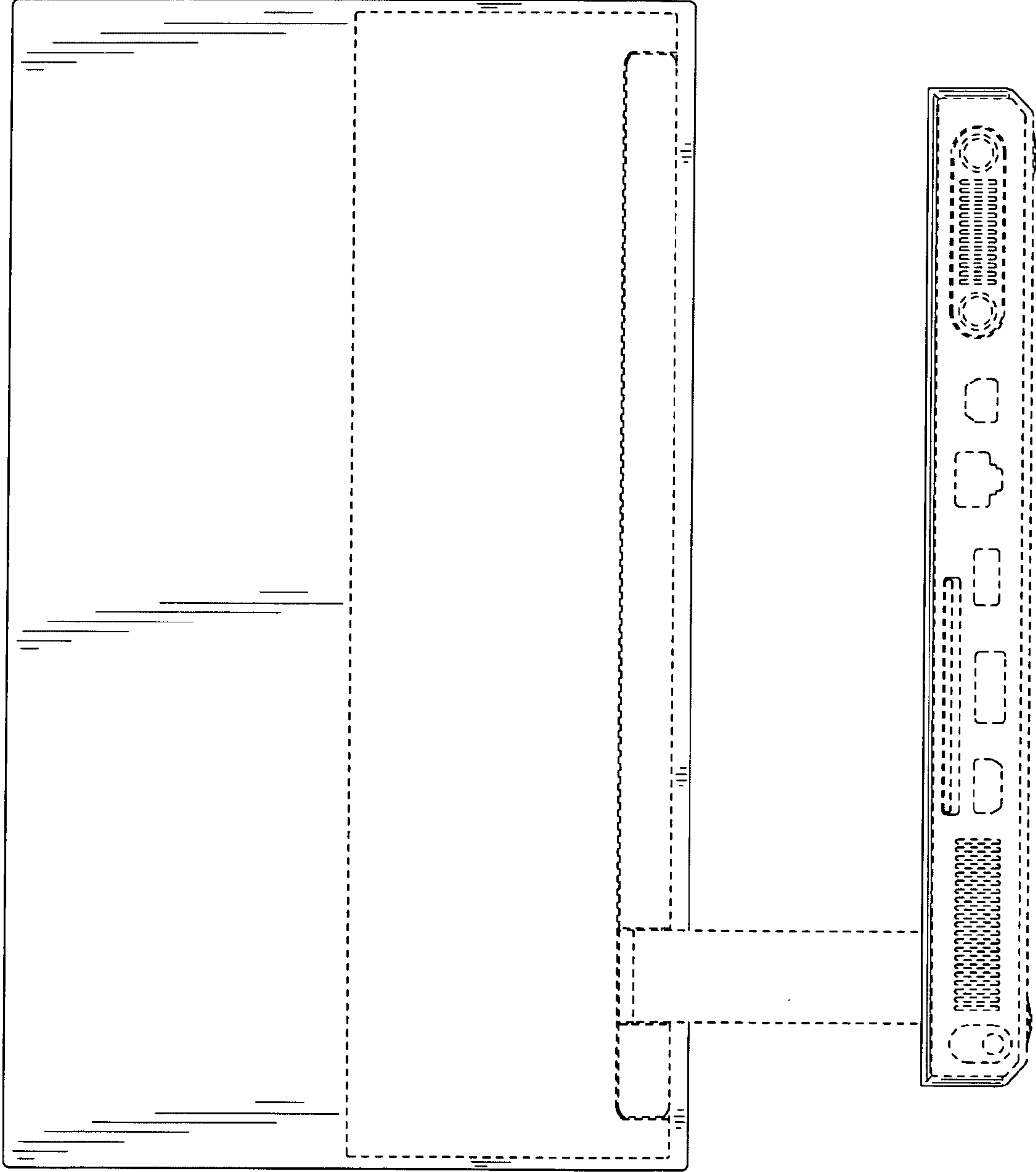


FIG.3

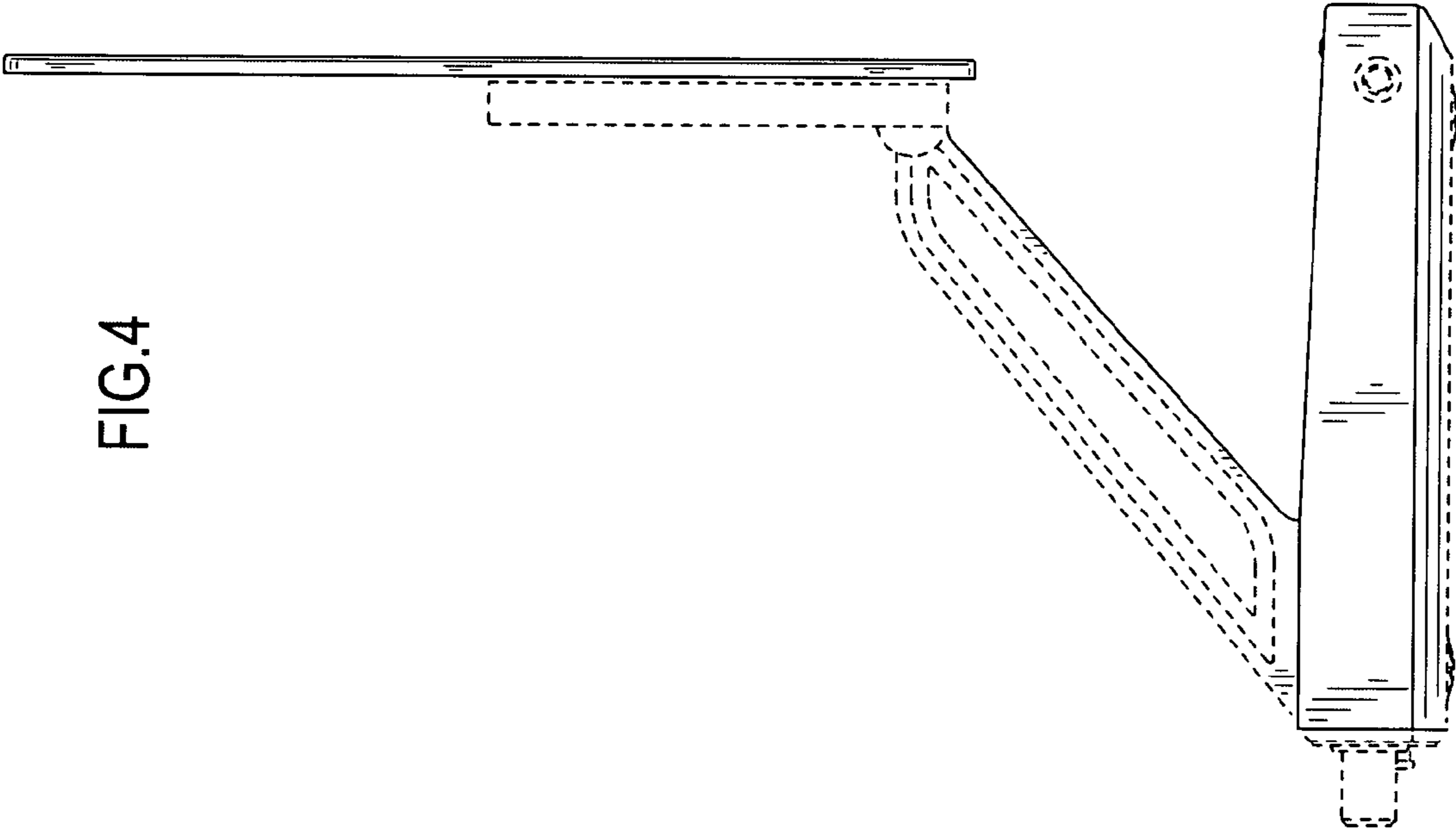


FIG.4

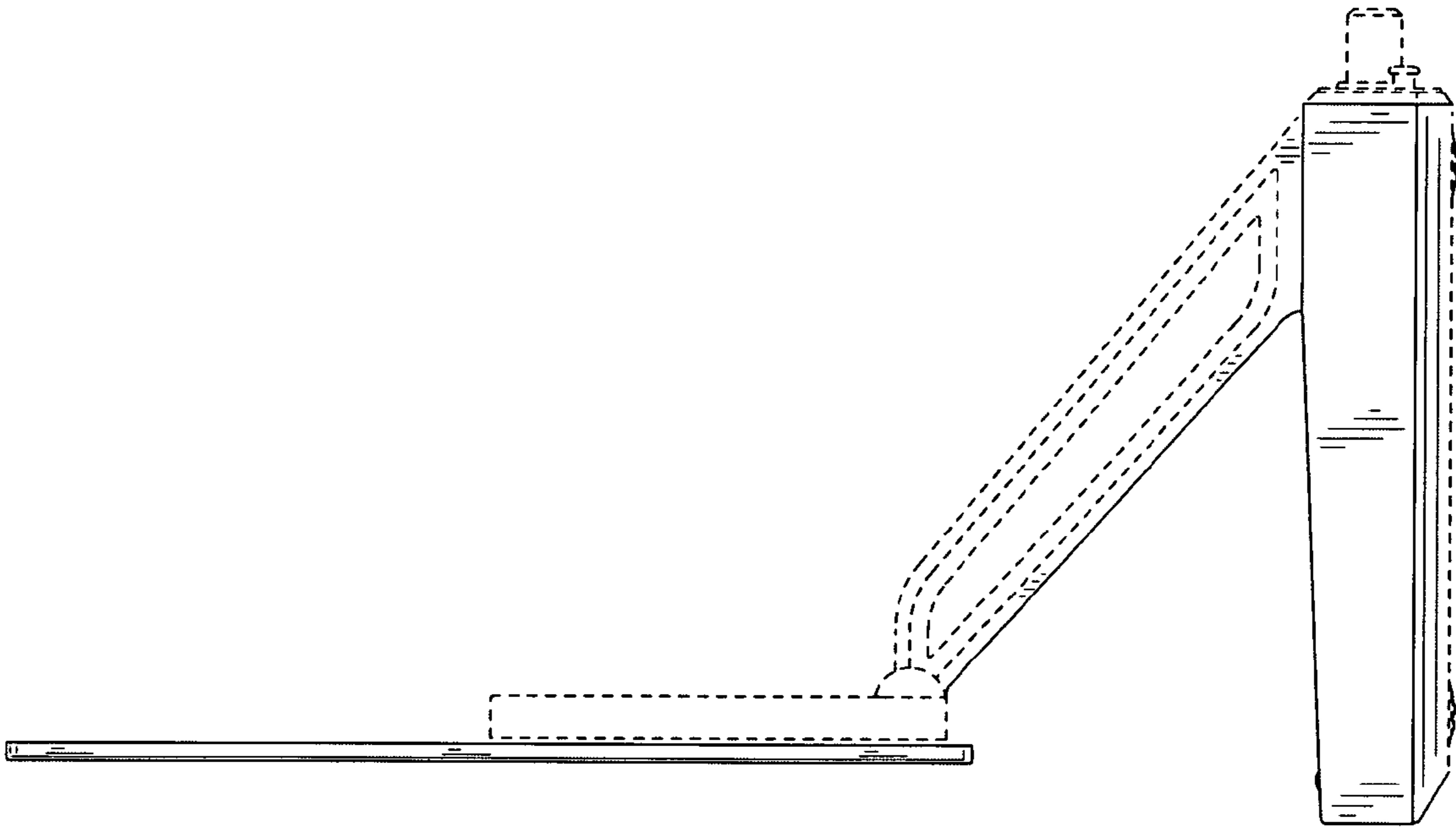


FIG.5

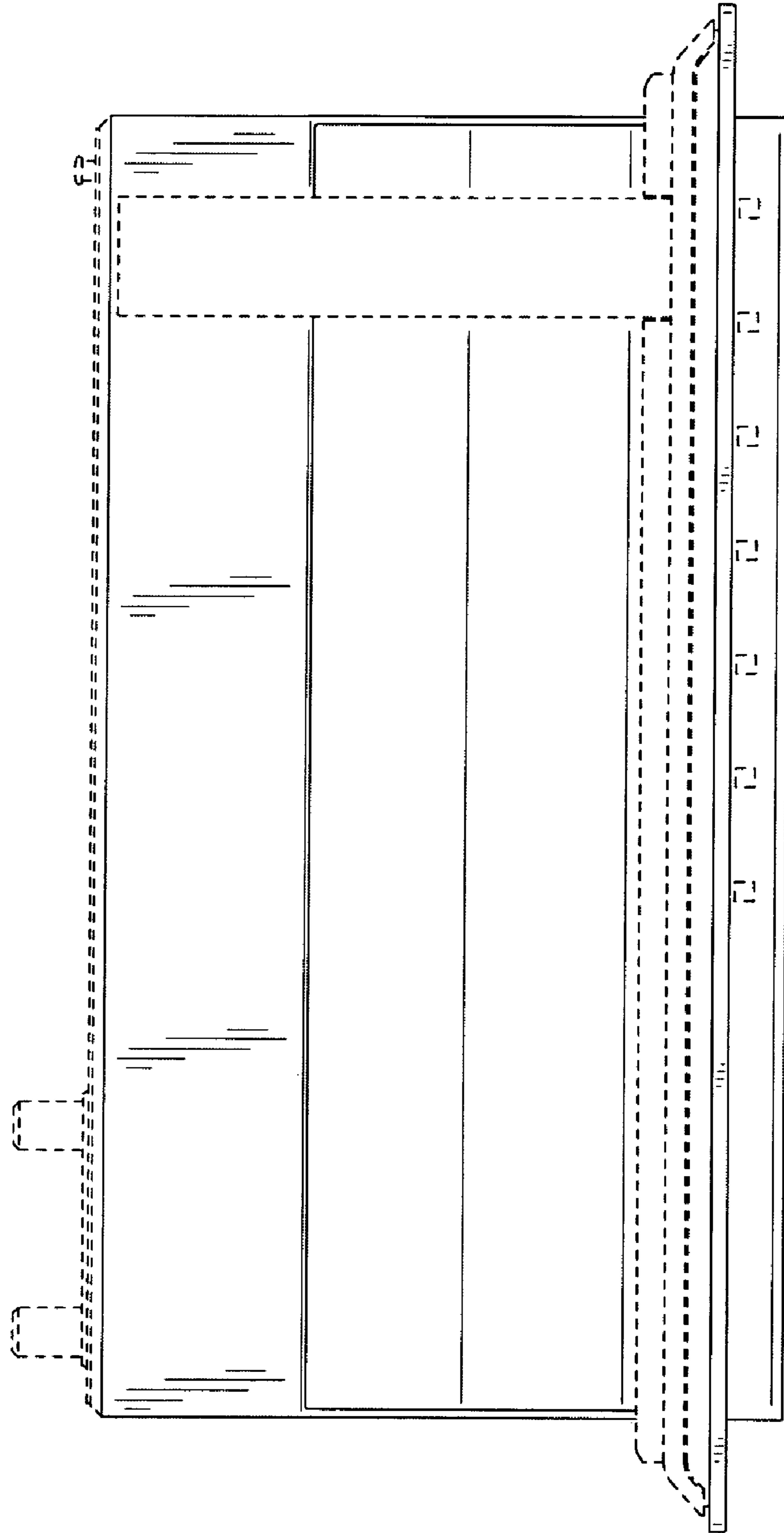


FIG.6

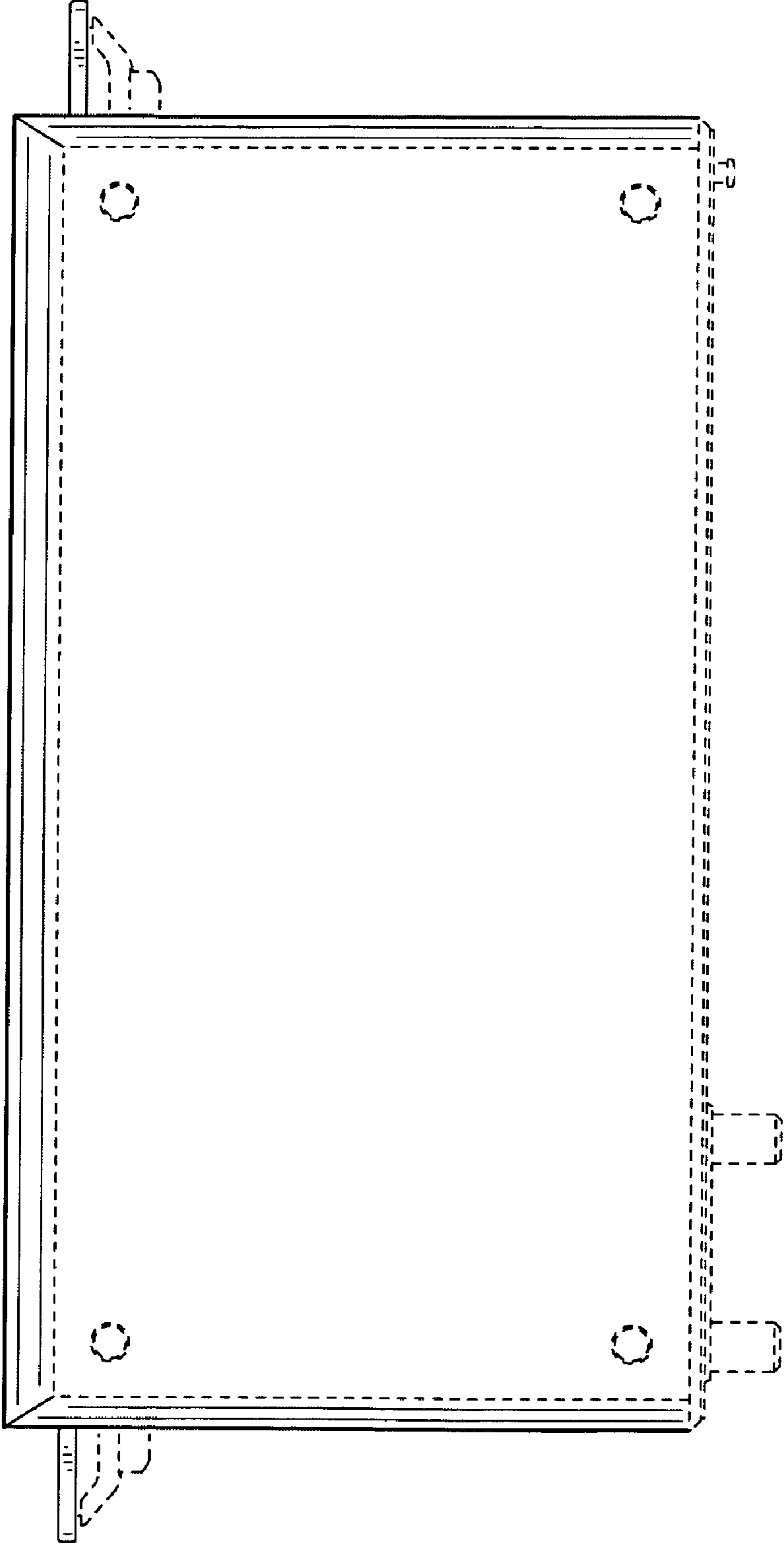


FIG.7



