



US00D590777S

(12) **United States Design Patent**  
**Tanaka**

(10) **Patent No.:** **US D590,777 S**  
(45) **Date of Patent:** **\*\* Apr. 21, 2009**

(54) **ELECTRICAL CONNECTOR**

(75) Inventor: **Kouichirou Tanaka**, Tokyo (JP)

(73) Assignee: **I-Pex Co., Ltd.** (JP)

(\*\*) Term: **14 Years**

(21) Appl. No.: **29/320,857**

(22) Filed: **Jul. 7, 2008**

(30) **Foreign Application Priority Data**

Mar. 7, 2008 (JP) ..... 2008-5667

(51) **LOC (9) Cl.** ..... **13-03**

(52) **U.S. Cl.** ..... **D13/147**

(58) **Field of Classification Search** ..... D13/146-147,  
D13/154, 184; 439/160, 260, 492-499, 660,  
439/680, 607-610

See application file for complete search history.

(56) **References Cited**

**U.S. PATENT DOCUMENTS**

D456,779 S \* 5/2002 Igarashi ..... D13/147

D480,052 S \* 9/2003 Hisamatsu et al. .... D13/147

D497,345 S \* 10/2004 Kimura et al. .... D13/147

D497,594 S \* 10/2004 Hisamatsu et al. .... D13/147

**FOREIGN PATENT DOCUMENTS**

JP 1319086 1/2008

\* cited by examiner

*Primary Examiner*—Daniel D Bui

(74) *Attorney, Agent, or Firm*—Studebaker & Brackett PC;  
Donald R. Studebaker

(57) **CLAIM**

The ornamental design for an electrical connector, as shown and described.

**DESCRIPTION**

FIG. 1 is a front, top and right side perspective view of an electrical connector showing my new design;

FIG. 2 is a top plan view thereof;

FIG. 3 is a bottom plan view thereof;

FIG. 4 is a front view thereof;

FIG. 5 is a rear view thereof;

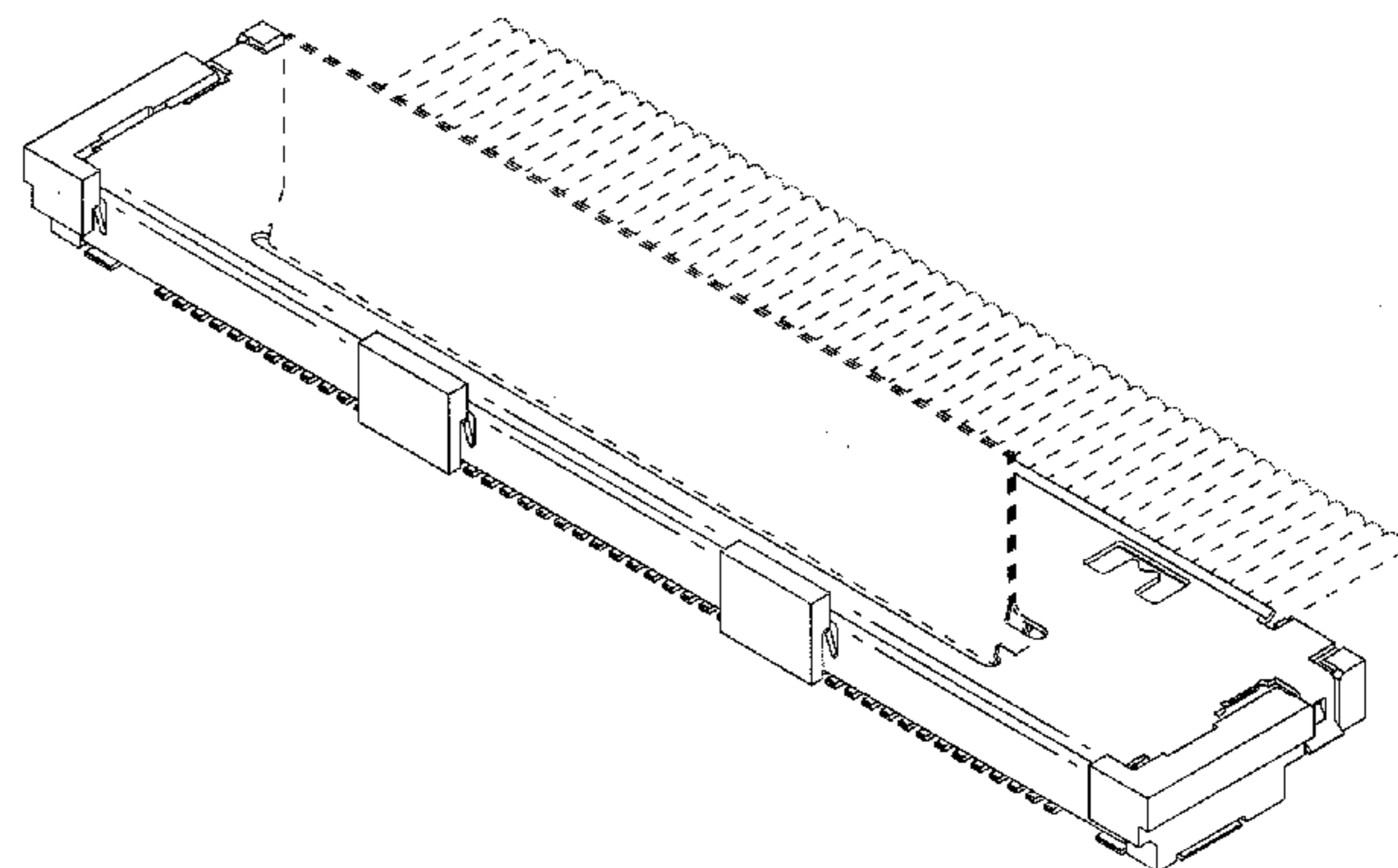
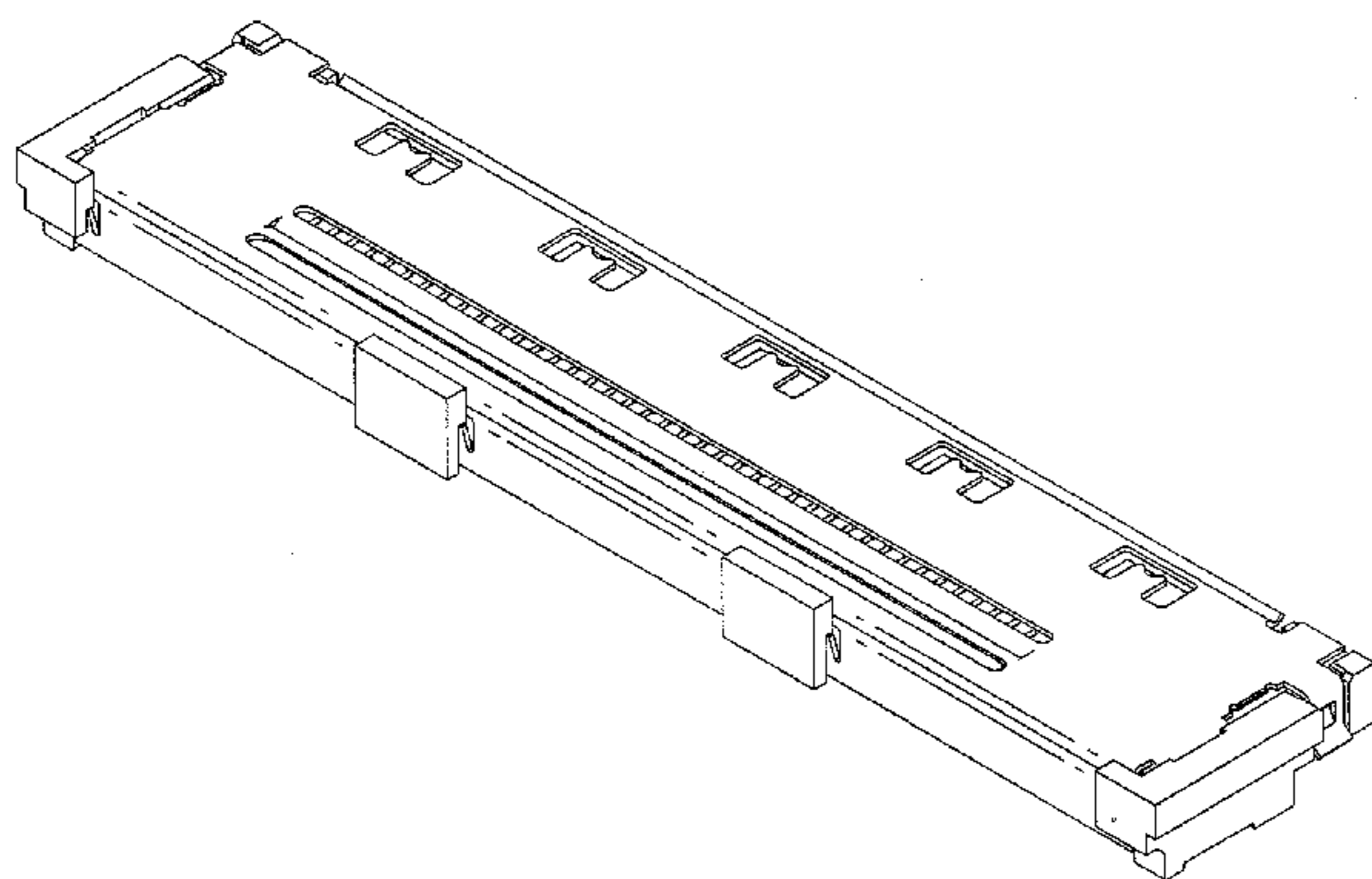
FIG. 6 is a right side view thereof, the left side view is a mirror image thereto;

FIG. 7 is a front, bottom and right side perspective view thereof, in use condition; and,

FIG. 8 is a front, top and right side perspective view thereof, in use condition.

The broken line of the environment shown in FIGS. 7 and 8 is unclaimed subject matter and forms no part of the claimed design.

**1 Claim, 5 Drawing Sheets**



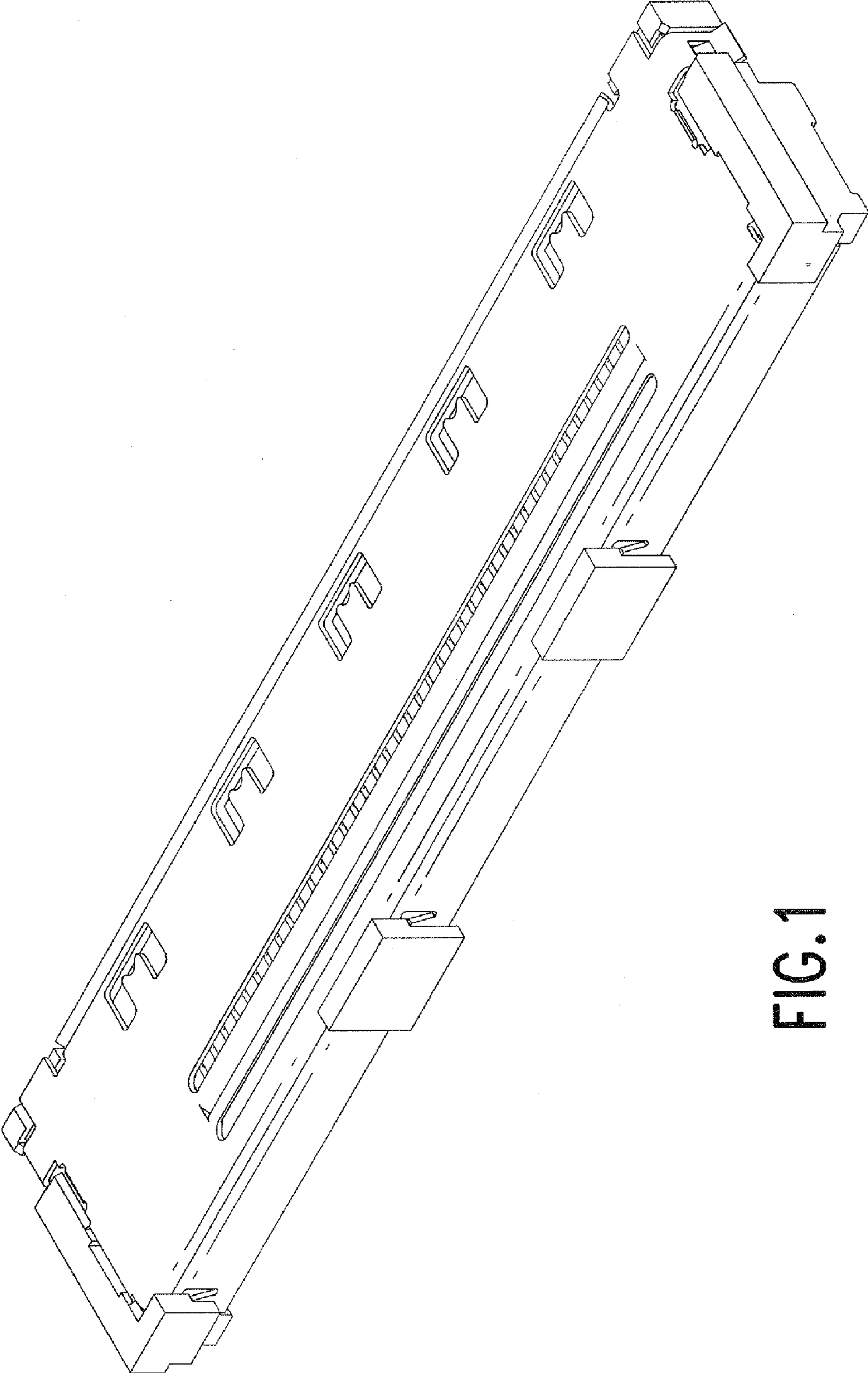


FIG.1

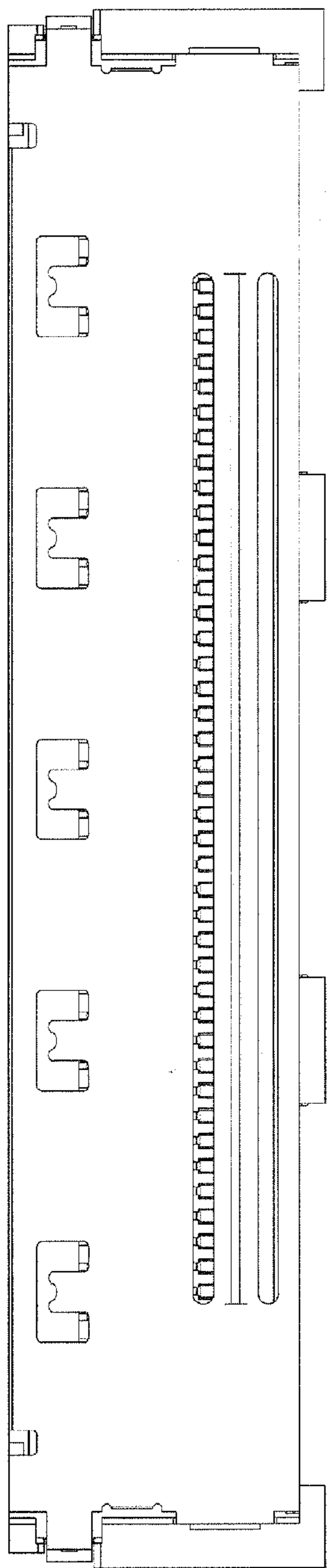


FIG. 2

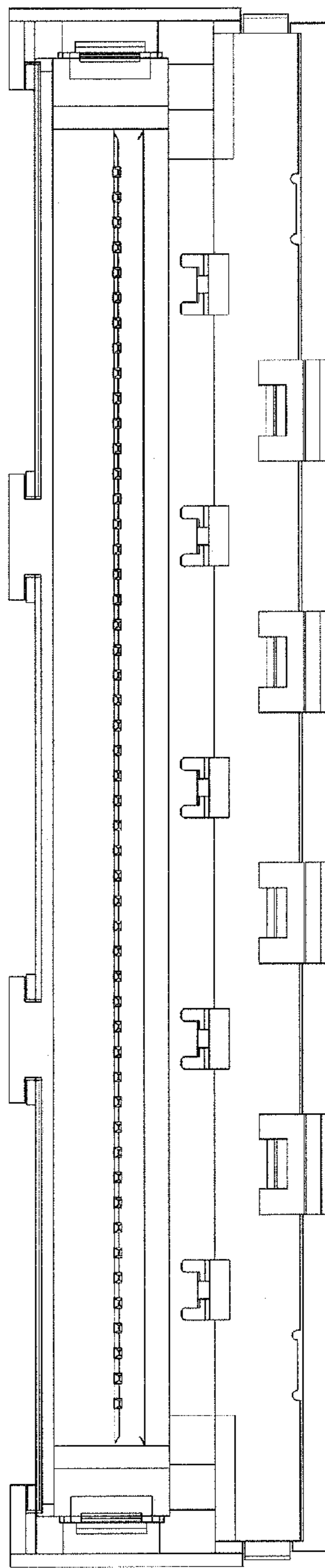


FIG. 3

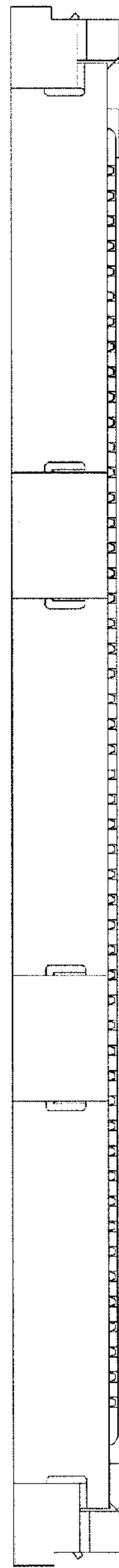


FIG. 4

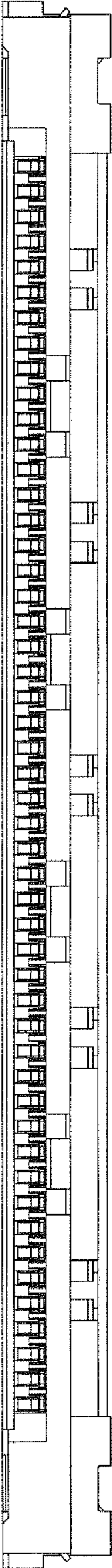


FIG. 5

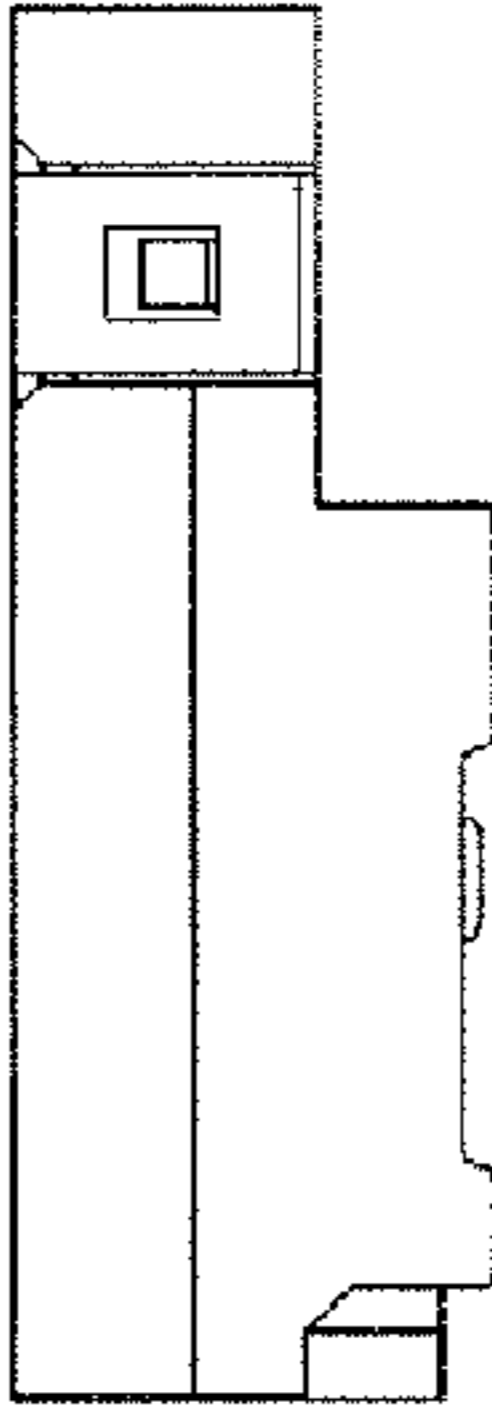


FIG. 6

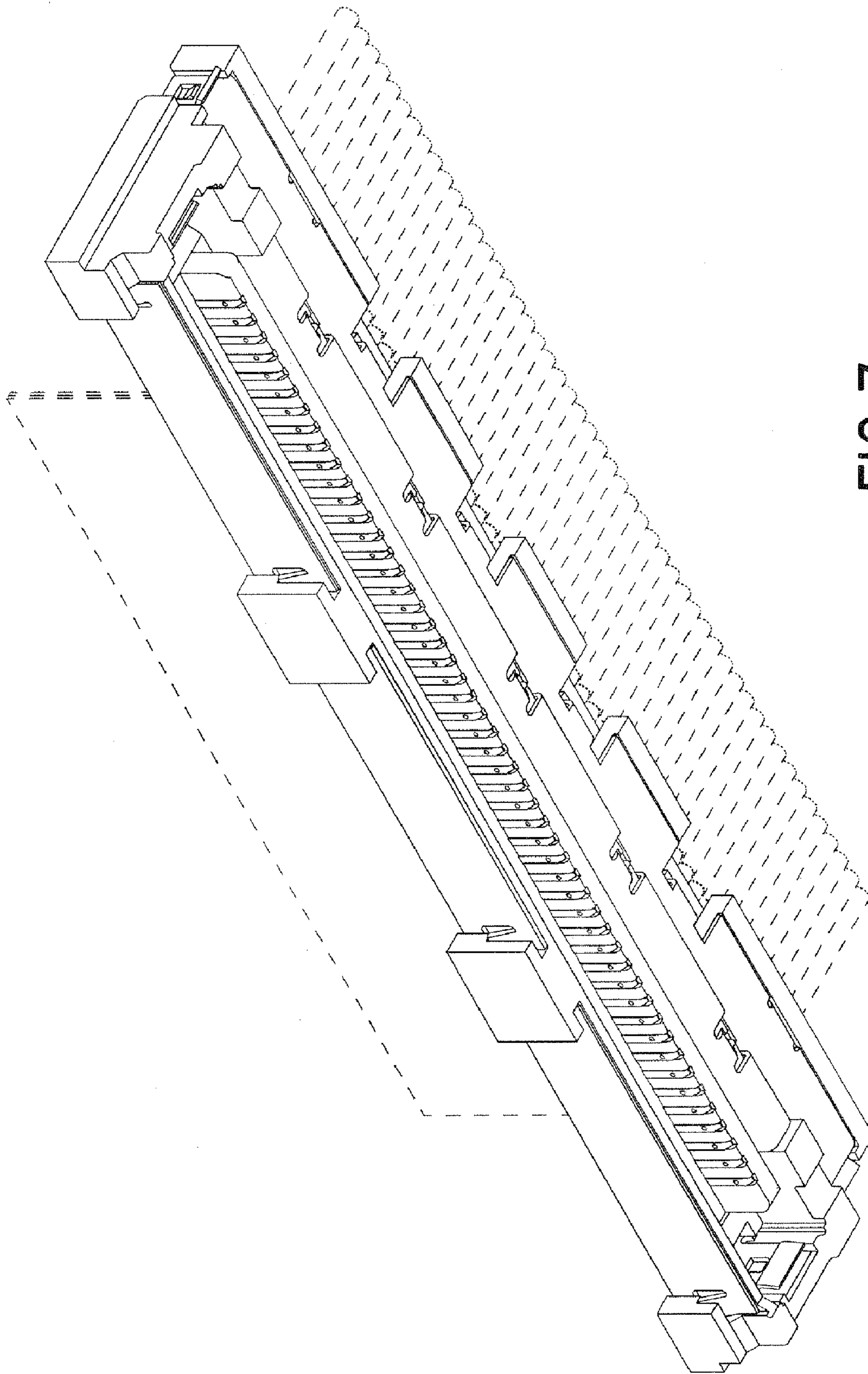


FIG. 7

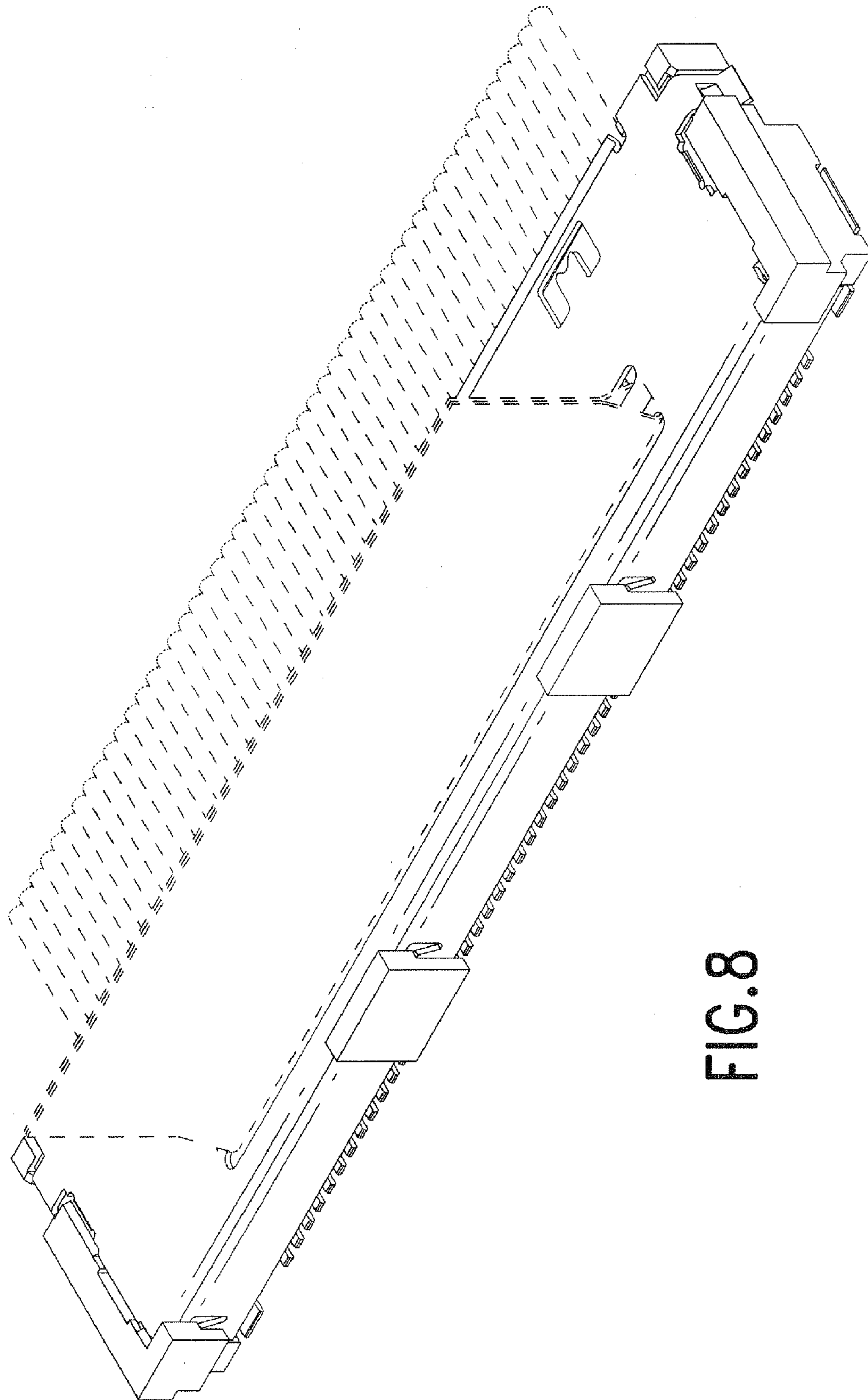


FIG. 8