



US00D590776S

(12) **United States Design Patent**
Kondo

(10) **Patent No.:** **US D590,776 S**
(45) **Date of Patent:** **** Apr. 21, 2009**

(54) **ELECTRICAL CONNECTOR**

(75) Inventor: **Hayato Kondo, Yao (JP)**

(73) Assignee: **Hosiden Corporation, Osaka (JP)**

(**) Term: **14 Years**

(21) Appl. No.: **29/305,312**

(22) Filed: **Mar. 18, 2008**

(30) **Foreign Application Priority Data**

Sep. 18, 2007 (JP) 2007-25120
Sep. 18, 2007 (JP) 2007-25121

(51) **LOC (9) Cl.** **13-03**

(52) **U.S. Cl.** **D13/147**

(58) **Field of Classification Search** D13/146–147,
D13/154, 184; 439/79, 108, 607–610, 660,
439/668, 680

See application file for complete search history.

(56) **References Cited**

U.S. PATENT DOCUMENTS

D344,492 S * 2/1994 Nakamura D13/147
D345,343 S * 3/1994 Nakamura D13/147
D427,975 S * 7/2000 Zhu et al. D13/147
D431,530 S * 10/2000 Nishio et al. D13/147
D433,667 S * 11/2000 Li et al. D13/147
D482,331 S * 11/2003 Suzuki et al. D13/147
D509,192 S * 9/2005 Chen D13/147
D523,400 S * 6/2006 Shang-Yen et al. D13/147

* cited by examiner

Primary Examiner—Daniel D Bui

(74) *Attorney, Agent, or Firm*—Panitch Schwarze Belisario & Nadel LLP

(57) **CLAIM**

The ornamental design for an electrical connector, as shown and described.

DESCRIPTION

FIG. 1 is a front, right side and top perspective view of an electrical connector in accordance with a first embodiment of my new design;

FIG. 2 is a front elevation view thereof;

FIG. 3 is a rear elevation view thereof;

FIG. 4 is a left side elevation view thereof;

FIG. 5 is a right side elevation view thereof;

FIG. 6 is a top plan view thereof;

FIG. 7 is a bottom plan view thereof;

FIG. 8 is a front, right side and top perspective view of an electrical connector in accordance with a second embodiment of my new design;

FIG. 9 is a front elevation view thereof;

FIG. 10 is a rear elevation view thereof;

FIG. 11 is a left side elevation view thereof;

FIG. 12 is a right side elevation view thereof;

FIG. 13 is a top plan view thereof; and,

FIG. 14 is a bottom plan view thereof.

The broken line of internal elements of the connector shown in FIGS. 2, 6, 7, 9, 10, 11, 12, 13 and 14 is unclaimed subject matter and forms no part of the claimed design.

1 Claim, 8 Drawing Sheets

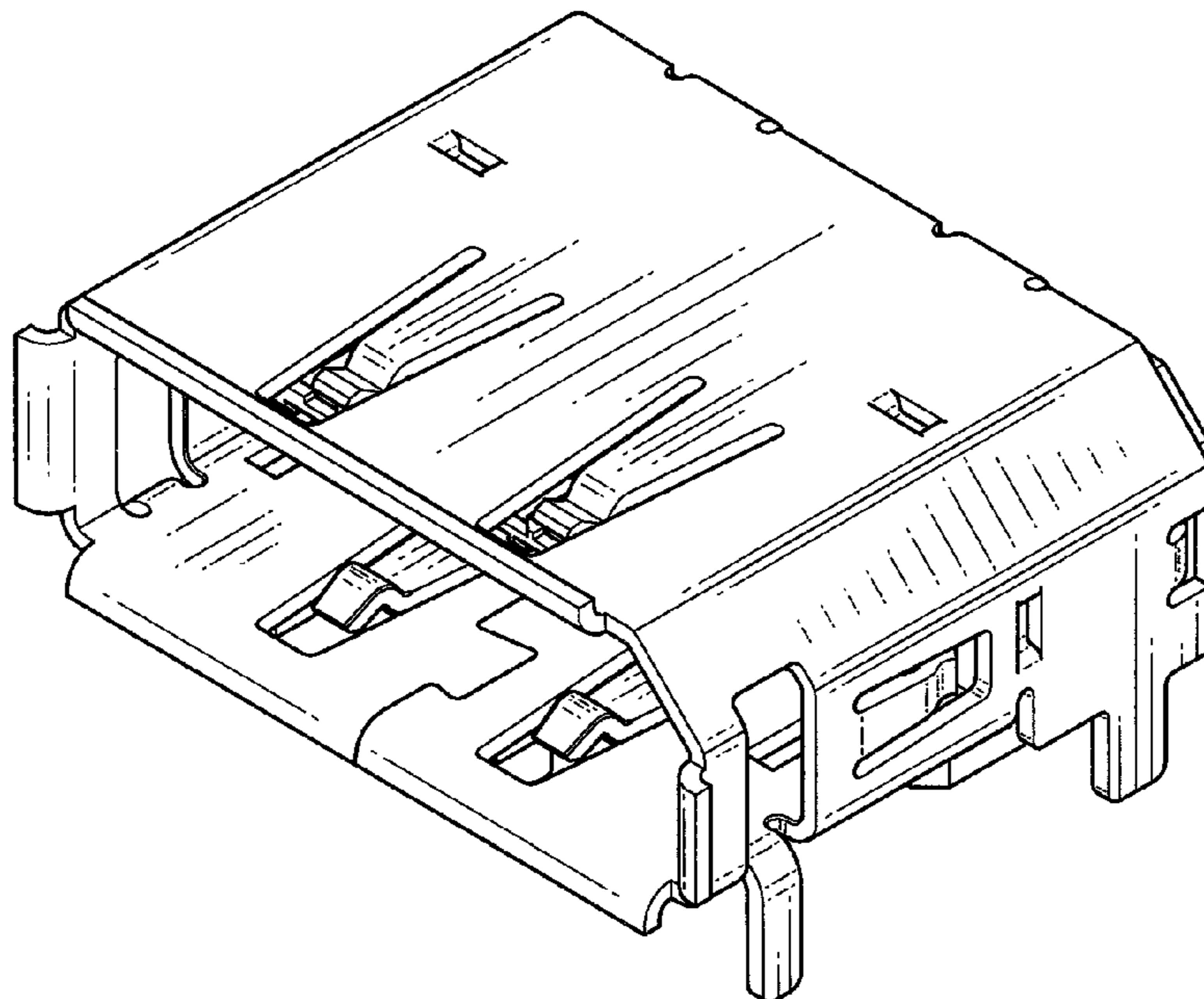


Fig.1

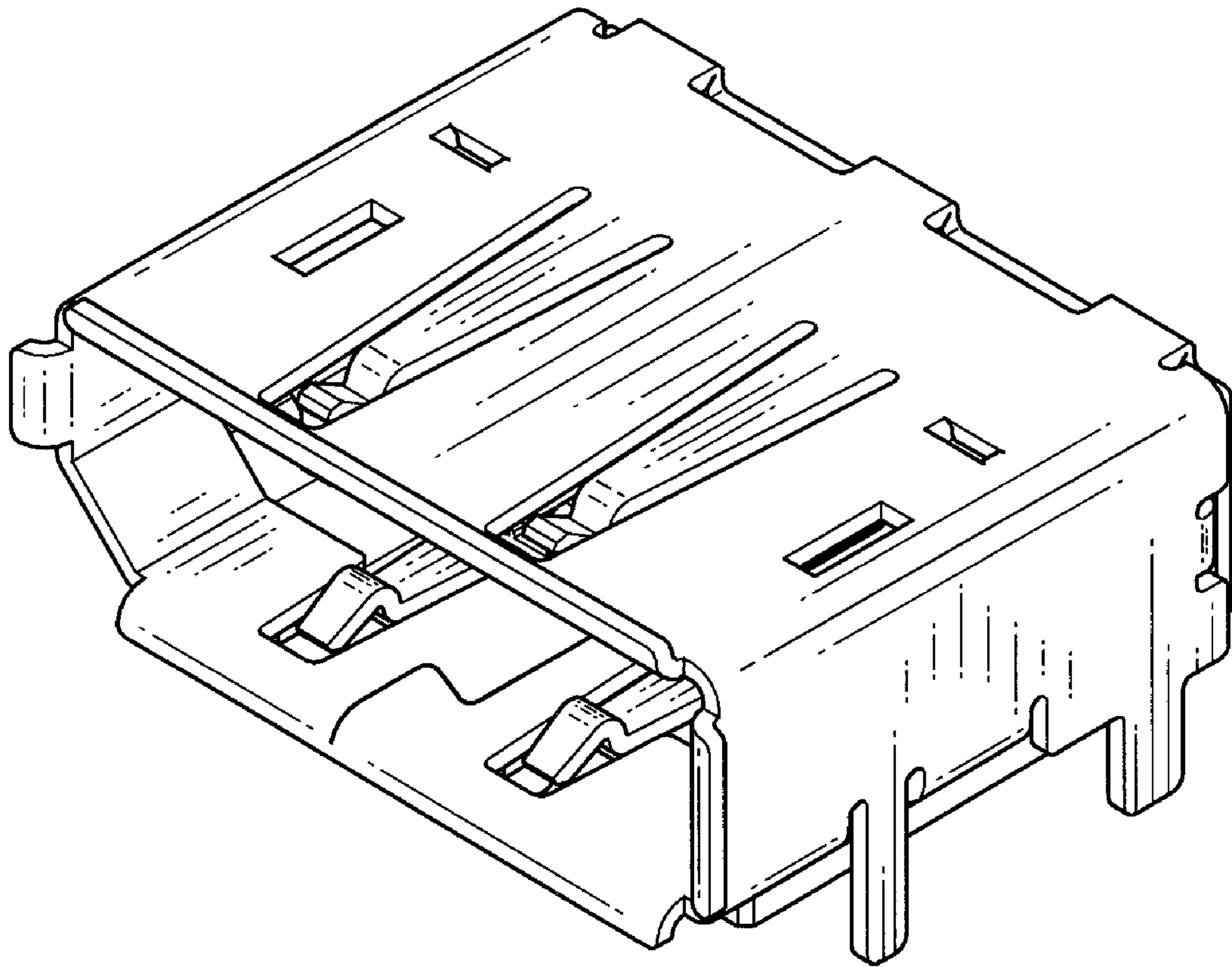


Fig.2

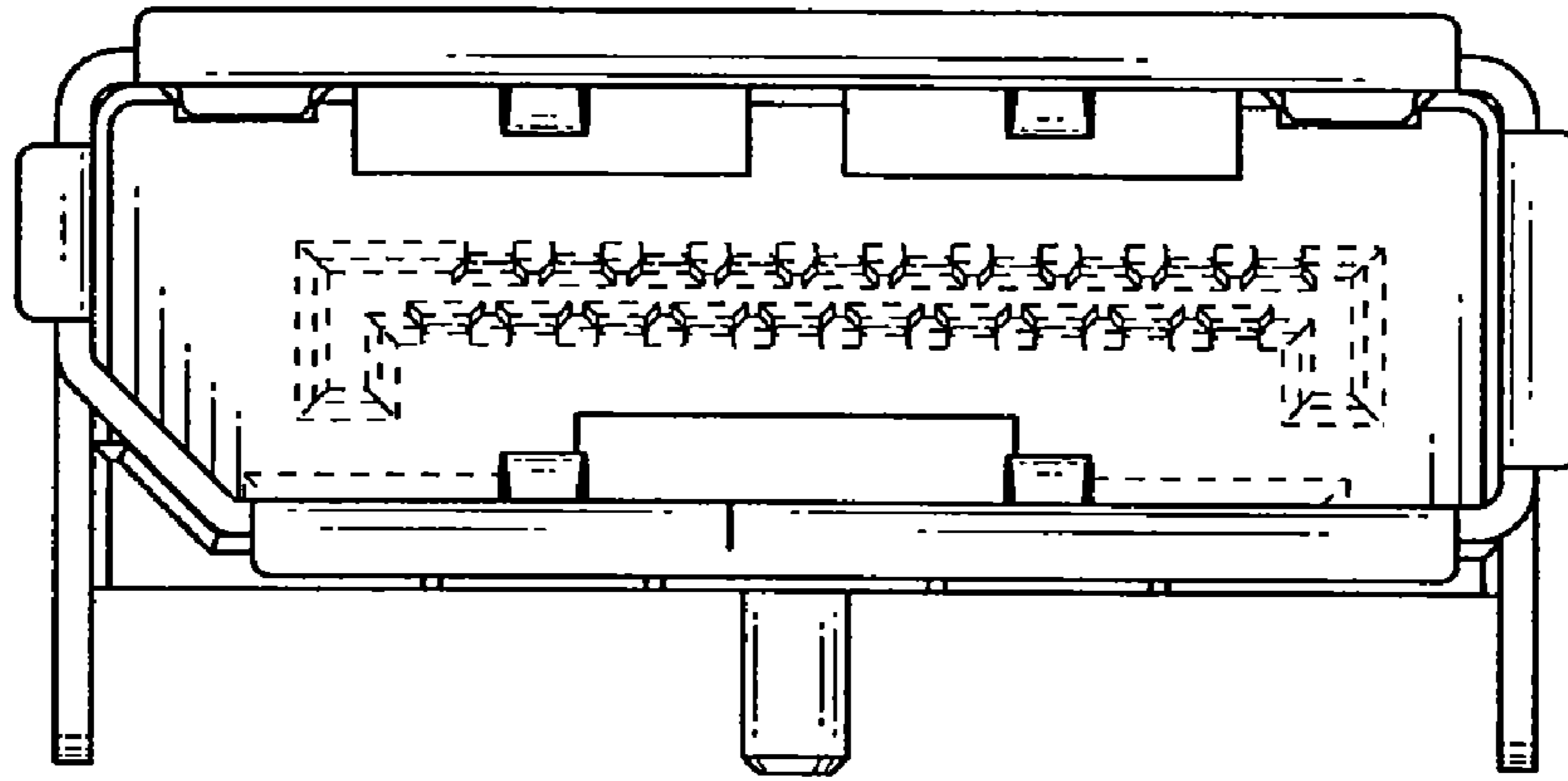


Fig.3

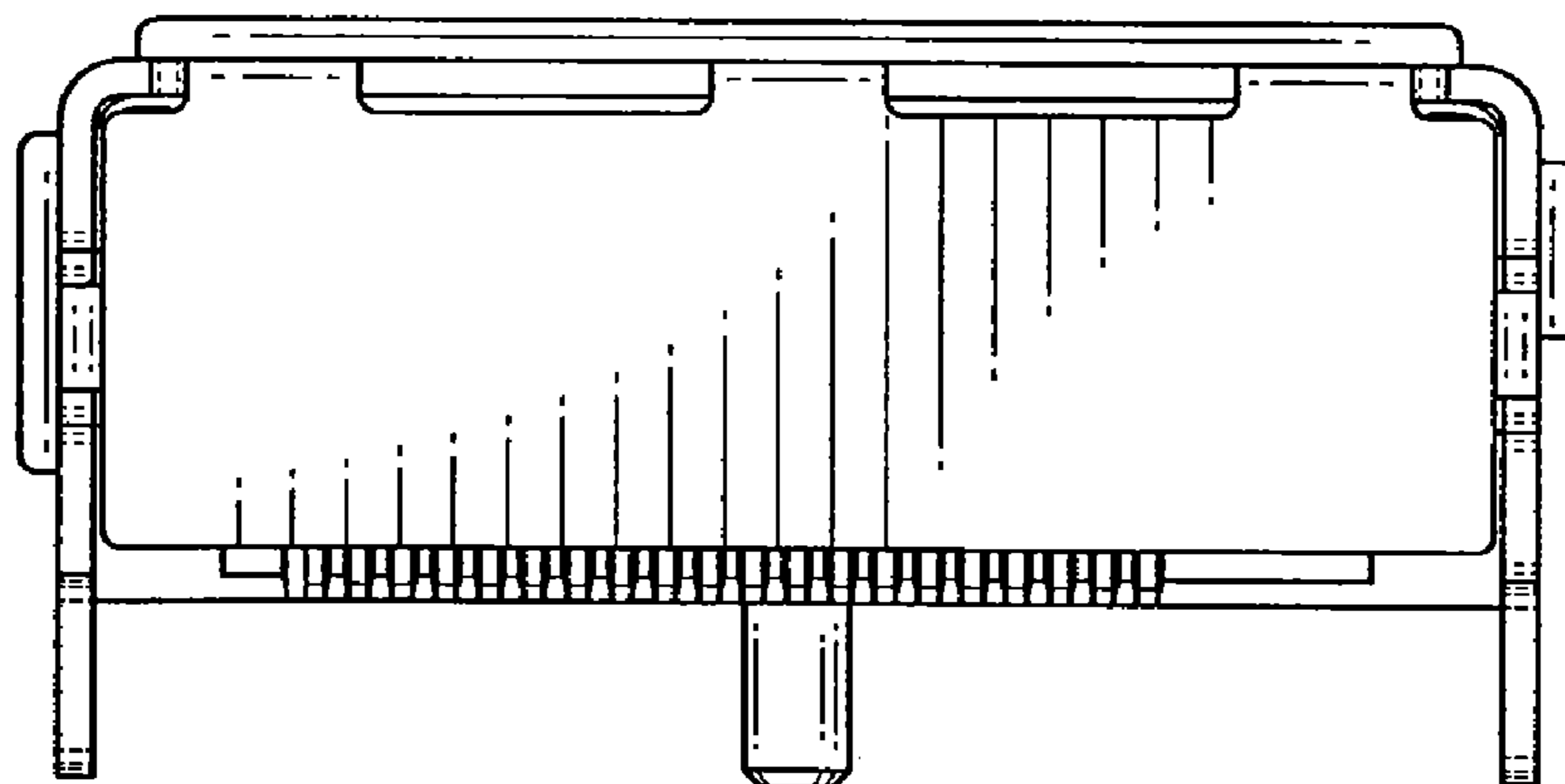


Fig.4

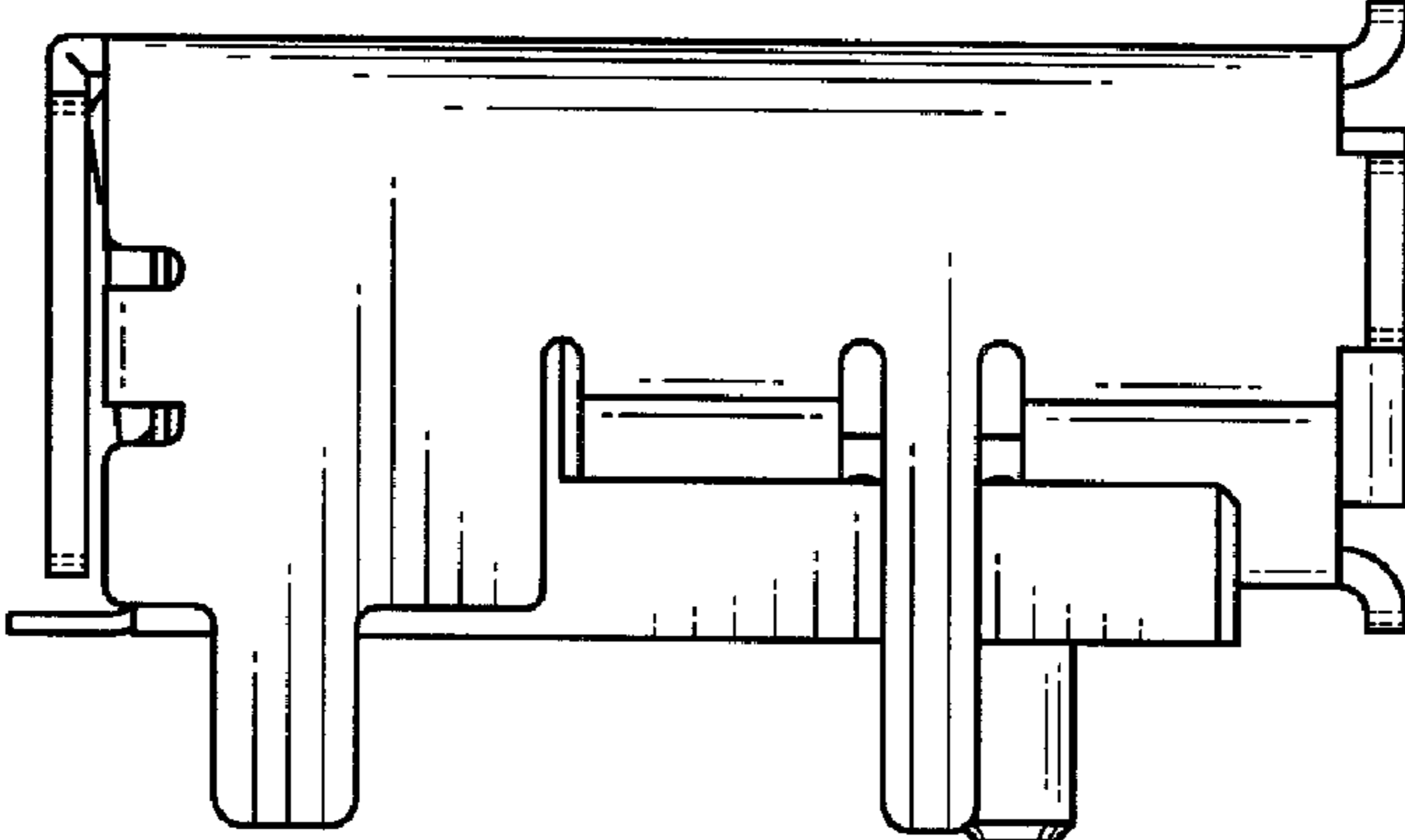


Fig.5

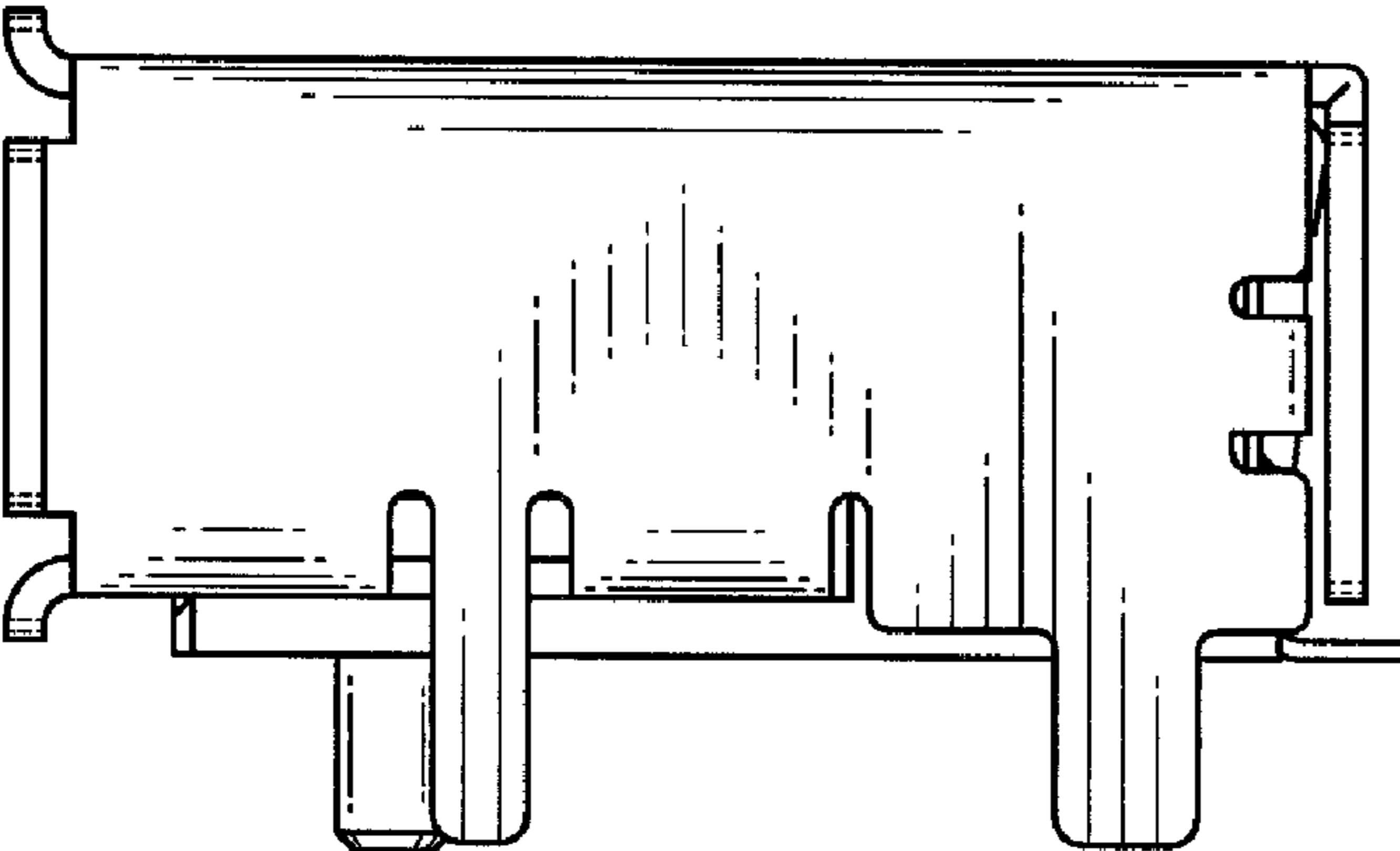


Fig.6

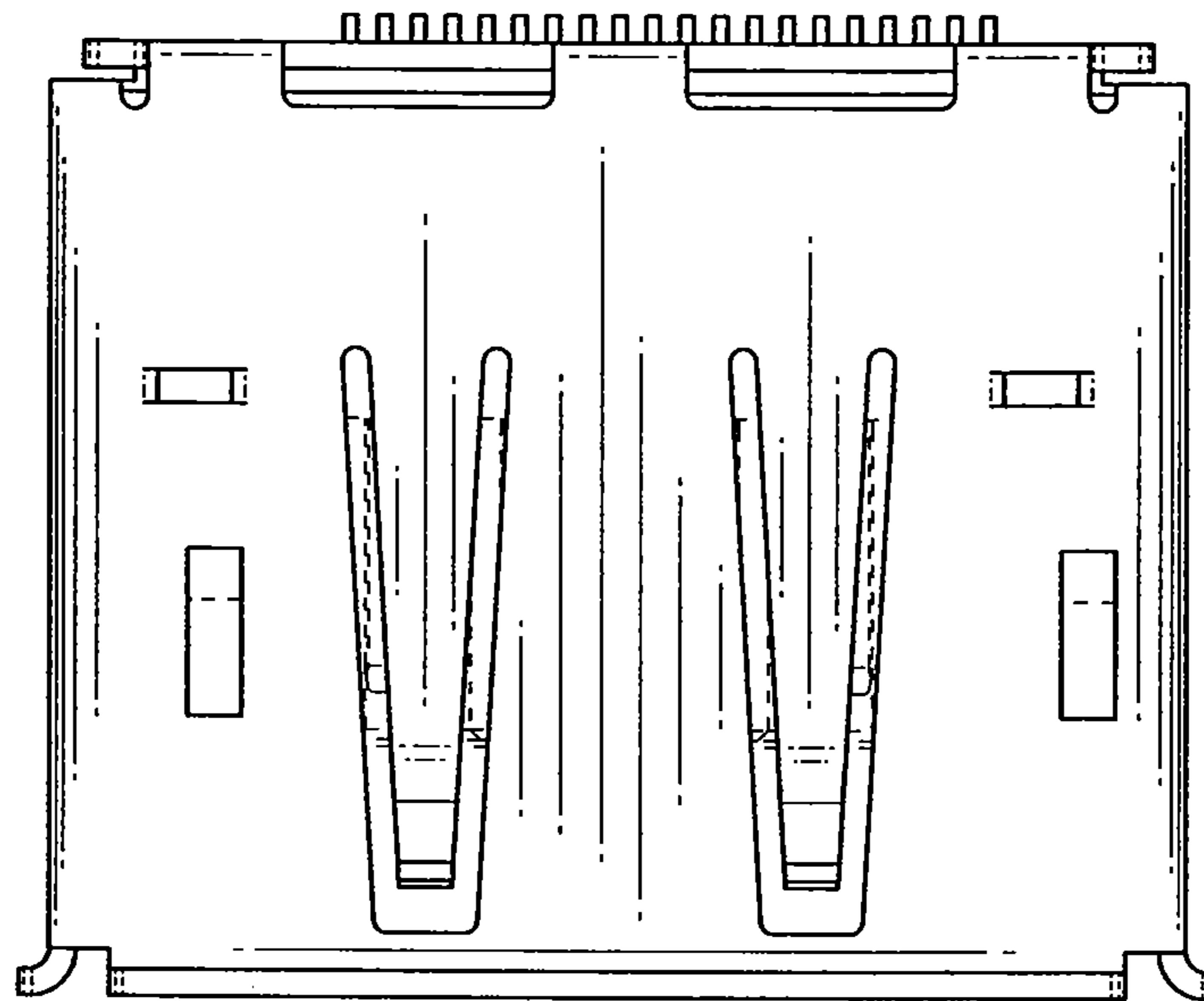


Fig.7

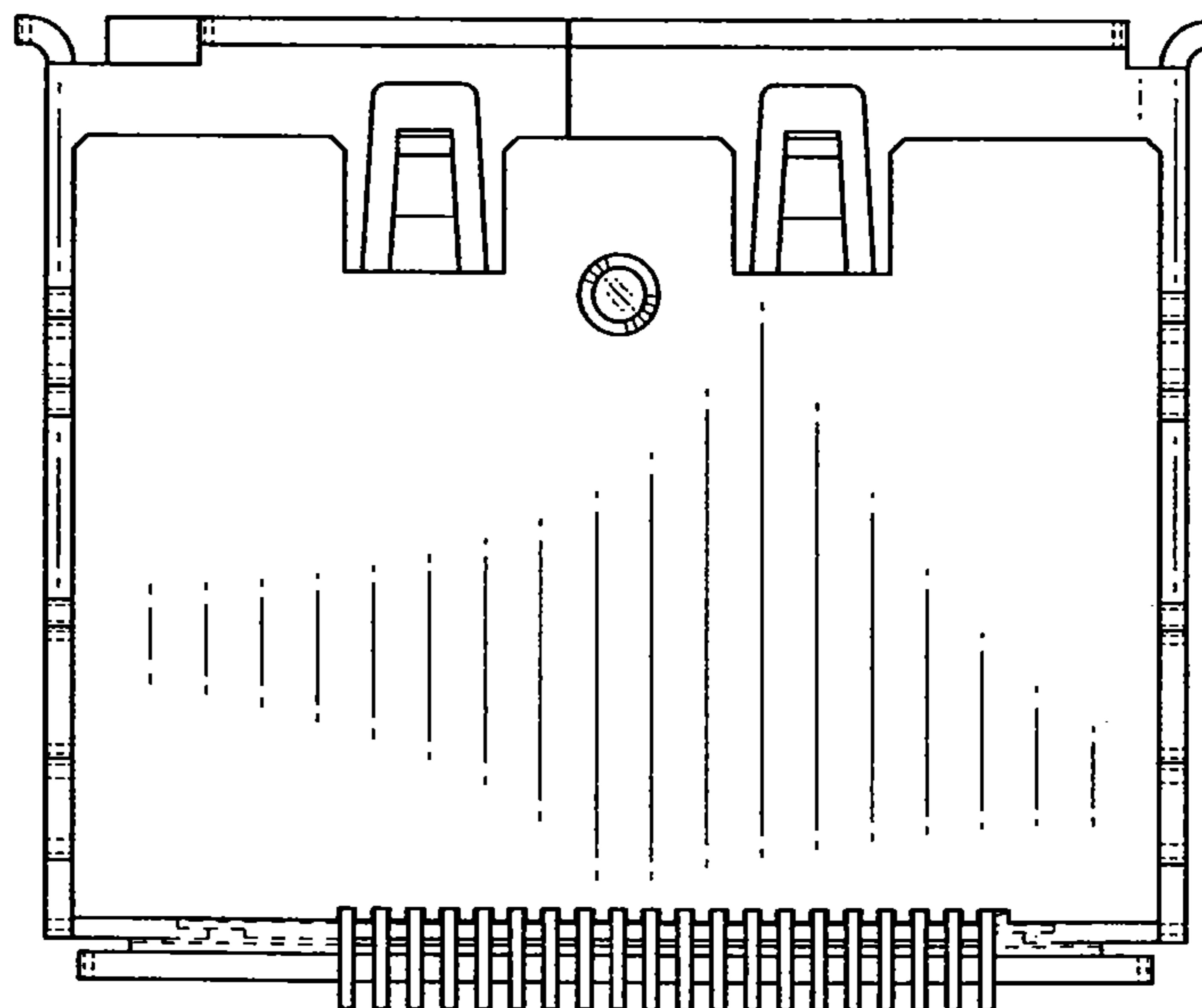


Fig.8

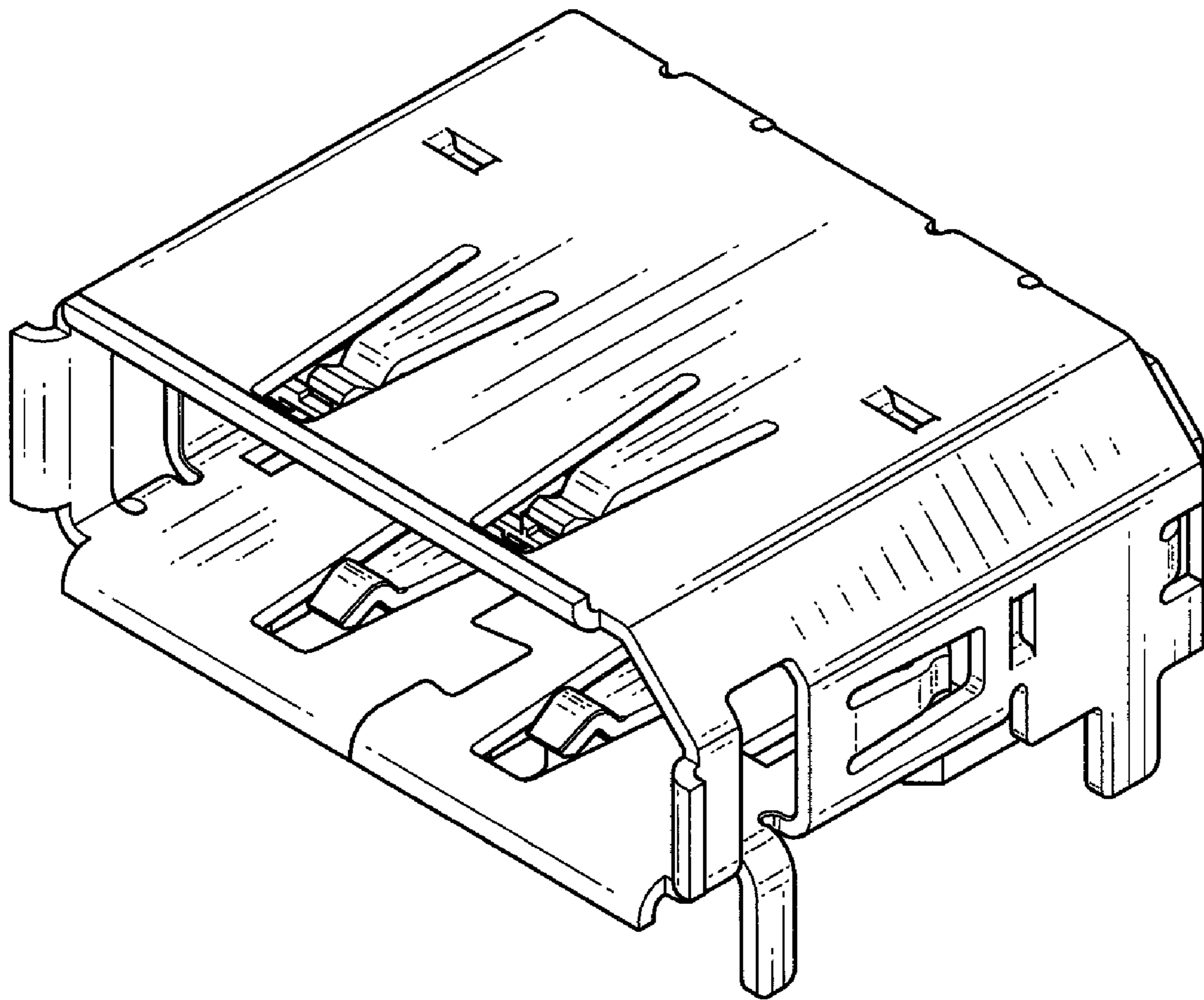


Fig.9

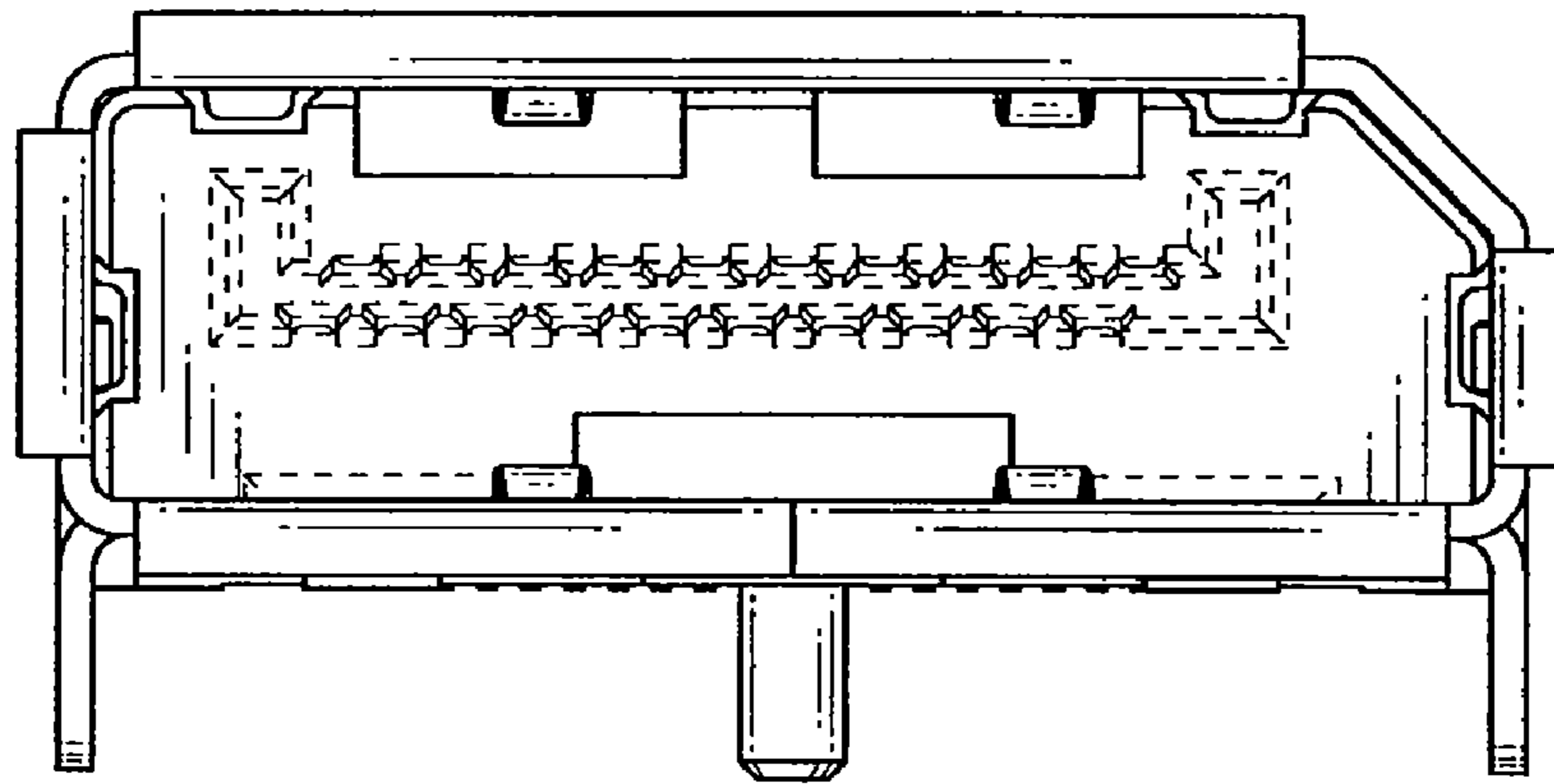


Fig.10

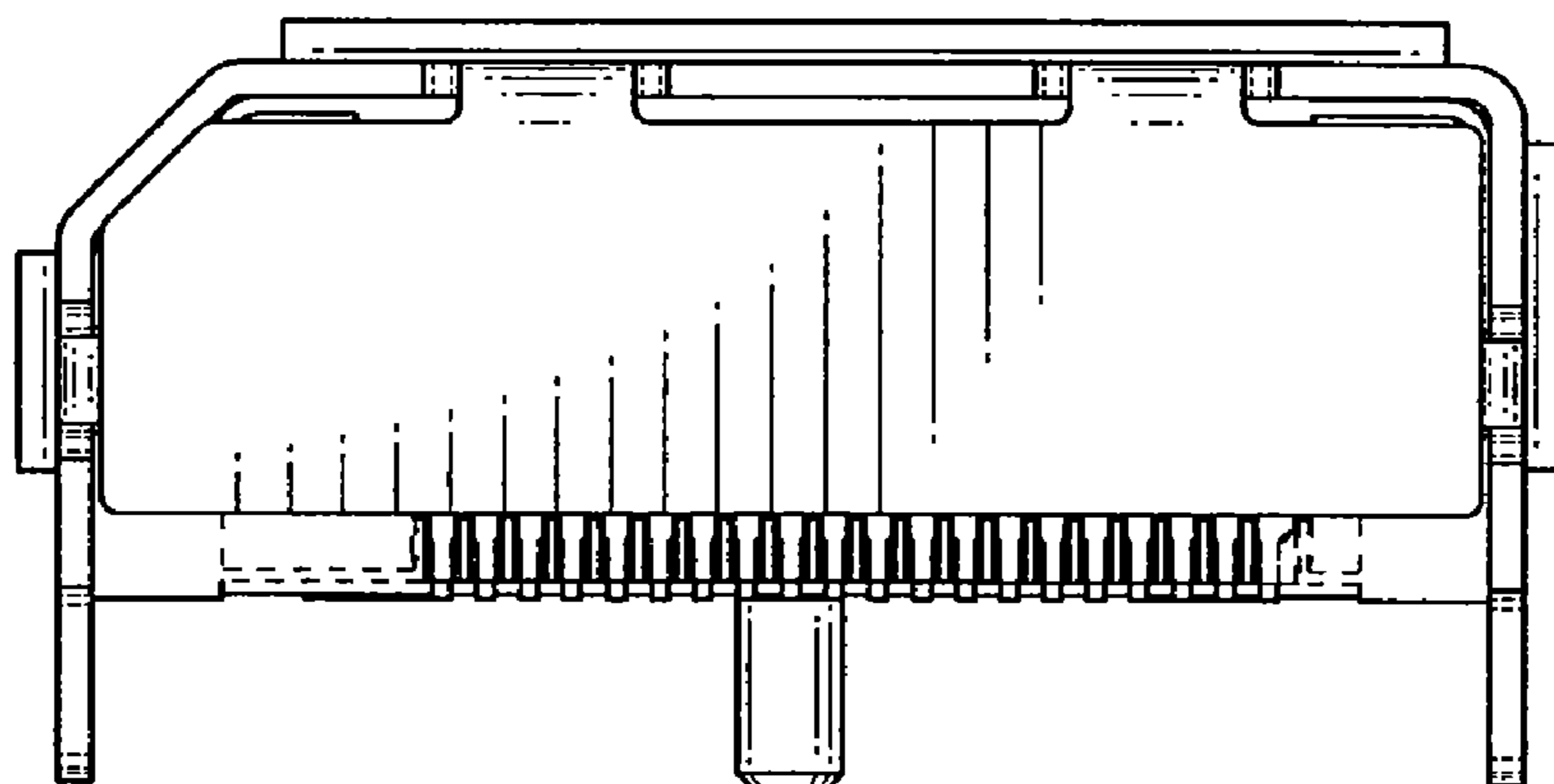


Fig.11

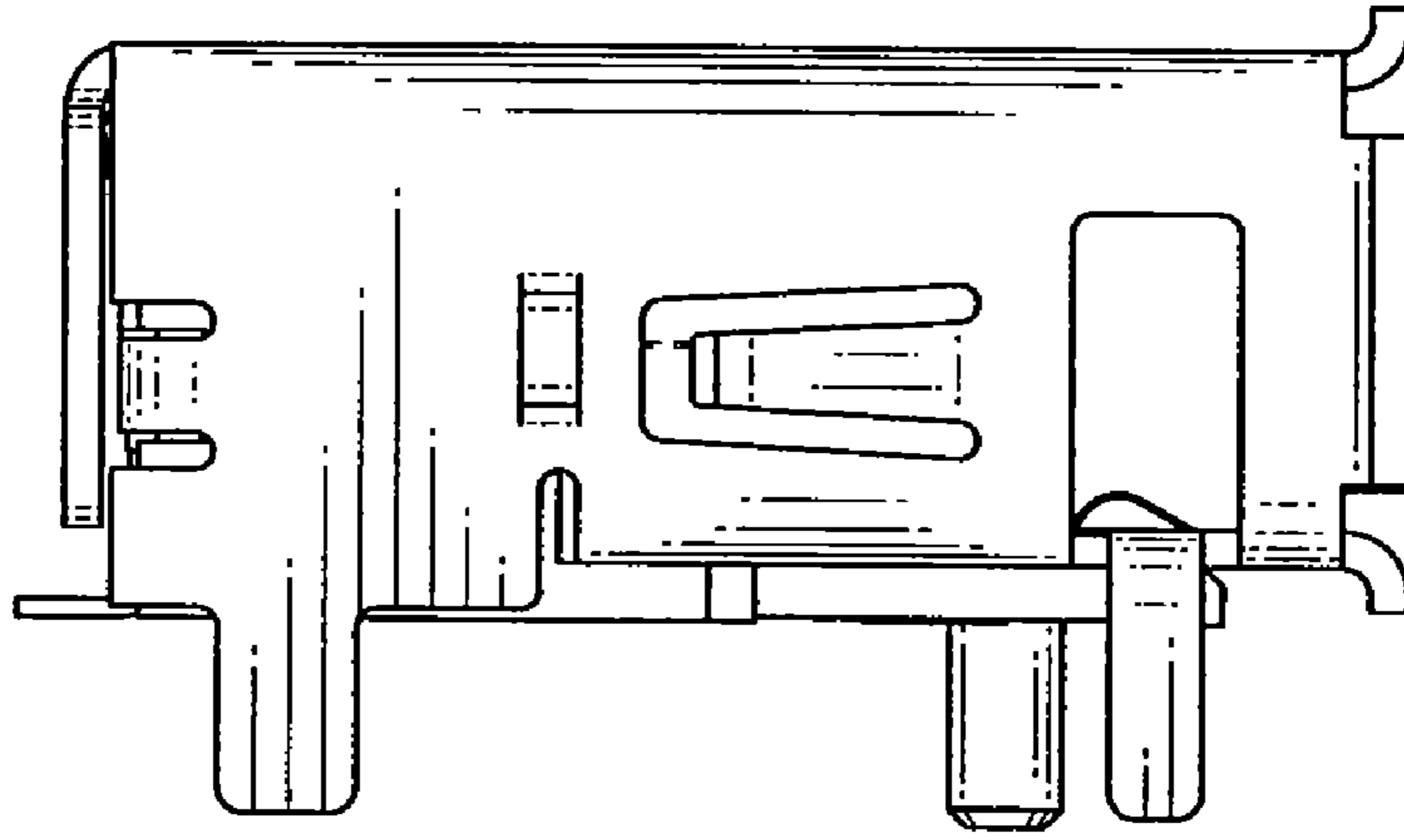


Fig.12

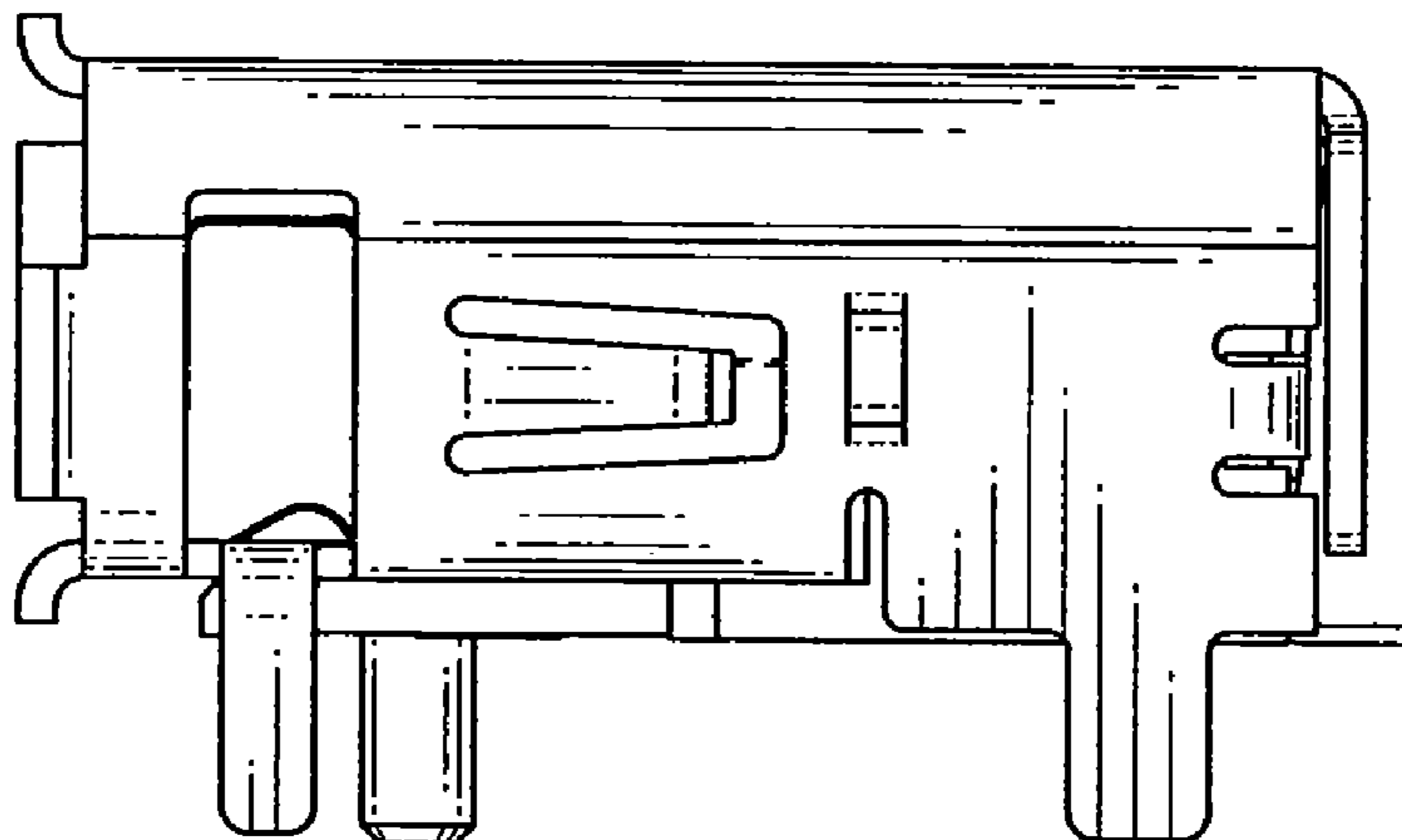


Fig.13

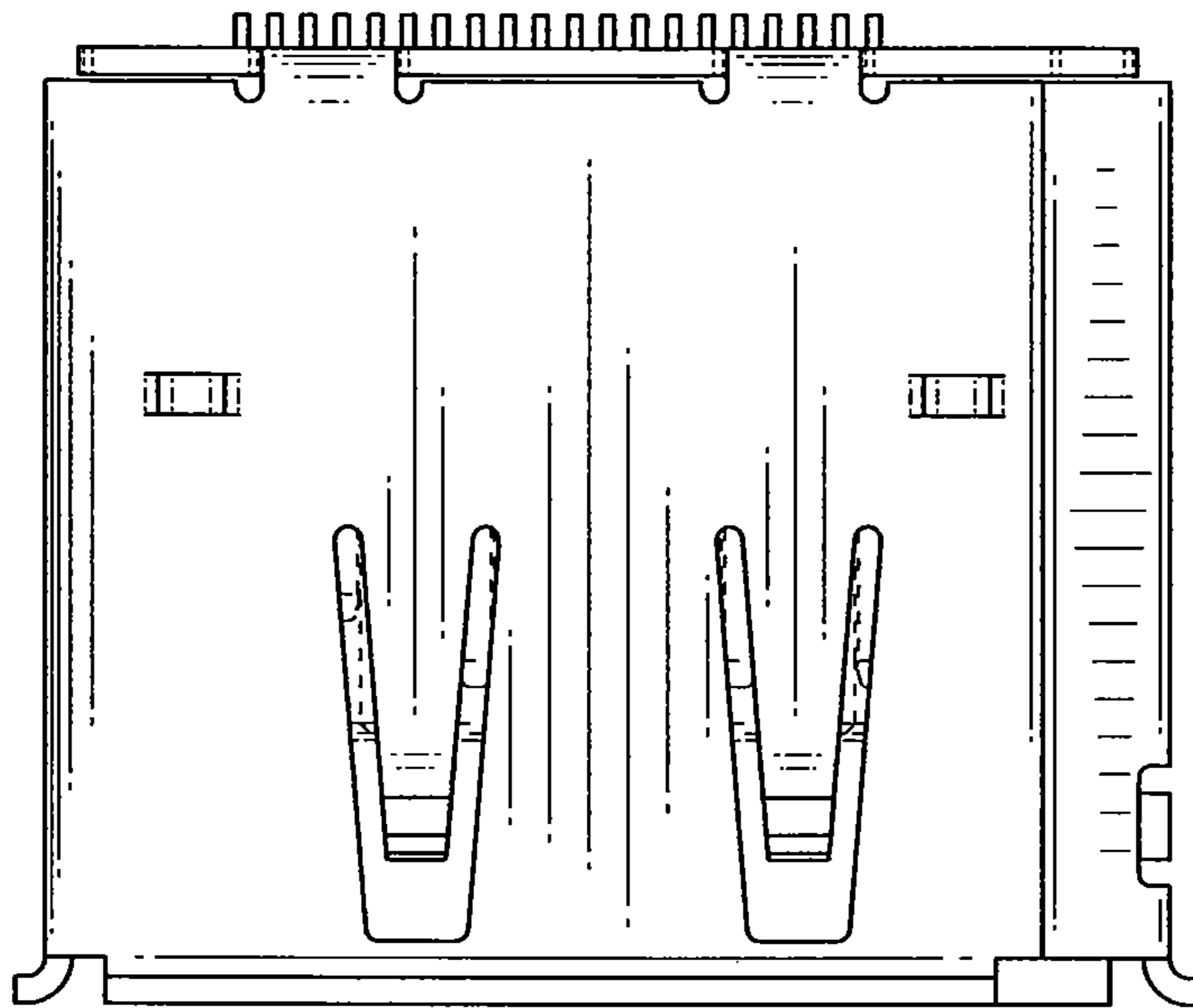


Fig.14

