



US00D590774S

(12) **United States Design Patent**
Suematsu et al.

(10) **Patent No.:** **US D590,774 S**

(45) **Date of Patent:** **** Apr. 21, 2009**

(54) **OPTICAL CONNECTOR FERRULE**

(75) Inventors: **Katsuki Suematsu**, Tokyo (JP); **Hideki Miyazaki**, Tokyo (JP); **Masao Shinoda**, Tokyo (JP)

(73) Assignee: **The Furukawa Electric Co., Ltd.**, Tokyo (JP)

(**) Term: **14 Years**

(21) Appl. No.: **29/298,996**

(22) Filed: **Dec. 17, 2007**

(51) **LOC (9) Cl.** **13-03**

(52) **U.S. Cl.** **D13/147**

(58) **Field of Classification Search** D13/133,
D13/146, 147, 154, 184, 199; 439/108, 352,
439/354, 357, 358, 374, 567, 607, 608, 609,
439/610, 656, 676, 680

See application file for complete search history.

(56) **References Cited**

U.S. PATENT DOCUMENTS

D318,266 S	*	7/1991	Matsuzaki	D13/147
D517,994 S	*	3/2006	Zhang et al.	D13/147
D525,941 S	*	8/2006	Kudo	D13/147
D563,890 S	*	3/2008	Dever	D13/147

FOREIGN PATENT DOCUMENTS

JP 1011627 5/1998

OTHER PUBLICATIONS

U.S. Appl. No. 29/298,982, filed Dec. 17, 2007, Suematsu, et al.
U.S. Appl. No. 29/298,995, filed Dec. 17, 2007, Suematsu, et al.
U.S. Appl. No. 29/298,996, filed Dec. 17, 2007, Suematsu, et al.

* cited by examiner

Primary Examiner—Daniel D Bui

(74) *Attorney, Agent, or Firm*—Oblon, Spivak, McClelland, Maier & Neustadt, P.C.

(57) **CLAIM**

The ornamental design for an optical connector ferrule, as shown and described.

DESCRIPTION

FIG. 1 is a top and right front perspective view of an optical connector ferrule, showing our new design;

FIG. 2 is a front elevational view thereof;

FIG. 3 is a rear elevational view thereof;

FIG. 4 is a right side elevational view thereof;

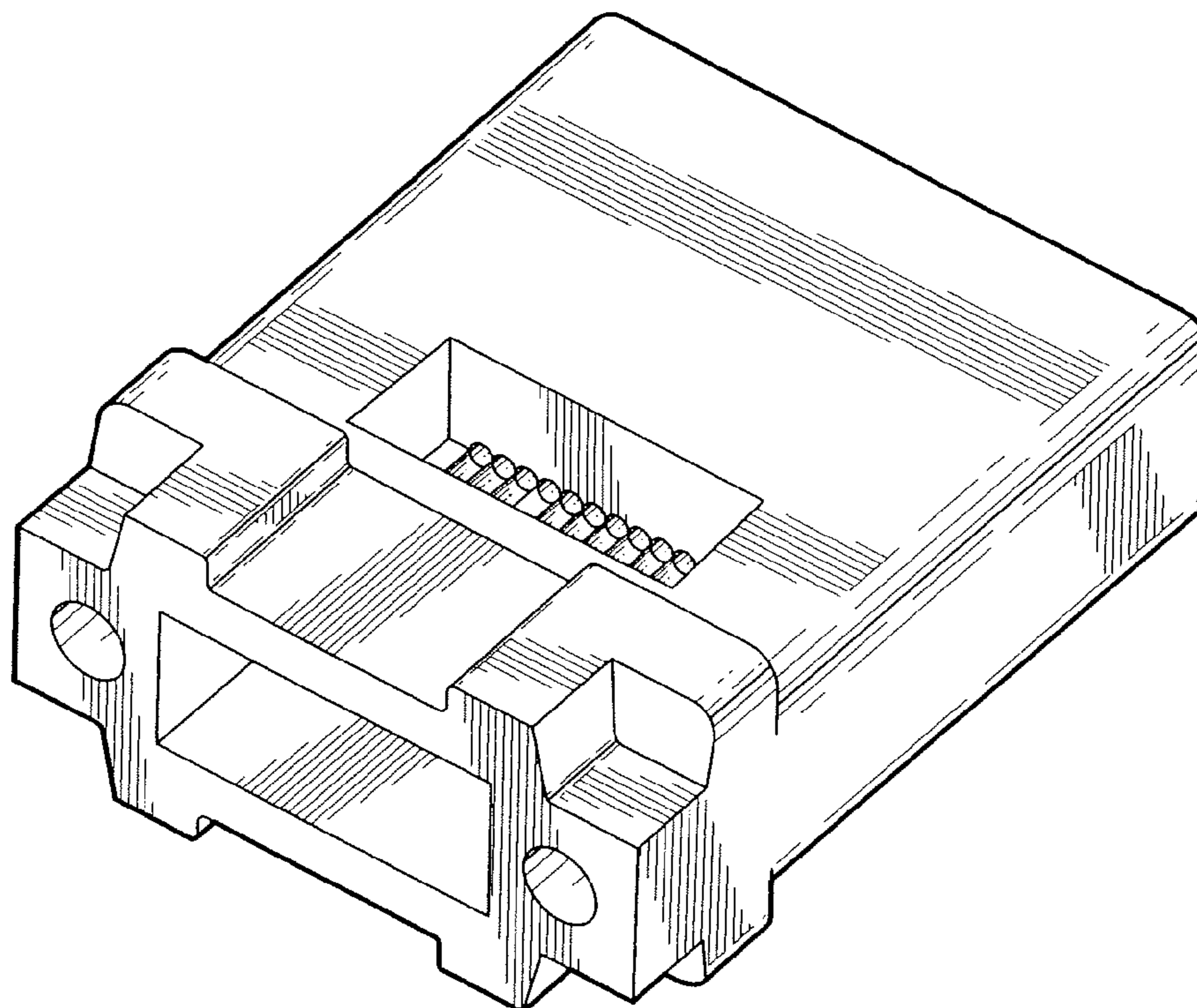
FIG. 5 is a left side elevational view thereof;

FIG. 6 is a top plan view thereof; and,

FIG. 7 is a bottom plan view thereof.

The broken lines of internal elements in FIG. 2 are included to show unclaimed subject matter only and form no part of the claimed design.

1 Claim, 4 Drawing Sheets



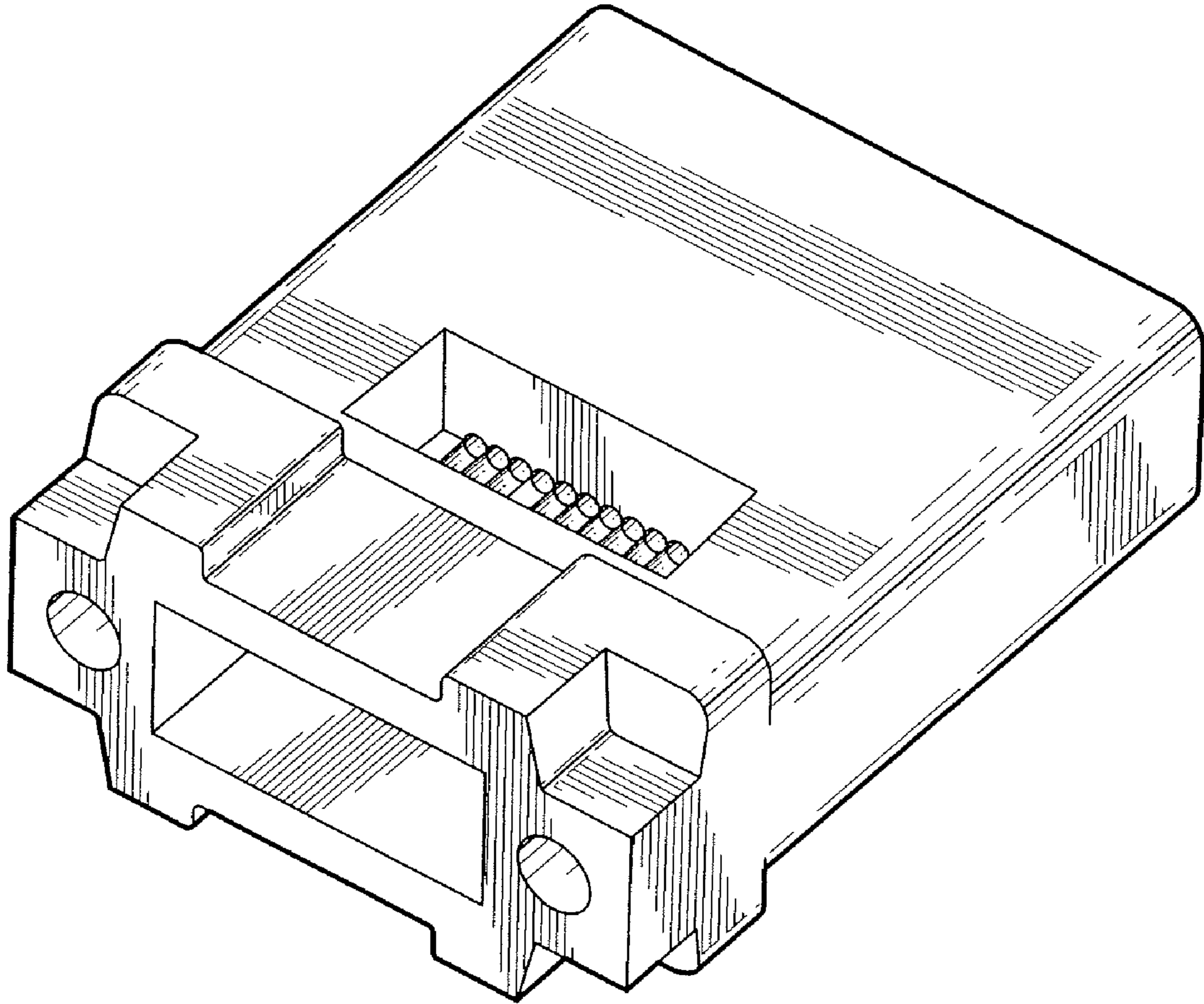


Fig. 1

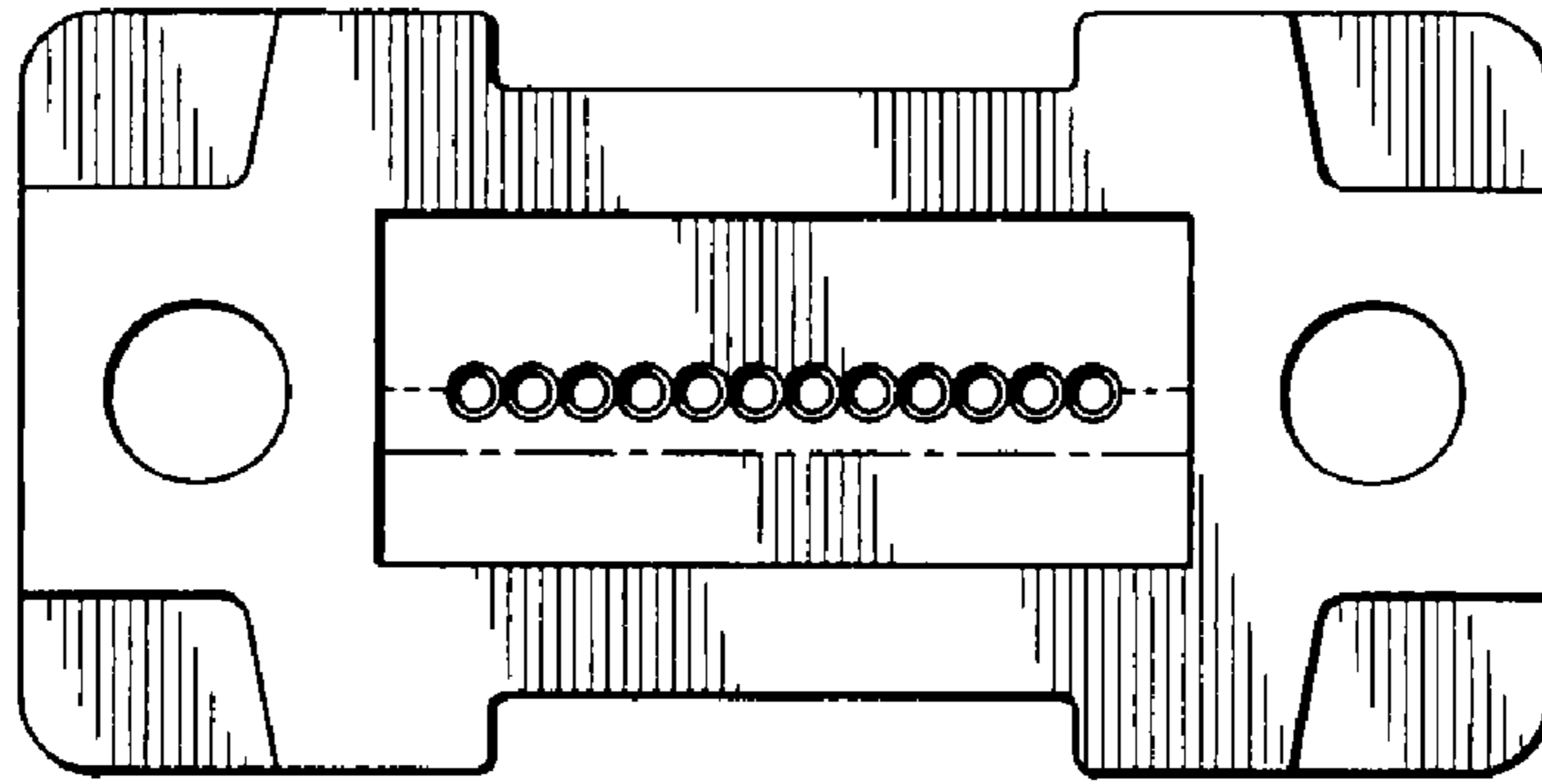


Fig. 2

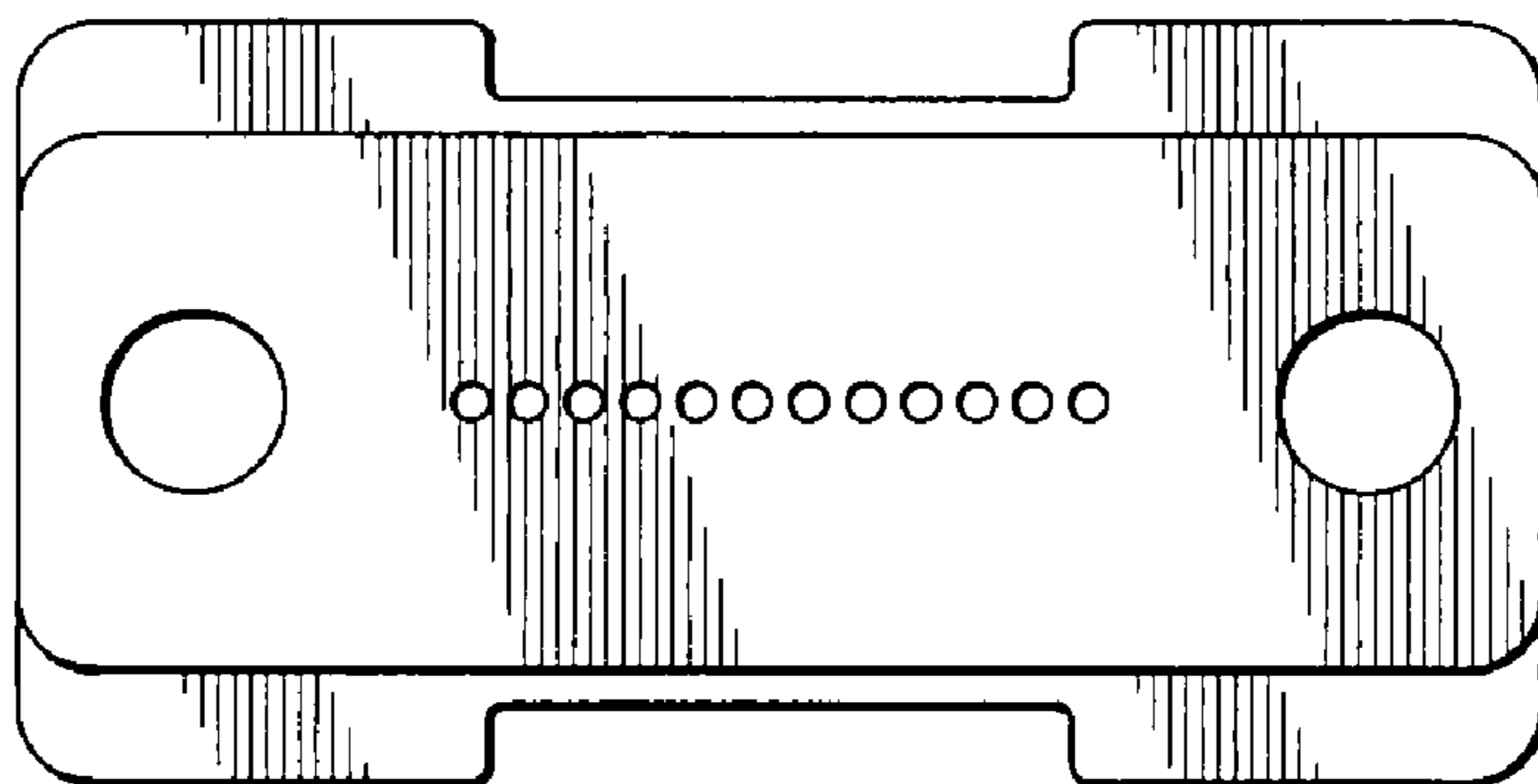


Fig. 3

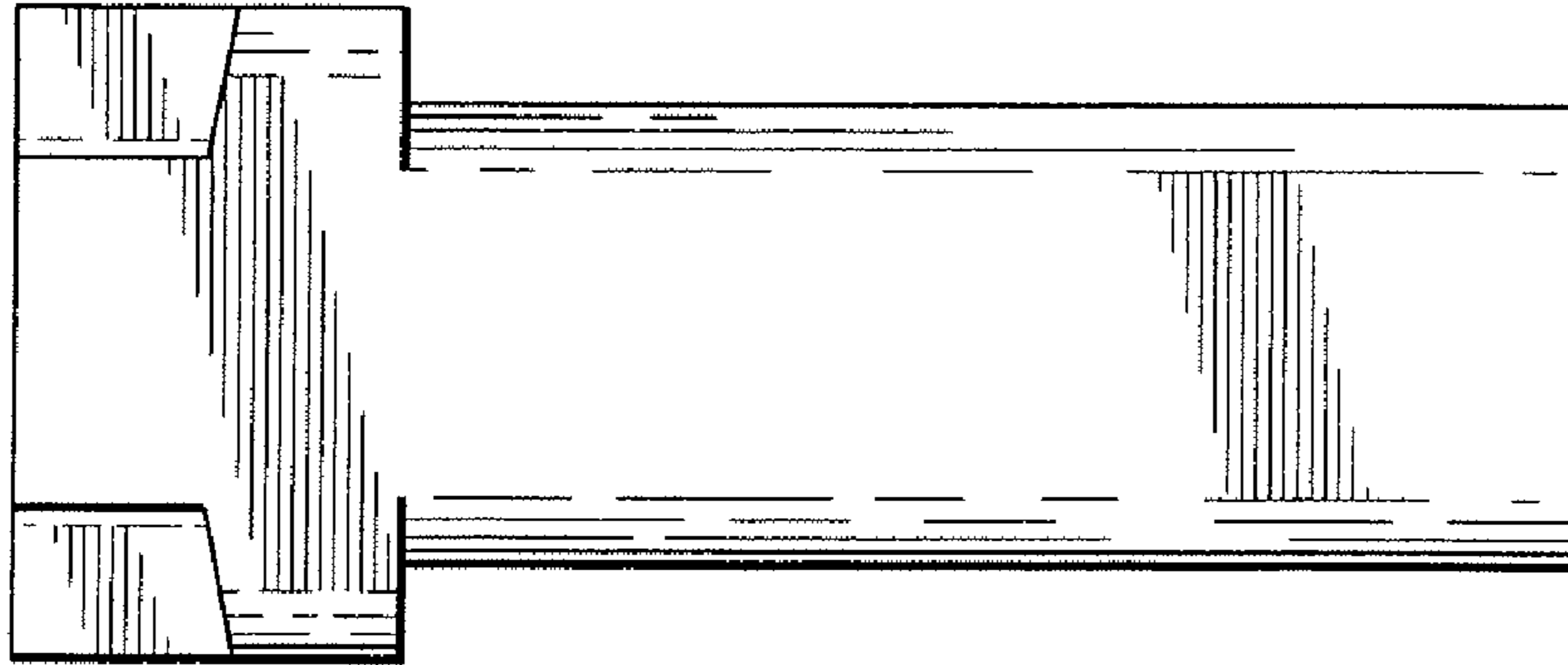


Fig. 4

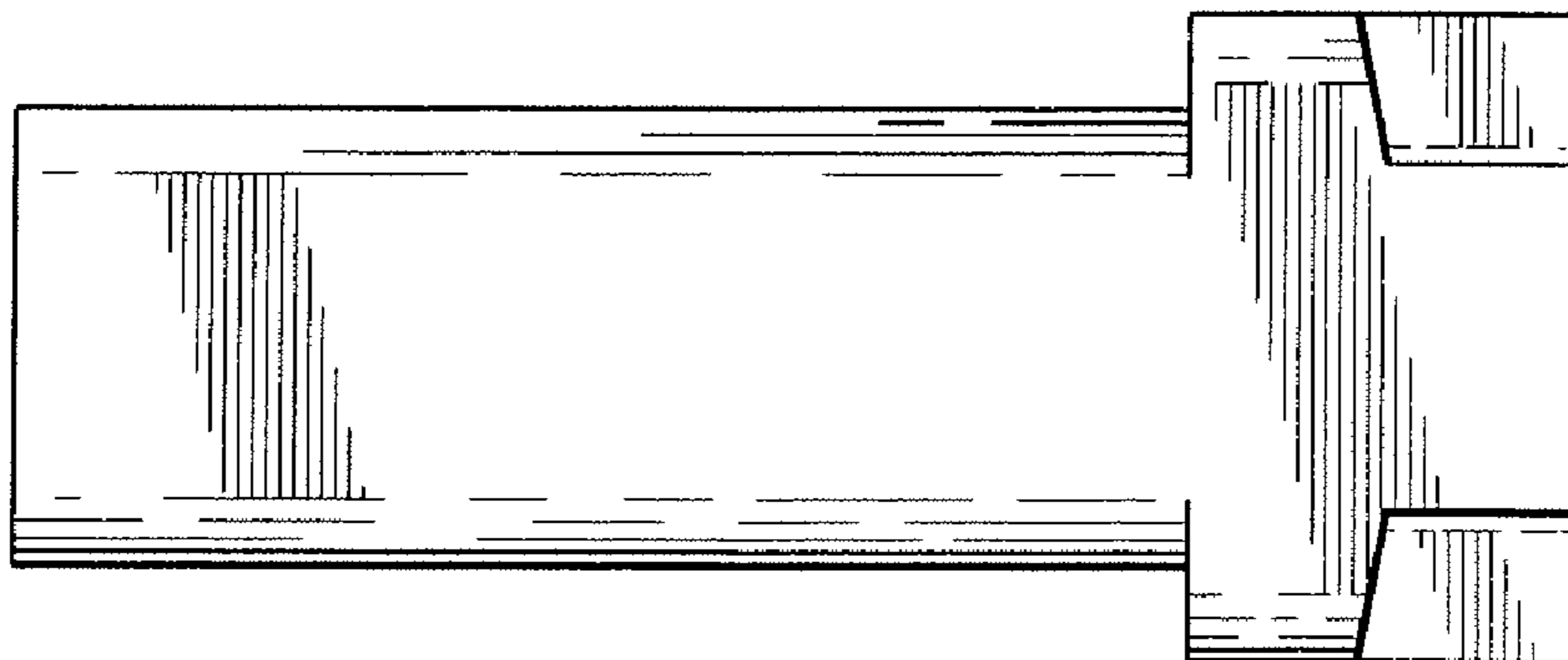


Fig. 5

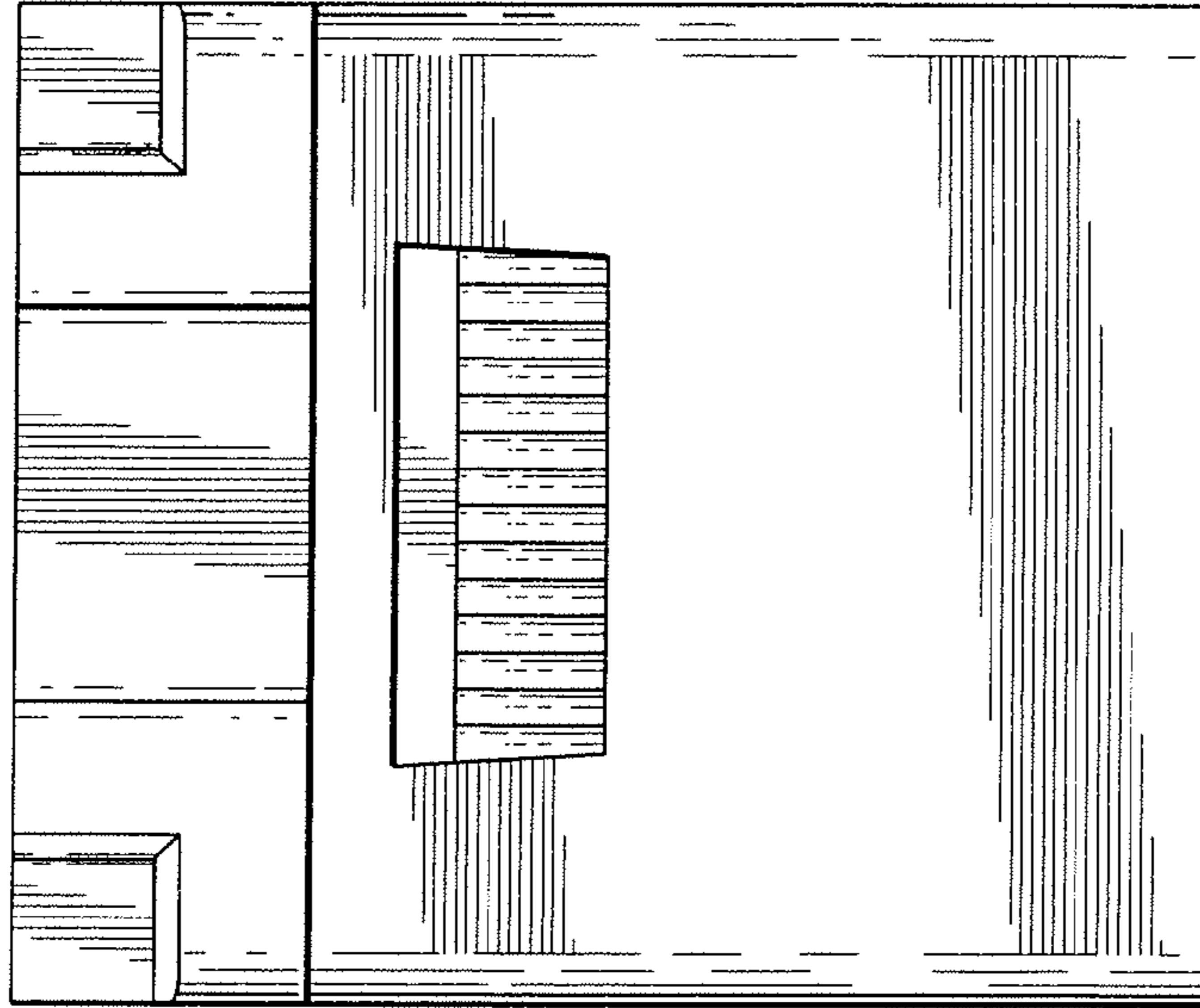


Fig. 6

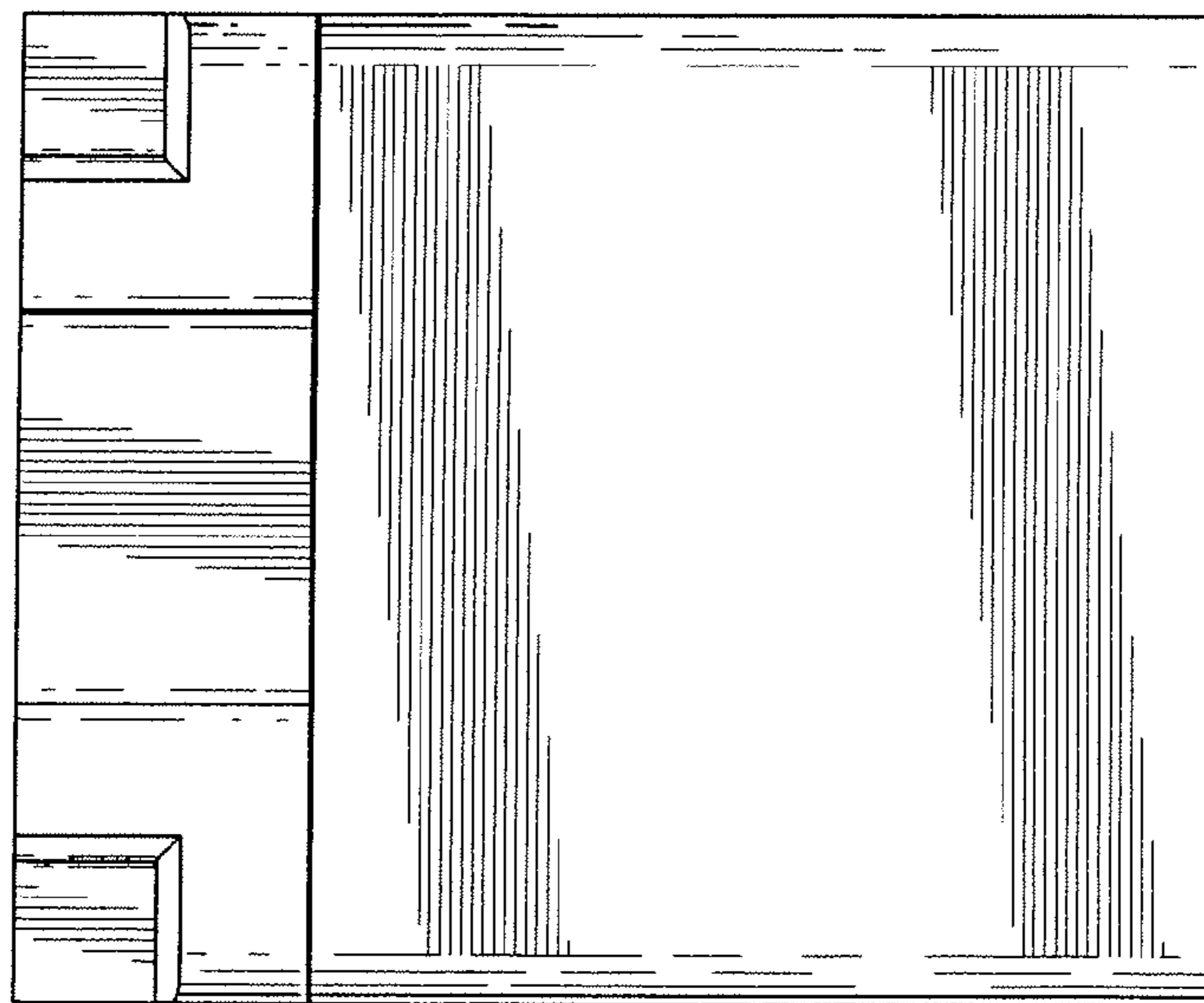


Fig. 7