



US00D590772S

(12) **United States Design Patent**
Smith

(10) **Patent No.:** **US D590,772 S**
(45) **Date of Patent:** **** Apr. 21, 2009**

(54) **POWER BOX**

(75) Inventor: **Julius R. Smith**, Nashville, TN (US)

(73) Assignee: **D&P Custom Lights & Wiring Systems, Inc.**, Nashville, TN (US)

(**) Term: **14 Years**

(21) Appl. No.: **29/317,854**

(22) Filed: **May 8, 2008**

(51) **LOC (9) Cl.** **13-03**

(52) **U.S. Cl.** **D13/139.2**

(58) **Field of Classification Search** D13/139.1,
D13/139.2, 139.3, 139.4, 139.5, 139.6, 139.7,
D13/139.8, 138.1, 138.2, 123, 133, 137.1,
D13/137.2, 184, 137.3, 137.4, 124, 160, 162,
D13/164, 178, 154, 156, 107, 110, 145, 177;
D14/433, 256; D8/350, 353; 174/53, 55,
174/56, 59, 66, 494, 153 G, 152 G, 154, 167,
174/168, 650, 656, 481, 504; 439/101, 105,
439/43, 53, 374, 894, 46, 55, 63, 92, 93,
439/95, 102, 106, 107, 108, 135, 149, 222,
439/266, 285, 291, 300, 344, 373, 535, 620.21,
439/638, 660, 907, 650, 651, 652, 653, 654;
361/42

See application file for complete search history.

(56) **References Cited**

U.S. PATENT DOCUMENTS

2,088,845 A * 8/1937 De Mask 439/216
3,148,008 A * 9/1964 Herrmann 439/114

D318,738 S * 7/1991 Clodfelter, Sr. D25/119
D365,802 S * 1/1996 Fladung D13/139.8
D448,346 S * 9/2001 Hellwig et al. D13/139.5
6,323,421 B1 * 11/2001 Pawson et al. 174/503
6,664,467 B1 * 12/2003 de la Borbolla 174/503
6,881,083 B2 * 4/2005 Vargas et al. 439/211
D539,754 S * 4/2007 Makwinski et al. D13/155
7,388,163 B2 * 6/2008 VanderVelde et al. 174/480
7,456,366 B2 * 11/2008 Makwinski et al. 174/481
2002/0187682 A1 * 12/2002 Lincoln et al. 439/652

* cited by examiner

Primary Examiner—Jennifer Rivard

Assistant Examiner—Angela J Lee

(74) *Attorney, Agent, or Firm*—Thomas, Kayden,
Horstemeyer & Risley, LLP

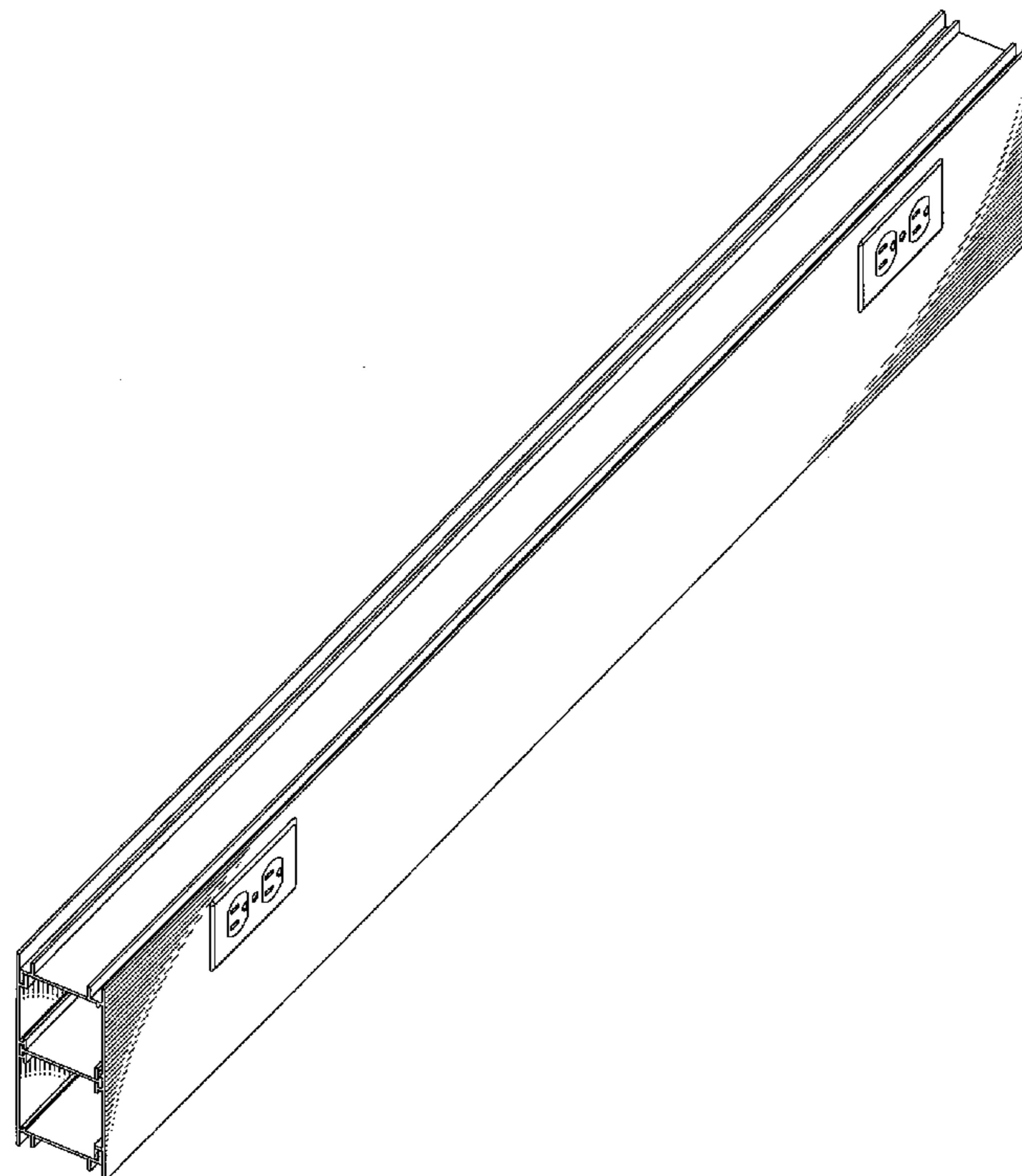
(57) **CLAIM**

The ornamental design of a power box, as shown and described.

DESCRIPTION

FIG. 1 is a perspective view showing my new power box;
FIG. 2 is a left side elevational view thereof; and
FIG. 3 is a right side elevational view thereof;
FIG. 4 is a front elevational view thereof;
FIG. 5 is a rear elevational view thereof;
FIG. 6 is a top plan view thereof; and,
FIG. 7 is a bottom plan view thereof.

1 Claim, 2 Drawing Sheets



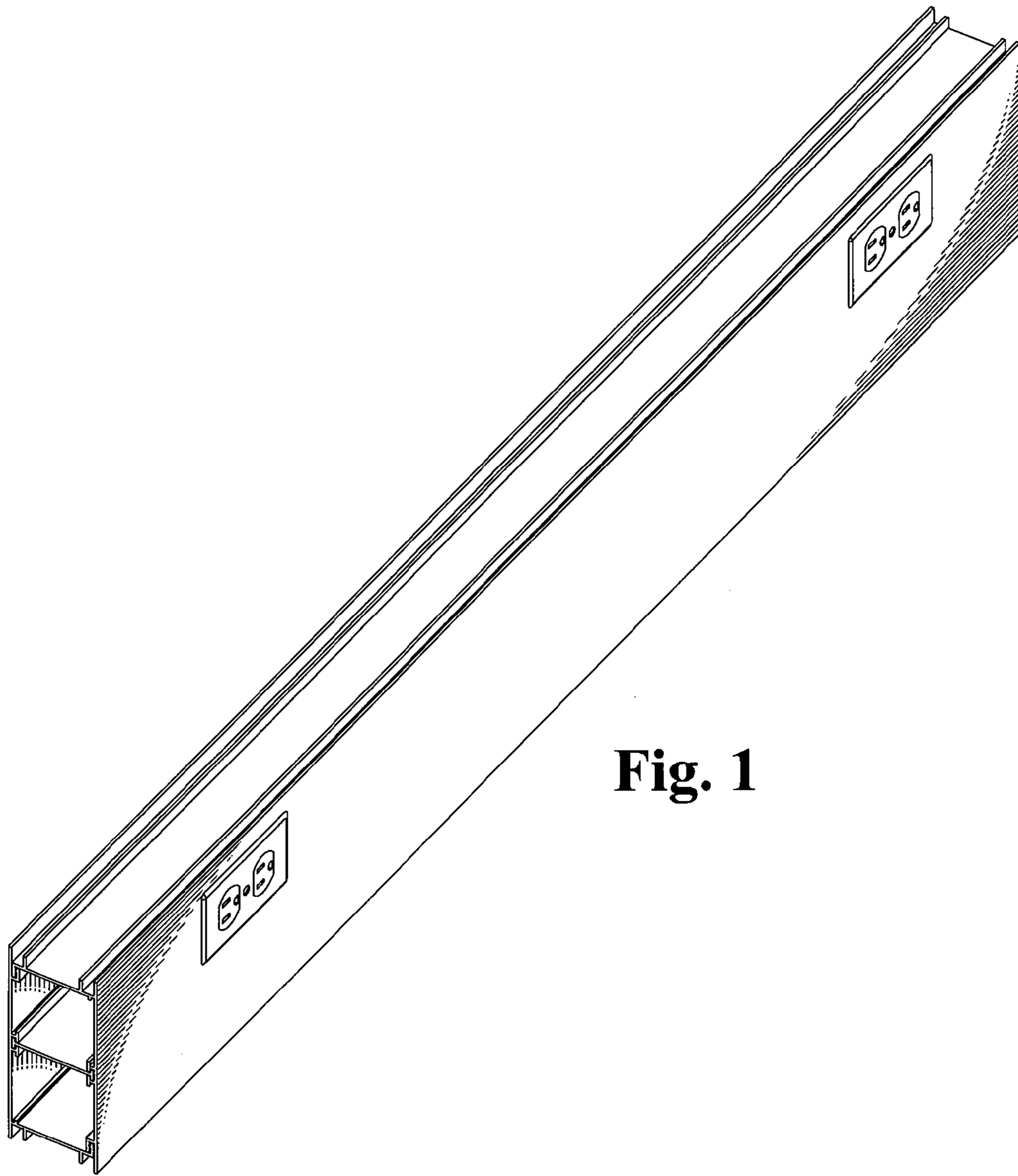


Fig. 1

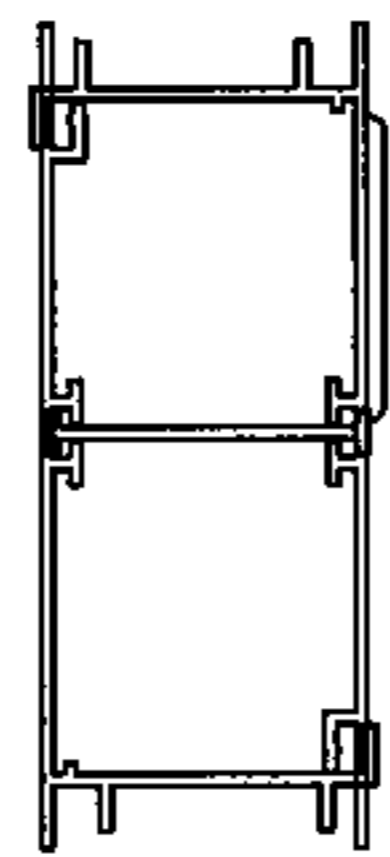


Fig. 2

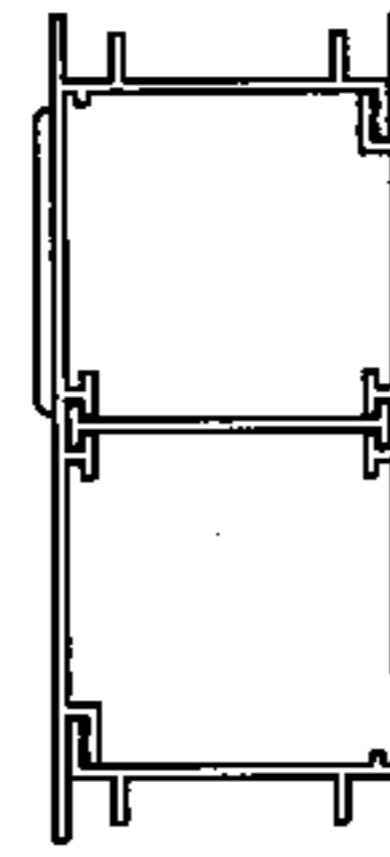


Fig. 3

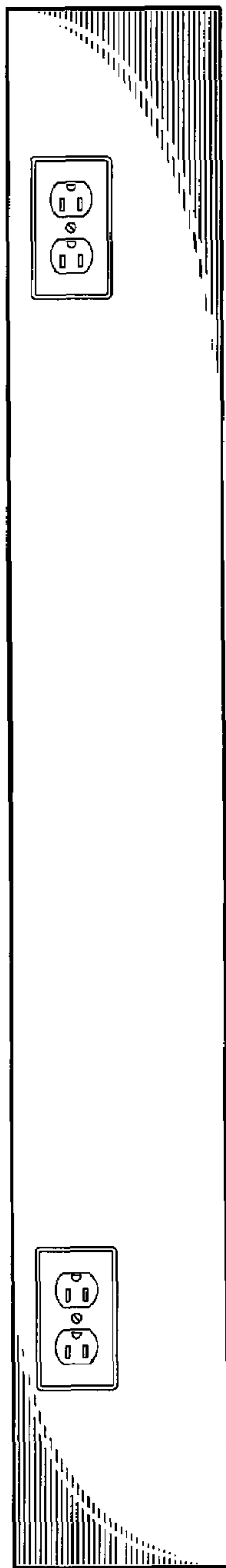


Fig. 4

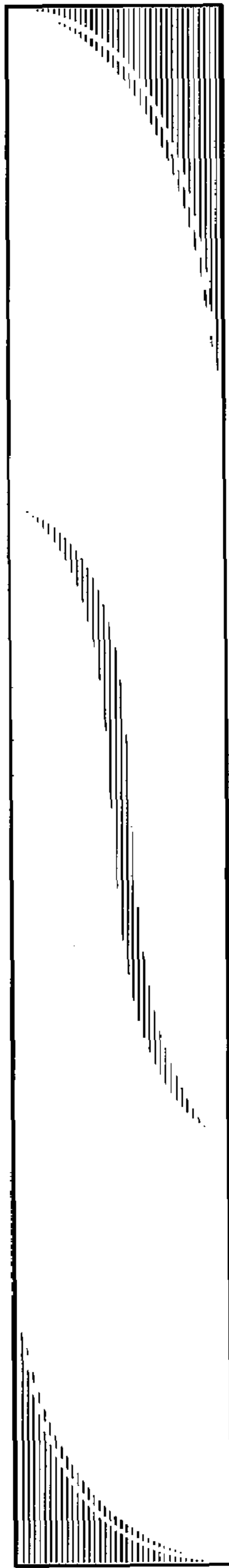


Fig. 5

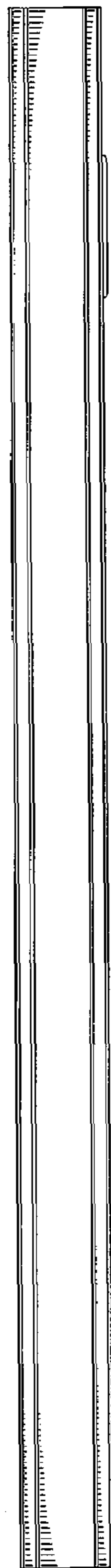


Fig. 6

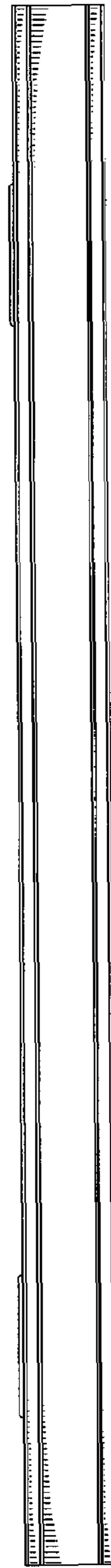


Fig. 7