



US00D590771S

(12) **United States Design Patent**
Yeh

(10) **Patent No.:** **US D590,771 S**

(45) **Date of Patent:** **** Apr. 21, 2009**

(54) **UNINTERRUPTIBLE POWER SUPPLY**

D535,944 S * 1/2007 Albano et al. D13/110

(76) Inventor: **Ming-Hsiang Yeh**, 14F, No. 375,
Nan-Gang District, Fu De St., Taipei City
(TW)

* cited by examiner

Primary Examiner—Stella M Reid

Assistant Examiner—Derrick Holland

(74) *Attorney, Agent, or Firm*—Rosenberg, Klein & Lee

(**) Term: **14 Years**

(21) Appl. No.: **29/309,258**

(57) **CLAIM**

(22) Filed: **Jul. 15, 2008**

The ornamental design for an uninterruptible power supply,
as shown and described.

(51) **LOC (9) Cl.** **13-02**

(52) **U.S. Cl.** **D13/110**

(58) **Field of Classification Search** D13/110,
D13/101, 184, 199; D14/125, 353, 355–356,
D14/496; 307/150, 151; 361/643, 683–685;
363/146

See application file for complete search history.

DESCRIPTION

FIG. 1 is a perspective view of an uninterruptible power
supply showing my new design;

FIG. 2 is a front elevation view thereof;

FIG. 3 is a rear elevation view thereof;

FIG. 4 is a left side view thereof;

FIG. 5 is a right side view thereof;

FIG. 6 is a top plan view thereof;

FIG. 7 is a bottom plan view thereof; and,

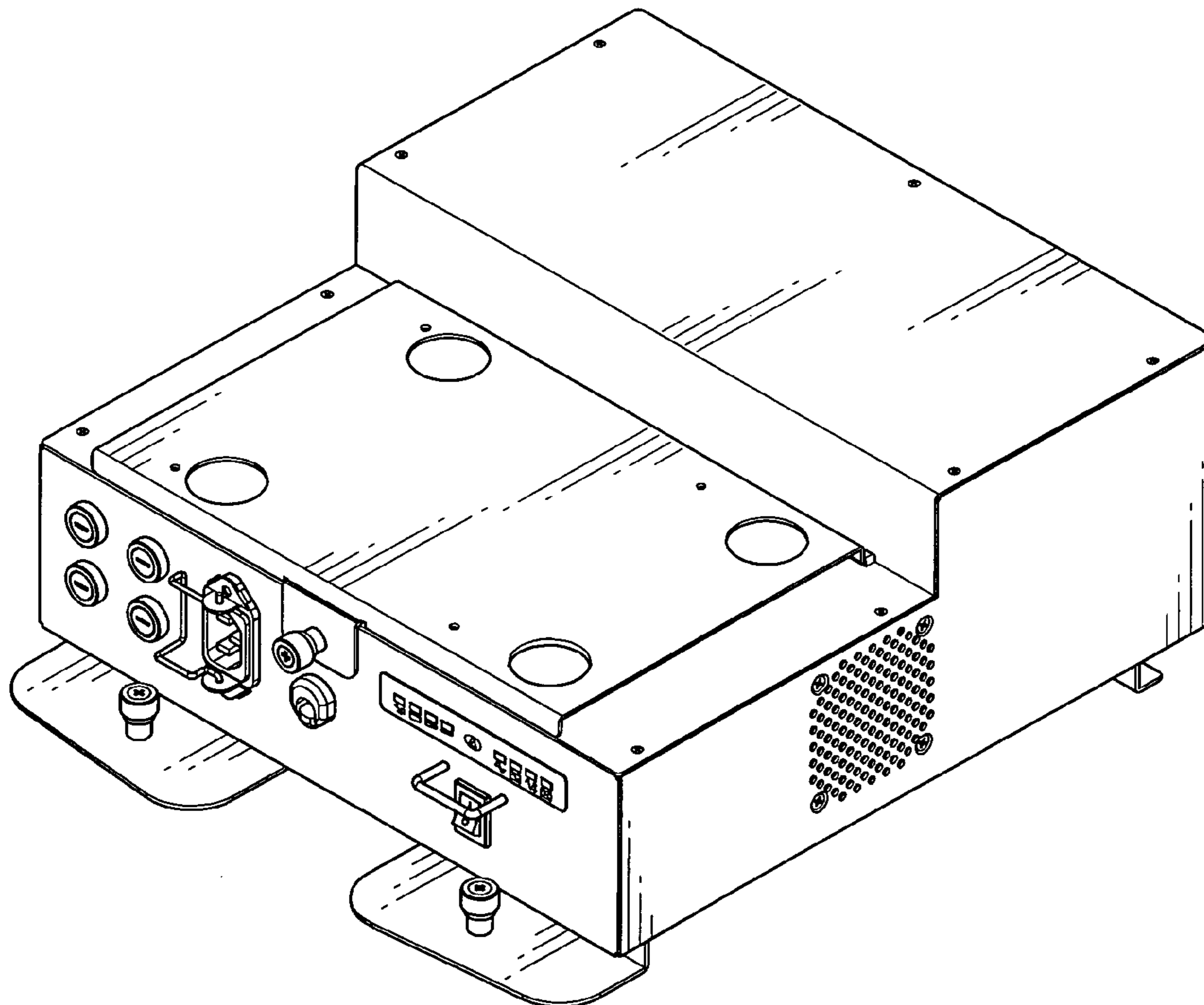
FIG. 8 is a bottom perspective view thereof.

(56) **References Cited**

U.S. PATENT DOCUMENTS

D376,347 S *	12/1996	Mousa	D13/110
D390,532 S *	2/1998	Su	D13/110
5,793,627 A *	8/1998	Caldes et al.	363/146
D403,662 S *	1/1999	Caldes et al.	D13/110
D506,976 S *	7/2005	Dechene et al.	D13/110

1 Claim, 8 Drawing Sheets



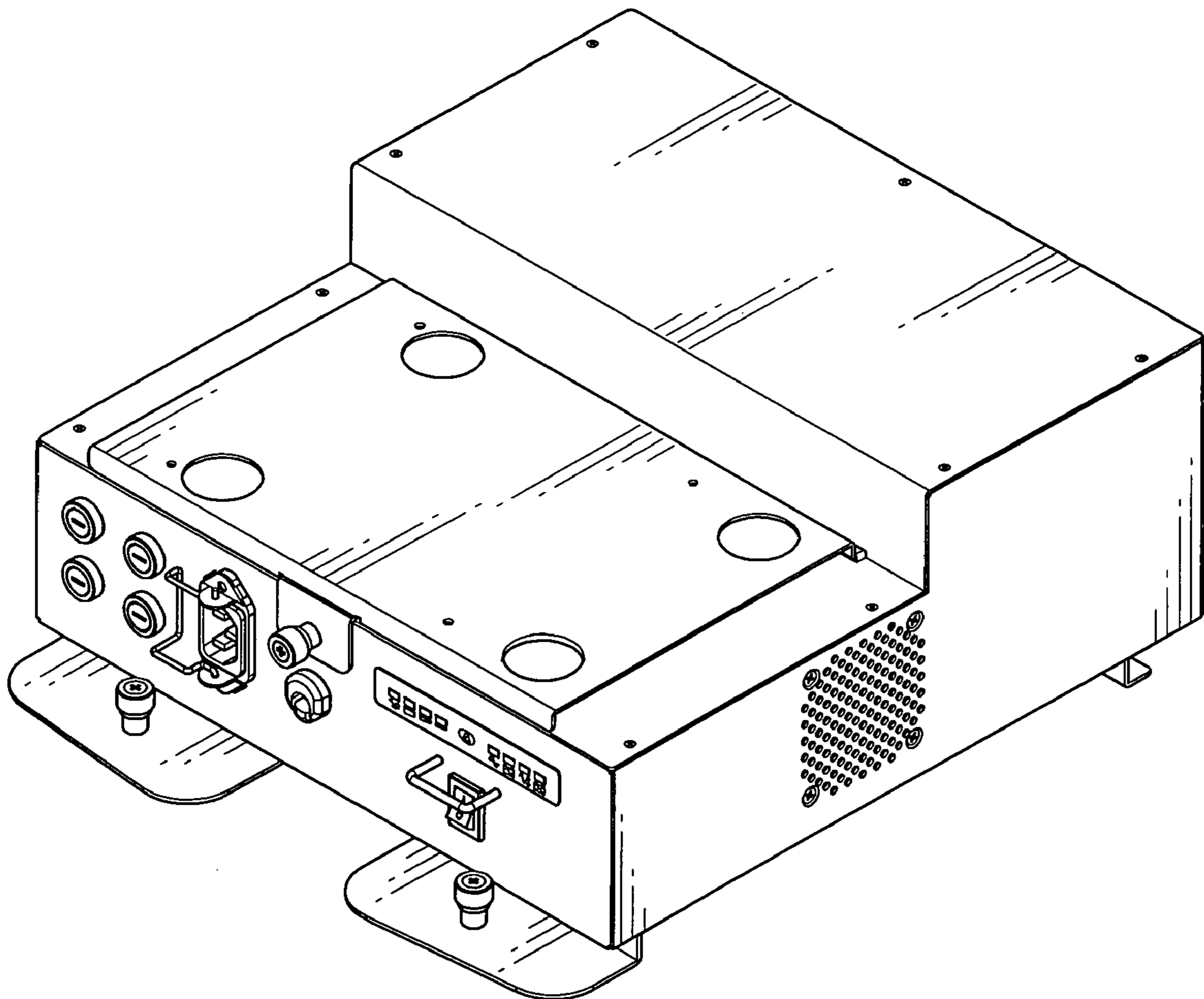


FIG. 1

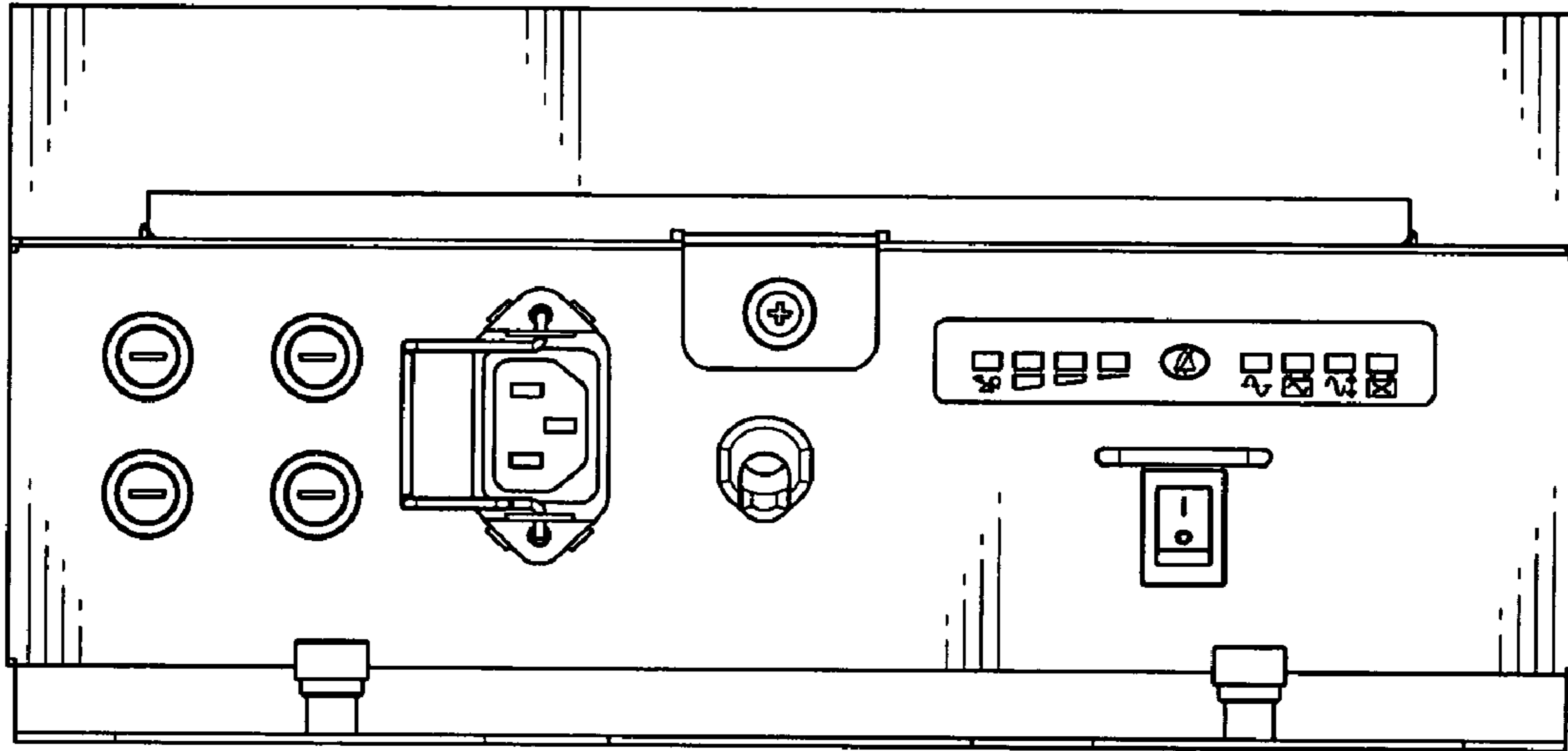


FIG. 2

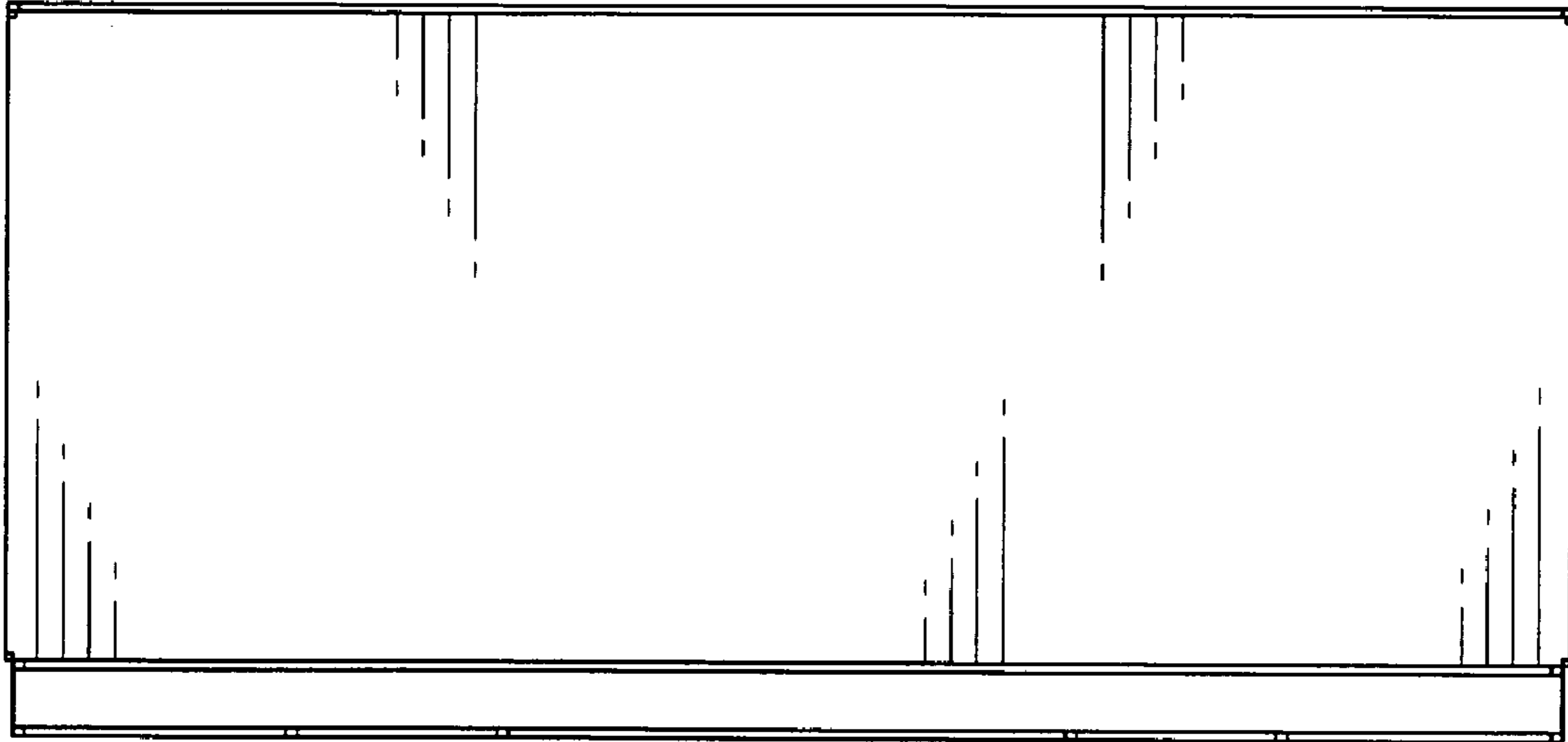


FIG. 3

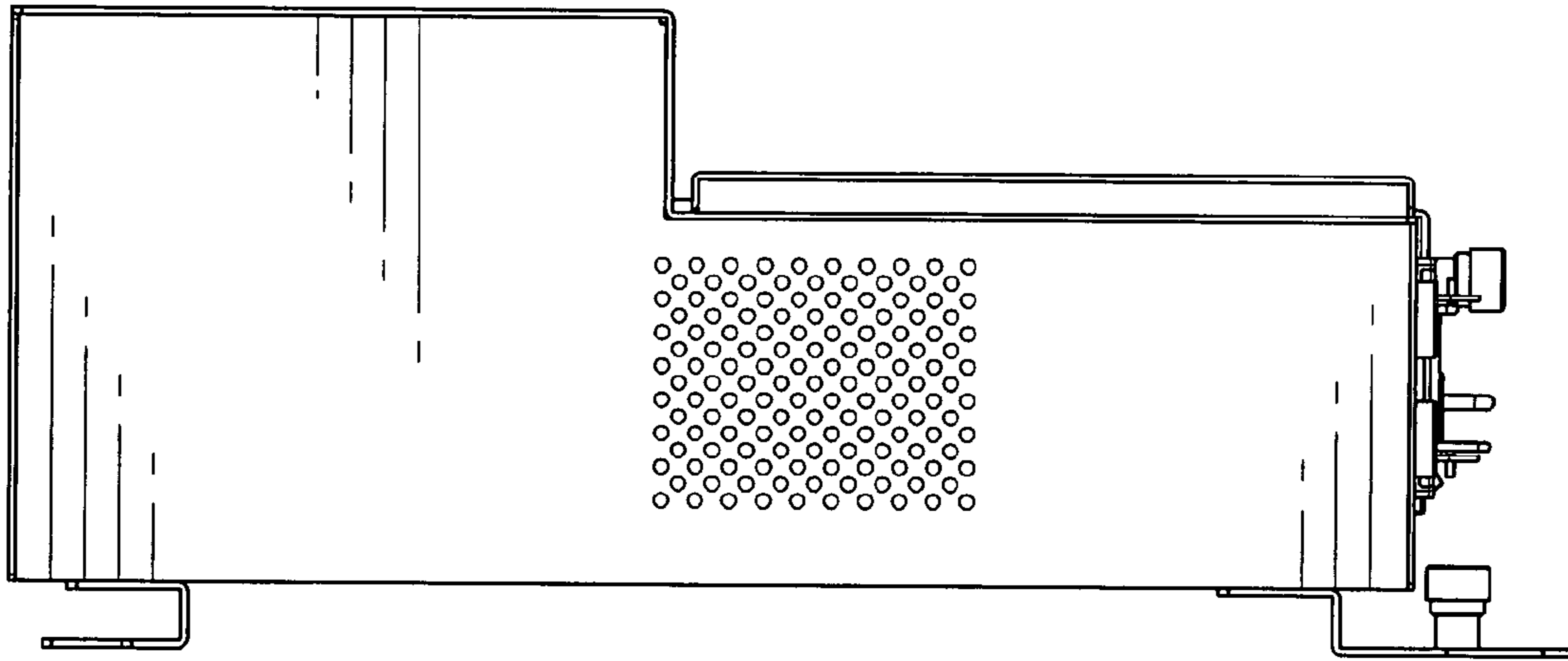


FIG. 4

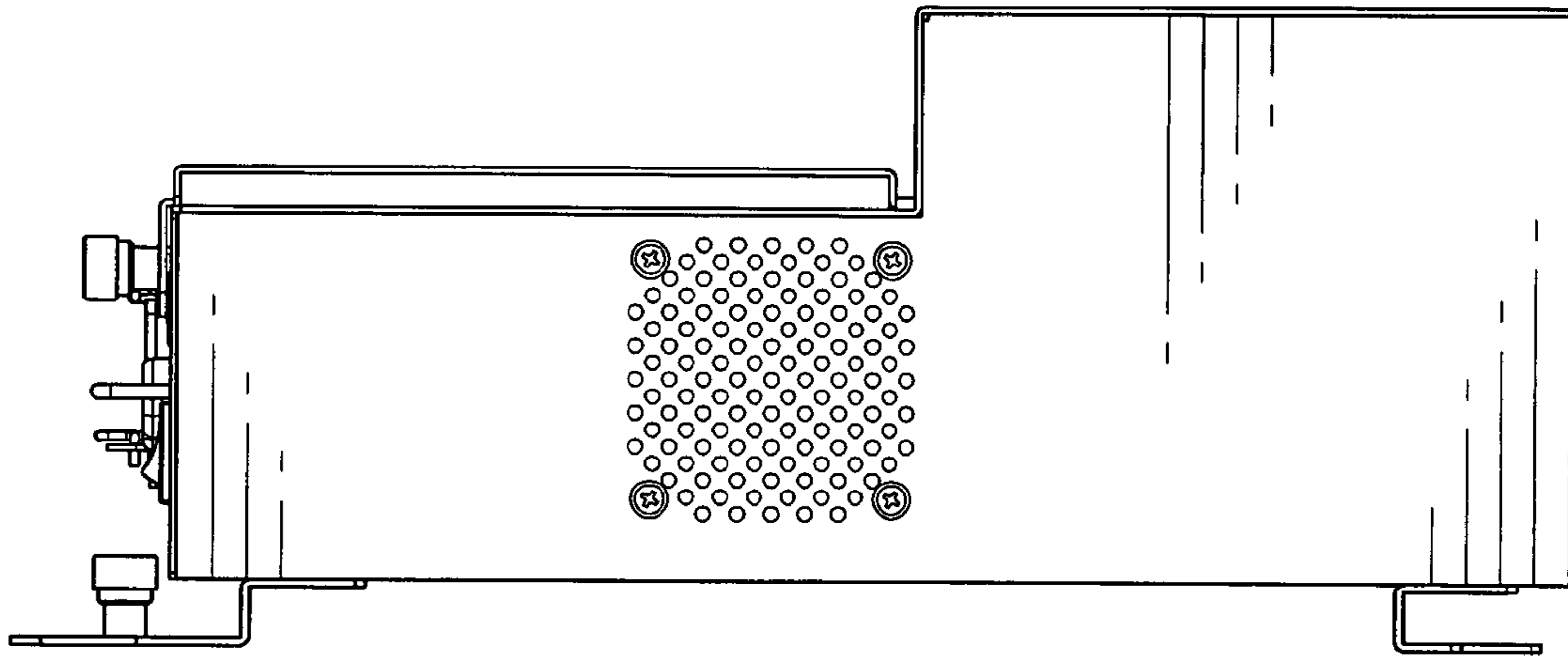


FIG. 5

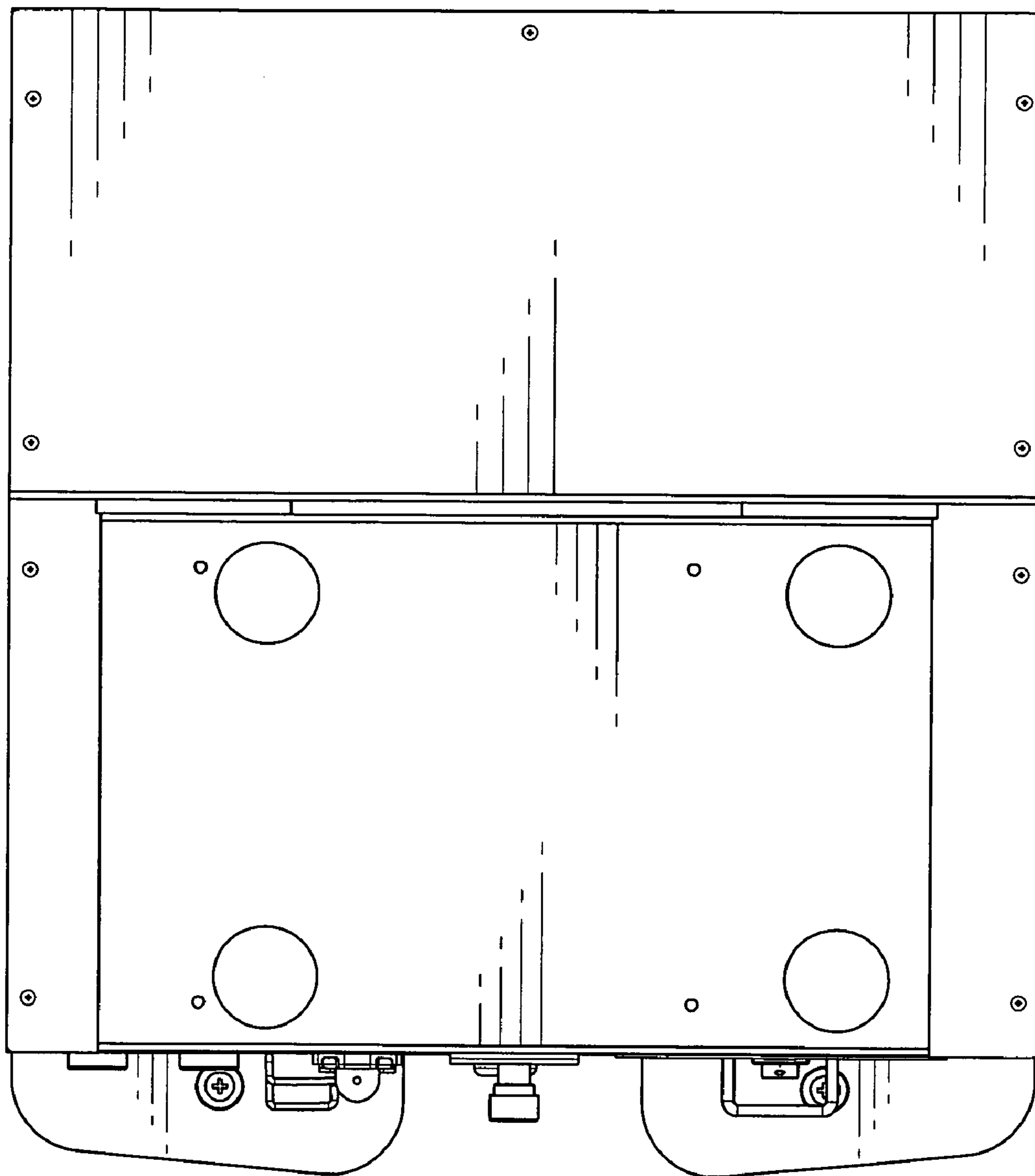


FIG. 6

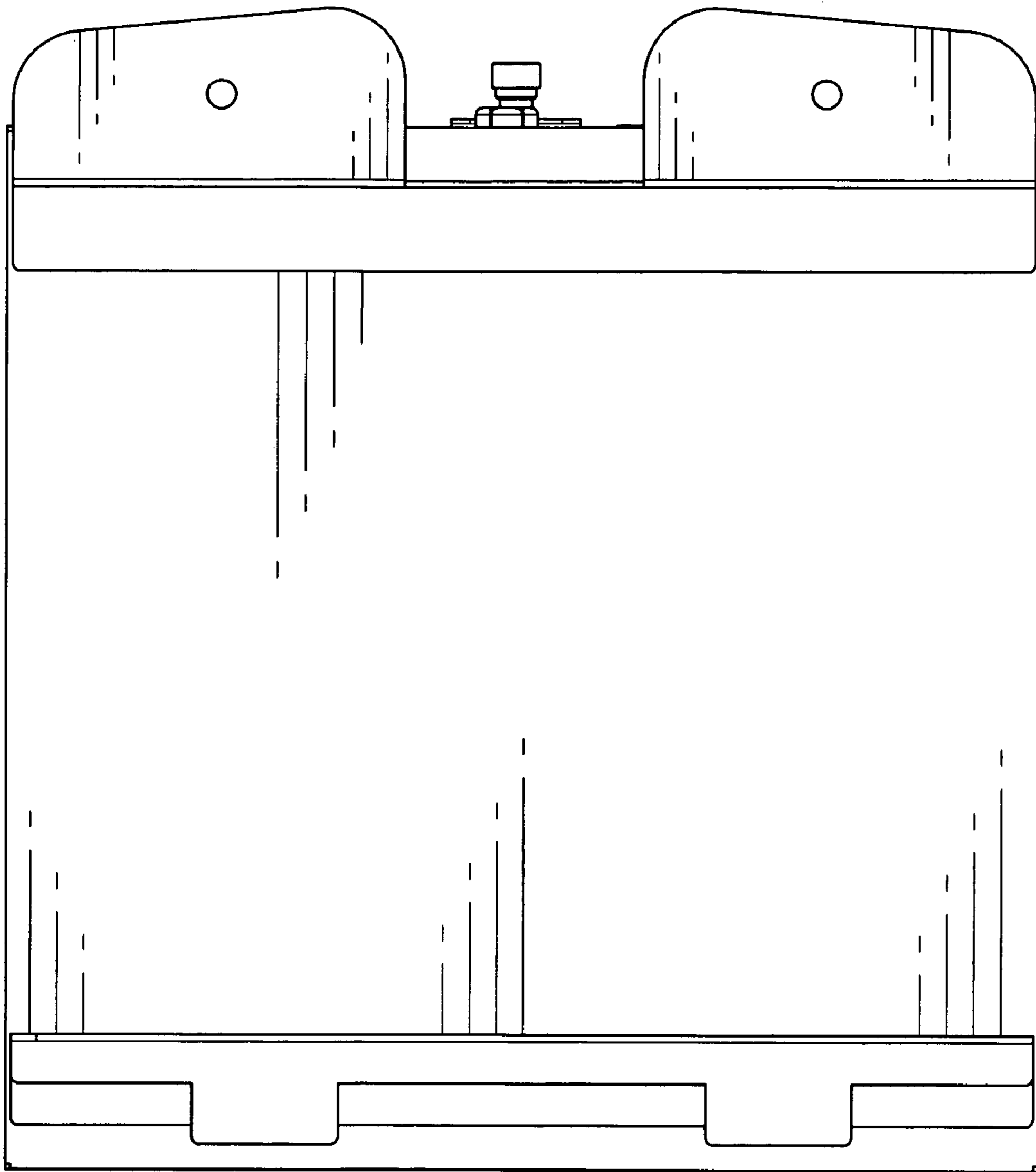


FIG. 7

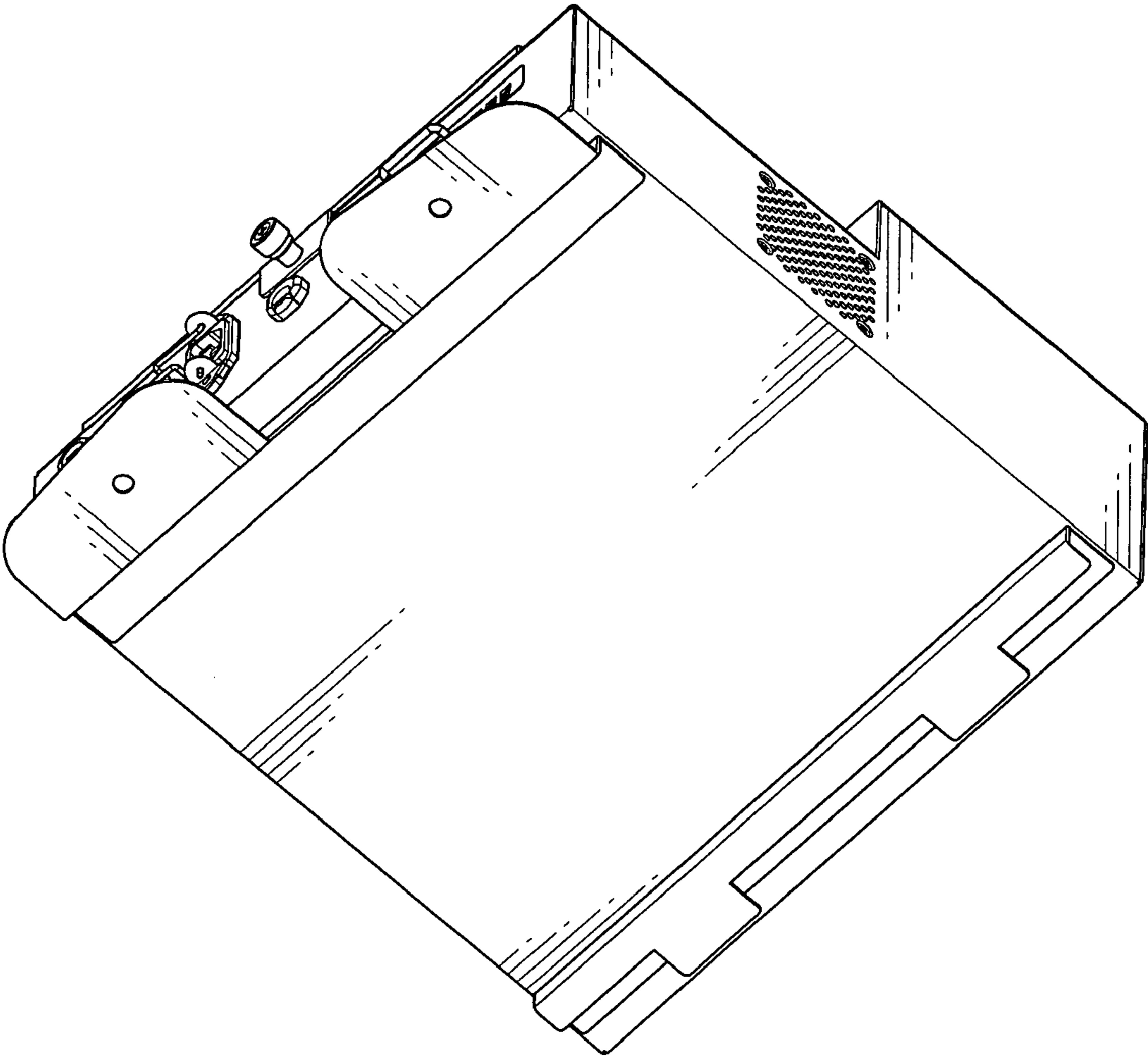


FIG. 8