



US00D590769S

(12) **United States Design Patent**  
**Tatehata et al.**

(10) **Patent No.:** **US D590,769 S**  
(45) **Date of Patent:** **\*\* Apr. 21, 2009**

(54) **RECHARGEABLE BATTERY**

(75) Inventors: **Shouji Tatehata**, Fukushima (JP);  
**Akiko Hikita**, Tokyo (JP)

(73) Assignee: **Sony Corporation**, Tokyo (JP)

(\*\*) Term: **14 Years**

(21) Appl. No.: **29/300,683**

(22) Filed: **Apr. 25, 2008**

(30) **Foreign Application Priority Data**

Jan. 23, 2008 (JP) ..... D2008-001185

(51) **LOC (9) Cl.** ..... **13-02**

(52) **U.S. Cl.** ..... **D13/103**

(58) **Field of Classification Search** ..... D13/102–106,  
D13/110, 118–121, 184; 429/96–100, 163,  
429/176

See application file for complete search history.

(56) **References Cited**

**U.S. PATENT DOCUMENTS**

- 1,075,556 A \* 10/1913 Fenoughty ..... 429/99
- D243,618 S \* 3/1977 Kaye ..... D13/103
- D250,529 S 12/1978 Kaye
- D356,776 S 3/1995 Yoshii
- D362,424 S 9/1995 Sumita et al.
- D370,201 S \* 5/1996 Okano et al. .... D13/103
- D377,477 S 1/1997 Harata et al.
- 5,736,271 A \* 4/1998 Cisar et al. .... 429/96
- D400,493 S \* 11/1998 Witkowski et al. .... D13/103
- D417,187 S 11/1999 Maeyama
- D417,188 S 11/1999 Maeyama
- D428,384 S 7/2000 Maeyama
- 6,447,949 B2 \* 9/2002 Iwata et al. .... 429/185
- D480,682 S 10/2003 Kawase
- D481,995 S 11/2003 Yokota
- D486,784 S 2/2004 Kawasaki

- D509,182 S \* 9/2005 Takeshita et al. .... D13/103
- D516,019 S \* 2/2006 Ohsako et al. .... D13/103
- D516,503 S \* 3/2006 Takeshita et al. .... D13/103
- D529,437 S 10/2006 Miyashita et al.
- D538,222 S \* 3/2007 Curello et al. .... D13/103
- D544,438 S \* 6/2007 Hussaini et al. .... D13/110
- D548,684 S \* 8/2007 Eto et al. .... D13/103
- D559,176 S 1/2008 Ueda
- D561,687 S \* 2/2008 Sween et al. .... D13/110
- D568,244 S 5/2008 Suzuki et al.

**FOREIGN PATENT DOCUMENTS**

JP D1290911 S 1/2007

**OTHER PUBLICATIONS**

Web Page Press Release “NP-BG1” <http://www.sony.jp/CorporateCruise/Press/200511/15-1101B/>, 5 pages, Sony, (Nov. 2005).

\* cited by examiner

*Primary Examiner*—Jennifer Rivard  
*Assistant Examiner*—Rosemary K Tarcza  
(74) *Attorney, Agent, or Firm*—Rader, Fishman & Grauer, PLLC

(57) **CLAIM**

The ornamental design for a rechargeable battery, as shown.

**DESCRIPTION**

FIG. 1 is a perspective view of a rechargeable battery showing our new design;

FIG. 2 is a front elevational view thereof;

FIG. 3 is a rear elevational view thereof;

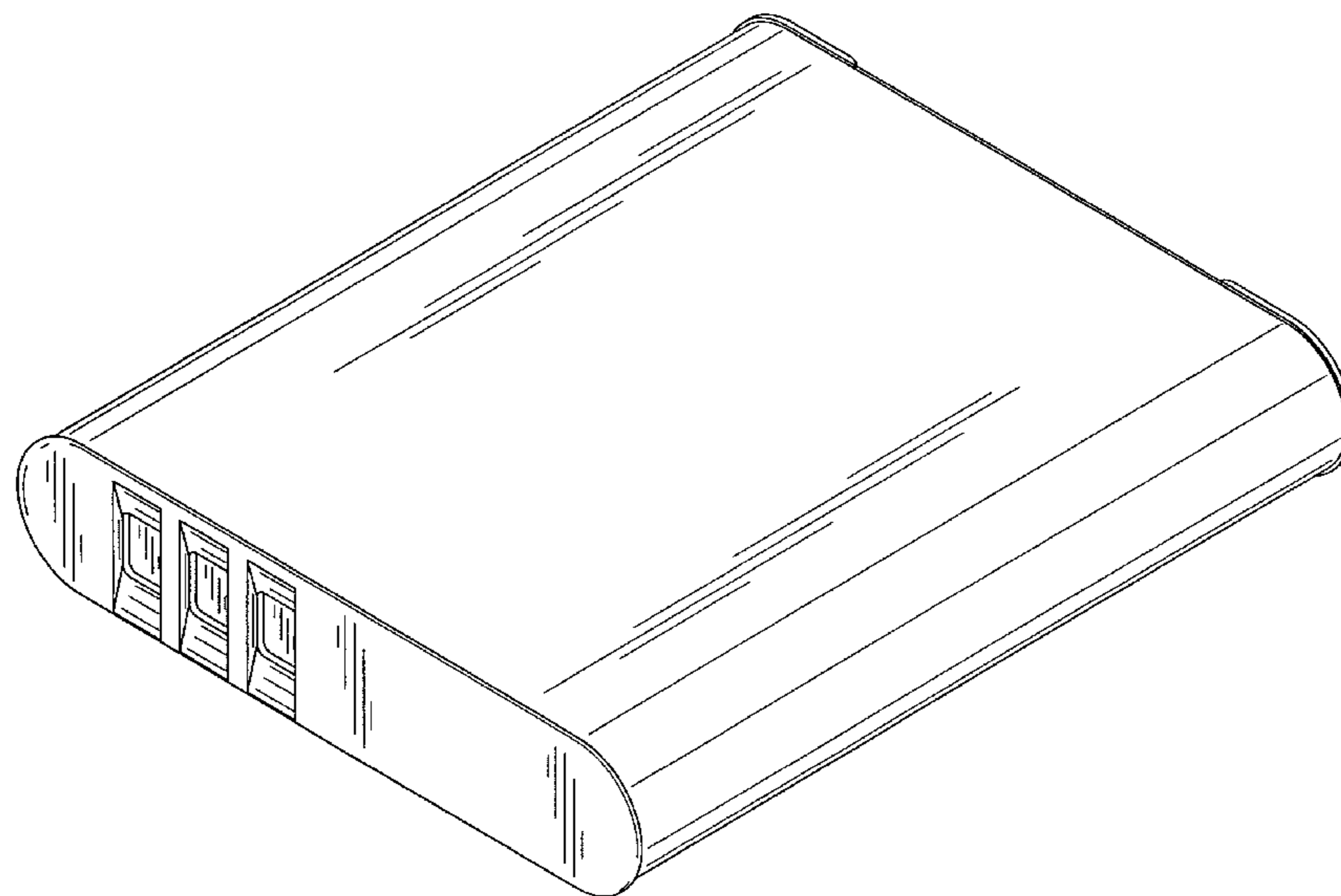
FIG. 4 is a left side elevational view thereof;

FIG. 5 is a right side elevational view thereof;

FIG. 6 is a top plan view thereof; and,

FIG. 7 is a bottom plan view thereof.

**1 Claim, 7 Drawing Sheets**



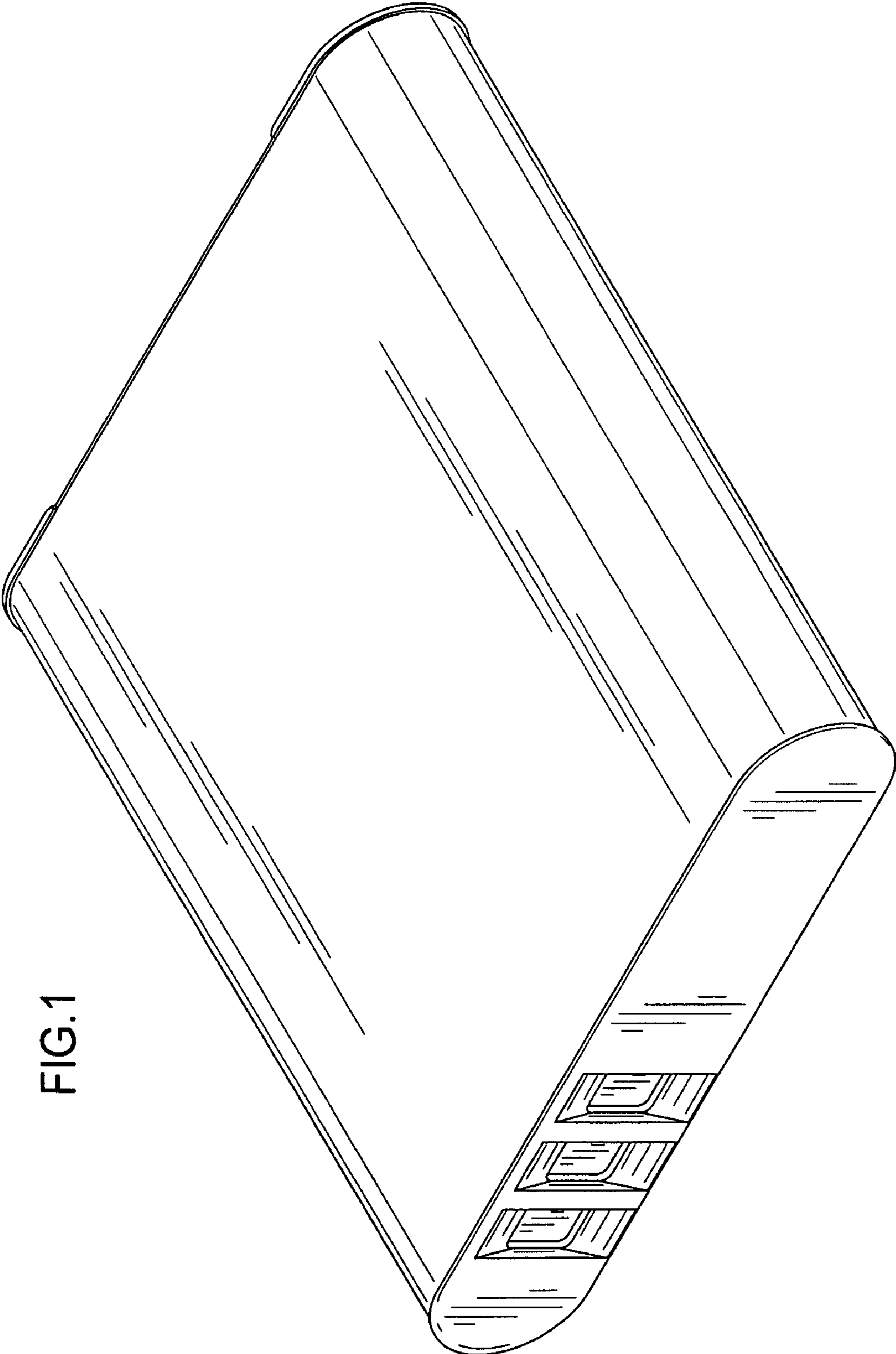


FIG.1

FIG.2

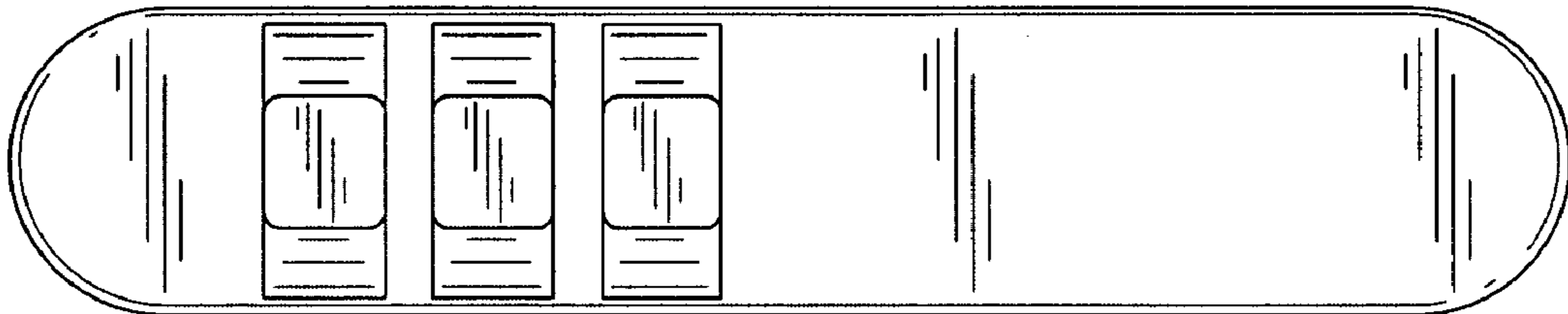


FIG.3

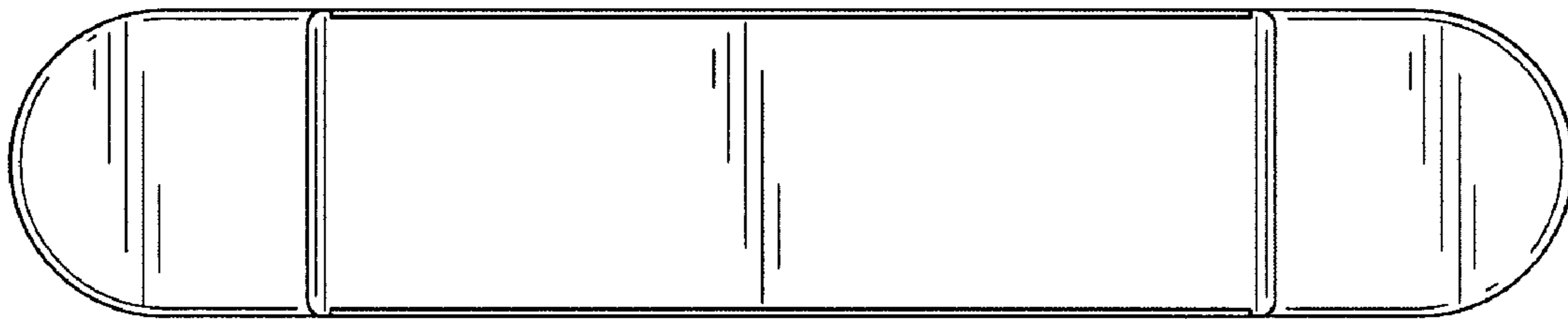


FIG.4

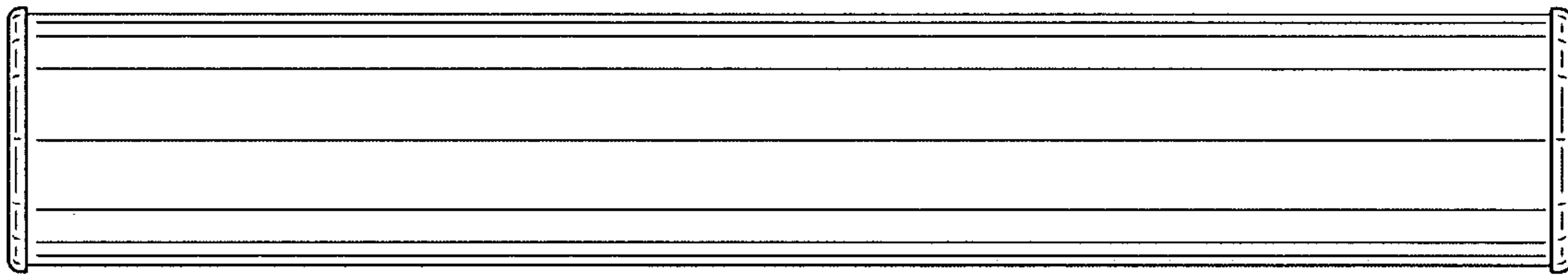


FIG.5

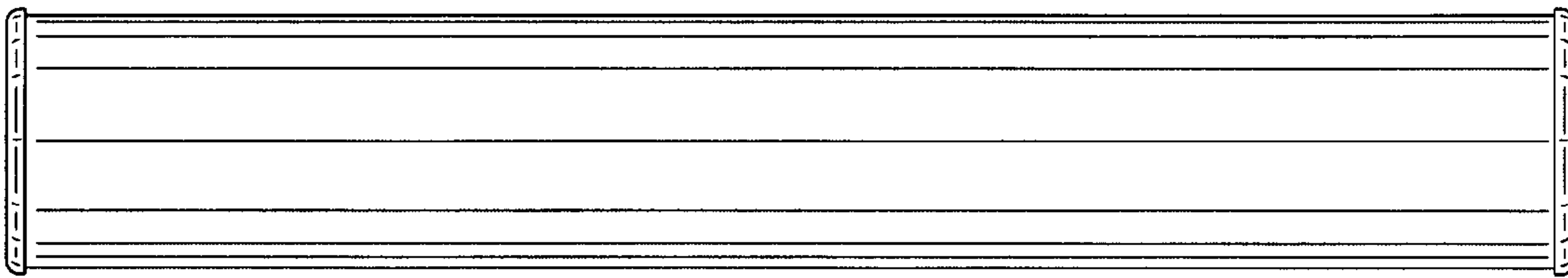


FIG.6

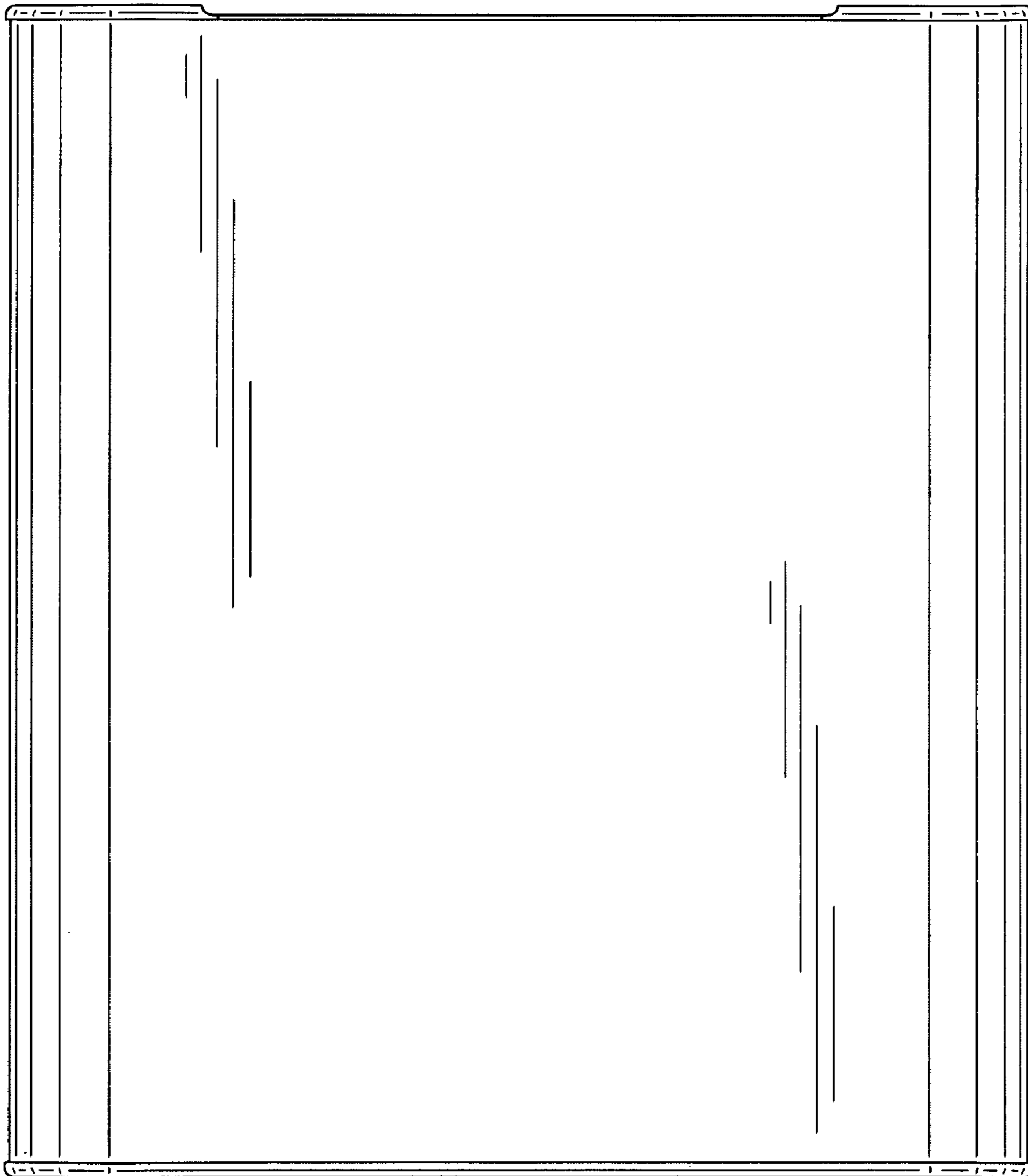


FIG.7

