

US00D590768S

(12) **United States Design Patent**
Feng et al.

(10) **Patent No.:** **US D590,768 S**

(45) **Date of Patent:** **** Apr. 21, 2009**

(54) **SOLAR CELL**

(75) Inventors: **Aiguo Feng**, Mountain View, CA (US);
Ann Koo, Los Altos, CA (US)

(73) Assignee: **Ahbee 1, L.P.**, San Jose, CA (US)

(**) Term: **14 Years**

(21) Appl. No.: **29/313,110**

(22) Filed: **Dec. 8, 2008**

(51) **LOC (9) Cl.** **13-02**

(52) **U.S. Cl.** **D13/102**

(58) **Field of Classification Search** D13/102,
D13/101, 199; D21/363, 364, 484; D25/113,
D25/116, 120; 126/569; 136/243, 244, 251;
438/66, 72, 80

See application file for complete search history.

(56) **References Cited**

U.S. PATENT DOCUMENTS

- 3,456,446 A * 7/1969 Kusatake 405/29
- D244,537 S * 5/1977 Riley D13/102
- 4,029,518 A * 6/1977 Matsutani et al. 136/256
- D263,393 S * 3/1982 Lindmayer D13/102
- D272,302 S * 1/1984 Connelly D6/337
- D273,969 S * 5/1984 Hitchens D22/147

- D380,792 S * 7/1997 Gabriel D21/489
- D391,921 S * 3/1998 Zimmer et al. D13/102
- D394,894 S * 6/1998 Strawcutter et al. D21/814
- D469,058 S * 1/2003 Shugar D13/102
- 6,525,262 B1 * 2/2003 Makita et al. 136/244
- D516,017 S * 2/2006 Mascolo D13/102
- 2004/0007260 A1 * 1/2004 Dinwoodie 136/251

* cited by examiner

Primary Examiner—Prabhakar Deshmukh

Assistant Examiner—Derrick Holland

(57) **CLAIM**

The ornamental design for a solar cell, as shown and described.

DESCRIPTION

FIG. 1 is an enlarged perspective view of a solar cell showing our new design;

FIG. 2 is a rear side view thereof;

FIG. 3 is a top plan view thereof;

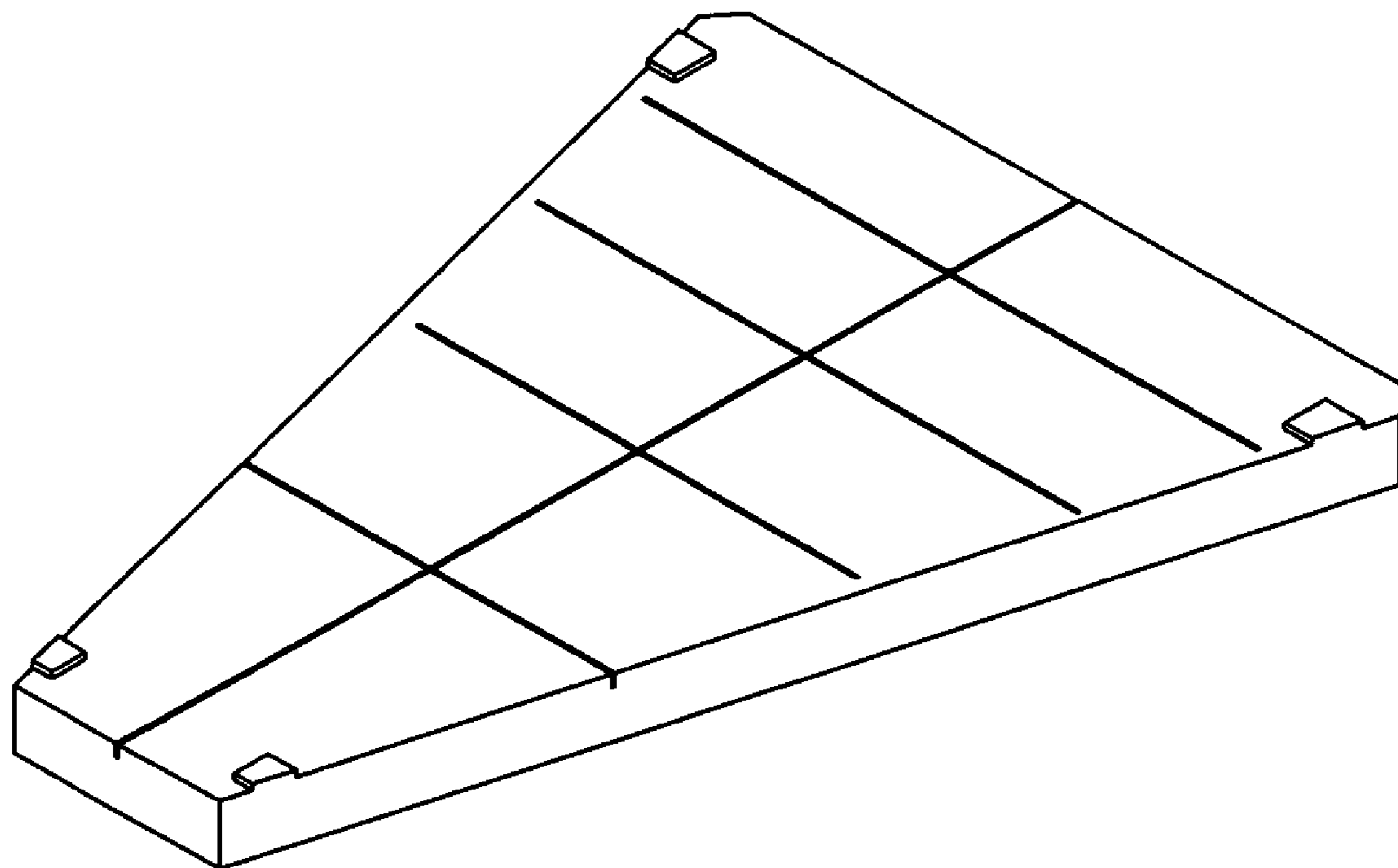
FIG. 4 is a left side view thereof;

FIG. 5 is a front side view thereof;

FIG. 6 is right side view thereof; and,

FIG. 7 is a bottom plan view thereof.

1 Claim, 2 Drawing Sheets



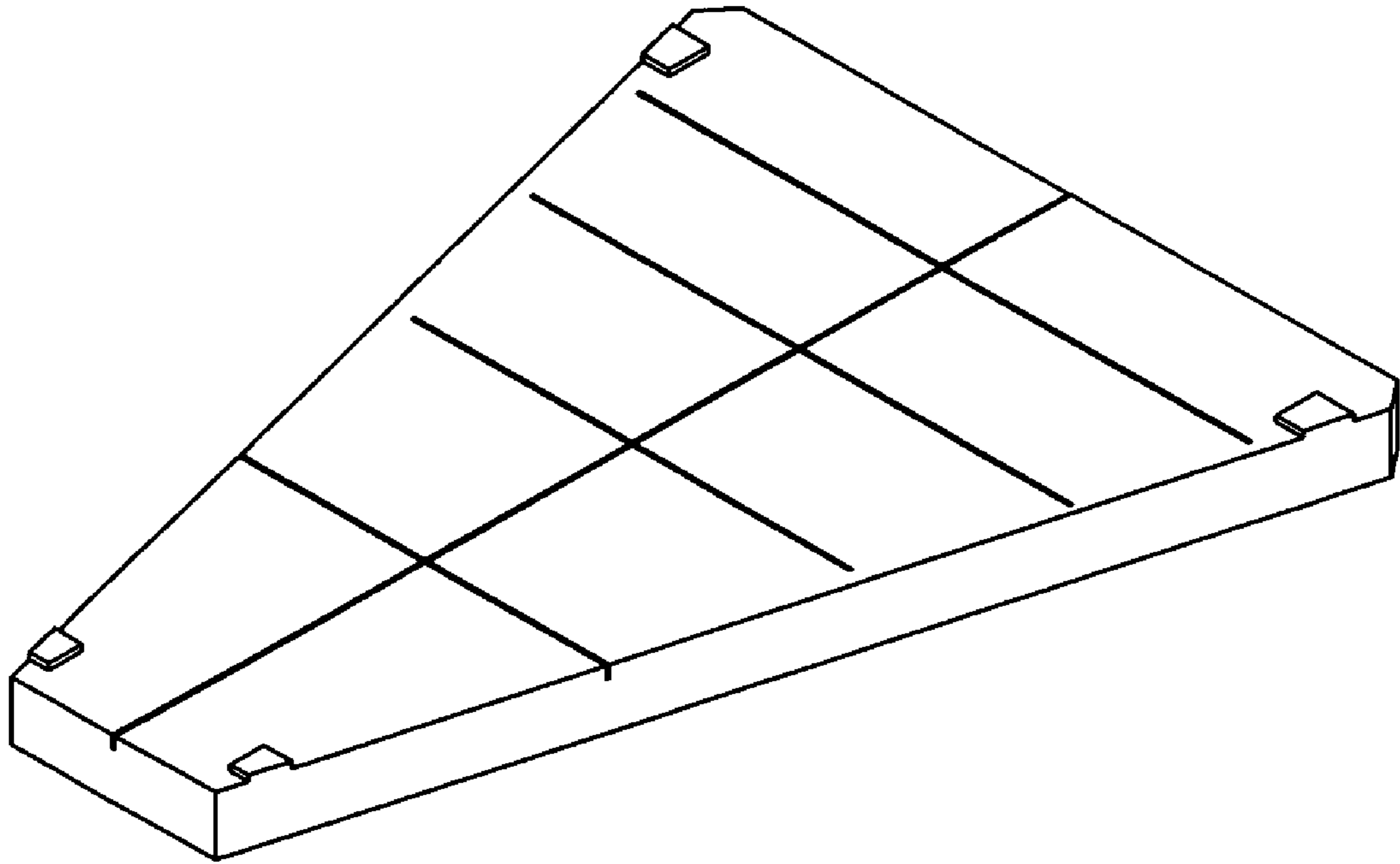


Fig. 1

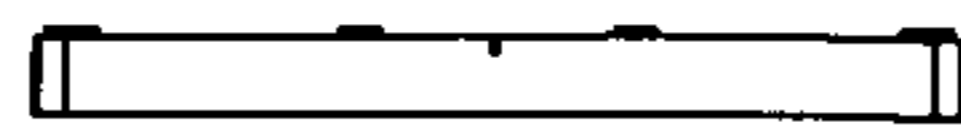


Fig. 2

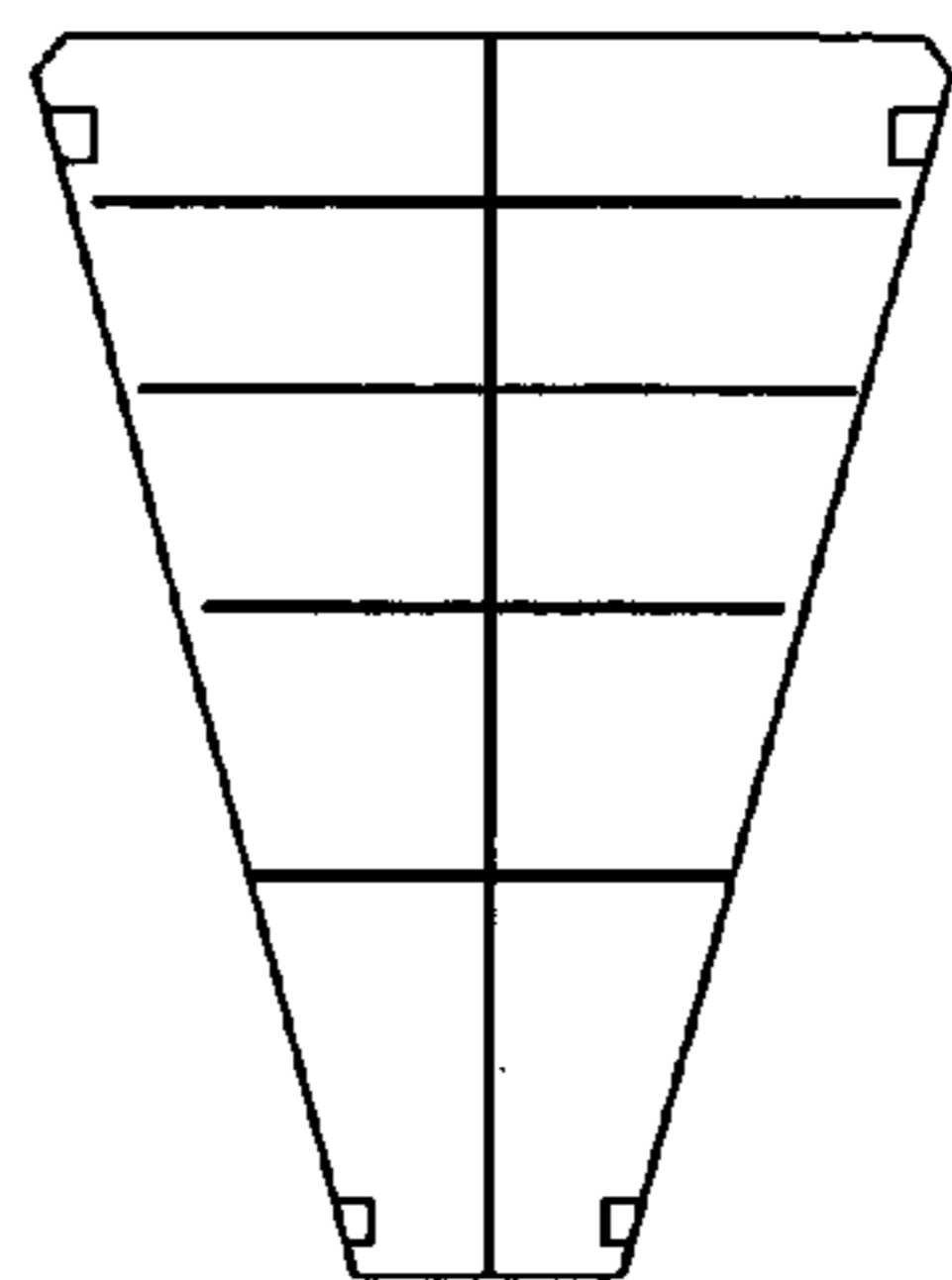


Fig. 3

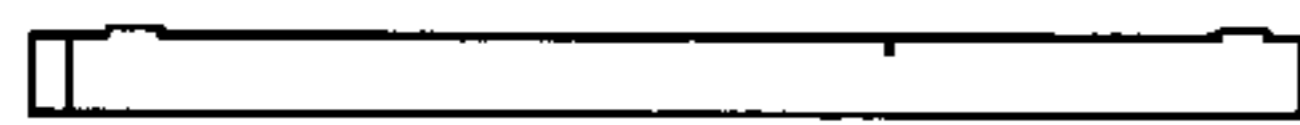


Fig. 4

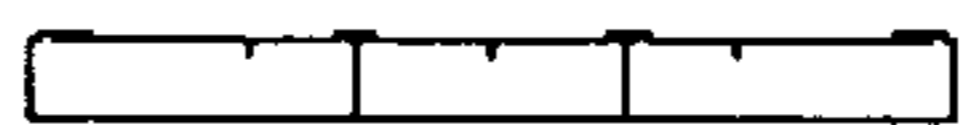


Fig. 5

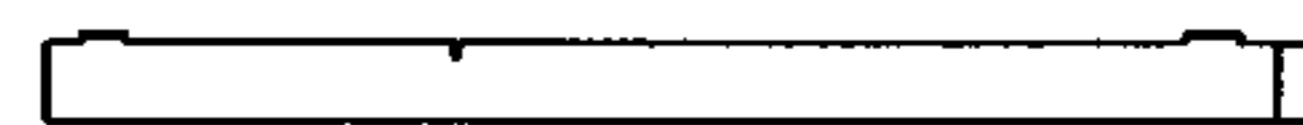


Fig. 6

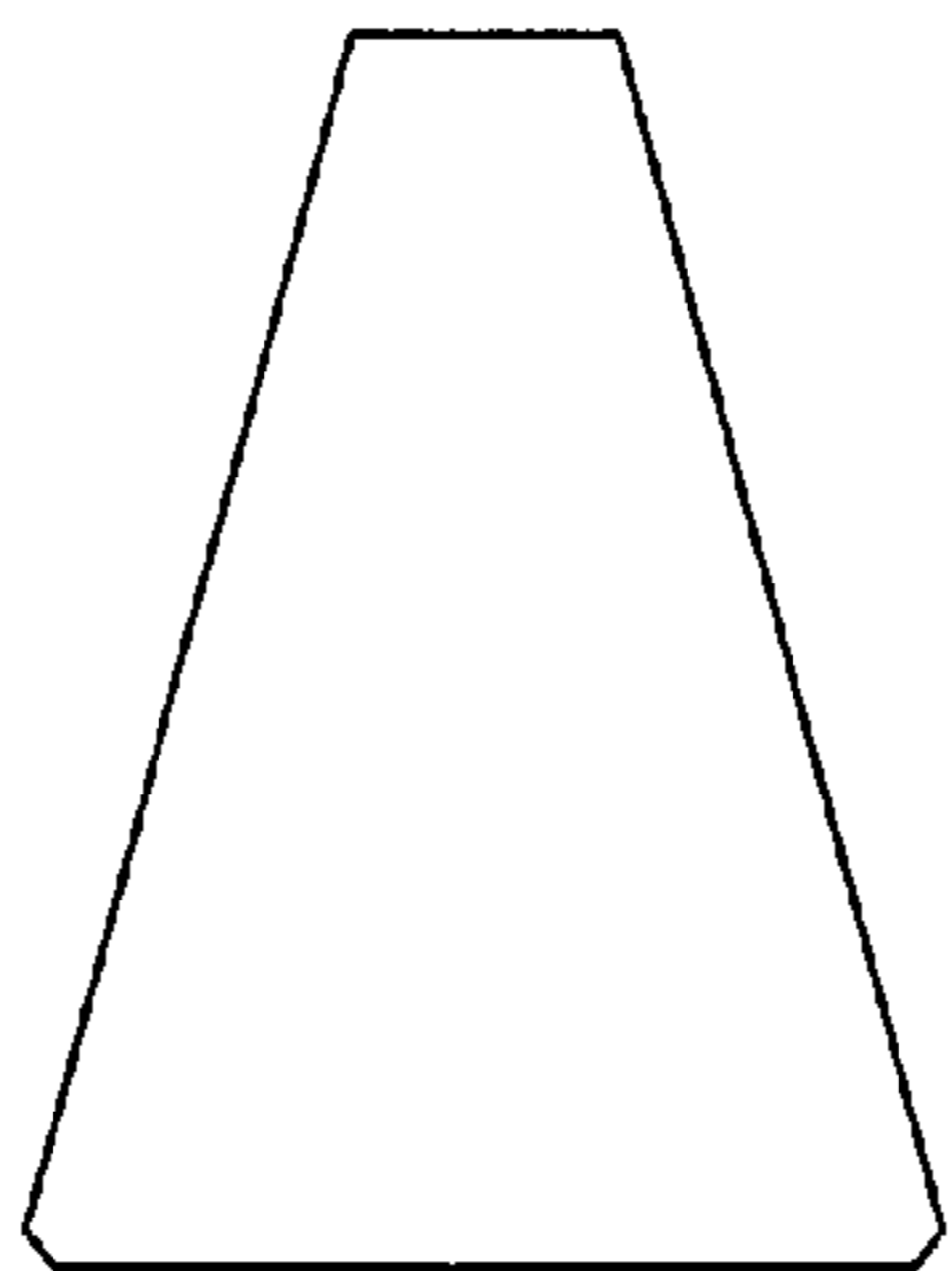


Fig. 7