



US00D590759S

(12) **United States Design Patent**  
**Eaton**

(10) **Patent No.:** **US D590,759 S**  
(45) **Date of Patent:** **\*\* Apr. 21, 2009**

(54) **WEIGHTED VEHICLE WHEEL ASSEMBLY**

D451,465 S \* 12/2001 Donikoglu ..... D12/210  
D515,002 S \* 2/2006 Looho ..... D12/210  
D572,648 S \* 7/2008 Musser ..... D12/210

(75) Inventor: **James Arthur Eaton**, Antelope, CA  
(US)

\* cited by examiner

(73) Assignee: **Vanquish Products, LLC**, Los Gatos,  
CA (US)

*Primary Examiner*—Stacia Cadmus  
(74) *Attorney, Agent, or Firm*—Foley & Lardner LLP

(\*\*) Term: **14 Years**

(57) **CLAIM**

(21) Appl. No.: **29/319,092**

The ornamental design for the weighted vehicle wheel assembly, as shown.

(22) Filed: **Jun. 3, 2008**

(51) **LOC (9) Cl.** ..... **12-16**

**DESCRIPTION**

(52) **U.S. Cl.** ..... **D12/210**

(58) **Field of Classification Search** ..... D12/204–213;  
301/37.101, 64.101, 65, 64.201  
See application file for complete search history.

FIG. 1 is a front view of a front face of a weighted vehicle wheel assembly according to the design;

FIG. 2 is a perspective view of a front face of the weighted vehicle wheel assembly according to the design; and,

FIG. 3 is a perspective view of a back face of the weighted vehicle wheel assembly according to the design.

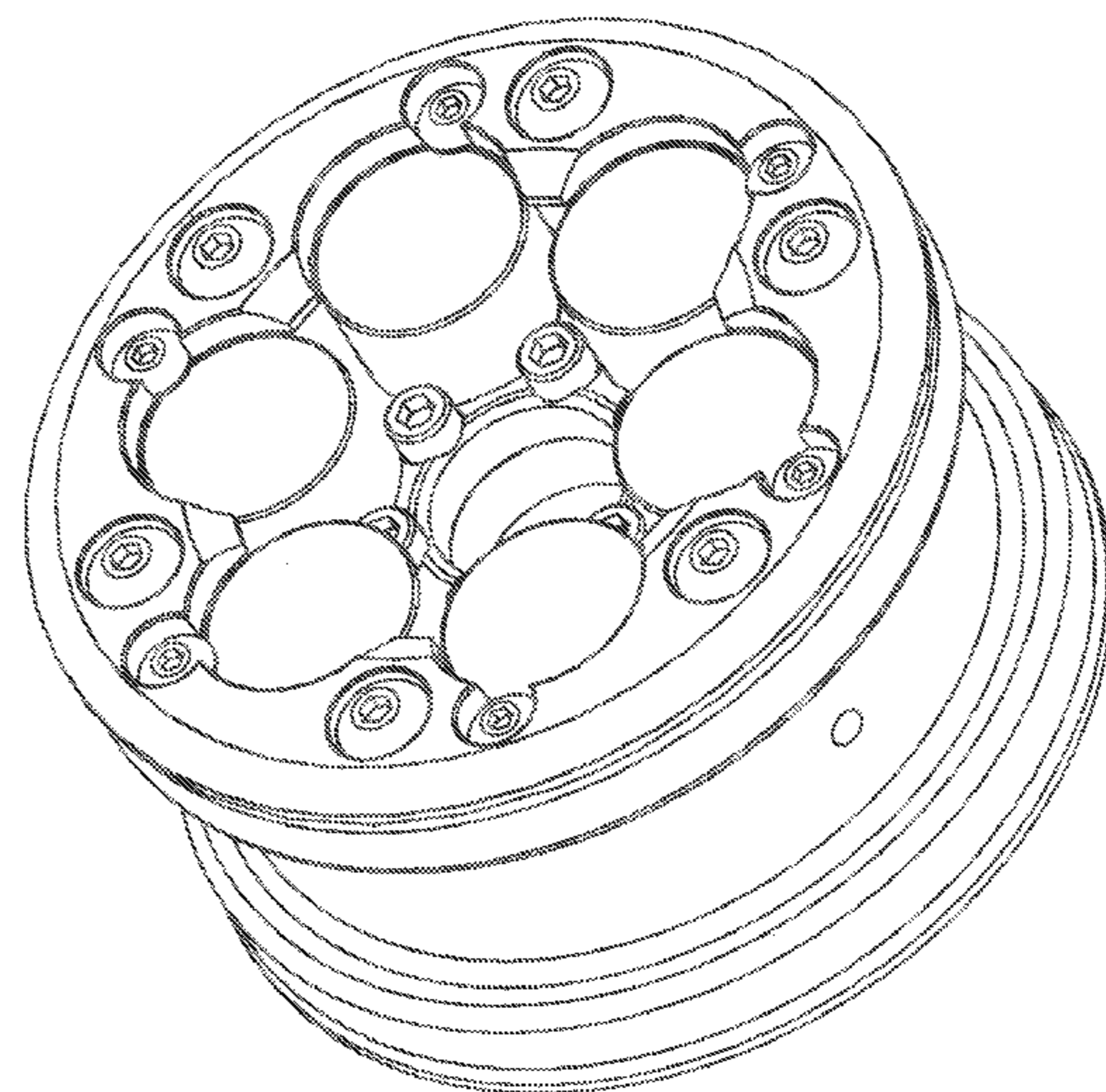
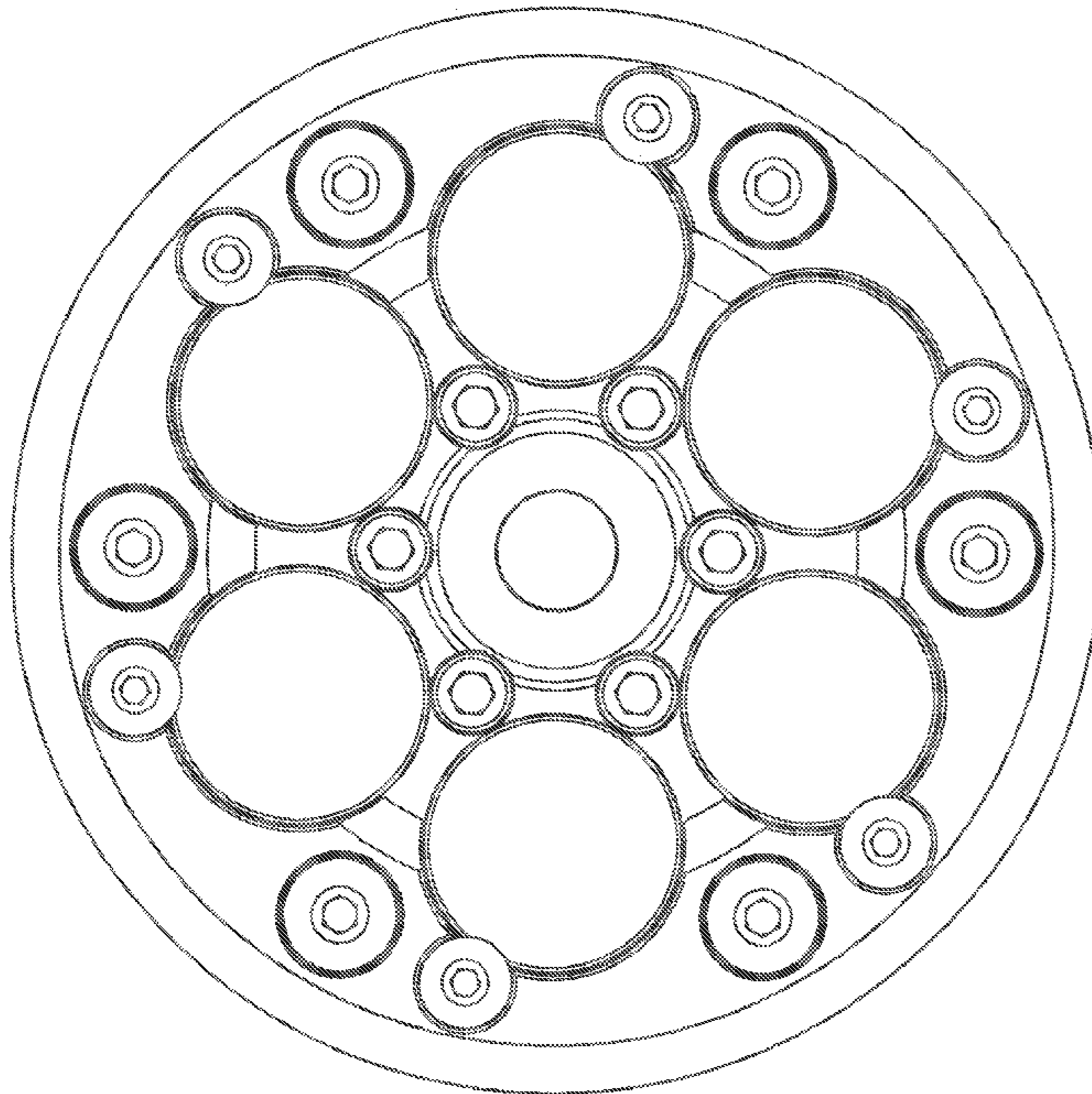
(56) **References Cited**

**U.S. PATENT DOCUMENTS**

D194,099 S \* 11/1962 Walsh ..... D12/210  
D361,975 S \* 9/1995 Weld ..... D12/210  
D430,094 S \* 8/2000 Hale, Jr. .... D12/210  
D436,910 S \* 1/2001 Hale, Jr. .... D12/210

The ornamental design which is claimed is shown in solid lines in the drawings.

**1 Claim, 3 Drawing Sheets**



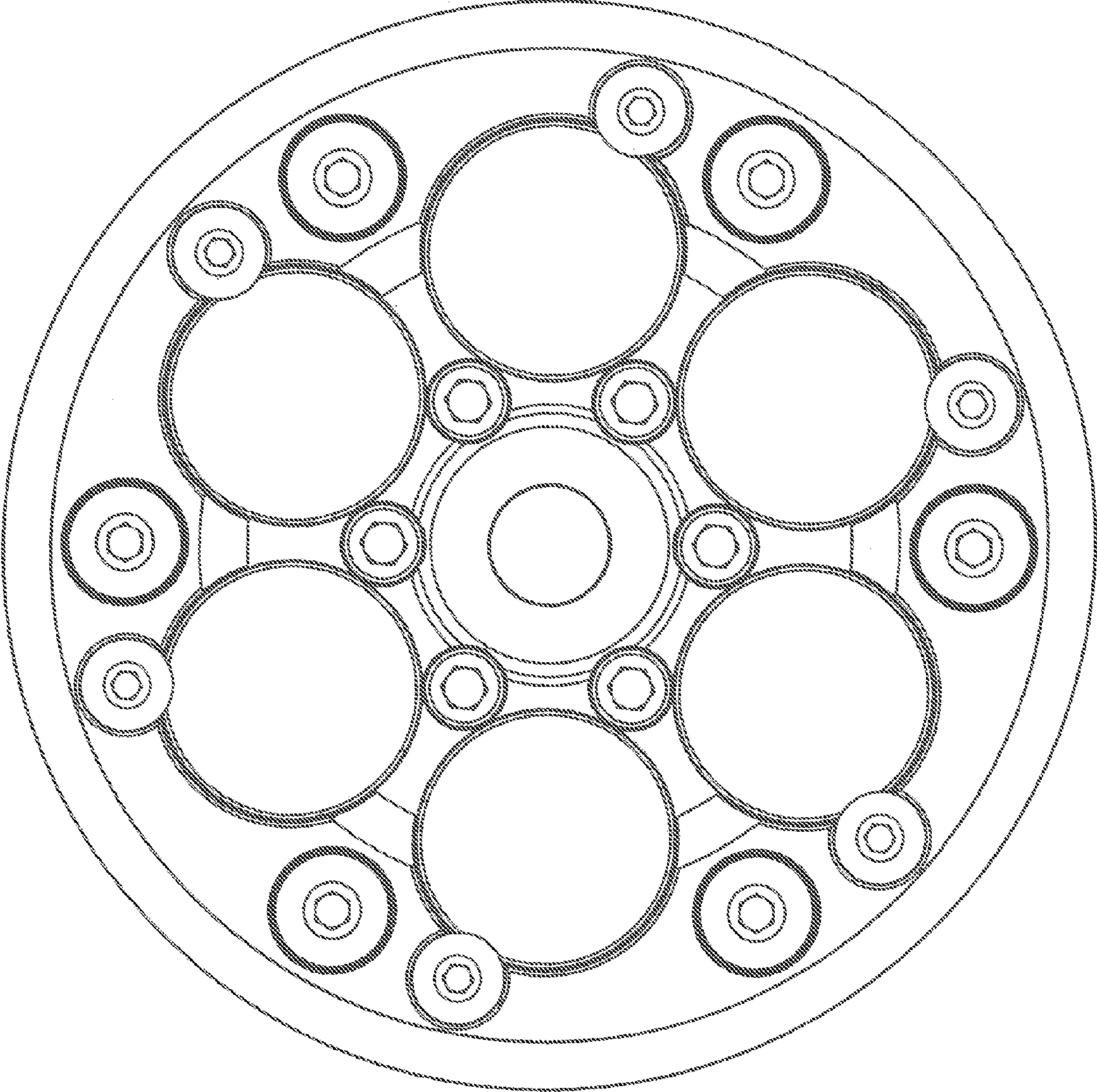


FIG. 1

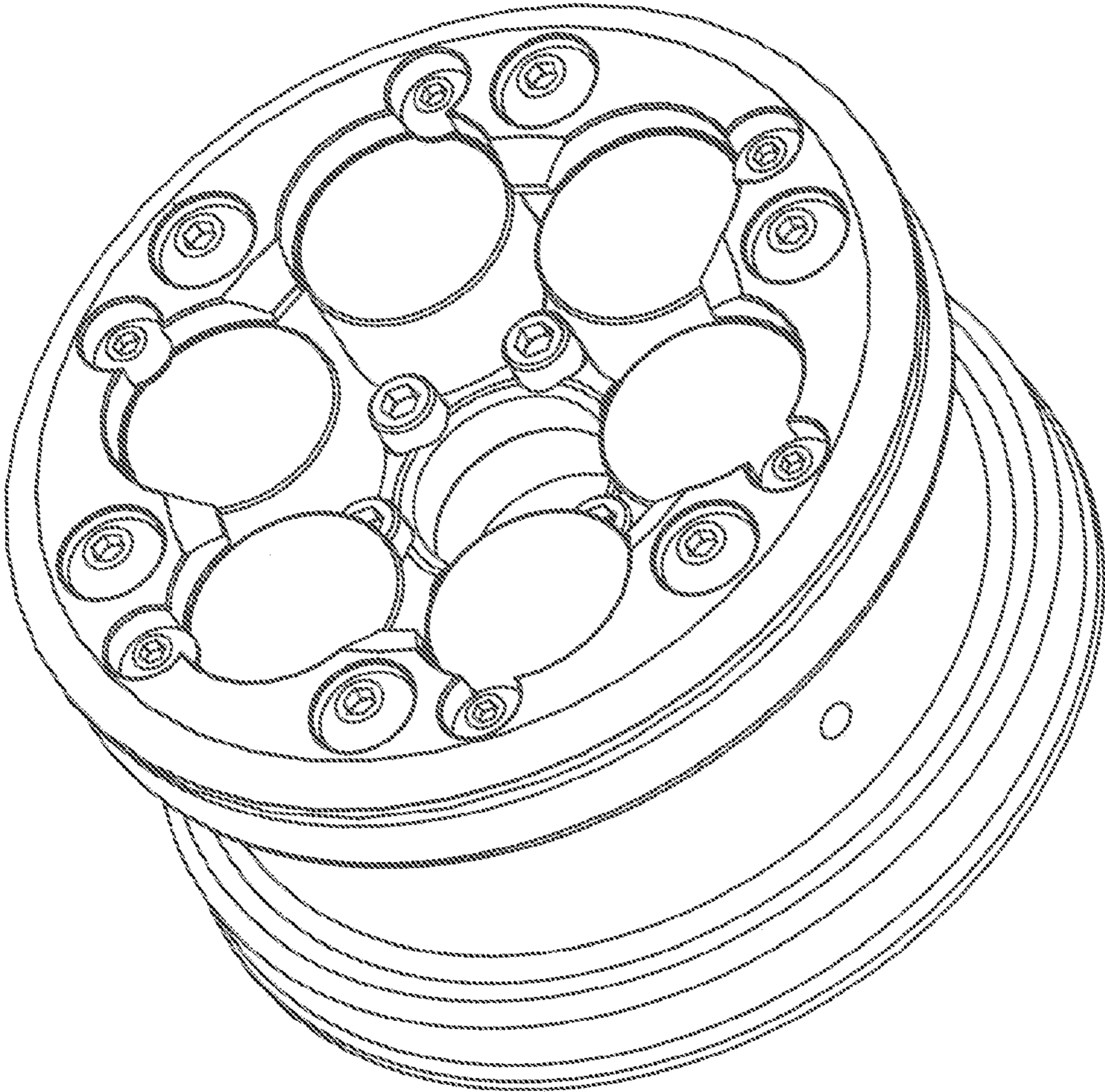


FIG. 2

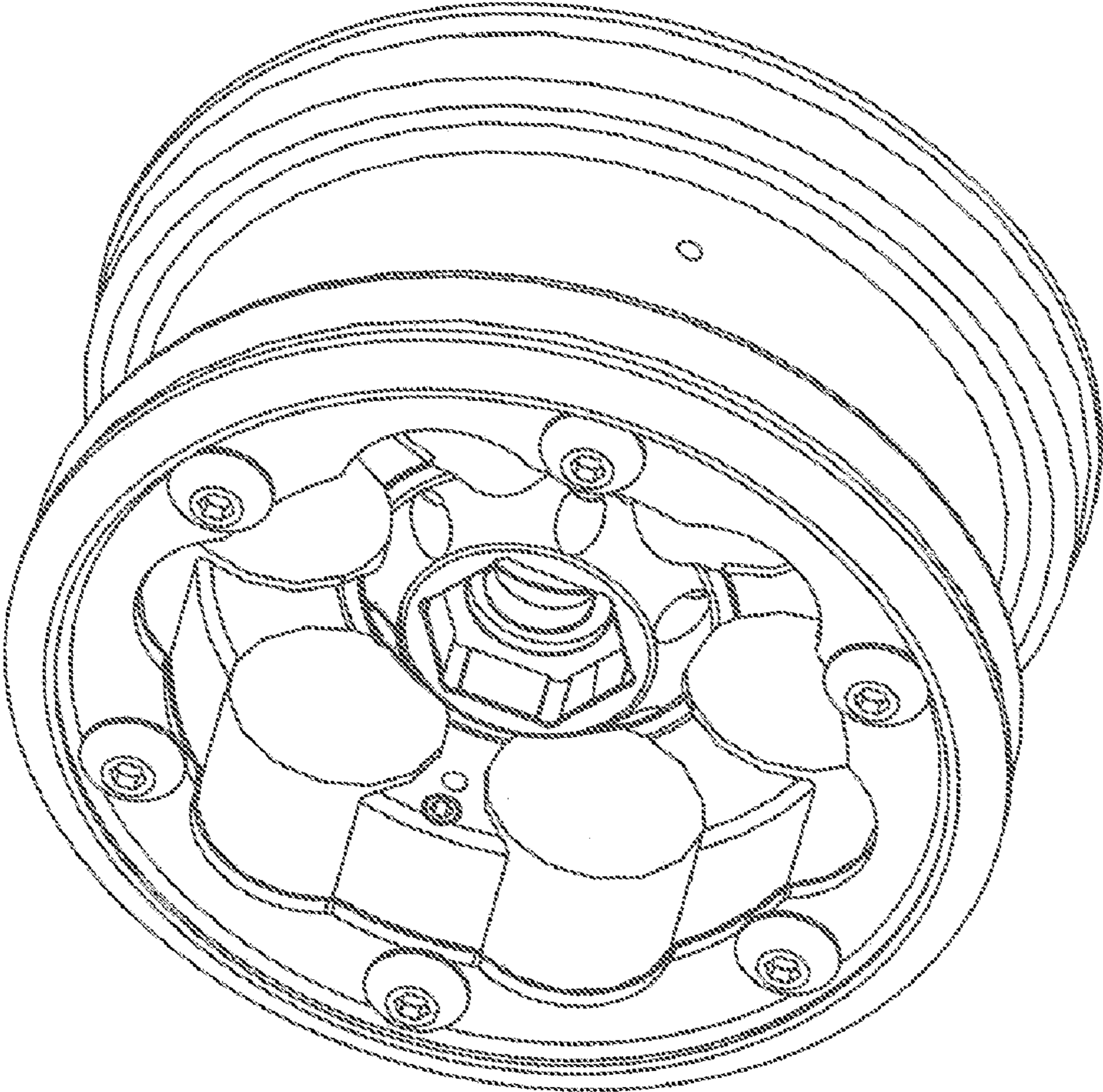


FIG. 3