



US00D590757S

(12) **United States Design Patent**
Froehlich

(10) **Patent No.:** **US D590,757 S**
(45) **Date of Patent:** **** Apr. 21, 2009**

(54) **FRONT FACE OF A VEHICLE WHEEL**

(75) Inventor: **Jacek Froehlich**, Munich (DE)

(73) Assignee: **Bayerische Motoren Werke Aktiengesellschaft**, Munich (DE)

(**) Term: **14 Years**

(21) Appl. No.: **29/287,331**

(22) Filed: **Jul. 24, 2007**

(30) **Foreign Application Priority Data**

Jan. 25, 2007 (DE) 407 00 466

(51) **LOC (9) Cl.** **12-16**

(52) **U.S. Cl.** **D12/209**

(58) **Field of Classification Search** D12/204–213;
301/37.101, 64.101, 65, 64.201

See application file for complete search history.

(56) **References Cited**

U.S. PATENT DOCUMENTS

D402,251 S *	12/1998	Timm	D12/211
D405,749 S *	2/1999	Kulla	D12/211
D488,420 S *	4/2004	Murkett et al.	D12/209
D493,404 S *	7/2004	Baum	D12/211
D494,525 S *	8/2004	Borkert	D12/211
D503,668 S *	4/2005	Boyer	D12/209
D504,097 S *	4/2005	Markefka	D12/209
D504,381 S *	4/2005	Rice	D12/211

D516,002 S	2/2006	Fahr-Becker	
D521,438 S *	5/2006	Nordmann D12/211
D526,610 S *	8/2006	Muzzarelli D12/211
D530,252 S *	10/2006	Gabath D12/209
D540,240 S *	4/2007	Kountouras D12/211
D542,728 S *	5/2007	Ichinose D12/211
D550,141 S *	9/2007	Davidson D12/211
D558,118 S *	12/2007	Hueller D12/211
D567,165 S *	4/2008	Truebsbach D12/209
D567,167 S *	4/2008	Forster D12/211

FOREIGN PATENT DOCUMENTS

EM 000380852-0004 10/2005

* cited by examiner

Primary Examiner—Cathron C Brooks

Assistant Examiner—Austin Murphy

(74) *Attorney, Agent, or Firm*—Crowell & Moring LLP

(57) **CLAIM**

The ornamental design for a front face of a vehicle wheel, as shown and described.

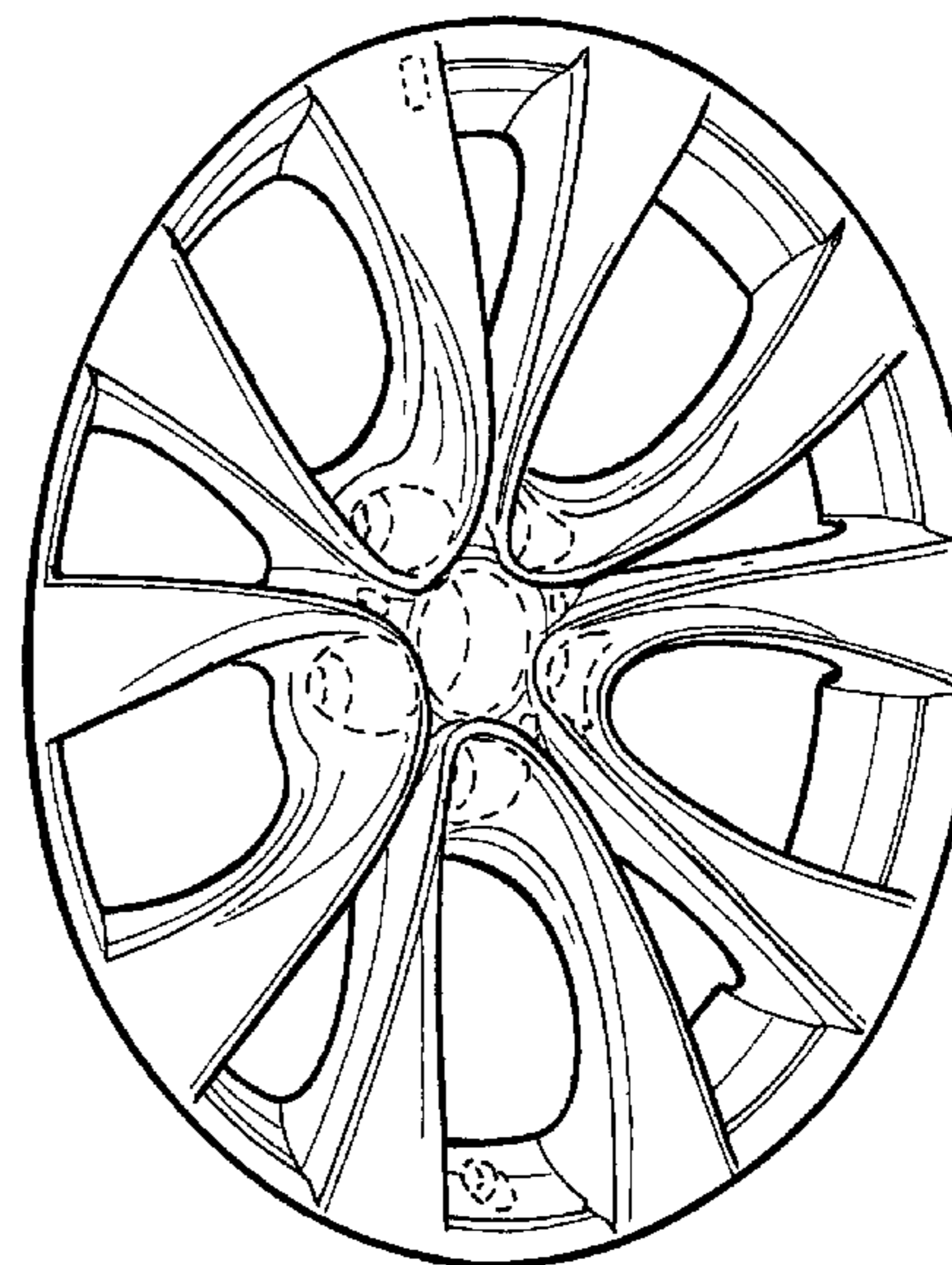
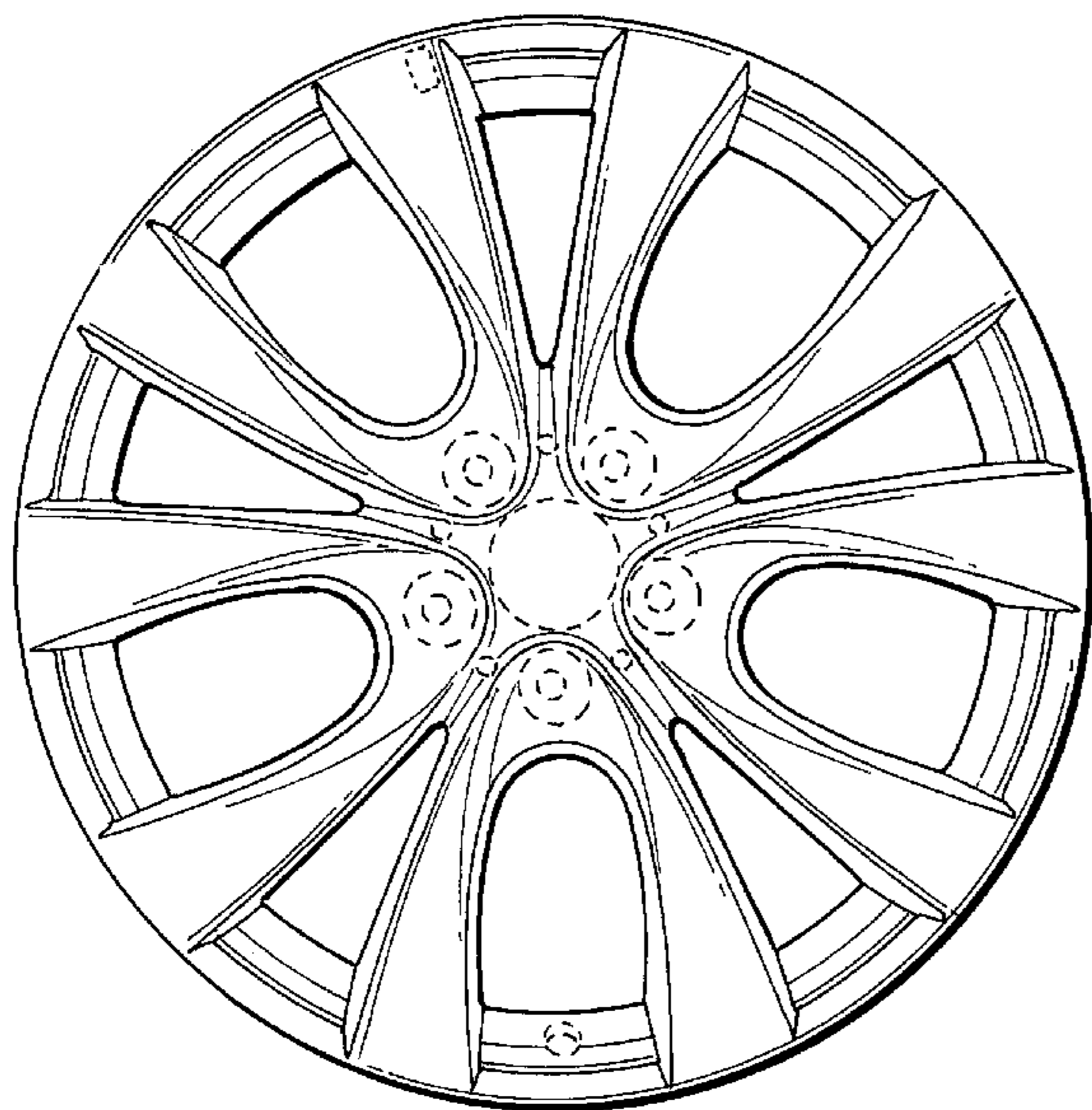
DESCRIPTION

FIG. 1 is a front view of a front face of a vehicle wheel according to my design; and,

FIG. 2 is a perspective view thereof.

The broken lines are for illustrative purposes only and form no part of the claimed design.

1 Claim, 1 Drawing Sheet



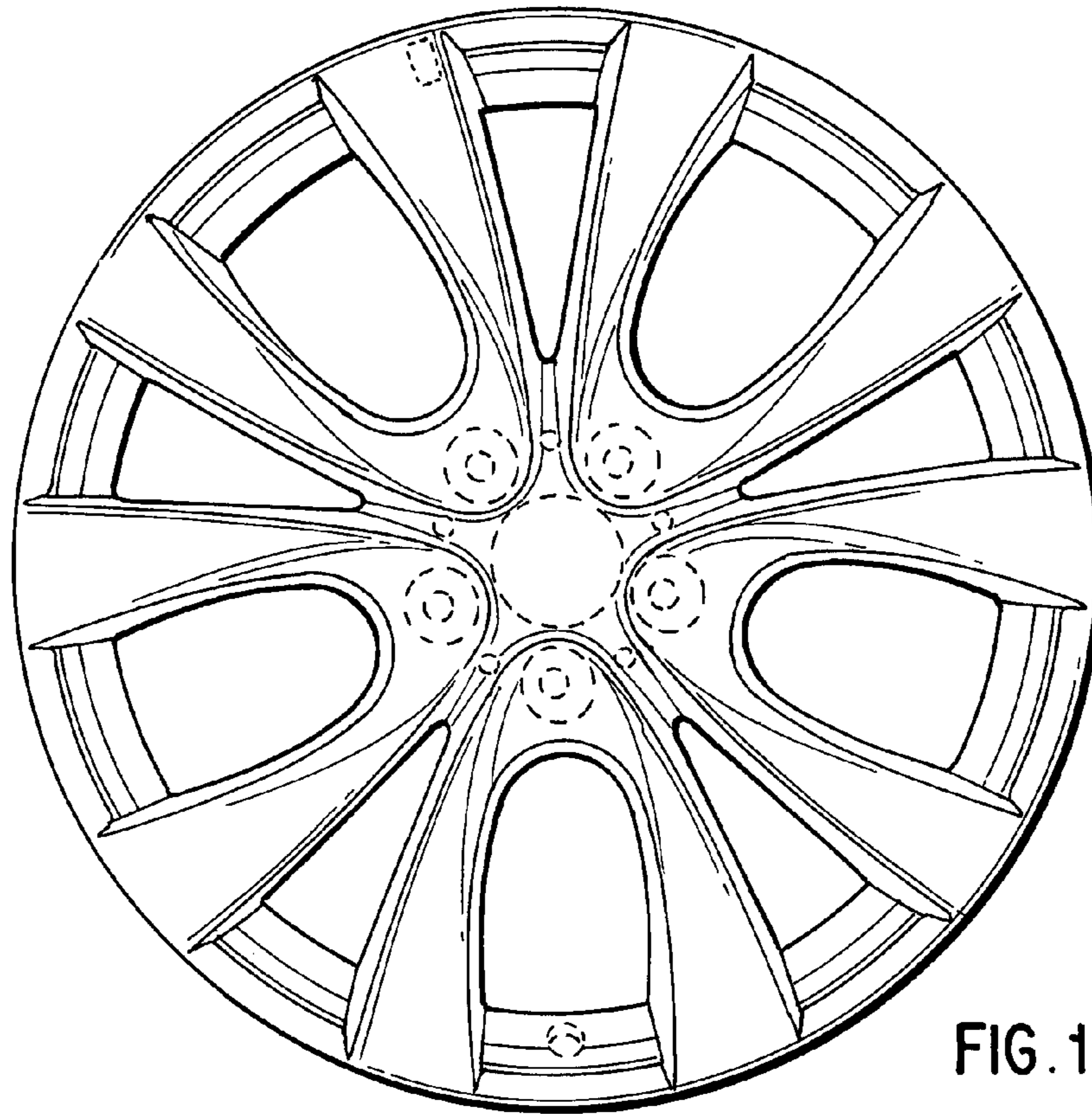


FIG. 1

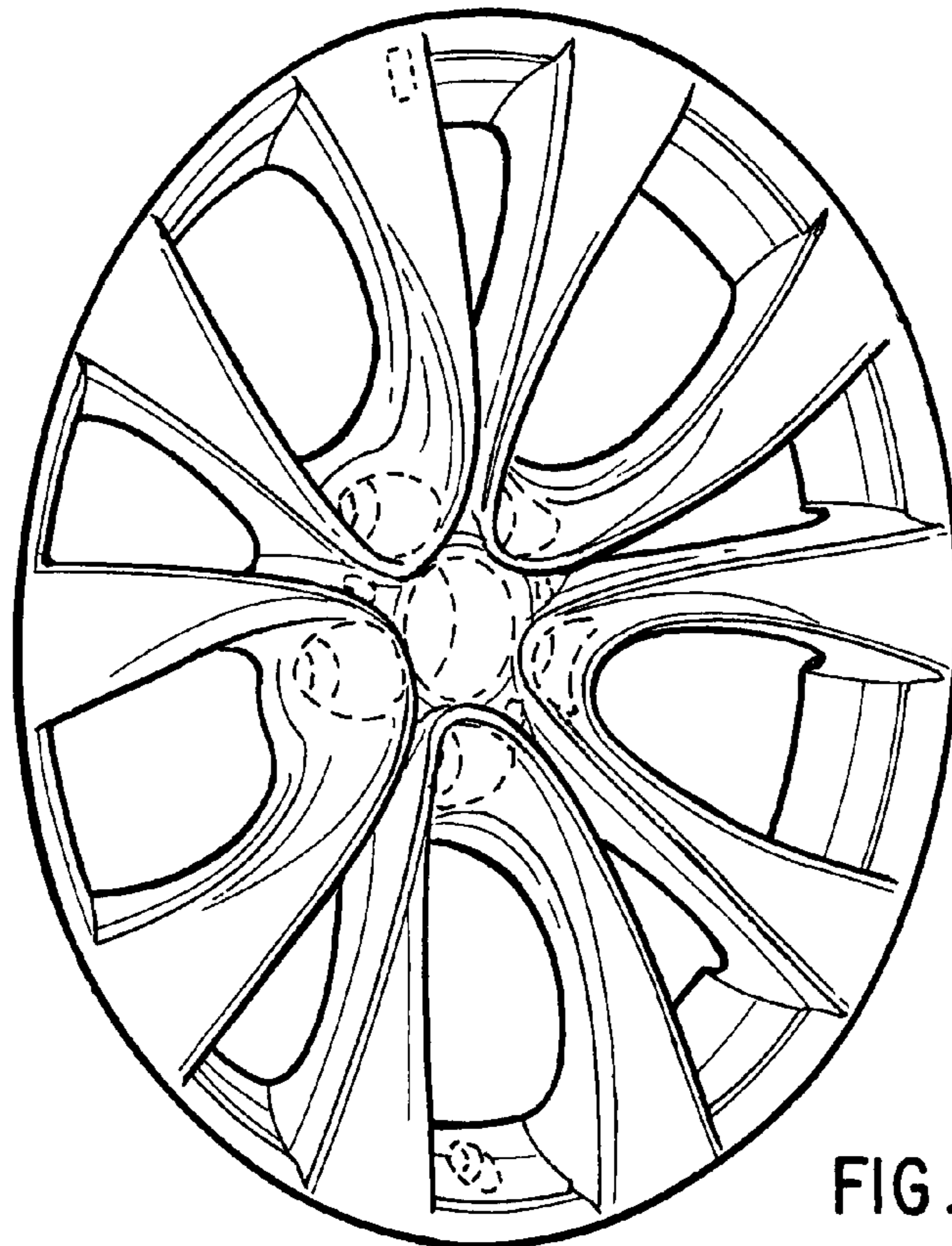


FIG. 2