



US00D590751S

(12) **United States Design Patent**
Yang

(10) **Patent No.:** **US D590,751 S**
(45) **Date of Patent:** **** Apr. 21, 2009**

(54) **ELECTRIC SCOOTER**

(76) Inventor: **Tai-Her Yang**, 6F-5, No. 250, Sec. 4,
Chung Hsiao E. Rd., Taipei (TW) 10692

(**) Term: **14 Years**

(21) Appl. No.: **29/290,904**

(22) Filed: **Jan. 29, 2008**

(51) **LOC (9) Cl.** **12-12**

(52) **U.S. Cl.** **D12/128**

(58) **Field of Classification Search** D12/128-133;
280/62, 647-650, 29, 200, 47.38, 35, 250.1,
280/259, 642, 658; 296/65.03, 65.04; 135/65-67,
135/74; D21/419, 421, 423, 743, 765, 477
See application file for complete search history.

(56) **References Cited**

U.S. PATENT DOCUMENTS

D479,496 S *	9/2003	Tsai et al.	D12/128
D489,296 S *	5/2004	Tsai	D12/131
D490,029 S *	5/2004	Chao	D12/131
D490,753 S *	6/2004	Tsai	D12/128
D494,512 S *	8/2004	Cheng	D12/131
D509,774 S *	9/2005	Chen	D12/131
D511,720 S *	11/2005	Chen	D12/128
D517,456 S *	3/2006	Wu et al.	D12/131

D530,650 S *	10/2006	Azuma et al.	D12/131
D536,283 S *	2/2007	Cartellone et al.	D12/131
D571,264 S *	6/2008	Yang	D12/131
D576,920 S *	9/2008	Yang	D12/107
D578,935 S *	10/2008	Yang	D12/107

* cited by examiner

Primary Examiner—Ian Simmons

Assistant Examiner—Charles D Hanson

(74) *Attorney, Agent, or Firm*—Bacon & Thomas, PLLC

(57) **CLAIM**

The ornamental design for an electric scooter, as shown and described.

DESCRIPTION

FIG. 1 is a perspective view of an electric scooter showing my new design;

FIG. 2 is a front view thereof;

FIG. 3 is a rear view thereof;

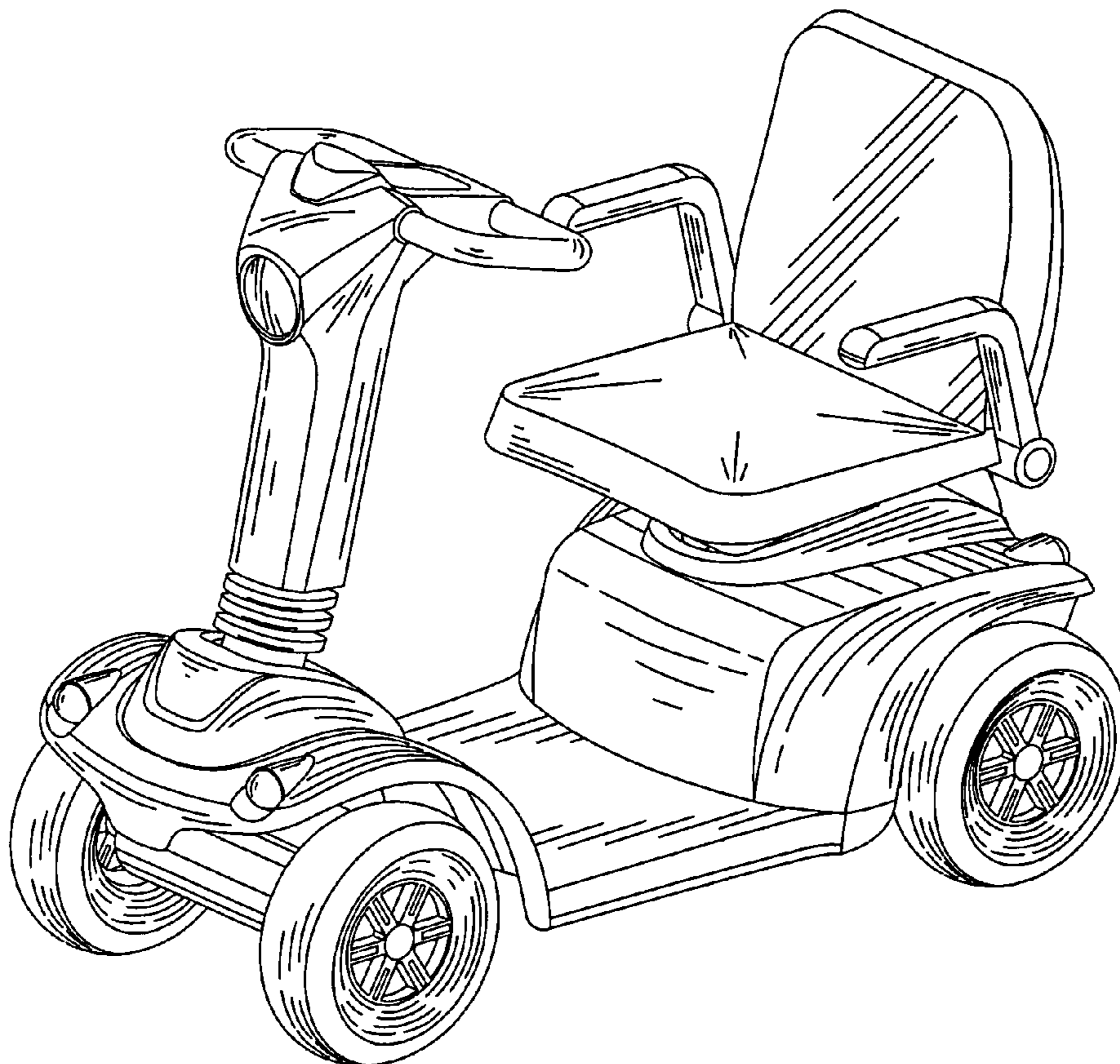
FIG. 4 is a left side view thereof;

FIG. 5 is a right side view thereof;

FIG. 6 is a top plan view thereof; and,

FIG. 7 is a bottom plan view thereof.

1 Claim, 6 Drawing Sheets



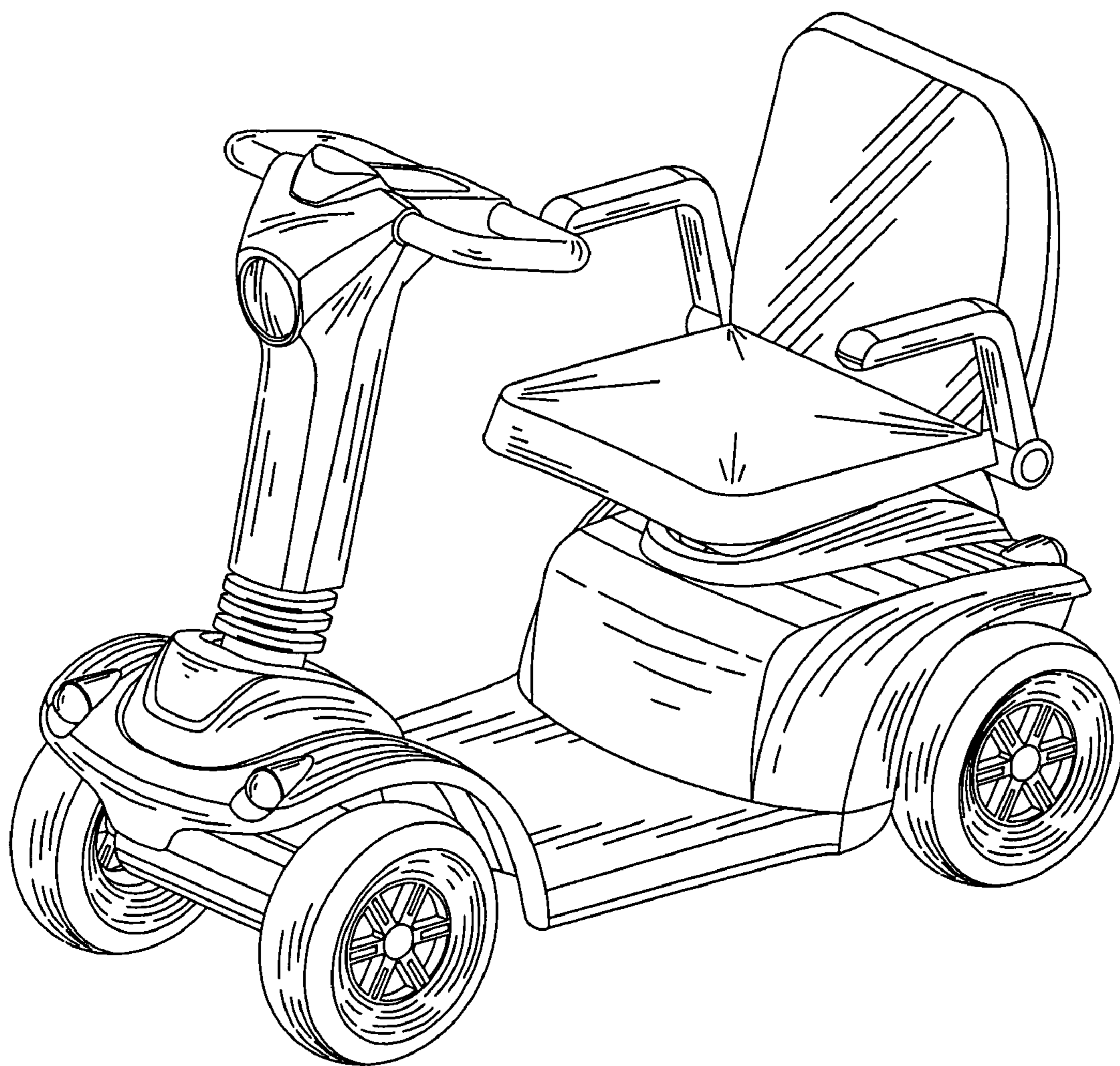


FIG. 1

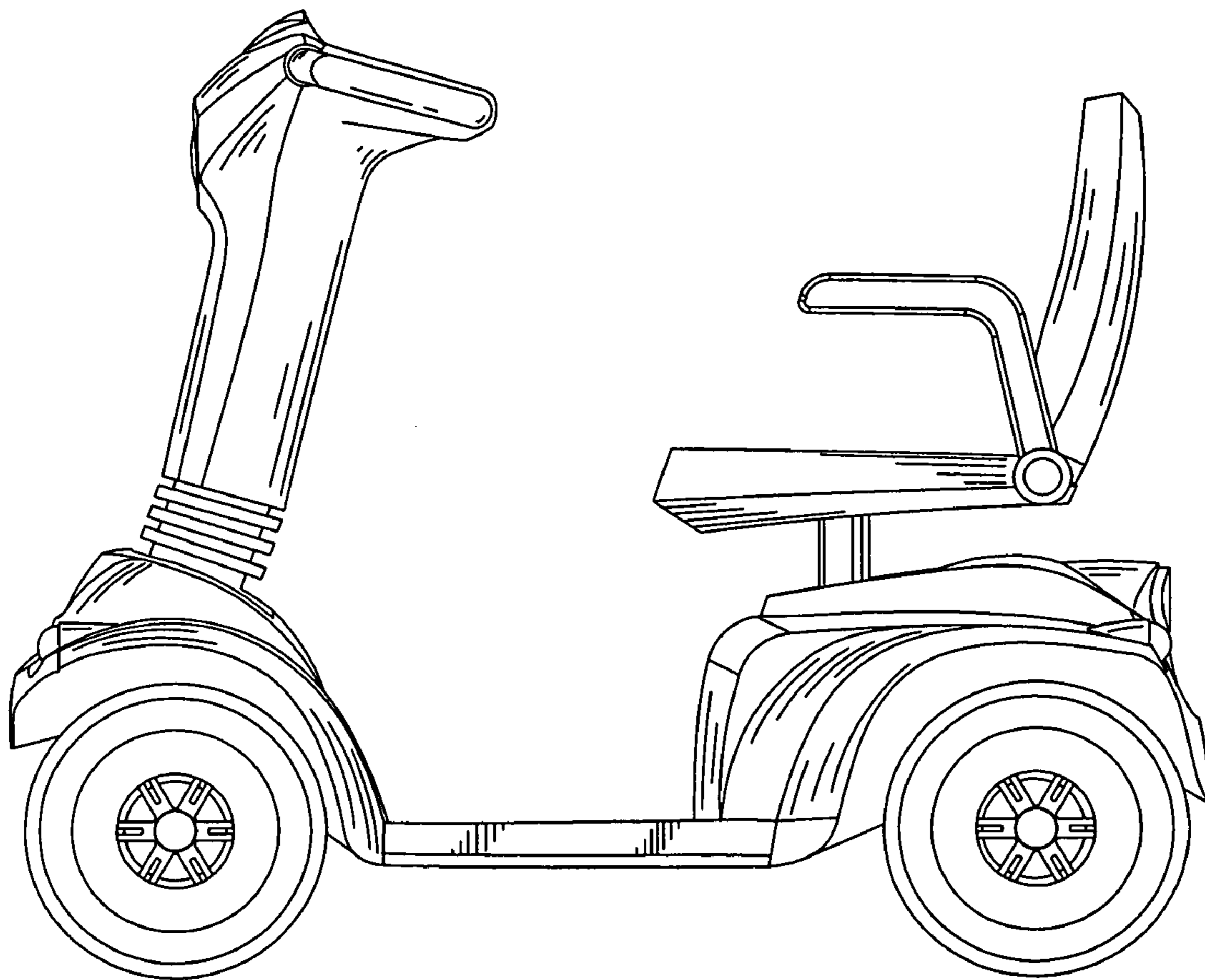


FIG. 2

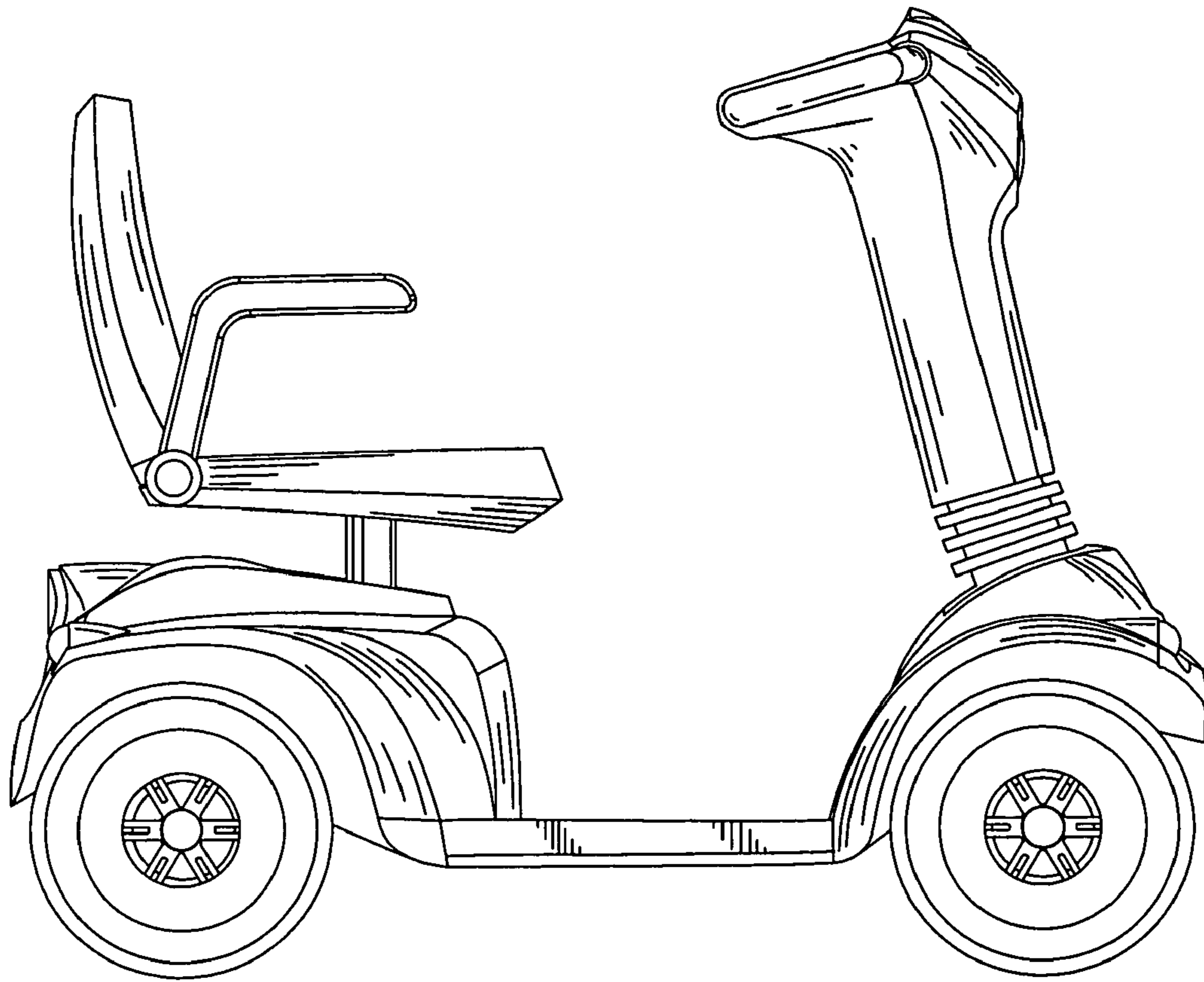


FIG. 3

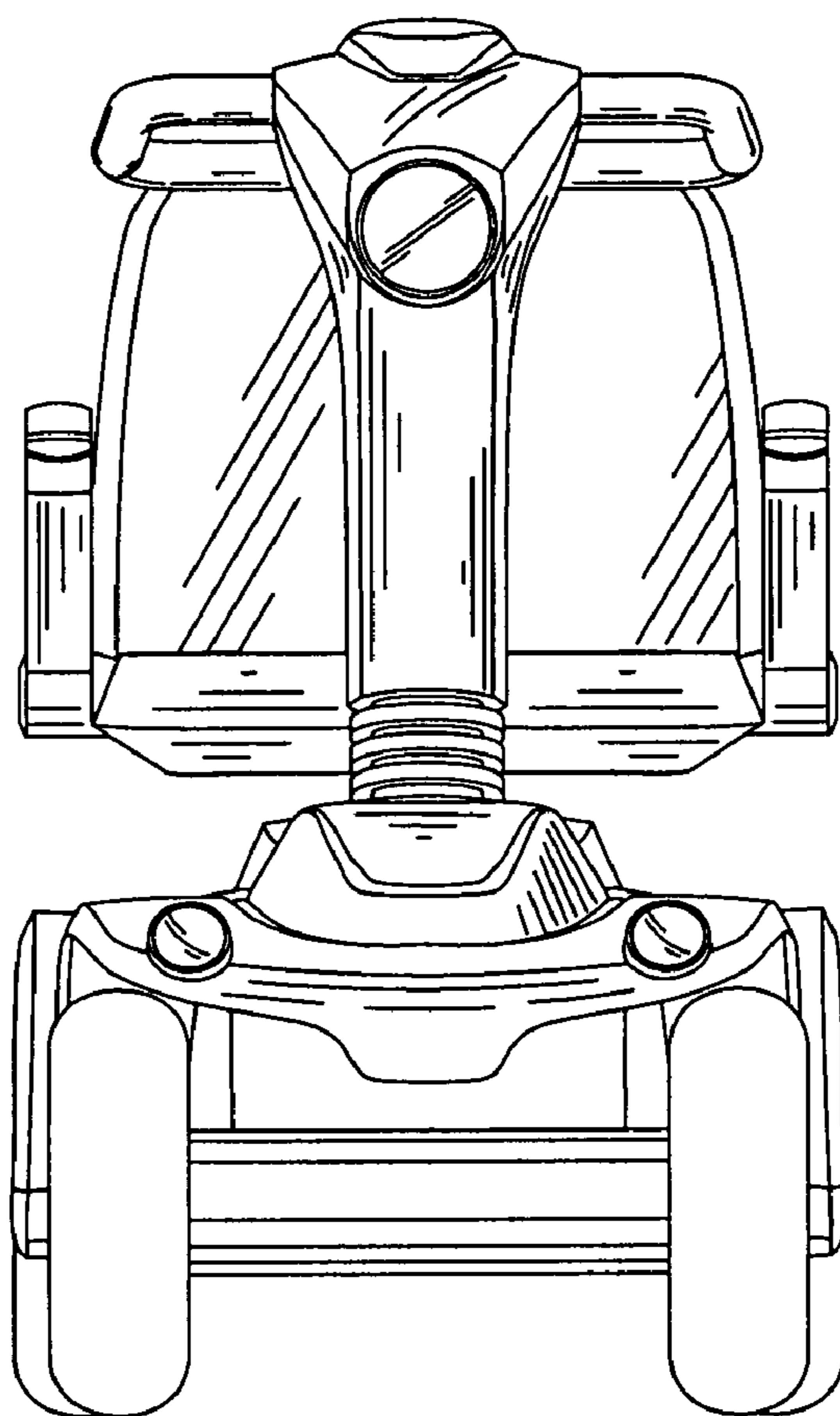


FIG. 4

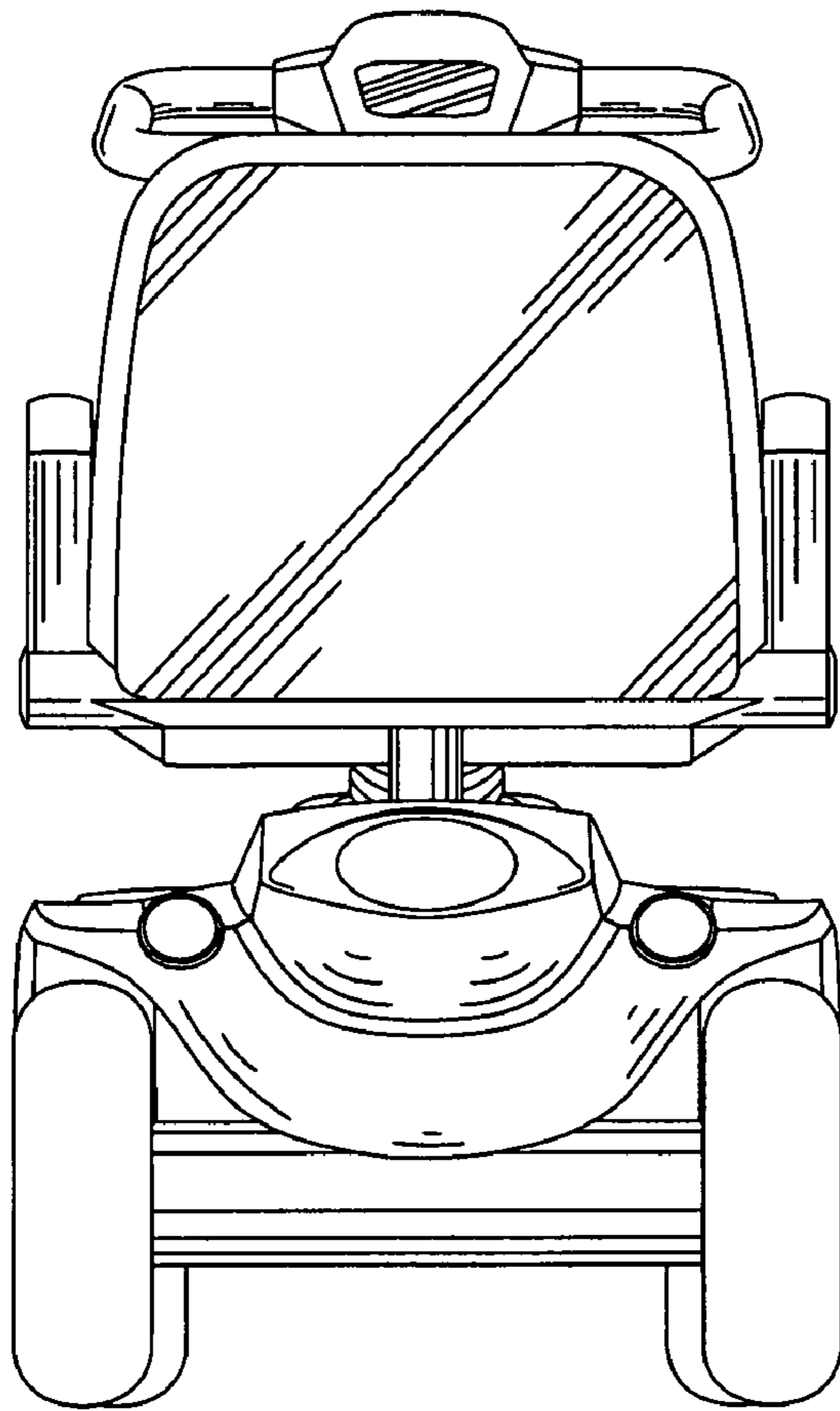


FIG. 5

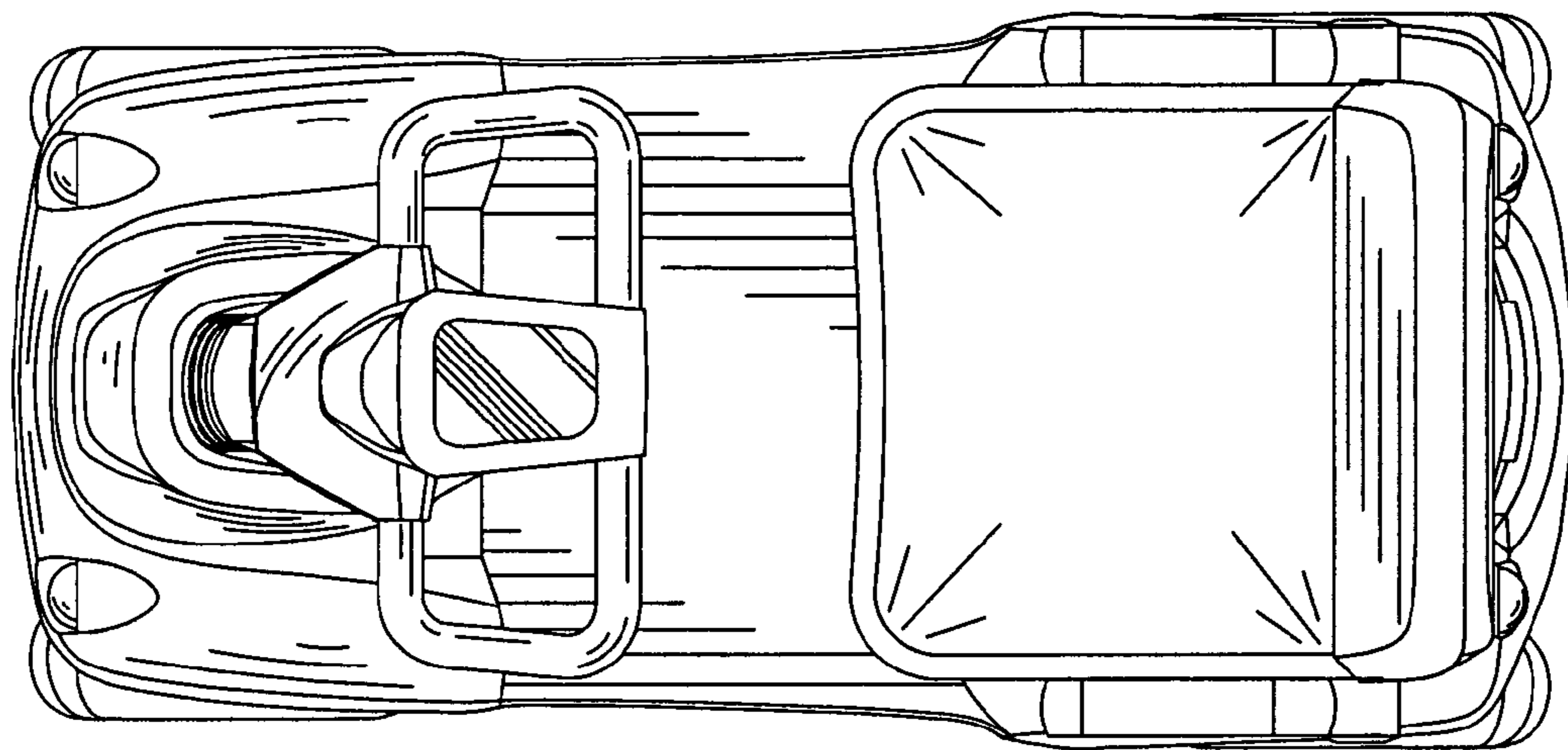


FIG. 6

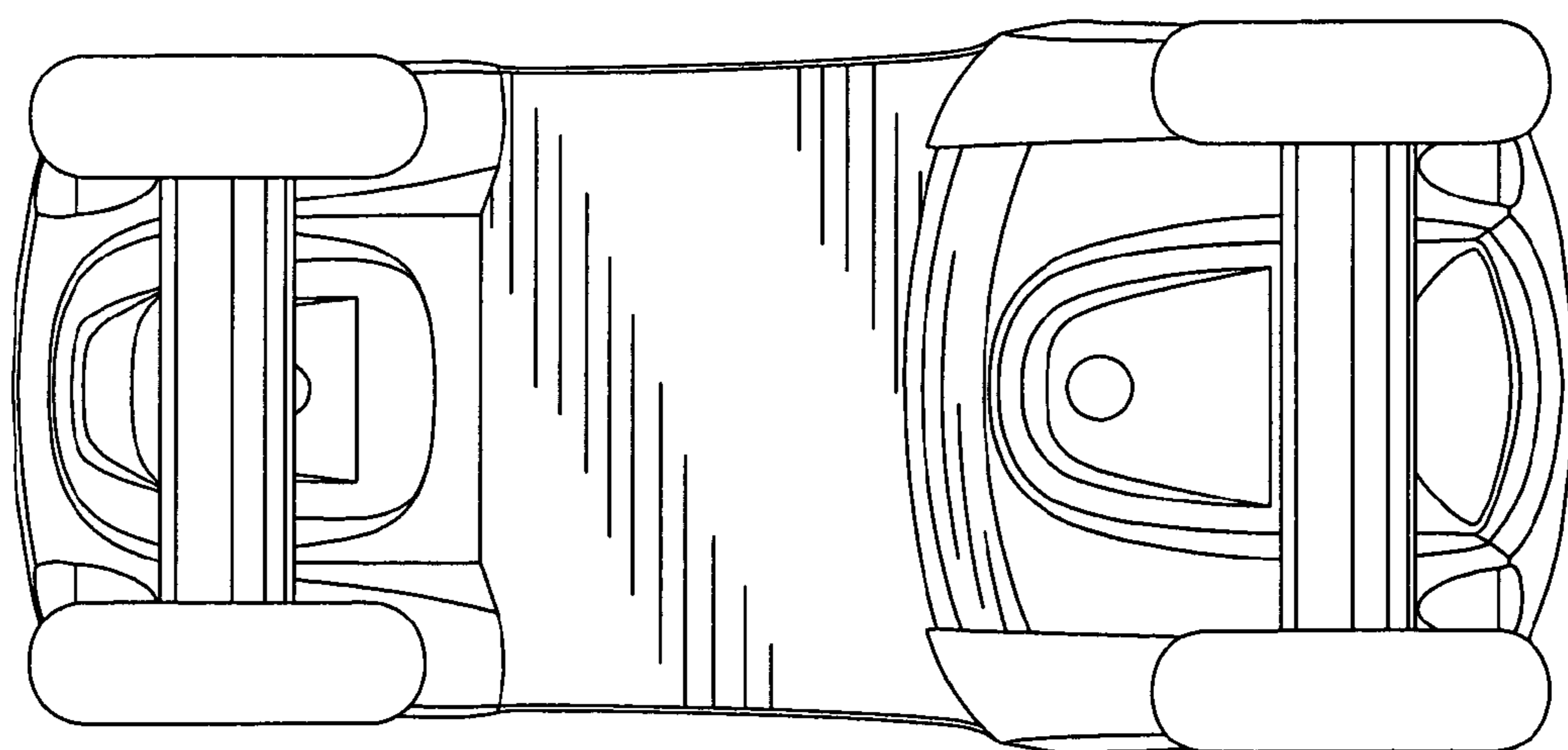


FIG. 7