

US00D590748S

(12) **United States Design Patent**
Kohama et al.

(10) **Patent No.:** **US D590,748 S**

(45) **Date of Patent:** **** Apr. 21, 2009**

(54) **MOTORCYCLE**

(75) Inventors: **Mitsuyoshi Kohama**, Wako (JP);
Tetsuya Nakazawa, Wako (JP)

(73) Assignee: **Honda Motor Co., Ltd.**, Tokyo (JP)

(**) Term: **14 Years**

(21) Appl. No.: **29/300,228**

(22) Filed: **Feb. 29, 2008**

(30) **Foreign Application Priority Data**

Sep. 3, 2007 (JP) 2007-023928

(51) **LOC (9) Cl.** **12-11**

(52) **U.S. Cl.** **D12/110**

(58) **Field of Classification Search** D12/110;
180/219, 220, 225, 229

See application file for complete search history.

(56) **References Cited**

U.S. PATENT DOCUMENTS

- D341,798 S * 11/1993 Murata et al. D12/110
- D403,277 S * 12/1998 Kokubu et al. D12/110
- D470,439 S * 2/2003 Ban et al. D12/110
- D500,464 S * 1/2005 Ban et al. D12/110

D559,739 S * 1/2008 Sawabe et al. D12/110

* cited by examiner

Primary Examiner—Cathron C Brooks

Assistant Examiner—Linda Brooks

(74) *Attorney, Agent, or Firm*—Birch, Stewart, Kolasch & Birch, LLP

(57) **CLAIM**

What is claimed is; the ornamental design for, a motorcycle, as shown and described.

DESCRIPTION

FIG. 1 is a first perspective view of a motorcycle, showing our new design,

FIG. 2 is a second perspective view thereof;

FIG. 3 is a front elevation view thereof;

FIG. 4 is a rear elevation view thereof;

FIG. 5 is a top plan view thereof;

FIG. 6 is a right side elevation view thereof; and,

FIG. 7 is a left side elevation view thereof.

Portions of FIGS. 1–7 shown in broken lines form no part of the claimed design.

1 Claim, 7 Drawing Sheets

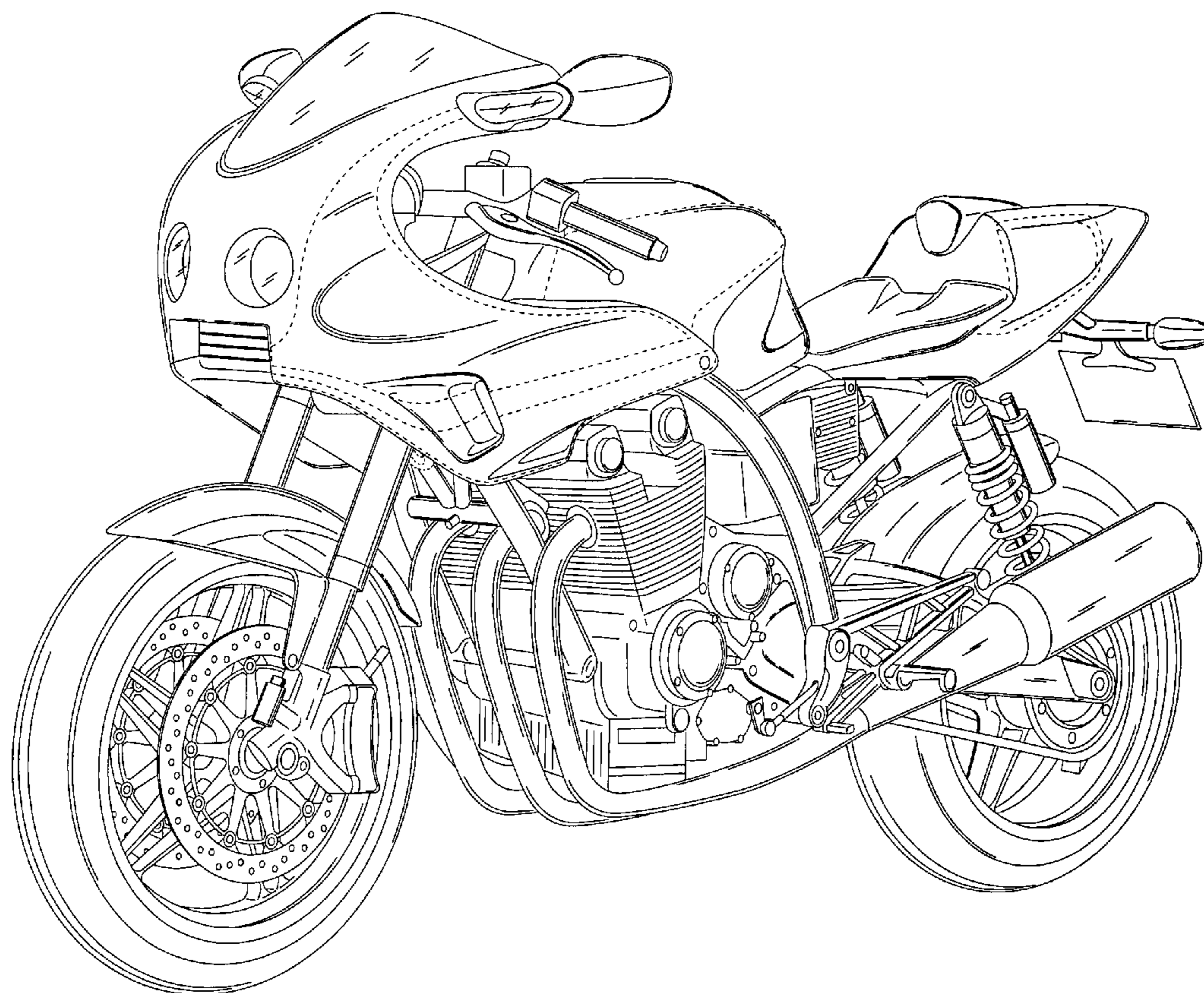


Fig.1

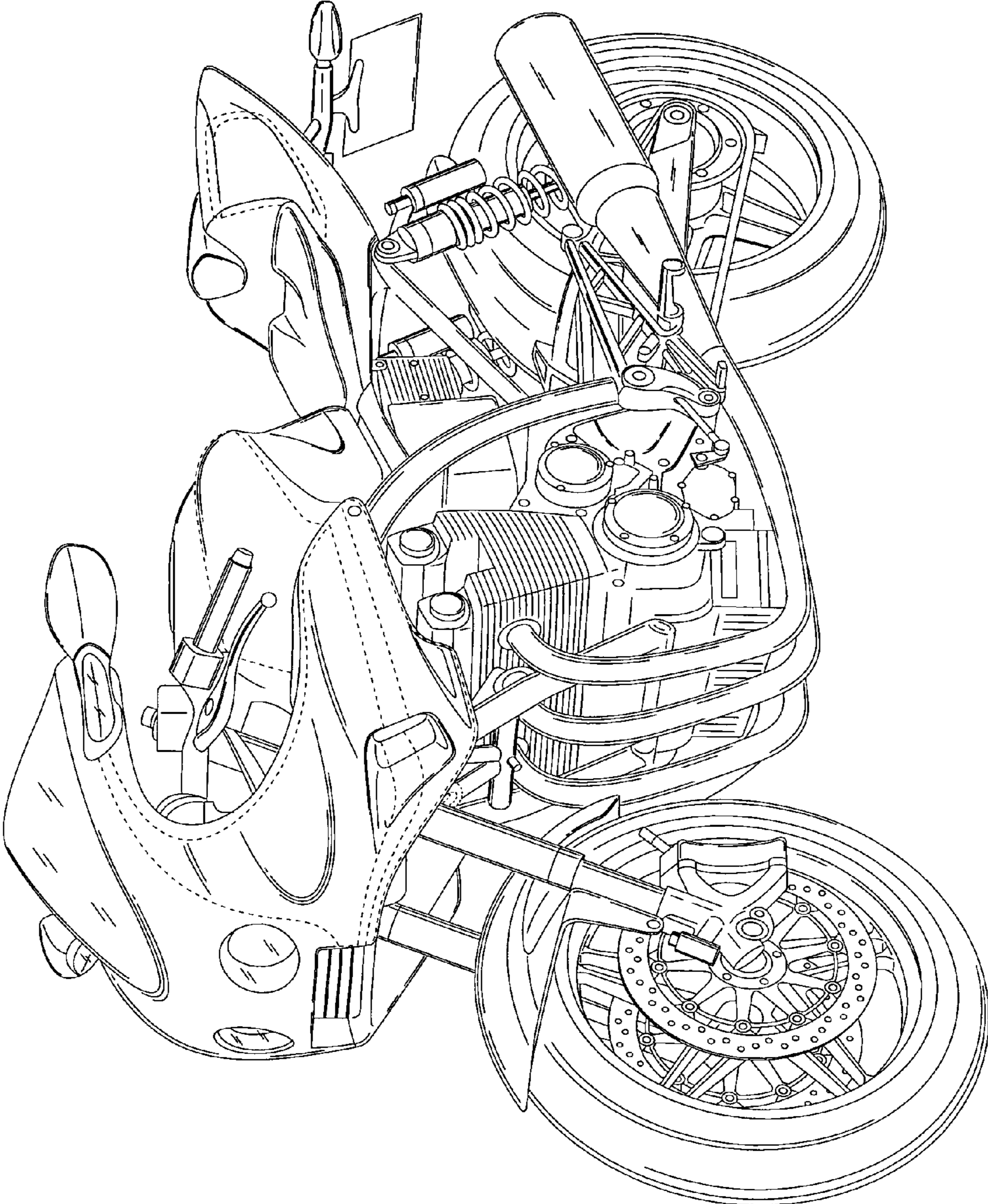


Fig. 2

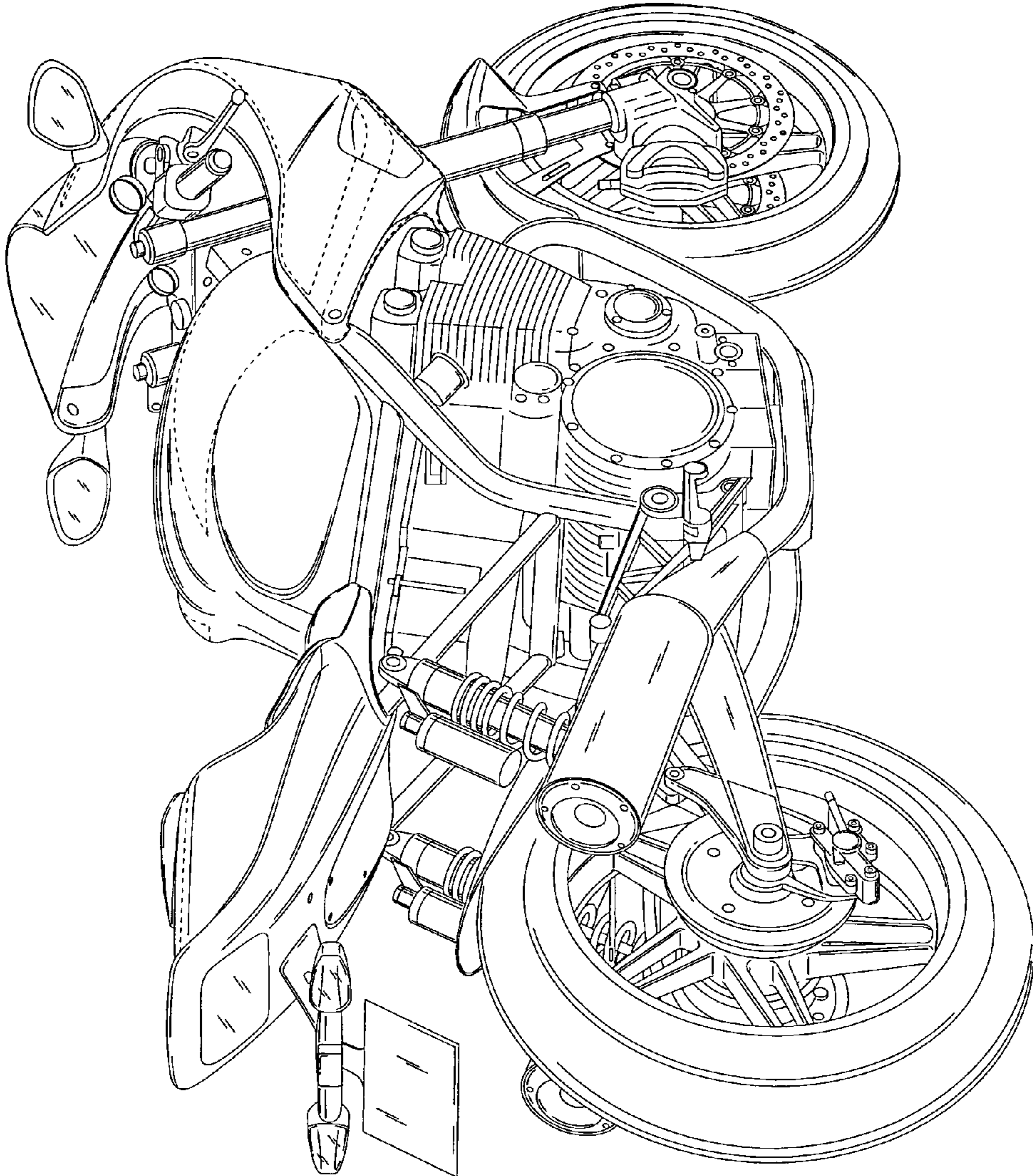


Fig.3

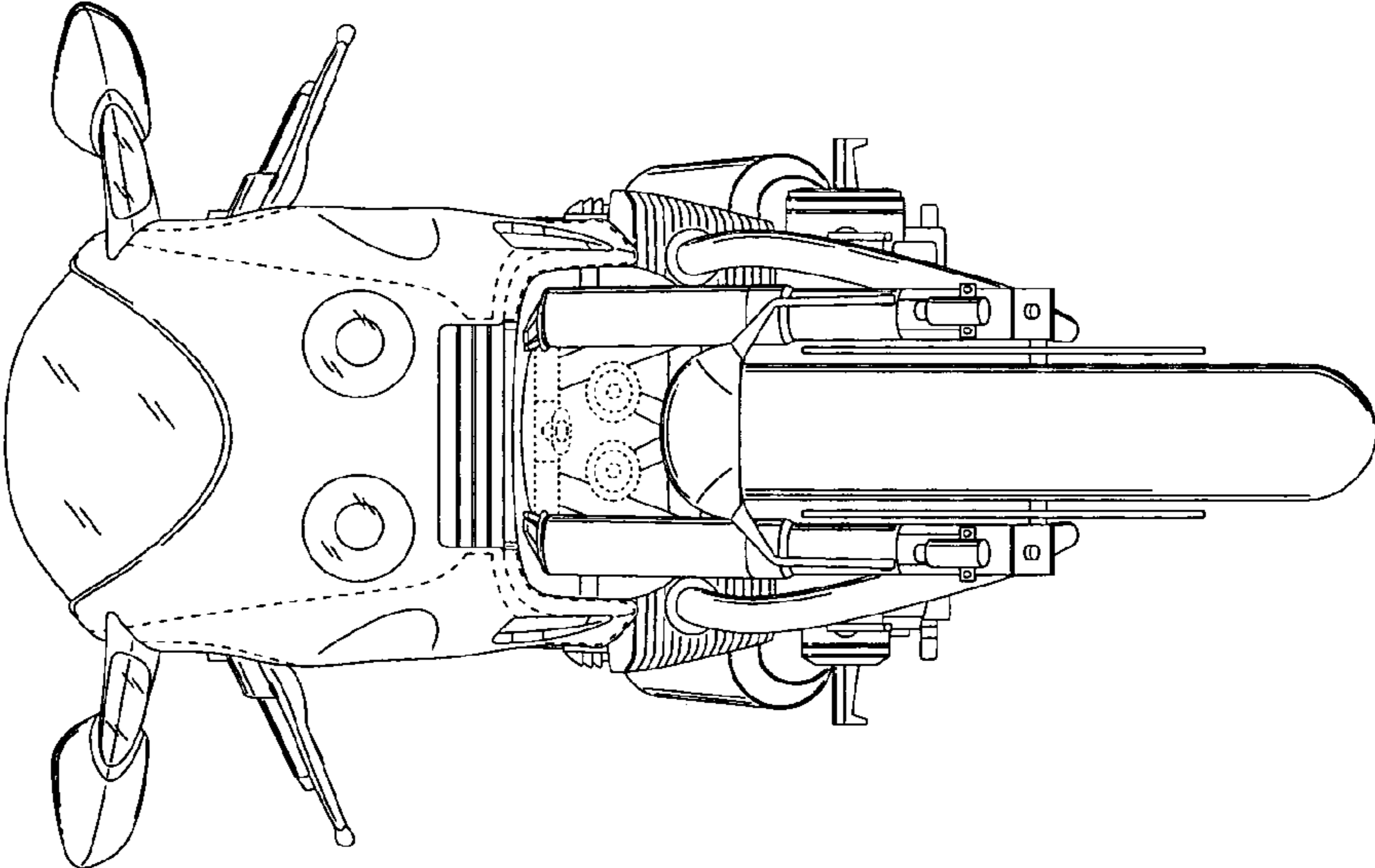


Fig. 4

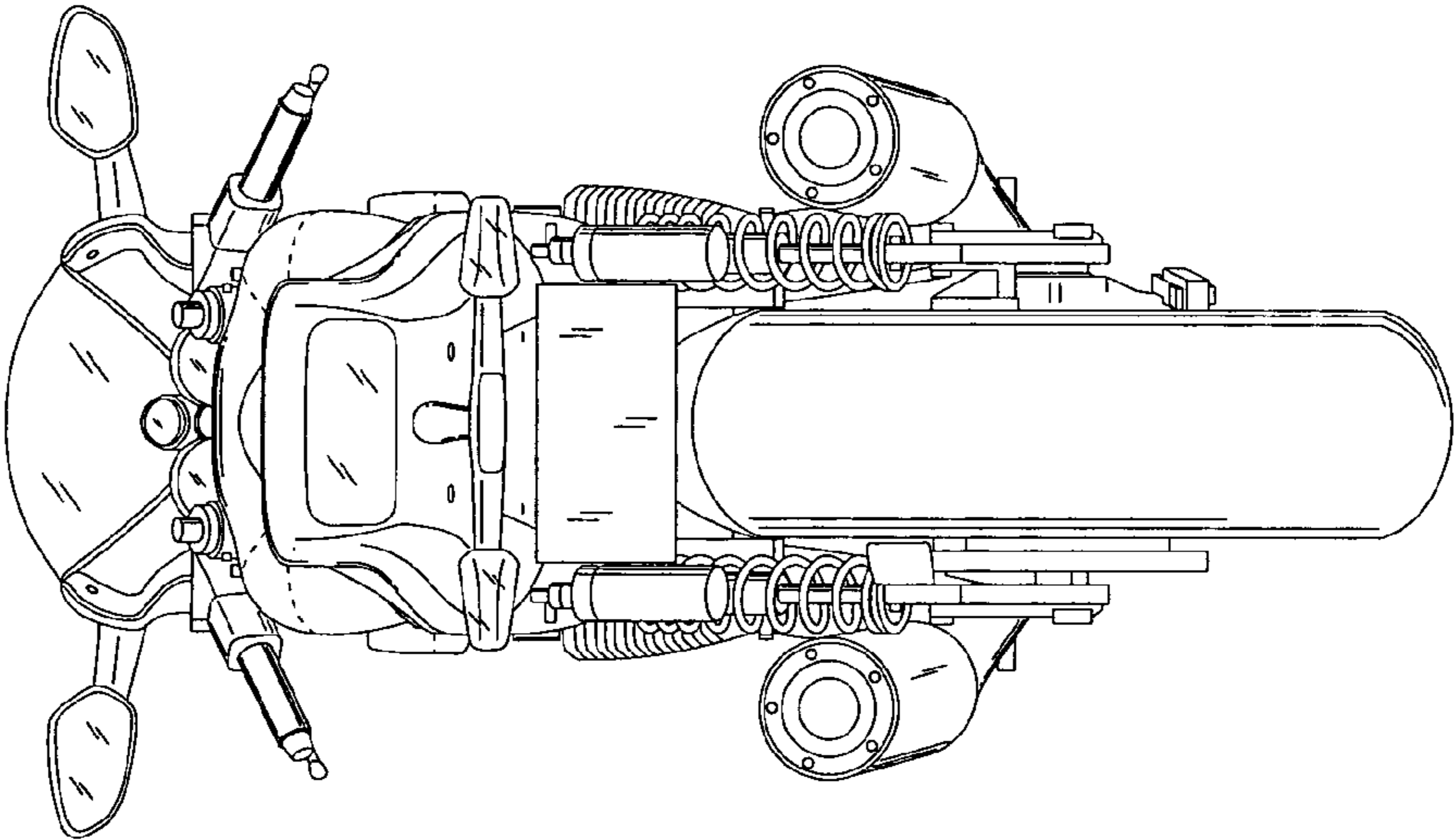


Fig.5

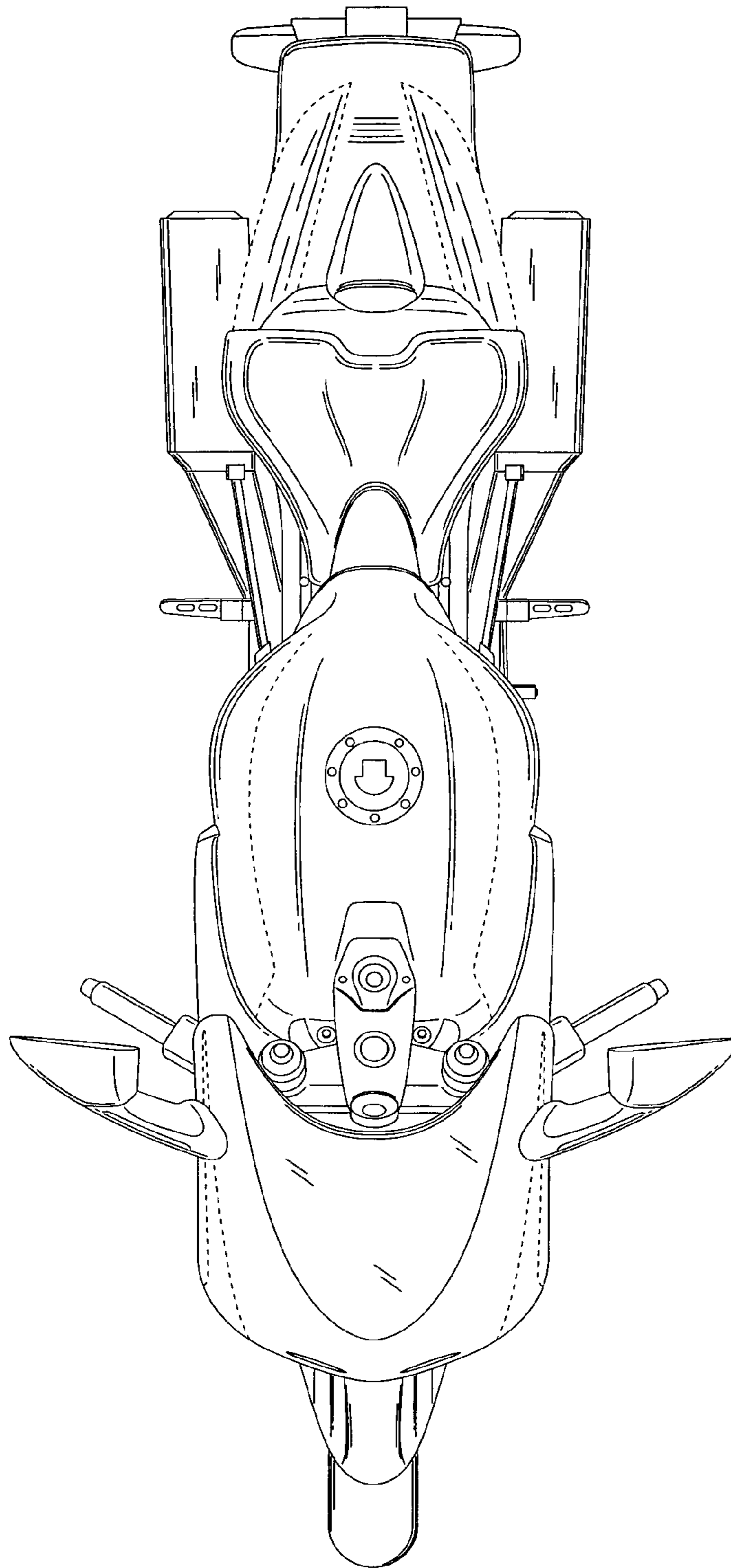


Fig. 6

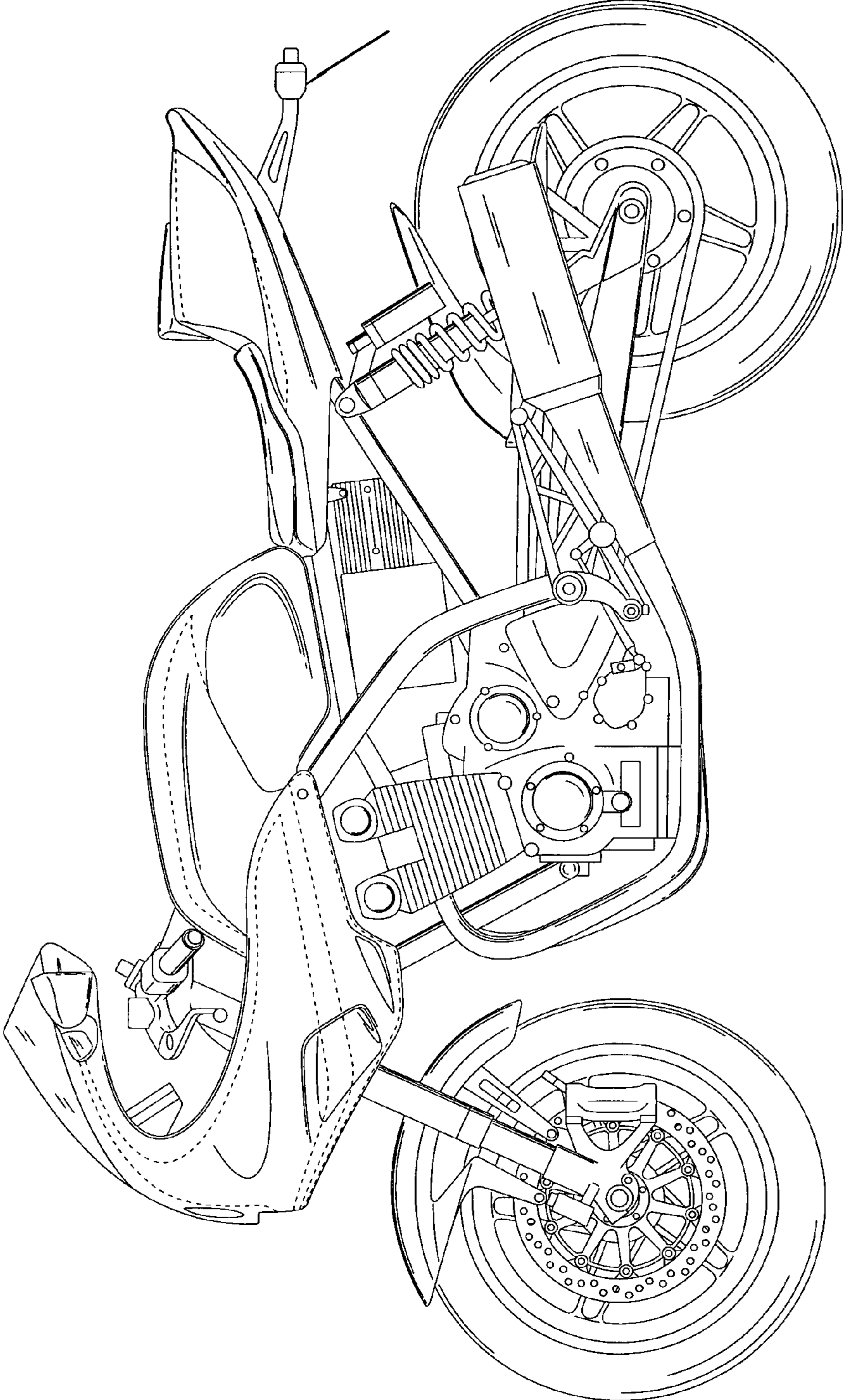


Fig. 7

