



US00D590747S

(12) **United States Design Patent**  
**Staller**

(10) **Patent No.:** **US D590,747 S**  
(45) **Date of Patent:** **\*\* Apr. 21, 2009**

(54) **FIVE PASSENGER PEDALED VEHICLE**

D520,913 S \* 5/2006 Staller ..... D12/107

(76) Inventor: **Eric Staller**, Herengracht 100, 1015 BS  
Amsterdam (NL)

\* cited by examiner

(\*\*) Term: **14 Years**

*Primary Examiner*—Robin V Webster

*Assistant Examiner*—Linda Brooks

(74) *Attorney, Agent, or Firm*—Bernhard P. Moldrem, Jr.

(21) Appl. No.: **29/296,903**

(22) Filed: **Oct. 31, 2007**

(57) **CLAIM**

The ornamental design for a five passenger pedaled vehicle,  
as shown and described.

(51) **LOC (9) Cl.** ..... **12-11**

(52) **U.S. Cl.** ..... **D12/107**

(58) **Field of Classification Search** ..... D12/107,  
D12/109, 111, 112; 280/230–234, 259, 263,  
280/267, 203, 270, 274, 275, 278, 282, 273,  
280/240, 211, 288.1–288.3, 209, 222

See application file for complete search history.

**DESCRIPTION**

FIG. 1 is a front perspective view of a five passenger pedaled  
vehicle showing my new design, with the pedals, cranks, tires,  
spokes, seats, seat posts, steering wheel, steering wheel post,  
and brake lever being drawn in broken line and not being part  
of my design.

(56) **References Cited**

**U.S. PATENT DOCUMENTS**

3,175,843	A *	3/1965	Burke	.....	280/209
3,664,684	A *	5/1972	Long	.....	280/231
3,794,352	A *	2/1974	Popp	.....	280/209
4,093,258	A *	6/1978	Ansel	.....	280/231
4,093,260	A *	6/1978	Terzian et al.	.....	280/240
D266,556	S *	10/1982	Arthur	.....	D12/112
D289,271	S *	4/1987	Hendrickson et al.	.....	D12/112
D301,216	S *	5/1989	Lawson	.....	D12/112
6,012,732	A *	1/2000	Potter	.....	280/232

FIG. 2 is a right side elevation thereof, the left side being a  
mirror image.

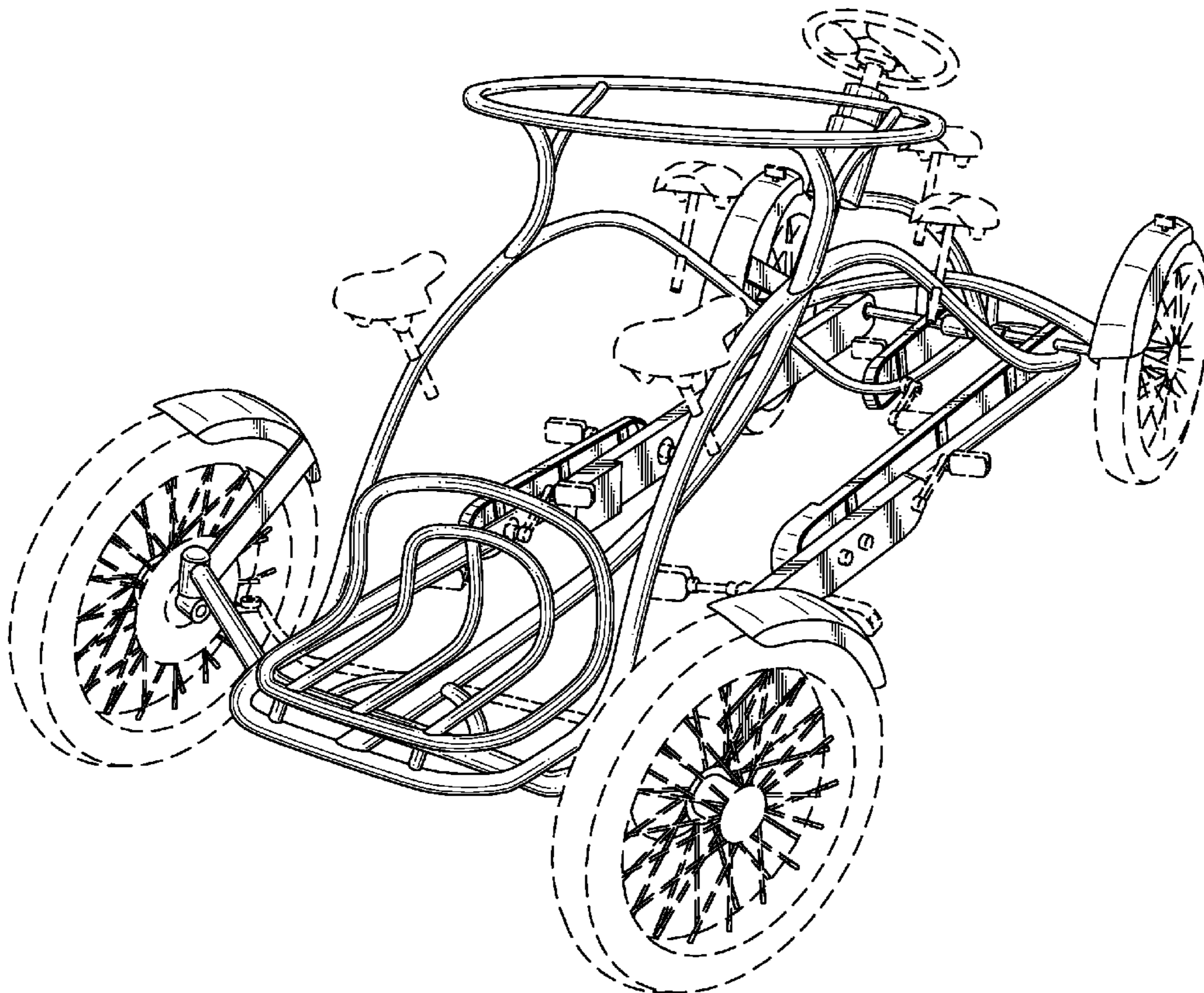
FIG. 3 is a top plan thereof.

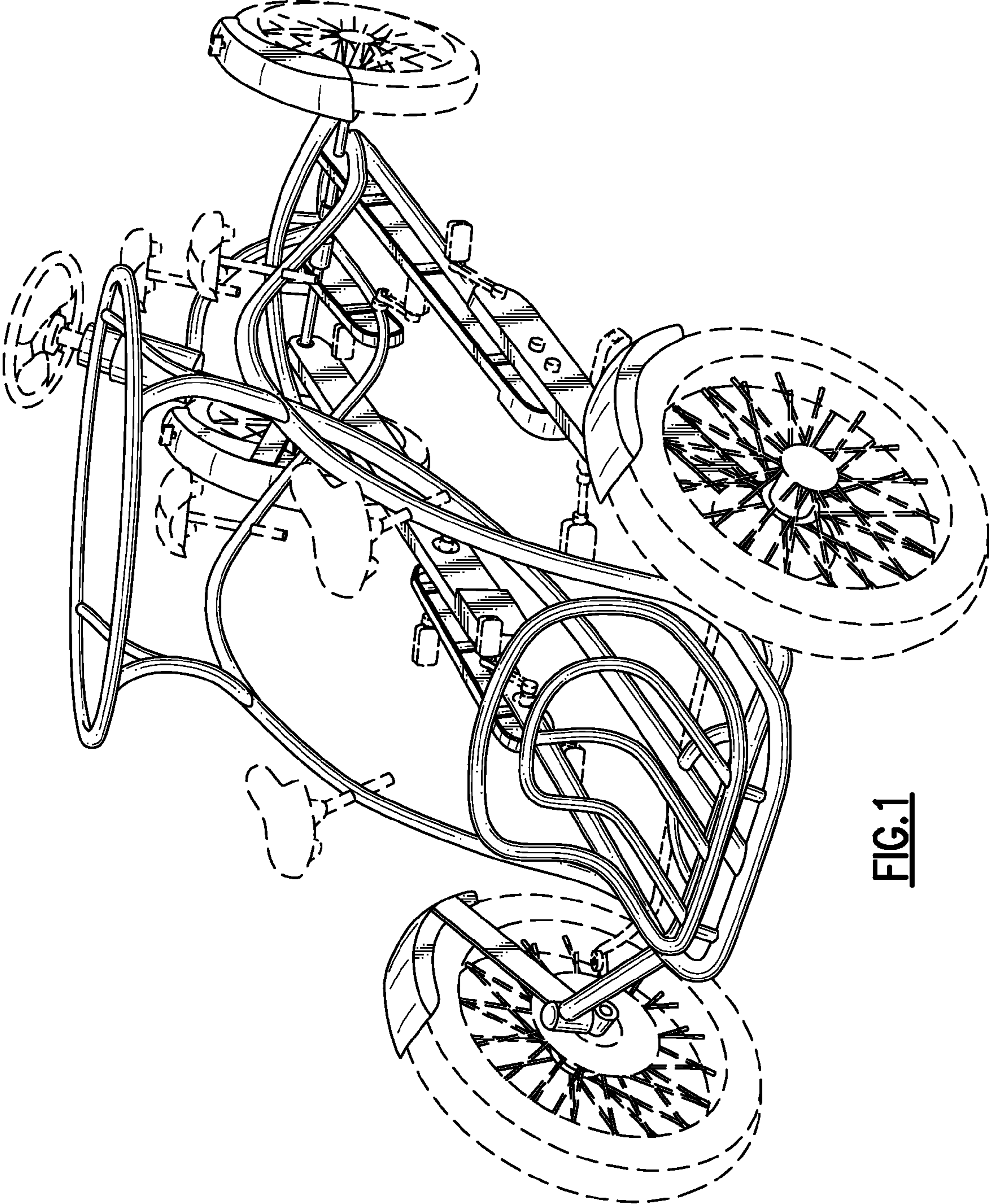
FIG. 4 is a front elevation thereof; and,

FIG. 5 is a rear elevation thereof.

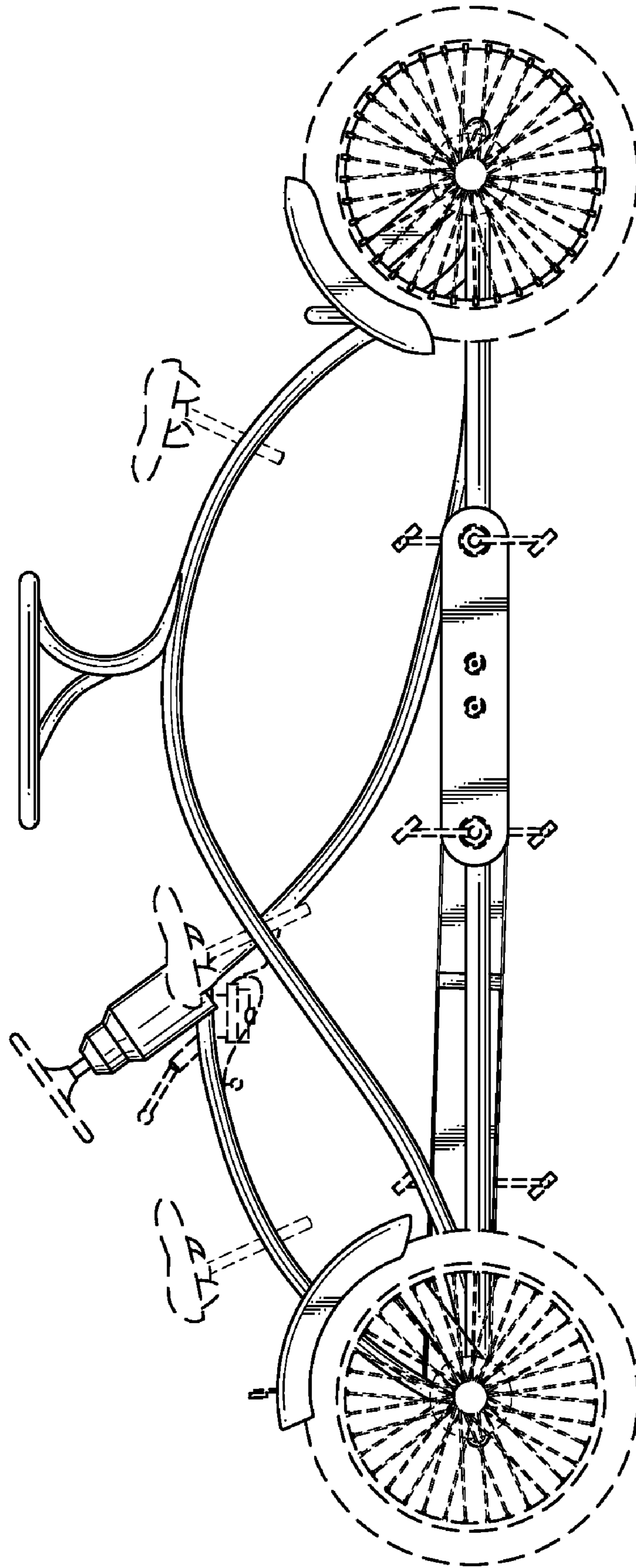
The under side of the vehicle does not form any part of the  
claimed design.

**1 Claim, 4 Drawing Sheets**

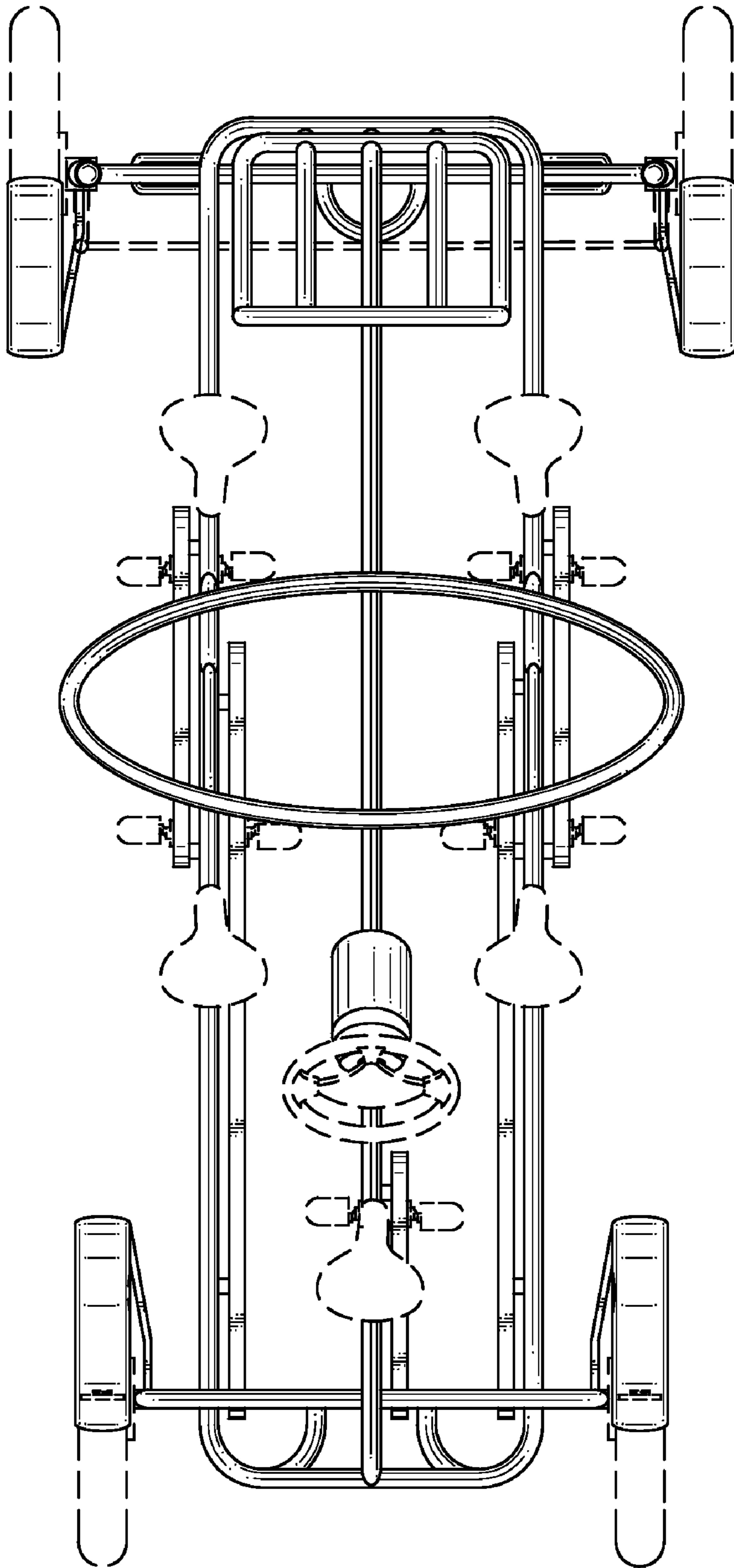




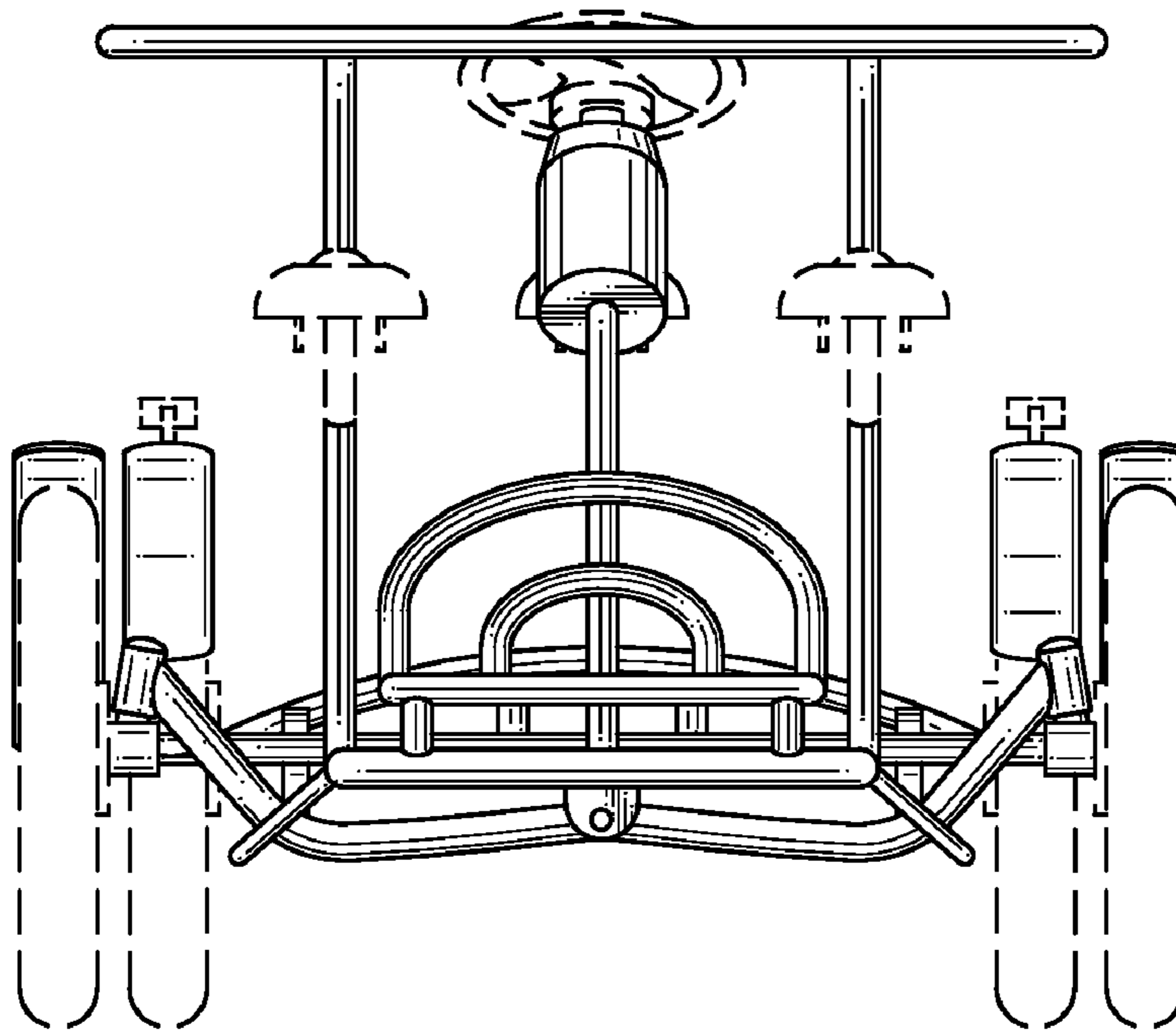
**FIG. 1**



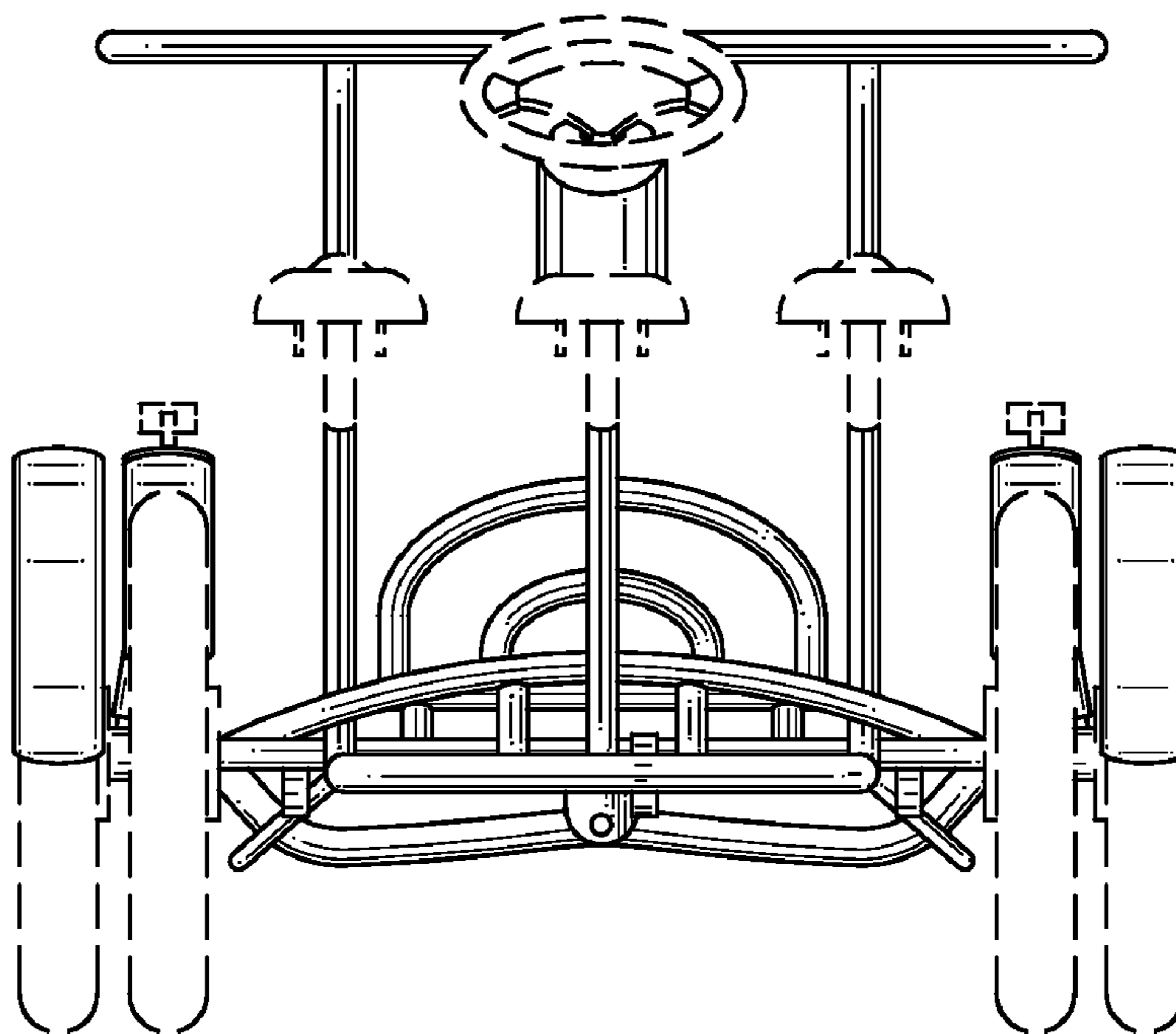
**FIG. 2**



**FIG. 3**



**FIG. 4**



**FIG. 5**