



US00D590746S

(12) **United States Design Patent**  
**Yang**

(10) **Patent No.:** **US D590,746 S**

(45) **Date of Patent:** **\*\* Apr. 21, 2009**

(54) **MINI AUXILIARY FIRE TRAILER**

2005/0040613 A1\* 2/2005 Williams et al. .... 280/30

(76) Inventor: **Tai-Her Yang**, 6F-5, No. 250, Sec. 4,  
Chung Hsiao E. Rd., Taipei (TW) 10692

\* cited by examiner

(\*\*) Term: **14 Years**

*Primary Examiner*—Caron Veynar  
*Assistant Examiner*—Kelly A Donnelly  
(74) *Attorney, Agent, or Firm*—Bacon & Thomas, PLLC

(21) Appl. No.: **29/309,440**

(22) Filed: **Aug. 19, 2008**

(57) **CLAIM**

(51) **LOC (9) Cl.** ..... **12-10**

The ornamental design for a mini auxiliary fire trailer, as shown and described.

(52) **U.S. Cl.** ..... **D12/101**

(58) **Field of Classification Search** ..... D12/101–102;  
280/475, 656, 763.1, 482, 400; 296/181,  
296/190; D34/12, 17–19

**DESCRIPTION**

See application file for complete search history.

FIG. 1 is a perspective view of a mini auxiliary fire trailer showing my new design;

(56) **References Cited**

**U.S. PATENT DOCUMENTS**

5,314,200	A *	5/1994	Phillips	.....	280/400
D464,593	S *	10/2002	Register	.....	D12/102
D507,208	S *	7/2005	Ulch	.....	D12/102
D530,242	S *	10/2006	Prusmack	.....	D12/101
7,144,070	B2 *	12/2006	Wiebe et al.	.....	296/185.1
D542,183	S *	5/2007	Van Buuren	.....	D12/102

FIG. 2 is a front view thereof;

FIG. 3 is a rear view thereof;

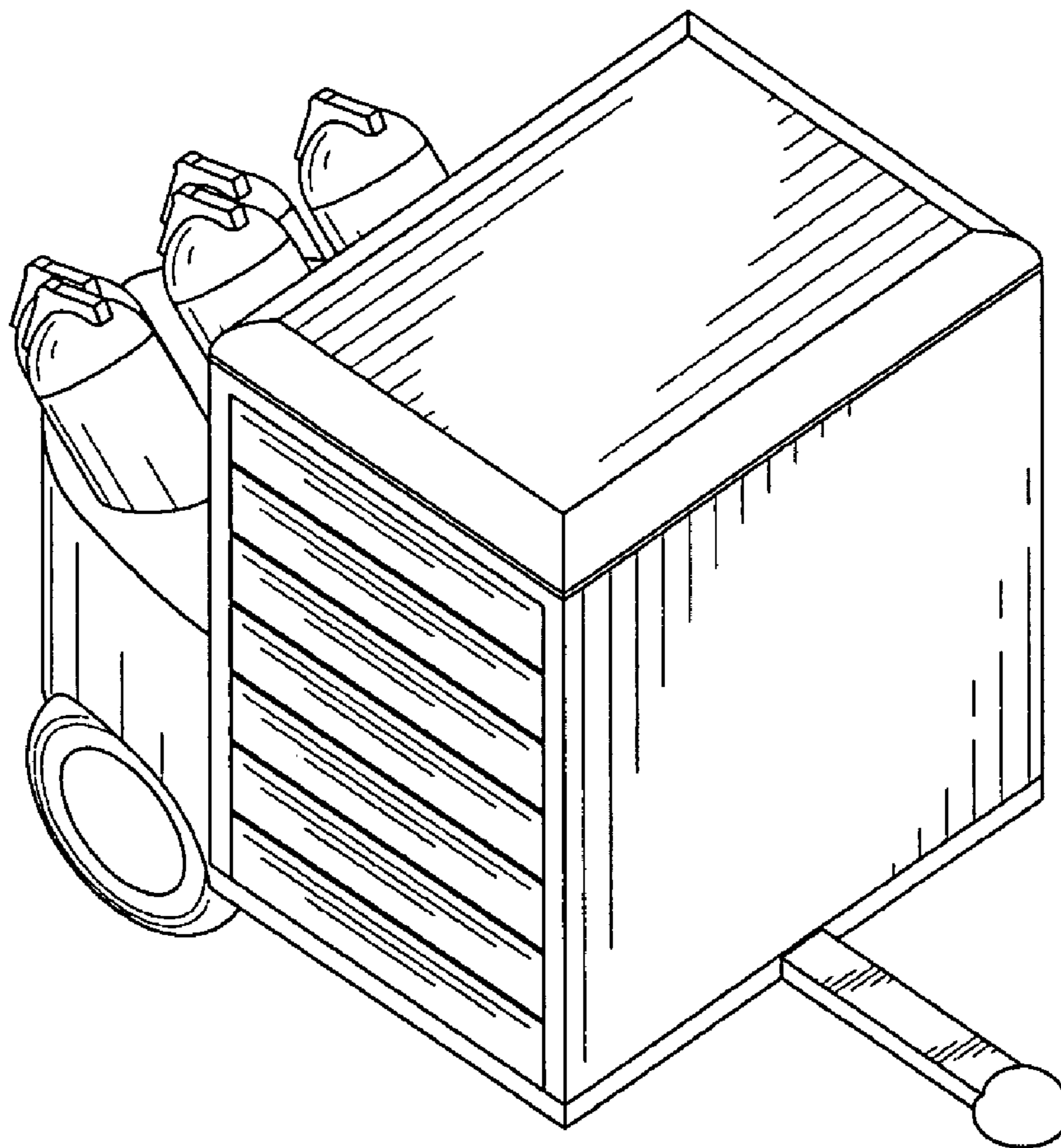
FIG. 4 is a left side view thereof;

FIG. 5 is a right side view thereof;

FIG. 6 is a top plan view thereof; and,

FIG. 7 is a bottom plan view thereof.

**1 Claim, 4 Drawing Sheets**



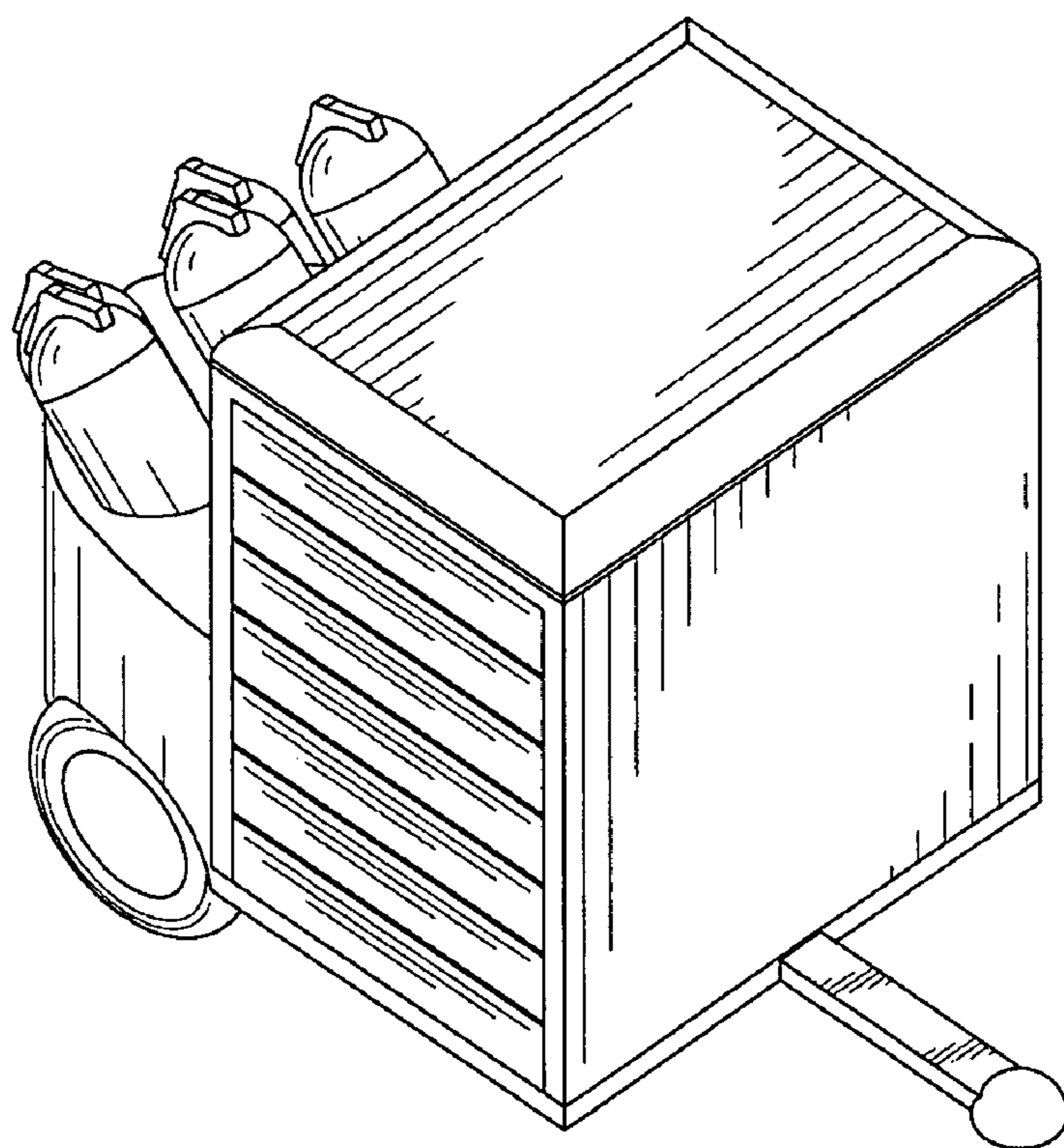


FIG. 1

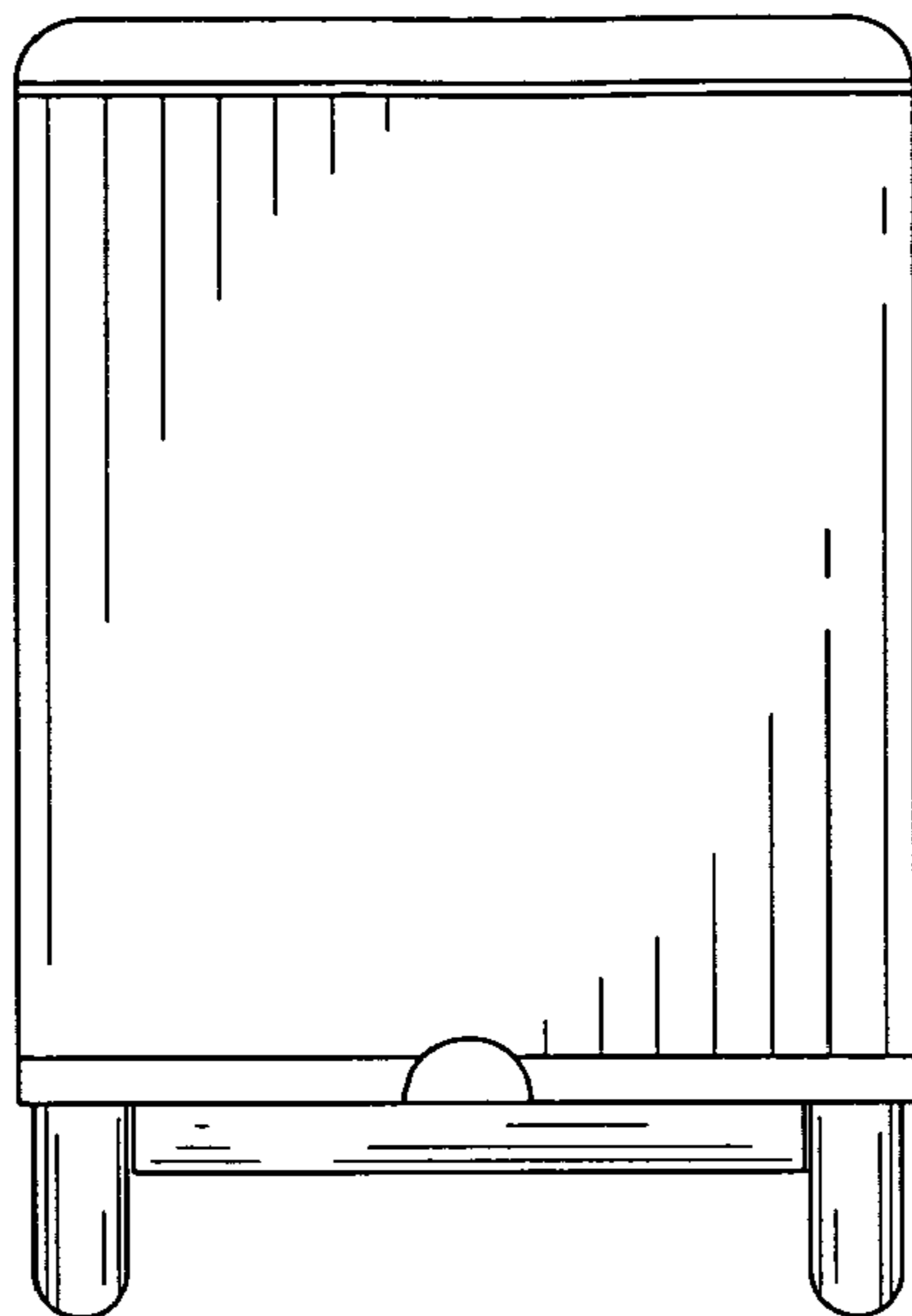


FIG. 2

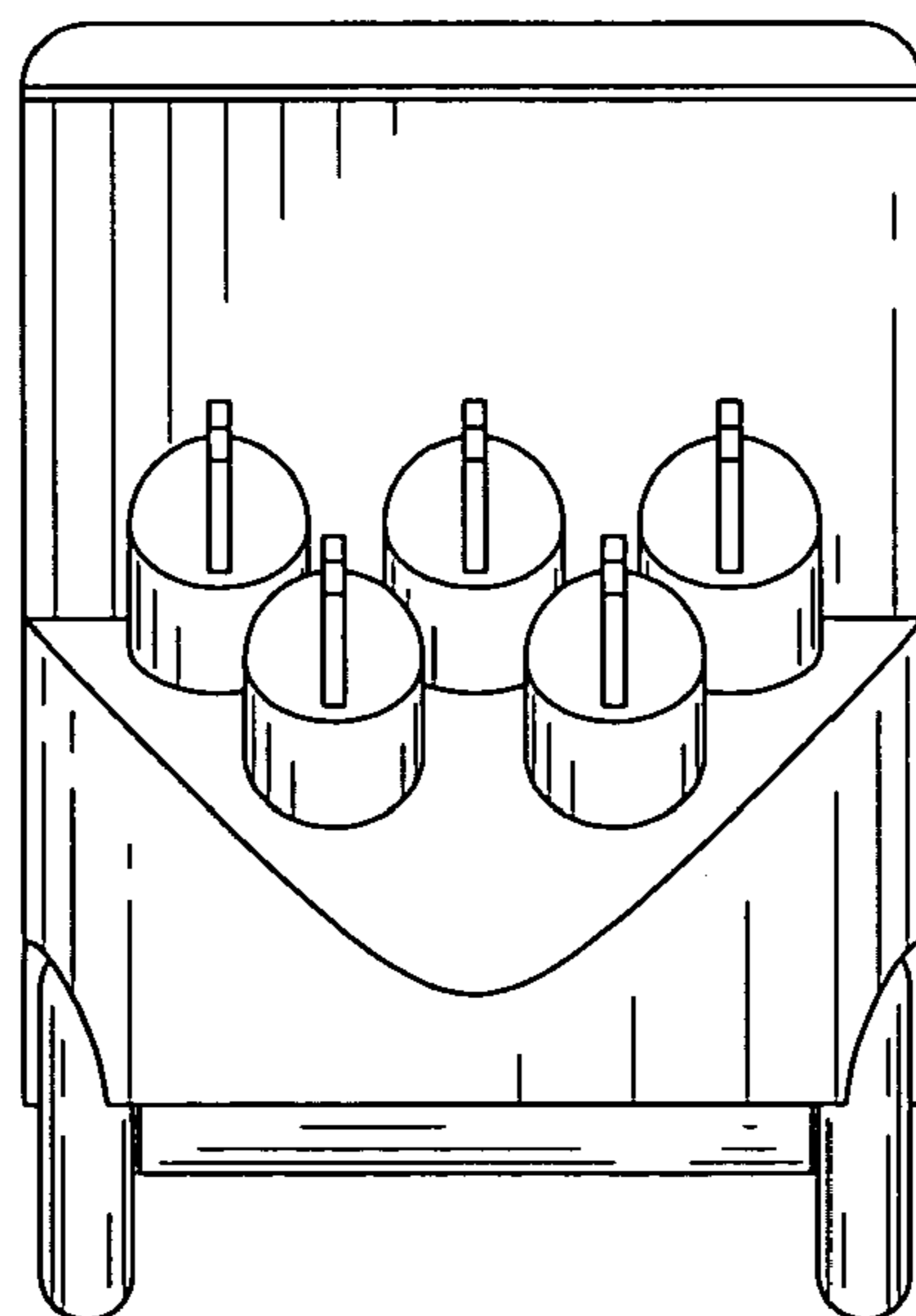


FIG. 3

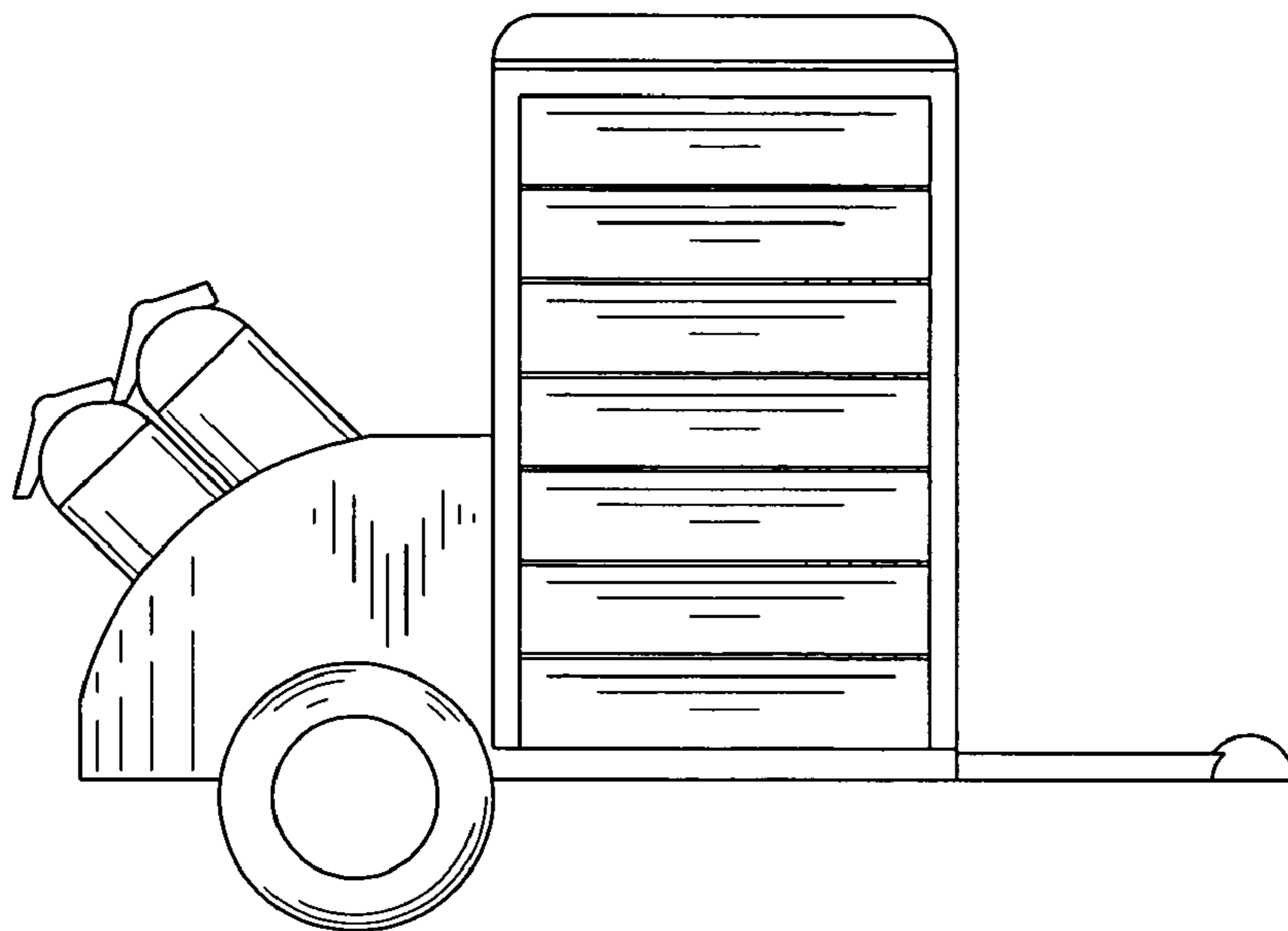


FIG. 4

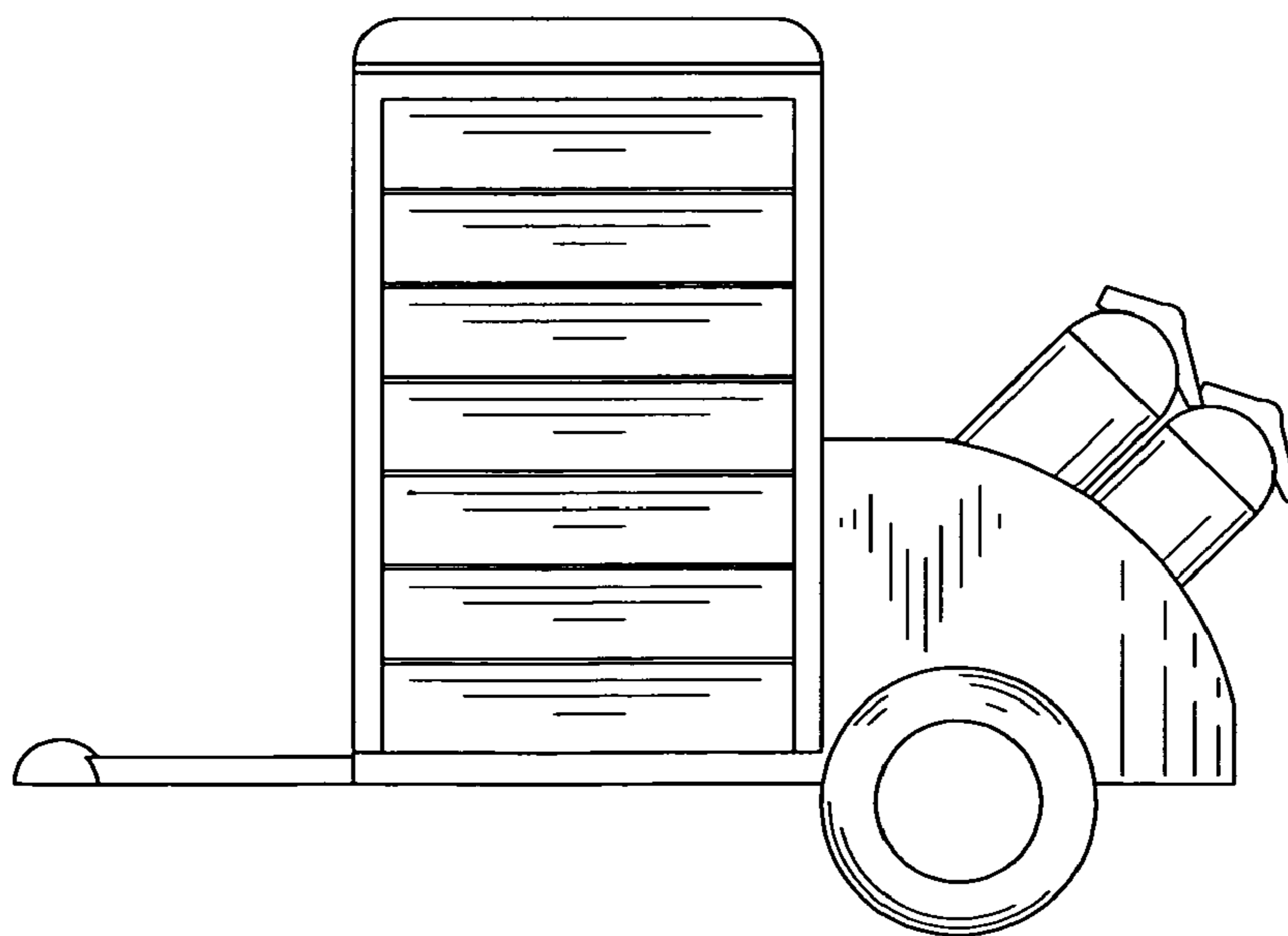


FIG. 5

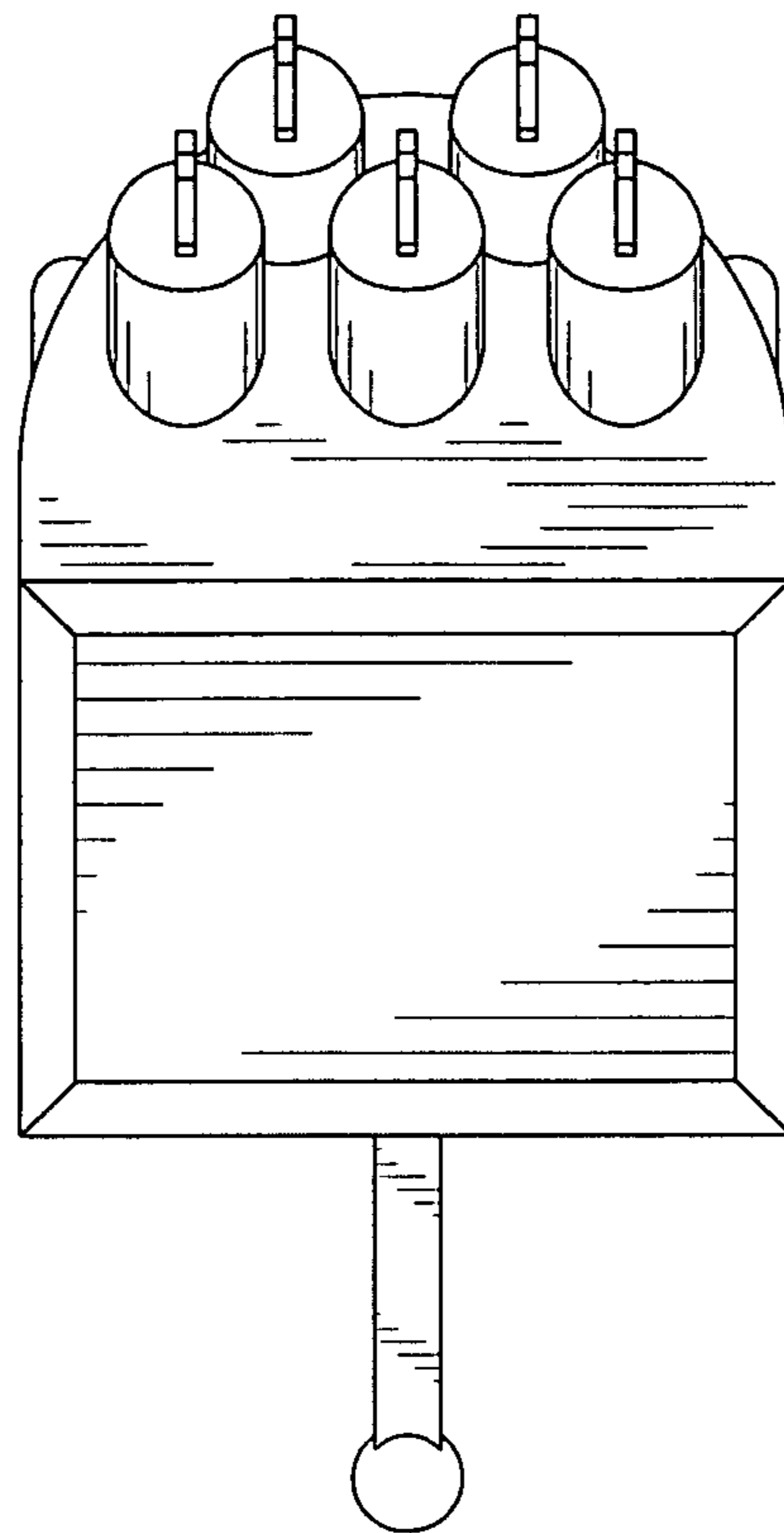


FIG. 6

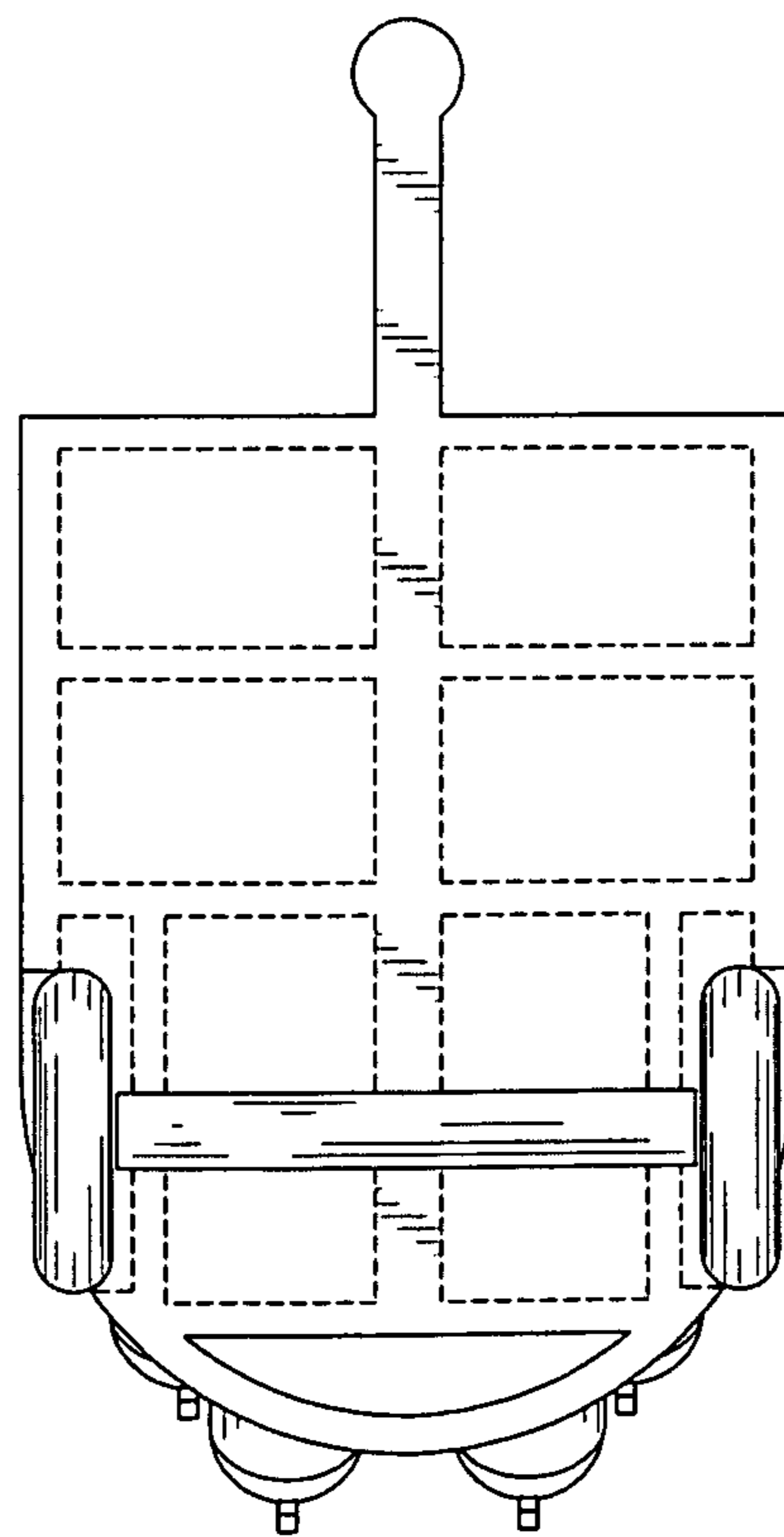


FIG. 7