



US00D590745S

(12) **United States Design Patent**
Bryant et al.

(10) **Patent No.:** **US D590,745 S**
(45) **Date of Patent:** **** Apr. 21, 2009**

(54) **PORTION OF AN OFF-HIGHWAY TRUCK**

(75) Inventors: **Gary C. Bryant**, Chillicothe, IL (US);
John J. Maas, Mount Zion, IL (US);
Andrew M. Rummer, Forsyth, IL (US);
Larry T. Ryterski, Peoria, IL (US);
Kolin J. Kirschenmann, East Peoria, IL (US);
Robert W. Briggs, Lexington, KY (US)

(73) Assignee: **Caterpillar Inc.**, Peoria, IL (US)

(**) Term: **14 Years**

(21) Appl. No.: **29/285,498**

(22) Filed: **Mar. 30, 2007**

(51) **LOC (9) Cl.** **08-10**

(52) **U.S. Cl.** **D12/15**

(58) **Field of Classification Search** D12/1,
D12/5, 22, 15, 93, 98, 196, 14; D15/10,
D15/25, 30, 33; 414/245, 685, 688, 722,
414/724, 493; 108/234, 641; 37/403, 413,
37/442, 443, 412; D21/558, 559, 562, 561
See application file for complete search history.

(56) **References Cited**

U.S. PATENT DOCUMENTS

D184,217	S	*	1/1959	Erlacher et al.	D12/15
D217,726	S	*	6/1970	Cohn	D21/554
D224,651	S		8/1972	Lorenz		
3,713,666	A	*	1/1973	Cheers et al.	280/124.177
D234,130	S	*	1/1975	Kress	D12/15
D235,528	S	*	6/1975	Ahola	D12/15
3,923,337	A	*	12/1975	Kershaw et al.	296/183.2
3,938,238	A	*	2/1976	Kershaw et al.	29/469
D240,613	S	*	7/1976	Thomas et al.	D12/15

(Continued)

OTHER PUBLICATIONS

Rigid Dumper, RD 32, Astra, English Sep. 2005 (3 pps.).

(Continued)

Primary Examiner—T. Chase Nelson
Assistant Examiner—Ania K. Dworzecka
(74) *Attorney, Agent, or Firm*—Michael Braunstein

(57) **CLAIM**

The ornamental design for a portion of an off-highway truck, as shown and described.

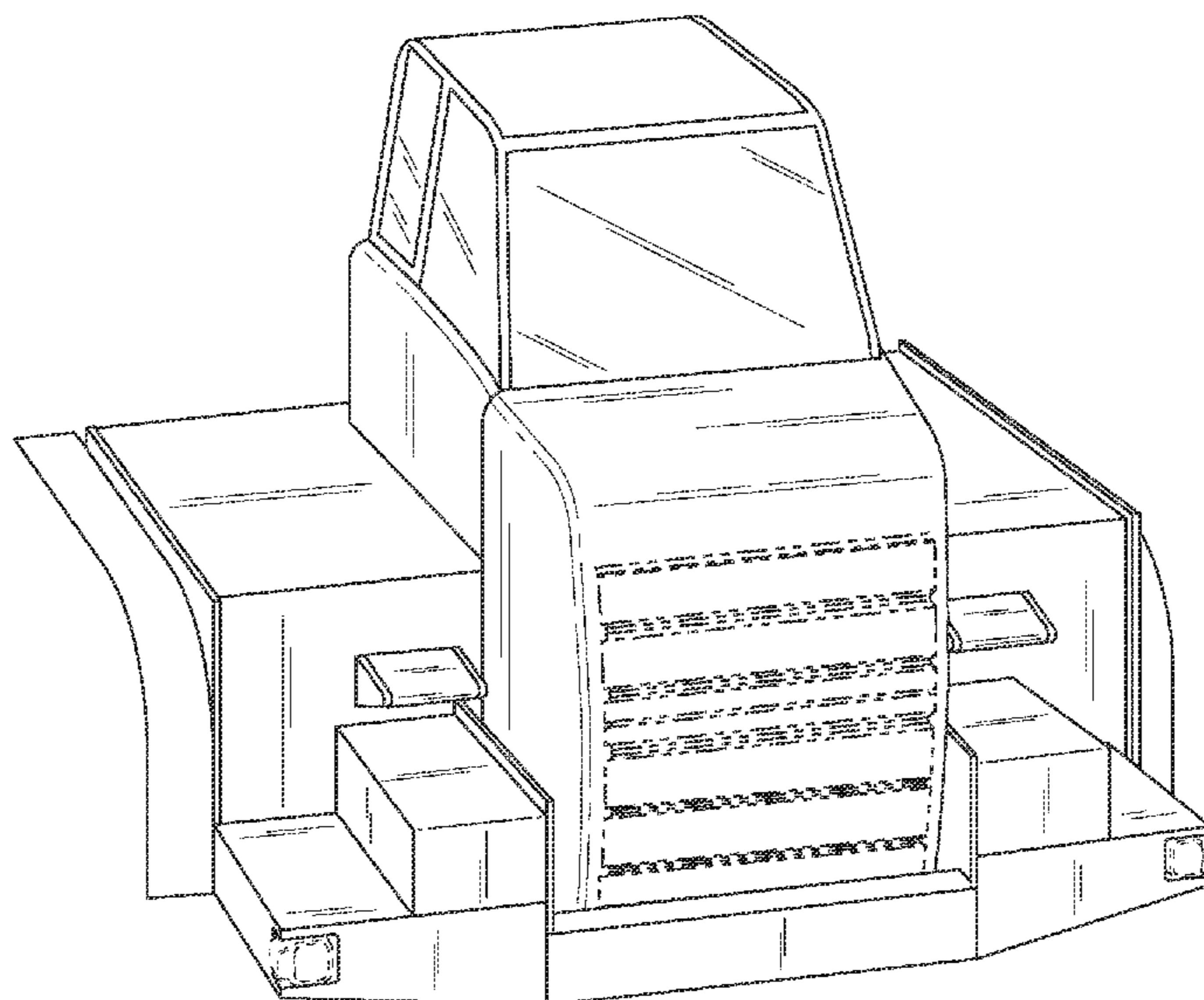
DESCRIPTION

FIG. 1 is a front elevation view of our new design;
FIG. 2 is a right side elevation view thereof;
FIG. 3 is a rear elevation view thereof;
FIG. 4 is a left side elevation view thereof;
FIG. 5 is a top plan view thereof;
FIG. 6 is a left, front perspective view thereof;
FIG. 7 is a right, front perspective view thereof;
FIG. 8 is a left, front perspective view thereof, shown in context;
FIG. 9 is a right, front perspective view thereof, shown in context;
FIG. 10 is a left side elevation view thereof, shown in context; and,
FIG. 11 is a right side elevation view thereof, shown in context.

The bottom view does not form part of the claimed design and therefore is not disclosed.

The elements depicted in dashed lines form no part of the ornamental design.

1 Claim, 11 Drawing Sheets



US D590,745 S

Page 2

U.S. PATENT DOCUMENTS

3,977,489	A *	8/1976	Cole et al.	180/89.1	6,612,774	B1 *	9/2003	Dulin	404/104
4,236,601	A *	12/1980	Naka	182/76	6,935,678	B1 *	8/2005	Laban et al.	296/183.2
4,307,300	A *	12/1981	Kisami	307/9.1	7,100,256	B2 *	9/2006	D'Amico et al.	29/401.1
4,325,444	A *	4/1982	Anami	180/346	7,131,670	B2 *	11/2006	Kinoshita	280/856
4,418,636	A *	12/1983	Piper	116/28 R	D545,473	S *	6/2007	Nunes	D26/73
4,491,336	A *	1/1985	Myers	280/124.154	D560,553	S *	1/2008	Vance et al.	D12/15
4,531,781	A *	7/1985	Hunt et al.	298/22 P	2002/0047300	A1 *	4/2002	Uematsu et al.	298/22 R
D289,069	S *	3/1987	Ohno	D21/580	2002/0103623	A1 *	8/2002	Hasegawa et al.	702/184
D289,748	S	5/1987	Proeschl		2003/0010549	A1 *	1/2003	Hinton et al.	180/65.5
4,684,152	A *	8/1987	Goodbary et al.	280/785	2004/0026959	A1 *	2/2004	Kostecki	296/183.2
4,719,361	A *	1/1988	Brubaker	290/45	2004/0036245	A1 *	2/2004	Mollhagen	280/124.128
5,385,391	A *	1/1995	Dickerson	298/17 R	2004/0102907	A1 *	5/2004	Lueschow et al.	702/33
5,472,062	A *	12/1995	Nagai et al.	180/252	2004/0104596	A1 *	6/2004	Bender	296/183.2
5,520,442	A *	5/1996	Kisami et al.	298/17 R	2005/0040695	A1 *	2/2005	Kinoshita	301/36.3
5,564,519	A *	10/1996	Katoh et al.	180/243	2005/0126056	A1 *	6/2005	Kostecki	37/379
5,797,657	A *	8/1998	D'Amico et al.	298/17 R	2005/0278089	A1 *	12/2005	Lueschow	701/29
6,086,076	A *	7/2000	Prem et al.	280/124.111	2006/0080818	A1 *	4/2006	D'Amico et al.	29/401.1
6,113,193	A *	9/2000	Kunzeman	298/1 H	2007/0101818	A1 *	5/2007	Kabrich et al.	74/335
6,175,788	B1 *	1/2001	Hasegawa et al.	701/29	2007/0114092	A1 *	5/2007	Khalil et al.	180/406
D458,943	S	6/2002	Briggs et al.						
D465,499	S	11/2002	Briggs et al.						
6,542,851	B2 *	4/2003	Hasegawa et al.	702/182					
6,588,539	B2 *	7/2003	Hinton et al.	180/372					

OTHER PUBLICATIONS

New Rigid Dump Trucks, RD 28, RD 32, Astra, Italian/English, A3500679-05-2005, (2 pps.).

* cited by examiner

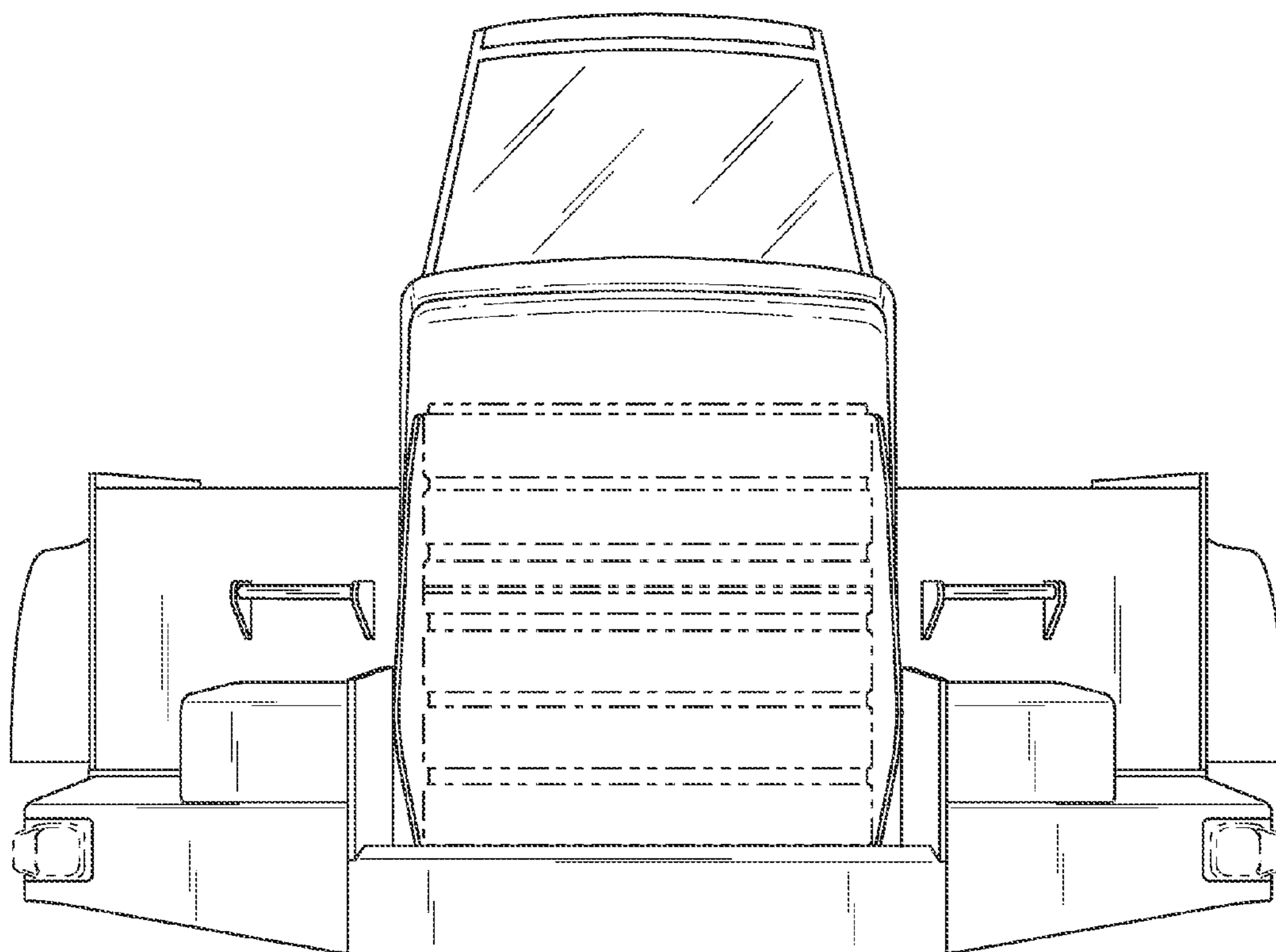


FIG. 1

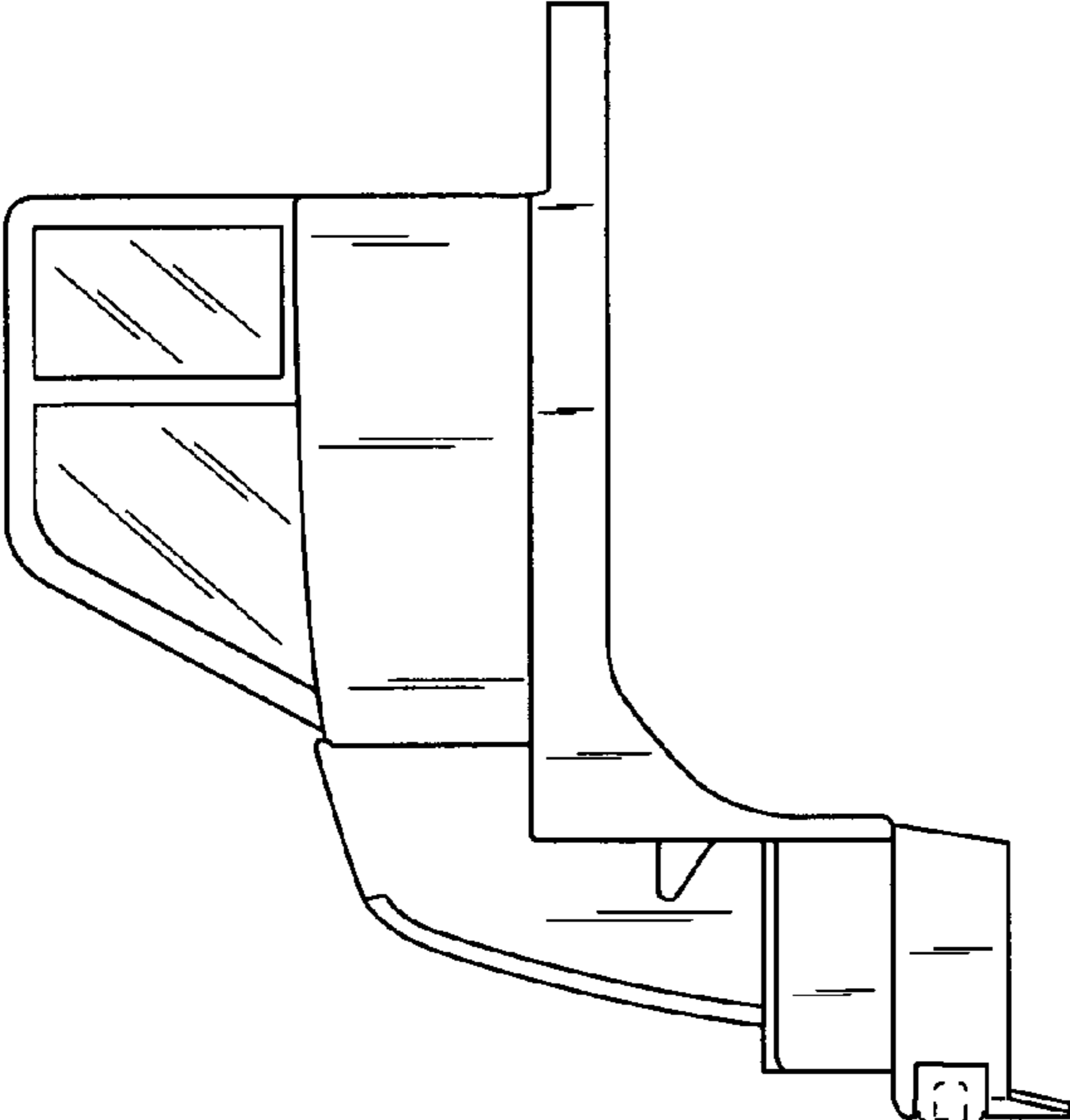


FIG. 2

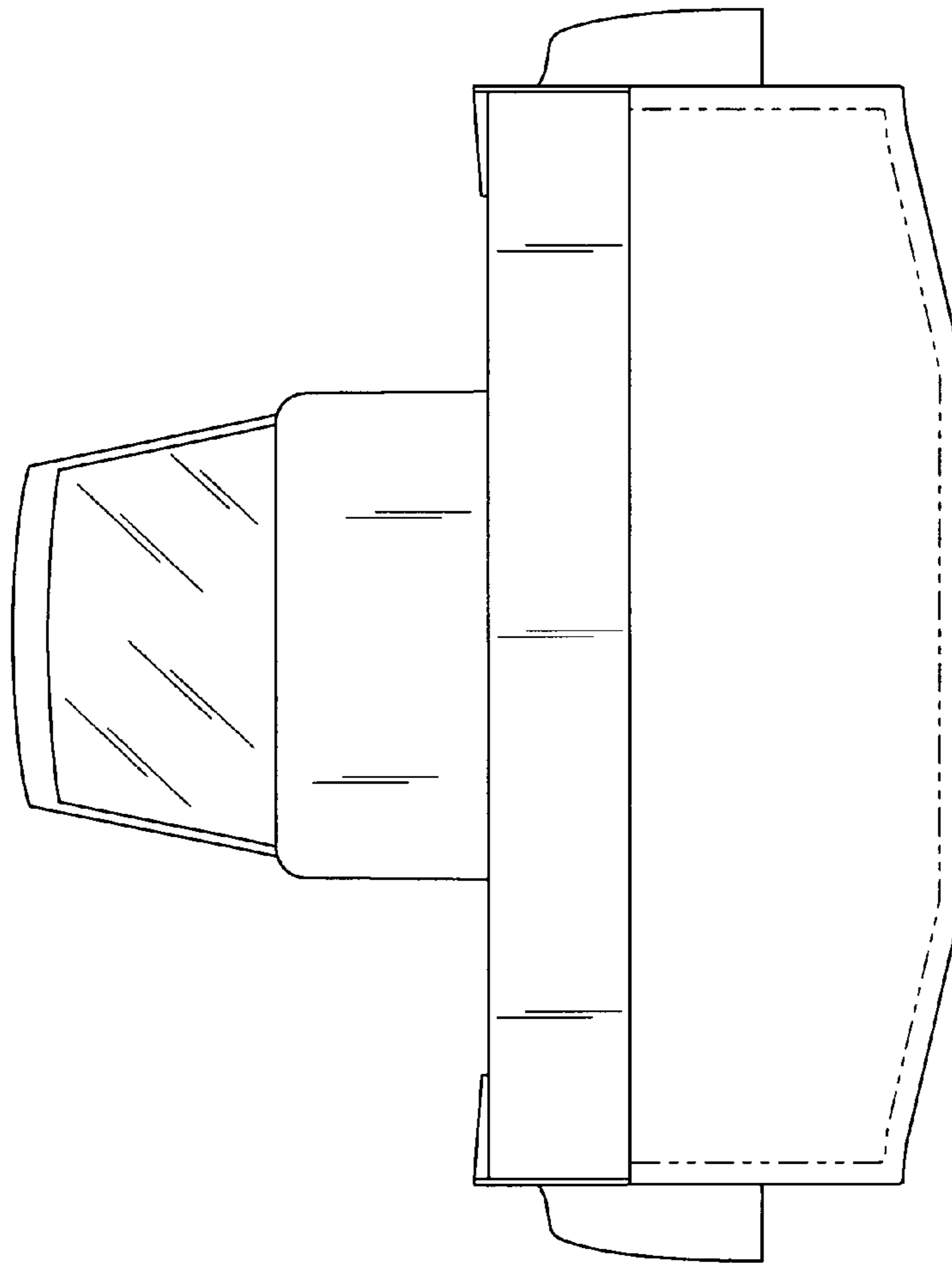


FIG. 3

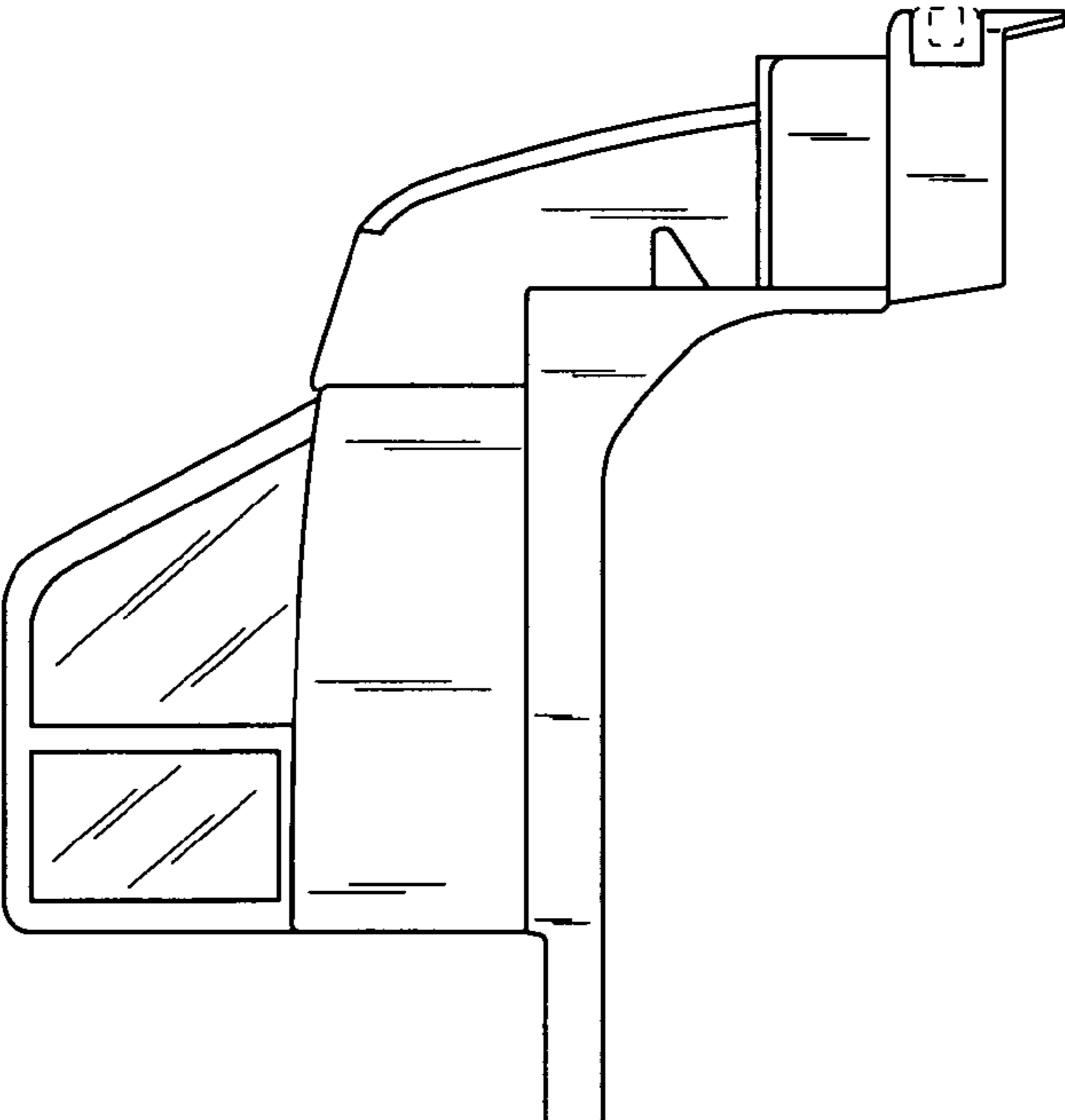


FIG. 4

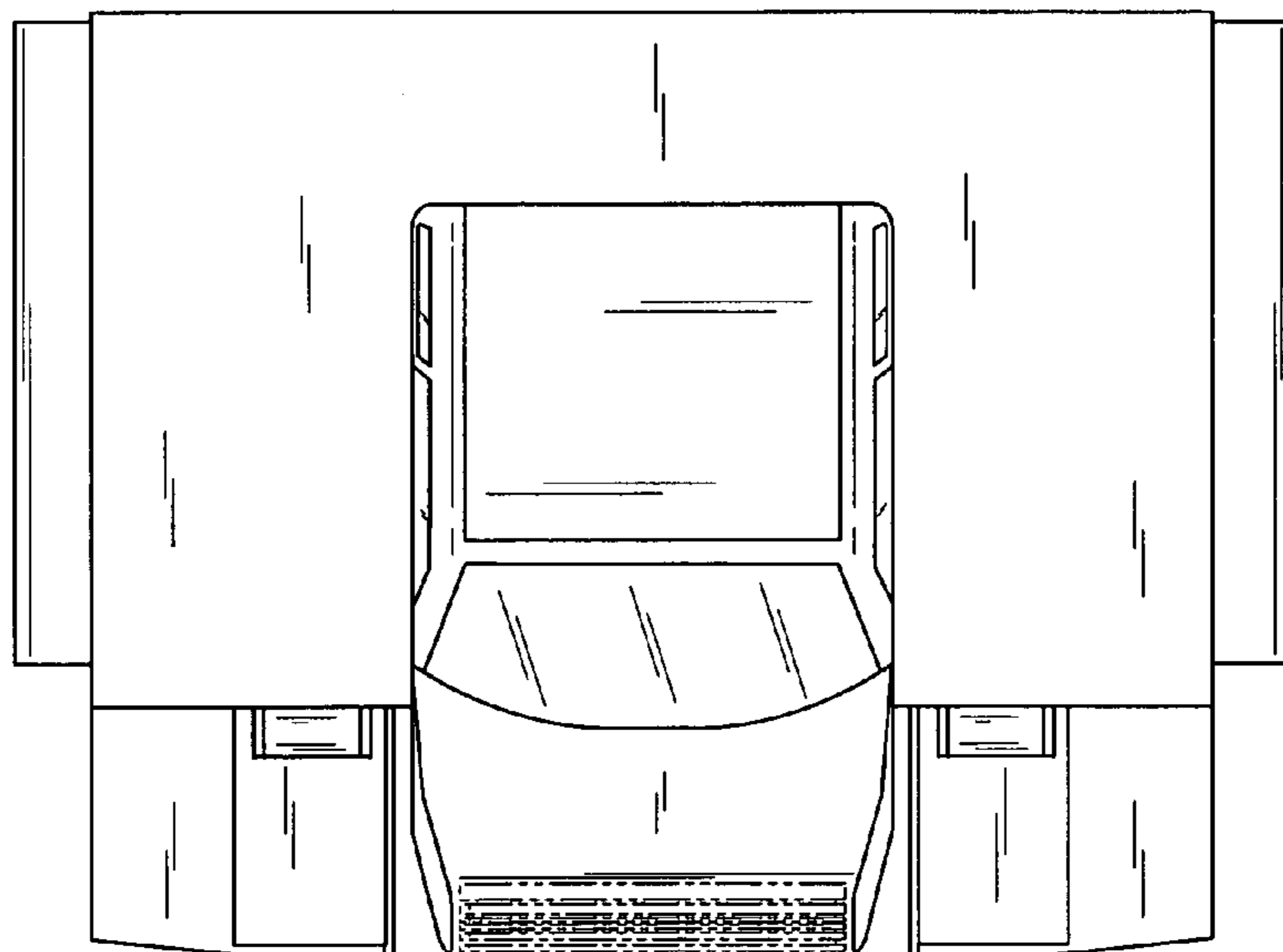


FIG. 5

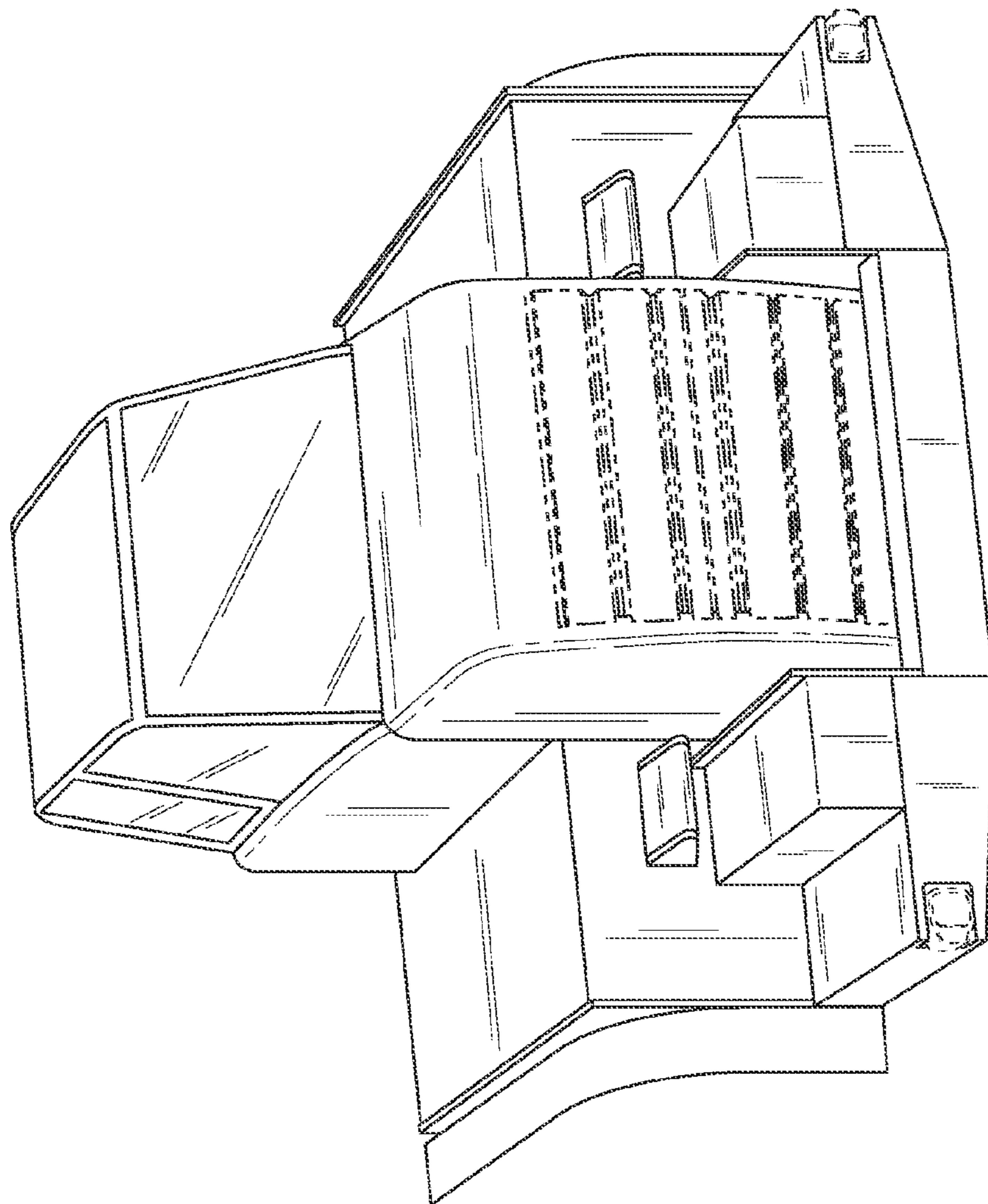


FIG. 6

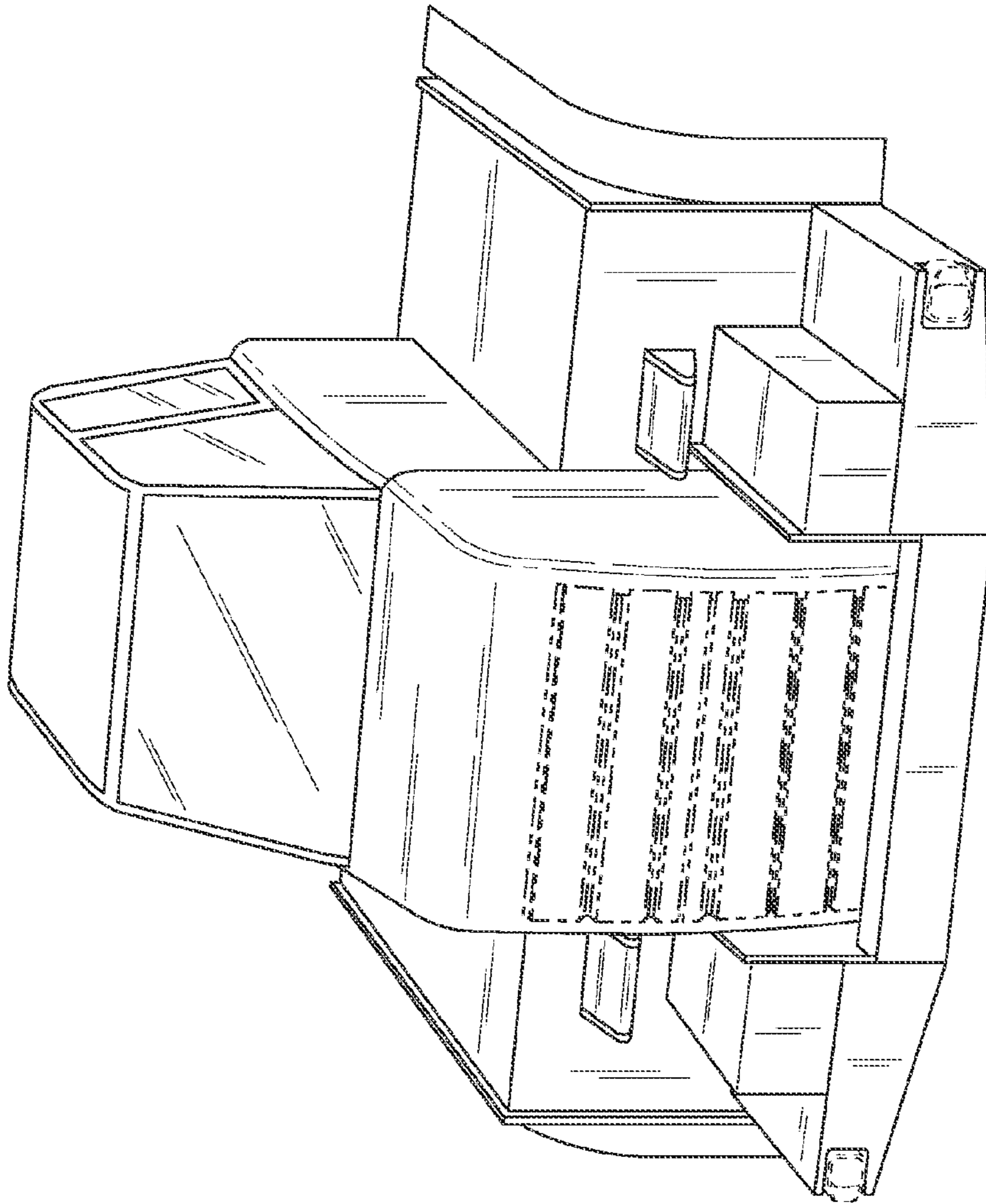


FIG. 7

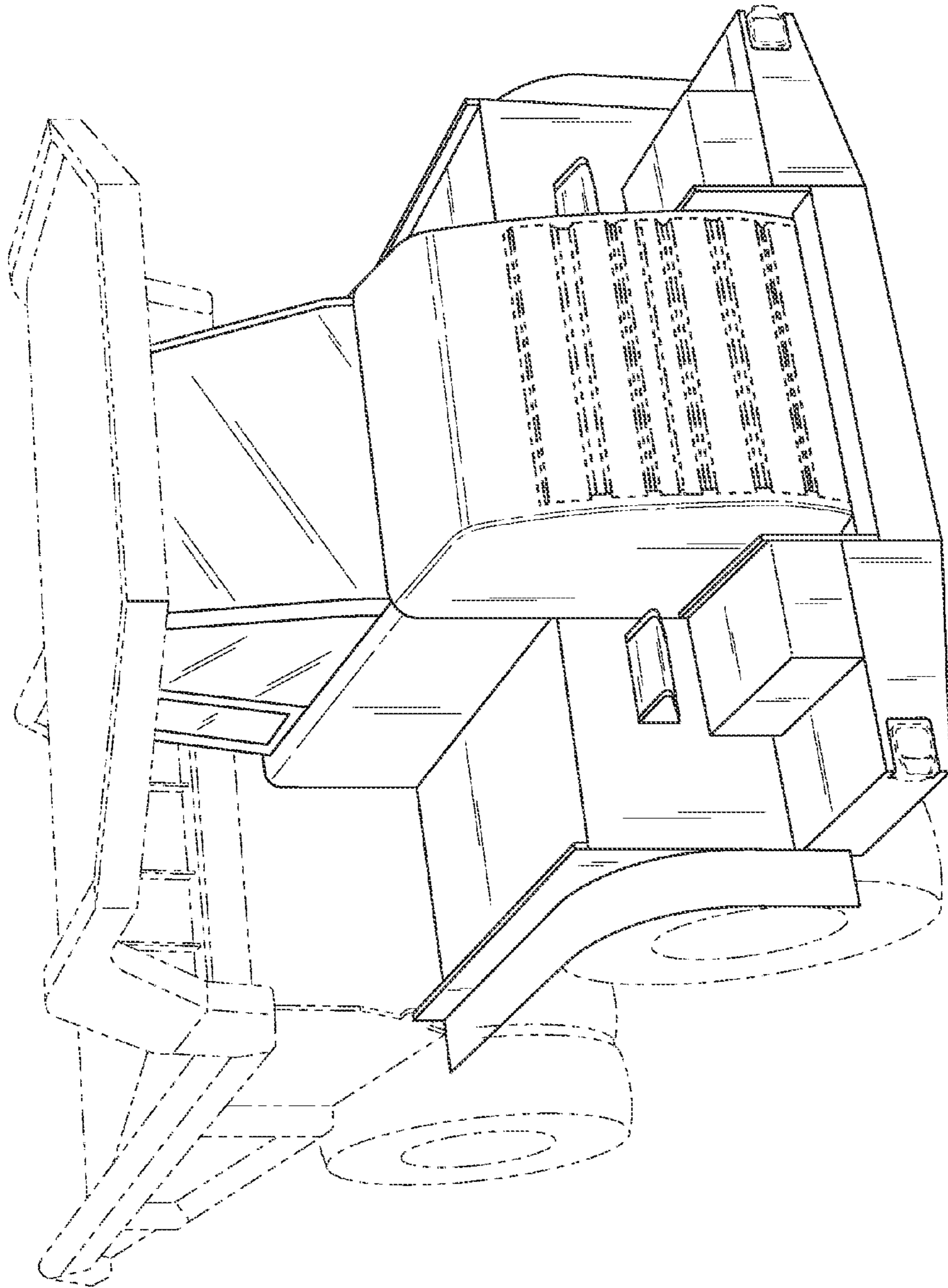


FIG. 8

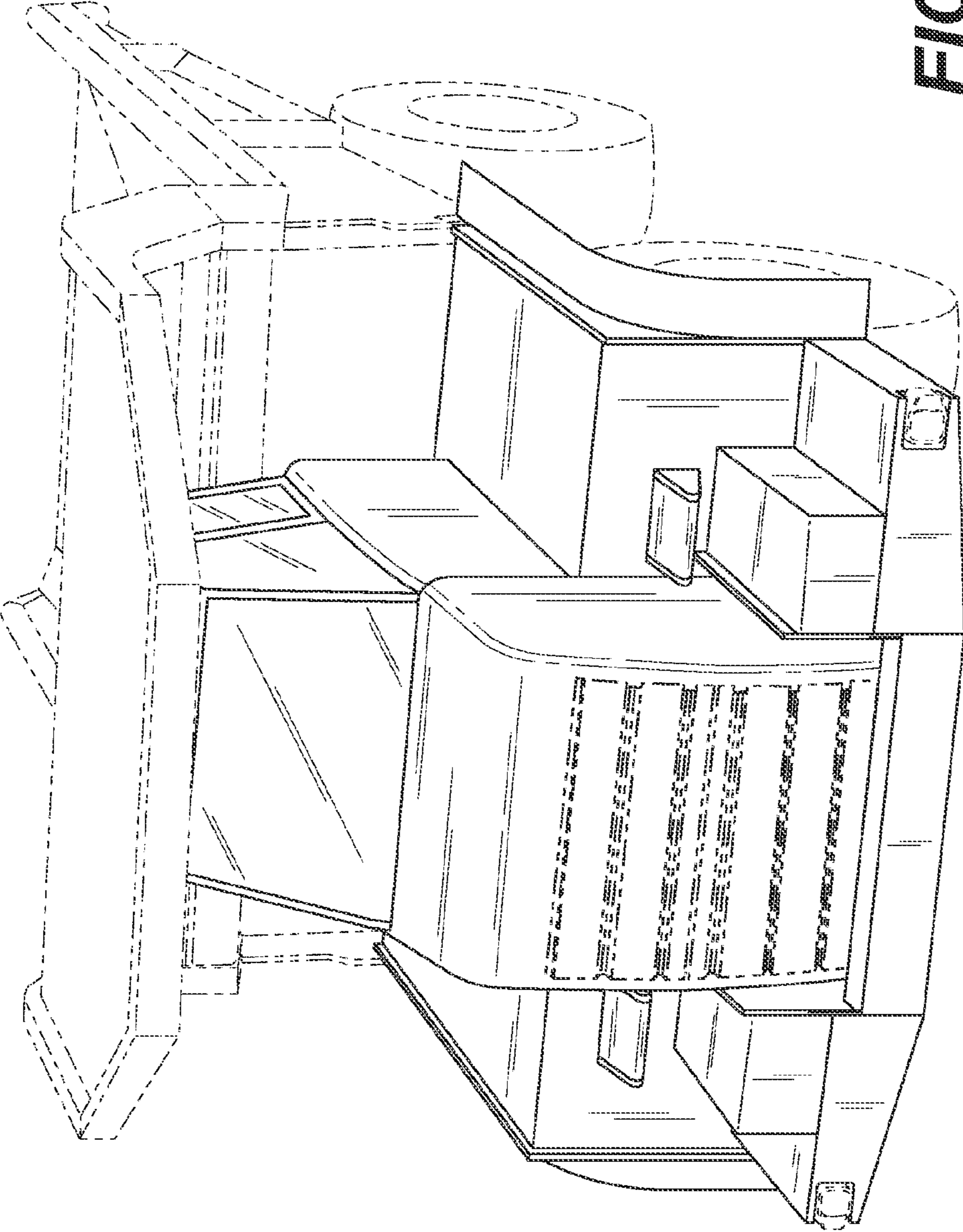


FIG. 9

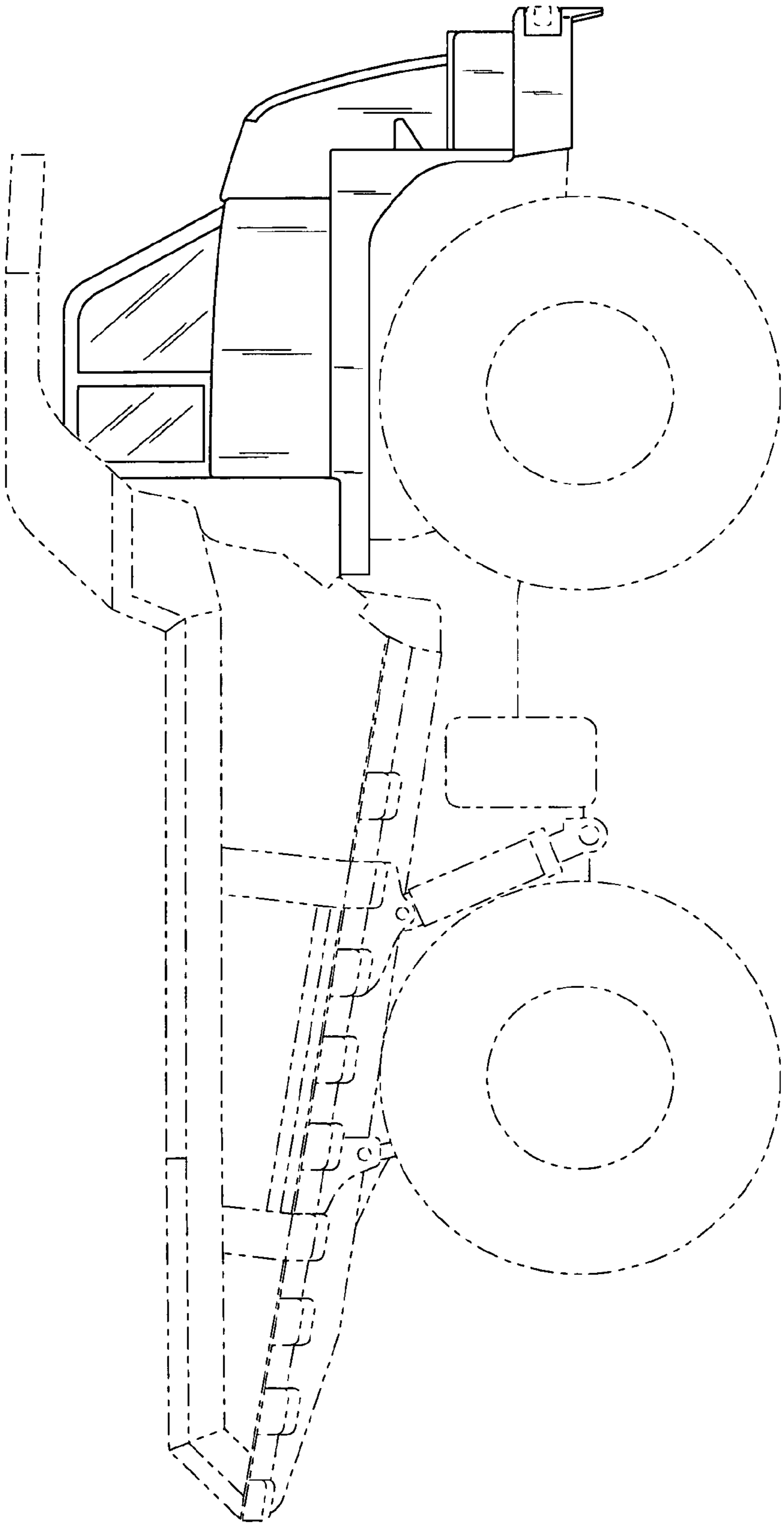


FIG. 10

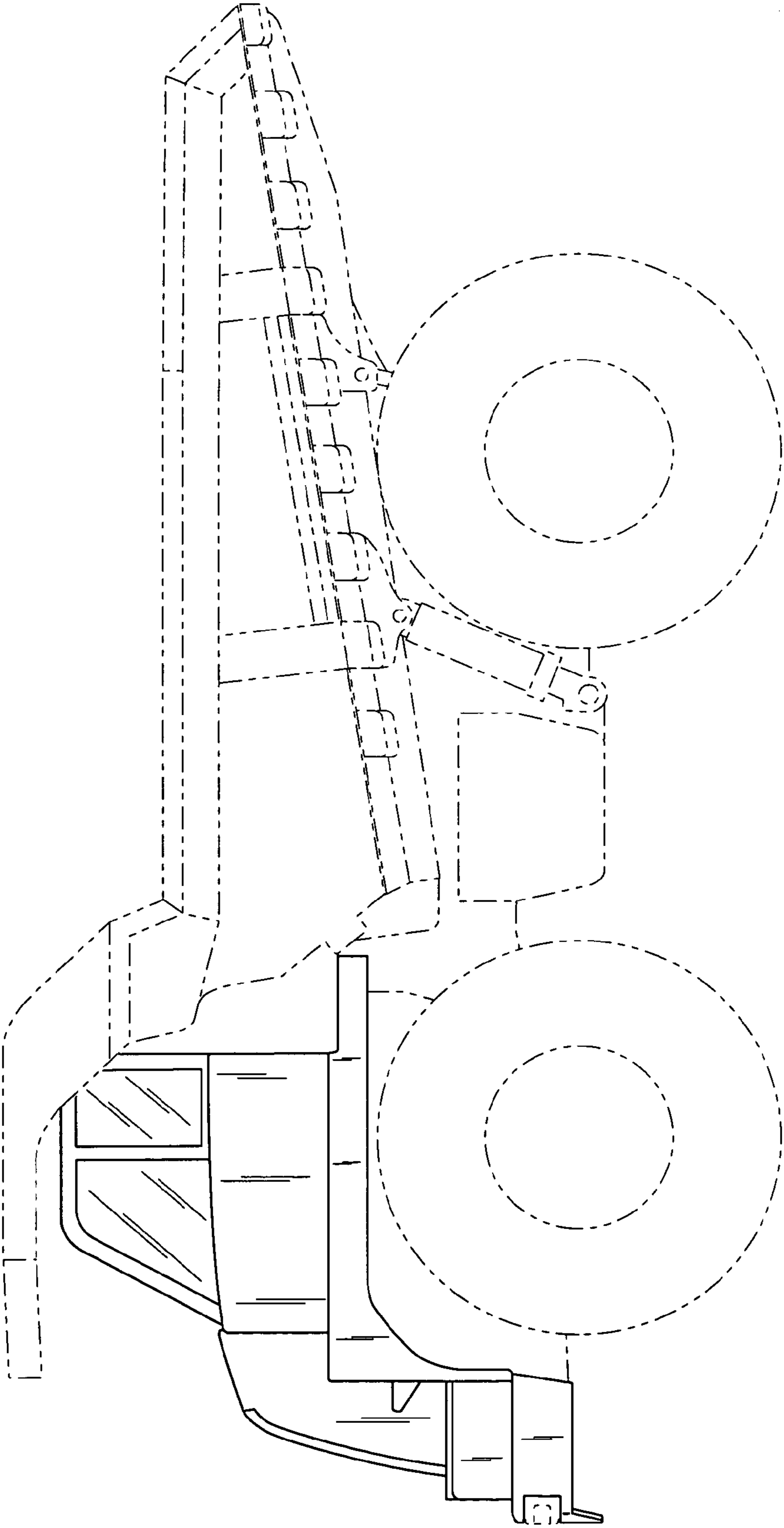


FIG. 11