



US00D590743S

(12) **United States Design Patent**
Waters et al.

(10) **Patent No.:** **US D590,743 S**
(45) **Date of Patent:** **** Apr. 21, 2009**

(54) **MODULAR VEHICLE**

(75) Inventors: **Raul J. Waters**, Columbia, MO (US);
Gordon W. Clune, La Canada, CA
(US); **Cody I. Glenn**, Los Angeles, CA
(US); **Michael Kacaba**, Topanga, CA
(US); **Aaron Lehnhardt**, Mission Viejo,
CA (US)

(73) Assignee: **Walters & Clune, LLC**, North
Hollywood, CA (US)

(**) Term: **14 Years**

(21) Appl. No.: **29/265,257**

(22) Filed: **Aug. 28, 2006**

(51) **LOC (9) Cl.** **12-13**

(52) **U.S. Cl.** **D12/12; D12/1**

(58) **Field of Classification Search** D12/1,
D12/12, 14, 15; 89/36.08, 36.09, 40.03,
89/1.13; D21/539, 556, 557, 559, 562; 180/89.1,
180/89.12, 232, 242, 449; D15/23, 24, 25,
D15/28, 33, 199

See application file for complete search history.

(56) **References Cited**

U.S. PATENT DOCUMENTS

3,176,585 A * 4/1965 Ruf 89/36.08

D217,056 S * 3/1970 Gamaunt D12/3
D223,817 S * 6/1972 Halopff D12/92
4,114,716 A * 9/1978 Sanders 296/190.01
5,191,166 A * 3/1993 Smirlock et al. 89/36.02
6,584,881 B1 * 7/2003 Boudreau et al. 89/1.804
6,907,812 B1 * 6/2005 Eckstedt 89/37.01
2003/0089220 A1 * 5/2003 Boudreau et al. 89/1.815
2005/0284682 A1 * 12/2005 Hass et al. 180/242
2006/0005695 A1 * 1/2006 Honlinger et al. 89/36.08

* cited by examiner

Primary Examiner—T. Chase Nelson

Assistant Examiner—Ania K Dworzecka

(74) *Attorney, Agent, or Firm*—Fulwider Patton LLP

(57) **CLAIM**

The ornamental design for a modular vehicle, as shown and described.

DESCRIPTION

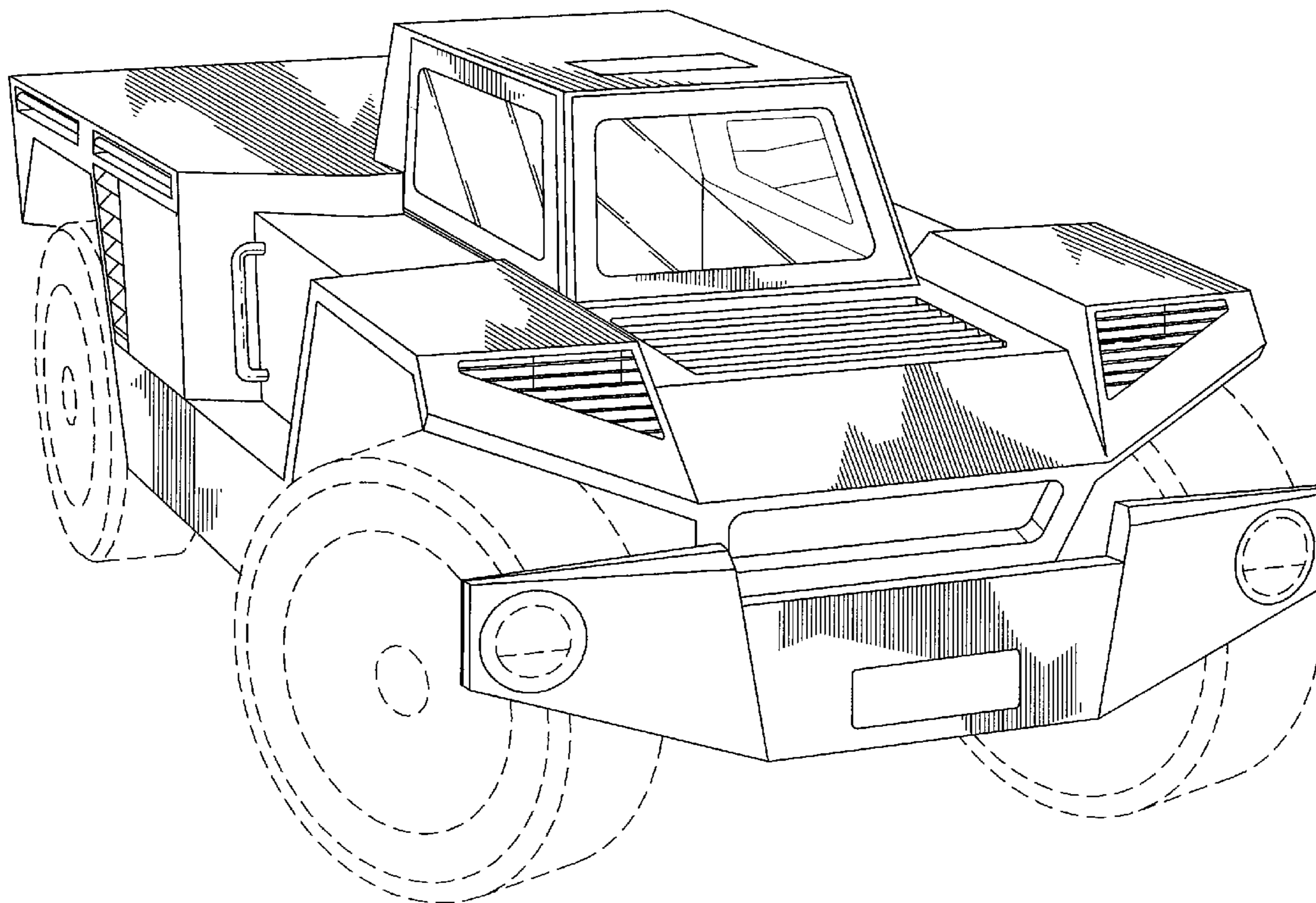
FIG. 1 is a front perspective view of a modular vehicle showing our new design;

FIG. 2 is a rear perspective view thereof; and,

FIG. 3 is a side elevational view thereof.

The broken lines depict unclaimed environmental subject matter.

1 Claim, 3 Drawing Sheets



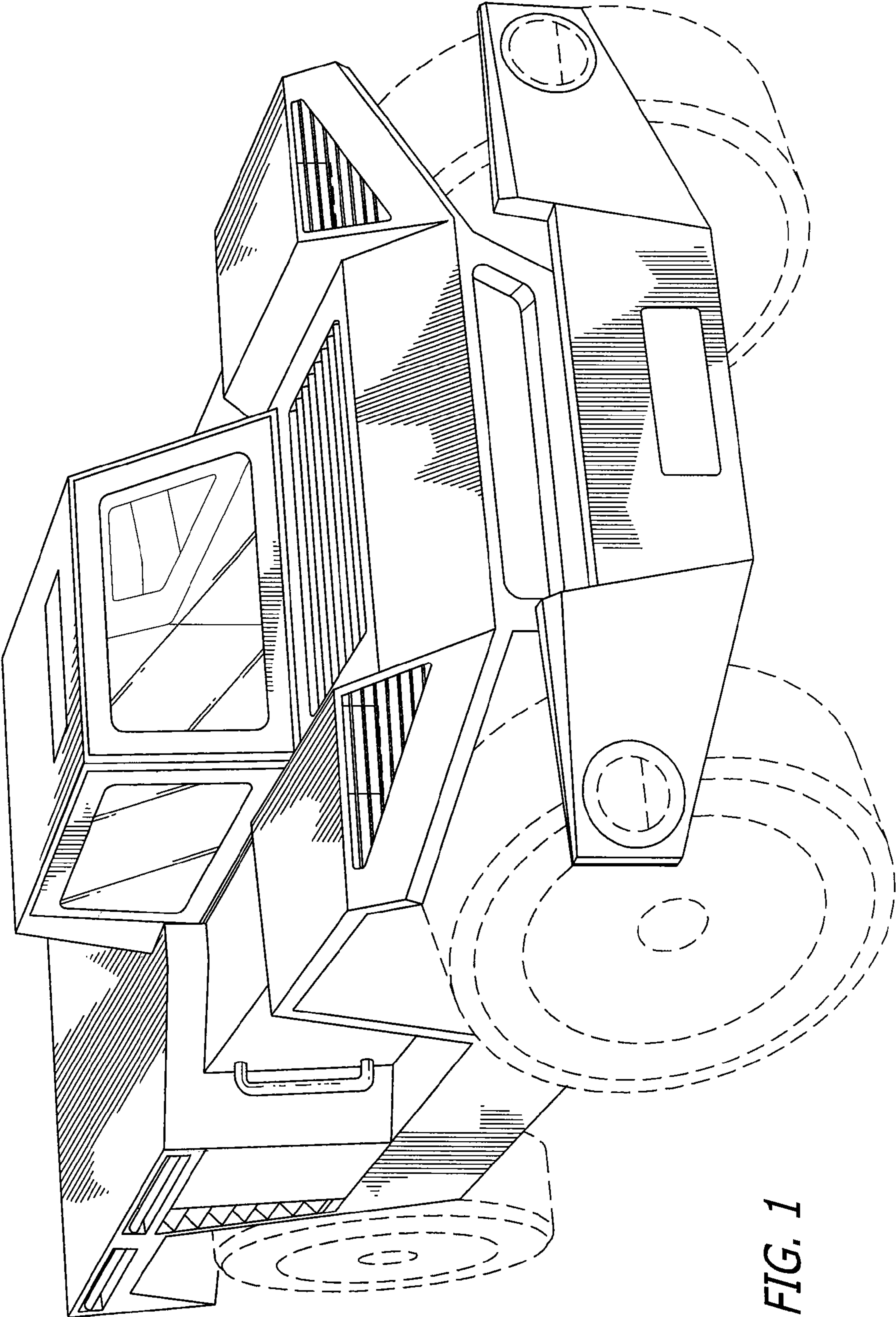


FIG. 1

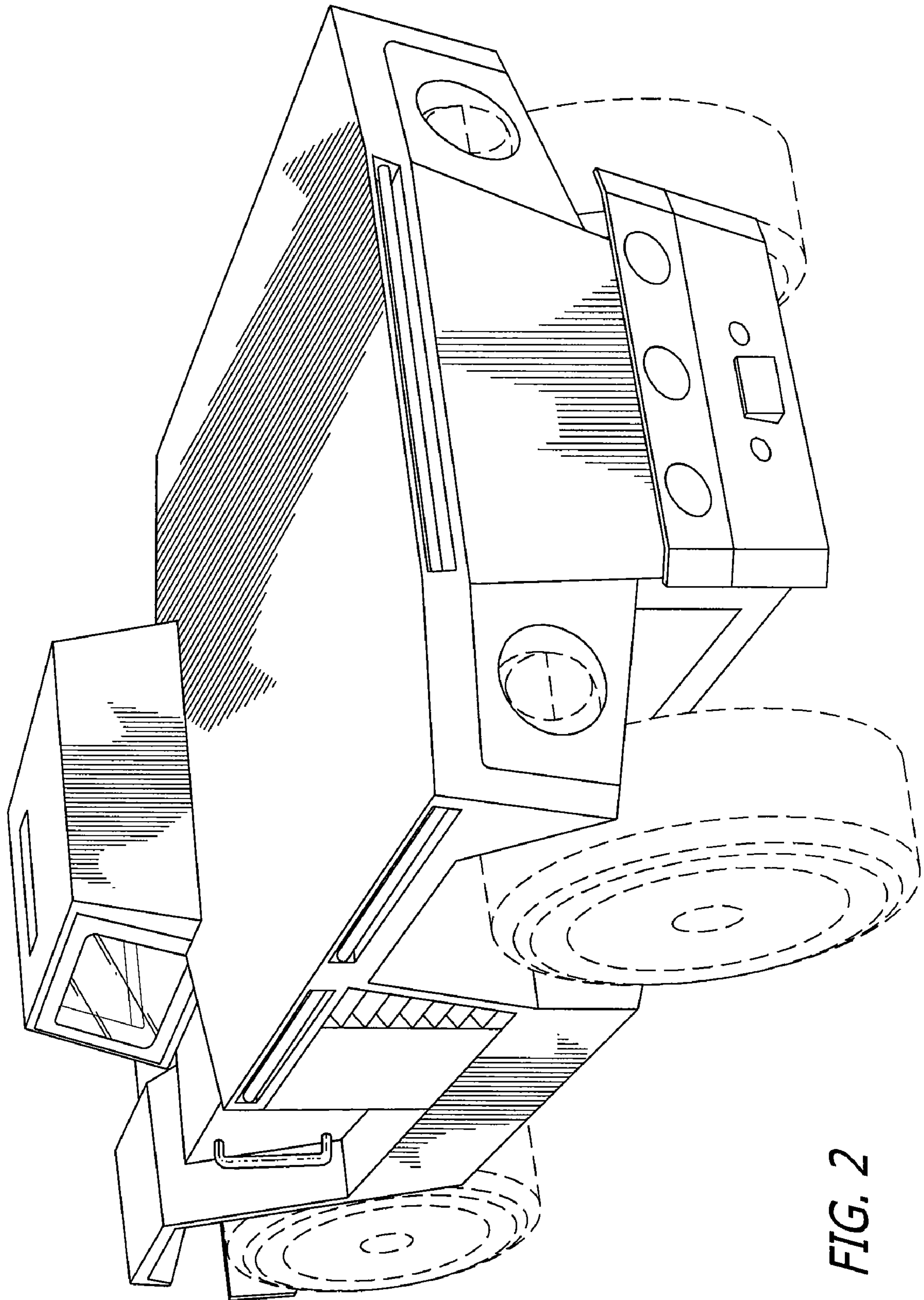


FIG. 2

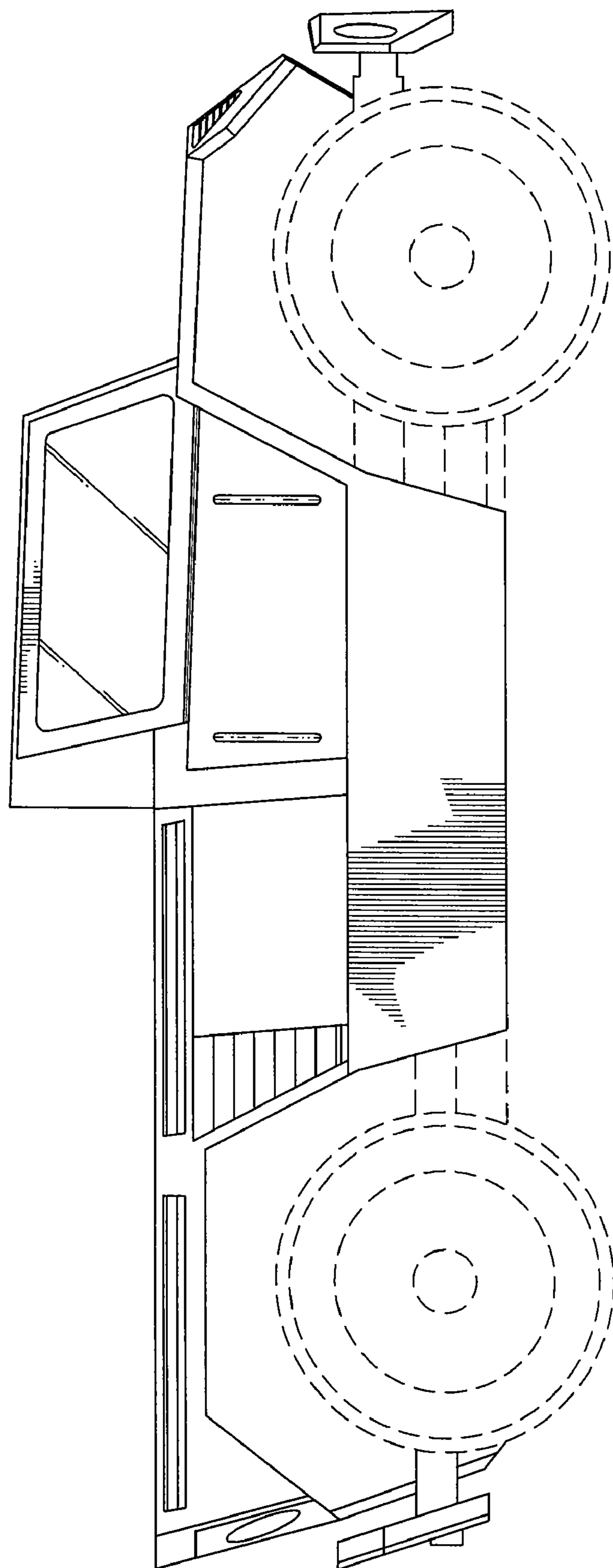


FIG. 3