



US00D590731S

(12) **United States Design Patent**
McEwan et al.

(10) **Patent No.:** **US D590,731 S**

(45) **Date of Patent:** **** Apr. 21, 2009**

(54) **PORTION OF A TAPE CASE**

D423,380 S 4/2000 Kram

(Continued)

(75) Inventors: **Sean Michael McEwan**, Raleigh, NC
(US); **Brian D. Westbrook**, Raleigh, NC
(US)

OTHER PUBLICATIONS

(73) Assignee: **Cooper Brands Inc.**, Houston, TX (US)

www.cooperhandtools.com, Lufkin Fiberglass Long Tapes Hi-Viz®
Linear, © 2000-2005.

(**) Term: **14 Years**

www.cooperhandtools.com, Lufkin Fiberglass Long Tapes
ProSeries, © 2000-2005.

(21) Appl. No.: **29/319,343**

Primary Examiner—Antoine D Davis

(22) Filed: **Jun. 6, 2008**

(74) *Attorney, Agent, or Firm*—Saidman DesignLaw Group

(57) **CLAIM**

Related U.S. Application Data

The ornamental design for a portion of a tape case, as shown
and described.

(62) Division of application No. 29/285,271, filed on Mar.
26, 2007, now Pat. No. Des. 571,679.

DESCRIPTION

(51) **LOC (9) Cl.** **10-04**

FIG. 1 is a perspective view of first embodiment of a portion
of a tape case showing our new design;

(52) **U.S. Cl.** **D10/74**

FIG. 2 is a front view thereof;

(58) **Field of Classification Search** D10/72,
D10/74; 33/751-771; 242/292, 381.1, 381.2,
242/381.3, 381.4, 381.5, 381.6

FIG. 3 is a back view thereof;

See application file for complete search history.

FIG. 4 is a left side view thereof;

(56) **References Cited**

FIG. 5 is a right side view thereof;

U.S. PATENT DOCUMENTS

FIG. 6 is a top view thereof;

D178,567 S	8/1956	Holscher
D208,066 S	7/1967	Collura et al.
D310,043 S	8/1990	Kang
D311,697 S	10/1990	Kang
D322,943 S	1/1992	Sun
D324,346 S	3/1992	Ogasawara
D341,329 S	11/1993	Morris
D351,561 S	10/1994	Moffatt et al.
D365,769 S	1/1996	Kang
D377,911 S	2/1997	Ogasawara
D396,012 S	7/1998	Walsten
D398,870 S	9/1998	Konen et al.
D408,749 S	4/1999	Walsten
D410,859 S	6/1999	Hioki
D418,765 S	1/2000	Martone et al.
D422,227 S	4/2000	Lin

FIG. 7 is a bottom view thereof;

FIG. 8 is a perspective view of a second embodiment thereof;

FIG. 9 is a front view thereof;

FIG. 10 is a back view thereof;

FIG. 11 is a left side view thereof;

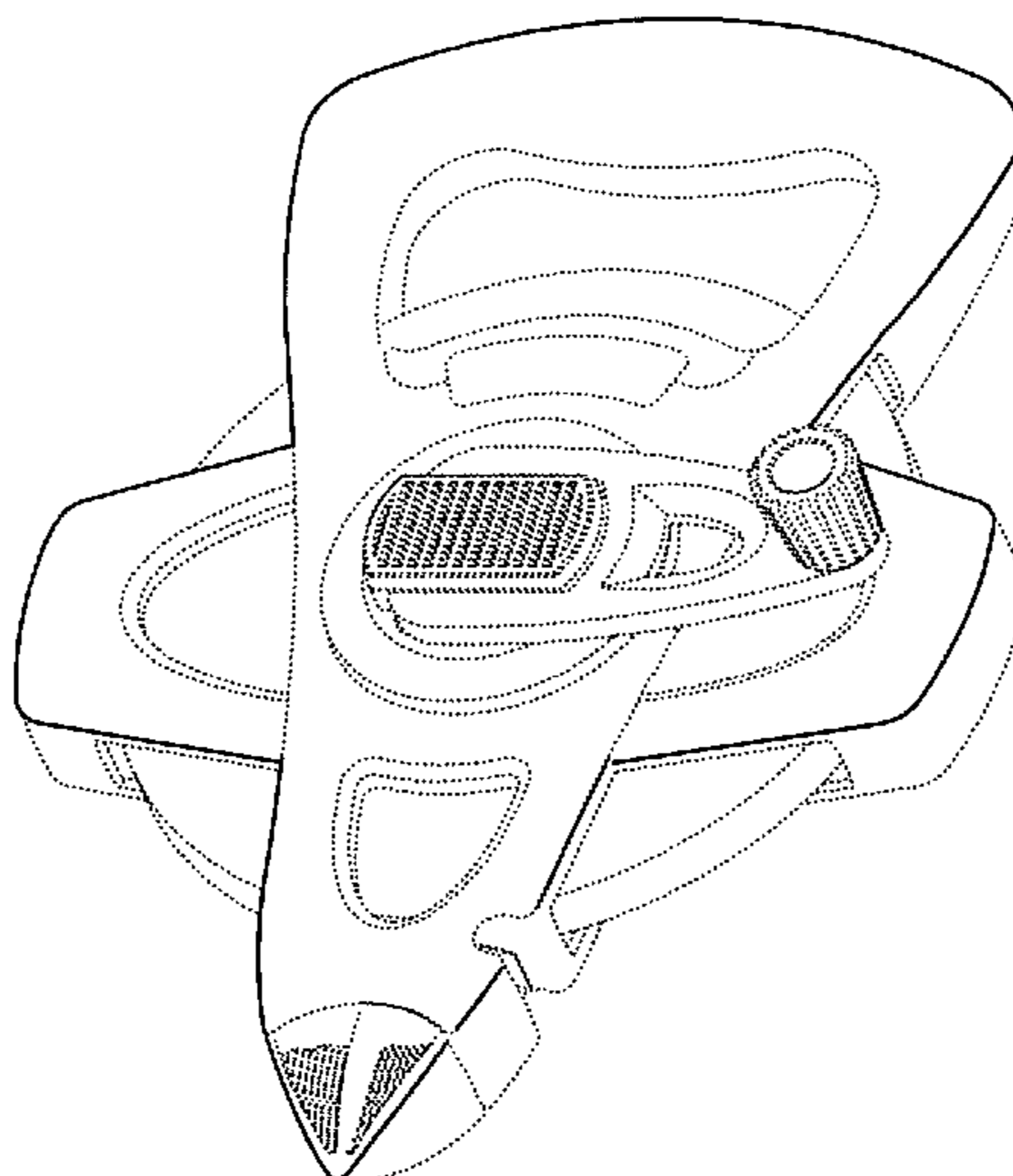
FIG. 12 is a right side view thereof;

FIG. 13 is a top view thereof; and,

FIG. 14 is a bottom view thereof.

The broken line showing of structural lines is included for the
purpose of illustrating non-claimed subject matter and forms
no part of the claimed design.

1 Claim, 9 Drawing Sheets



US D590,731 S

Page 2

U.S. PATENT DOCUMENTS

D430,047 S	8/2000	Martone et al.	6,622,396 B2	9/2003	Salazar	
D431,480 S	10/2000	Walsten et al.	D489,012 S	4/2004	Olson	
D441,671 S	5/2001	Hsu	D490,330 S	5/2004	Konen	
D453,480 S	2/2002	Stocker et al.	D524,666 S	7/2006	Huang	
D457,448 S	5/2002	Olson	D572,614 S *	7/2008	McEwan et al. D10/72
D466,423 S	12/2002	Kram	7,415,778 B1 *	8/2008	McEwan et al. 33/761
D478,292 S	8/2003	Hsu	7,434,330 B2 *	10/2008	McEwan et al. 33/770

* cited by examiner

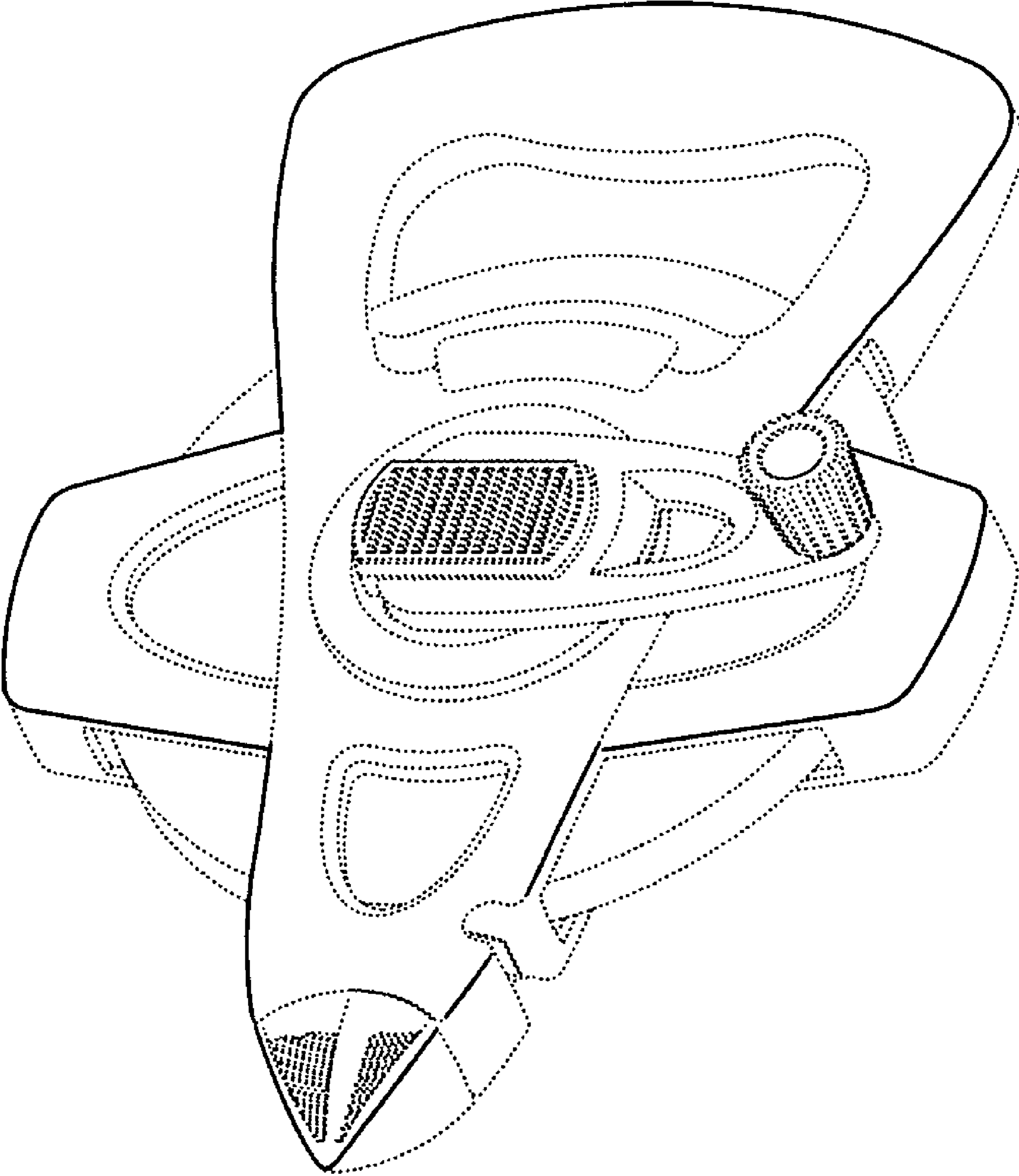


Fig. 1

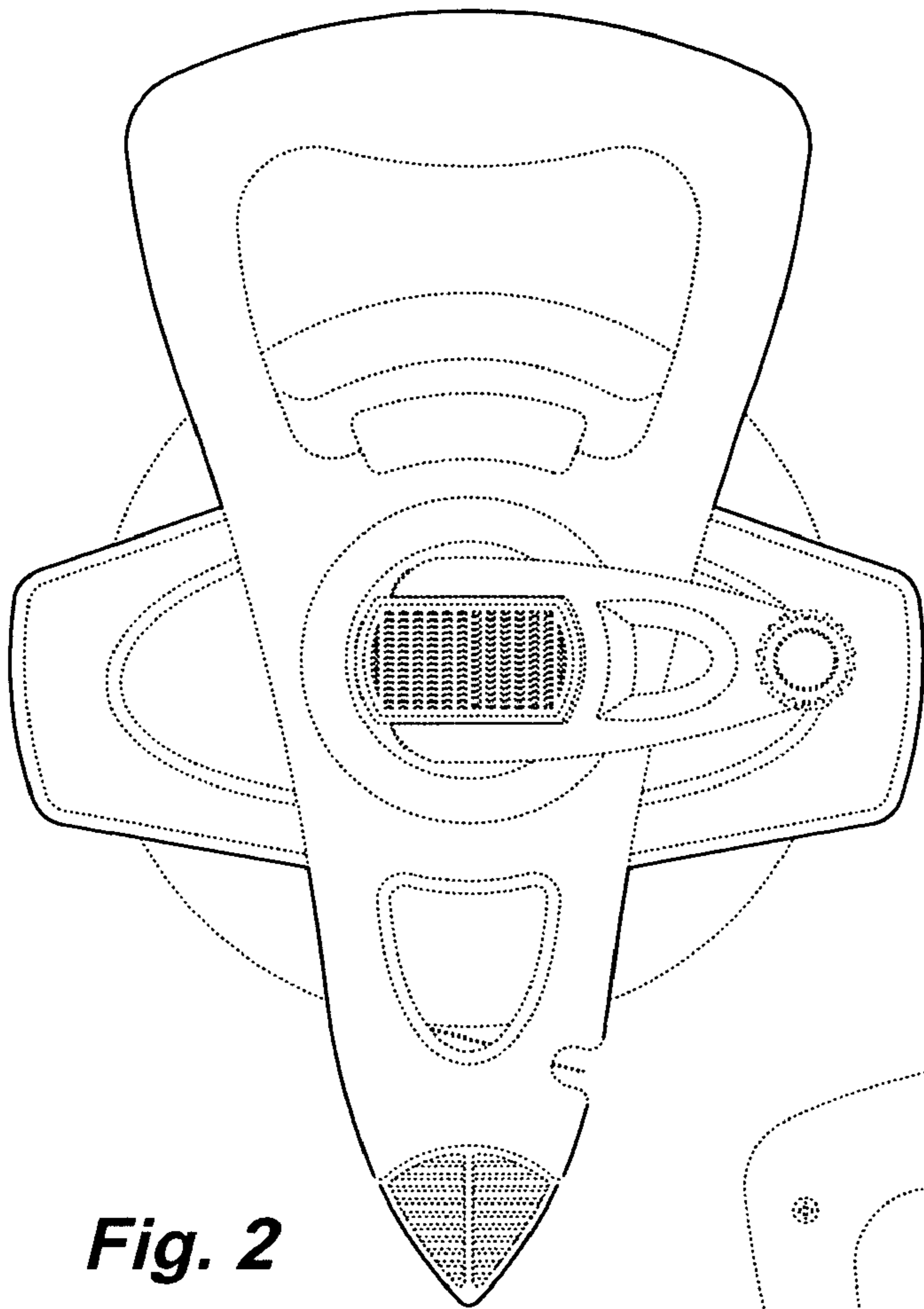


Fig. 2

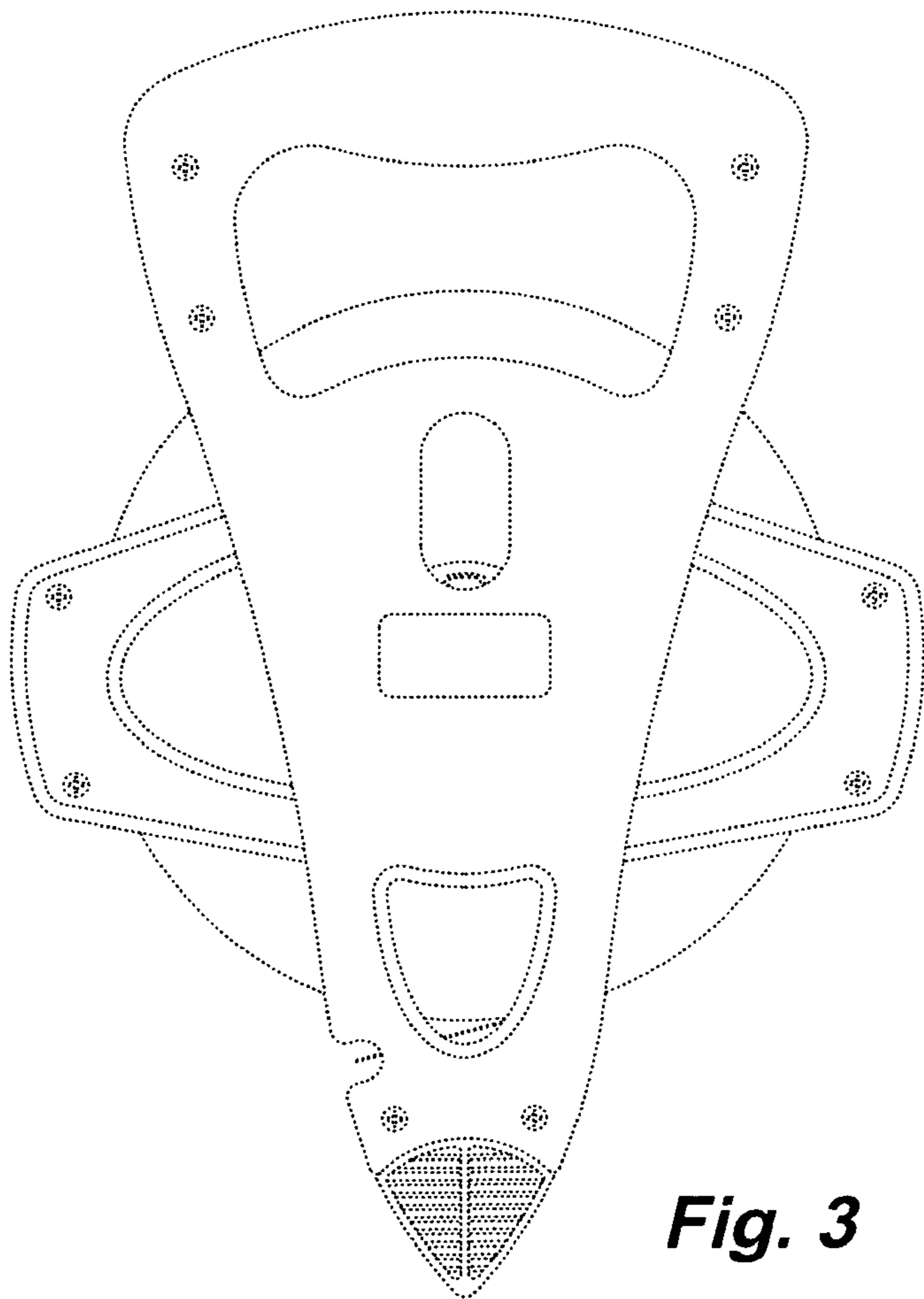


Fig. 3

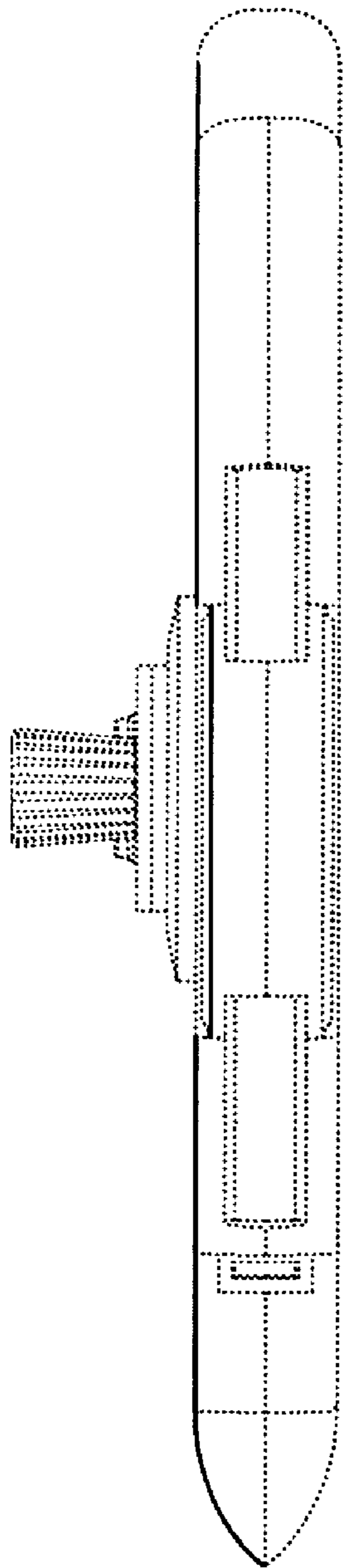


Fig. 4

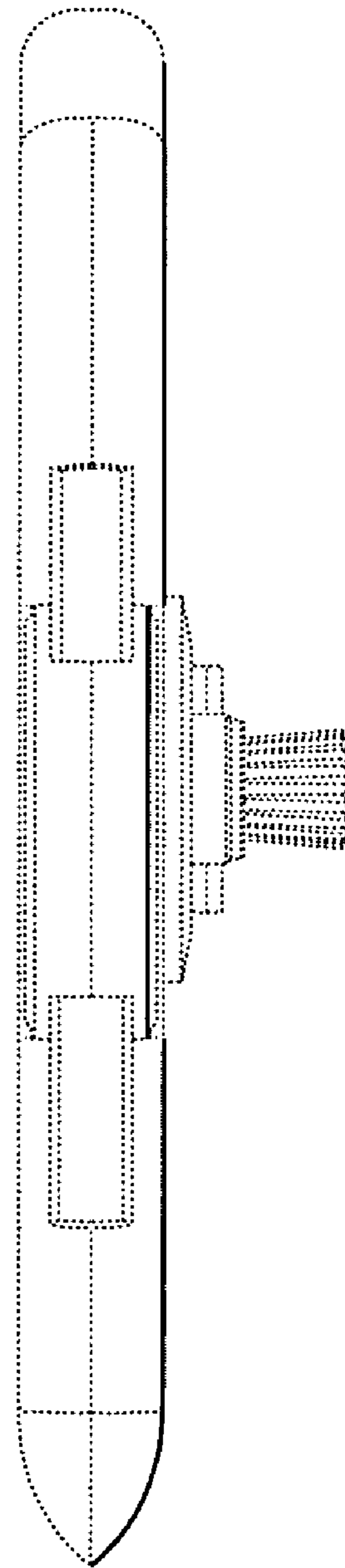


Fig. 5

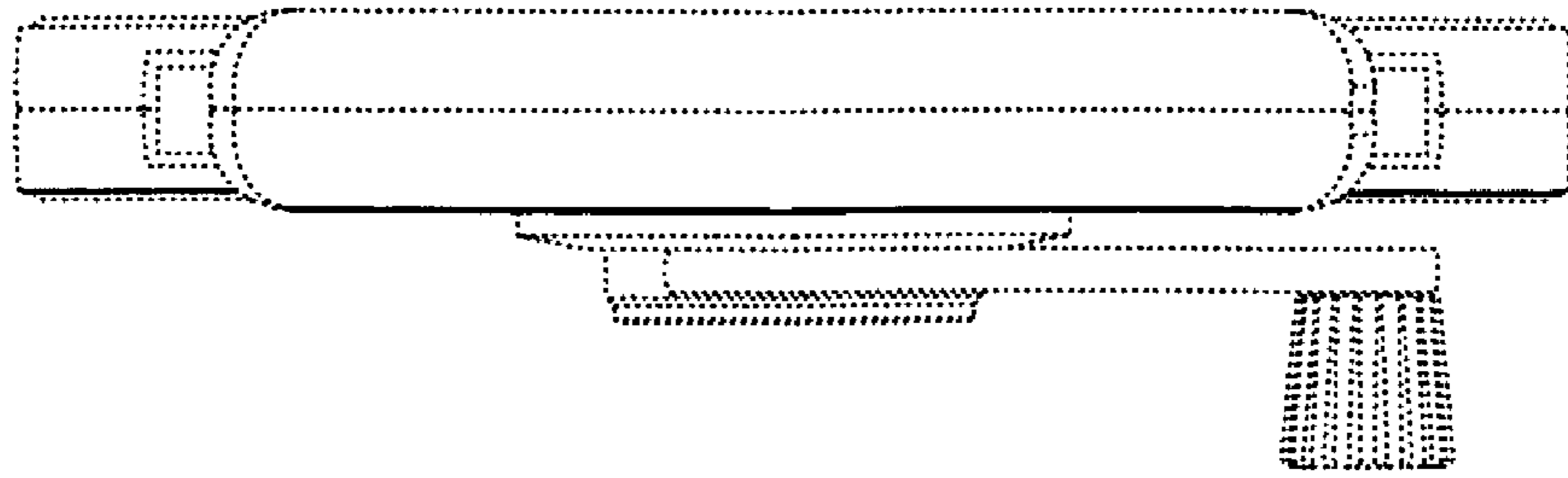


Fig. 6

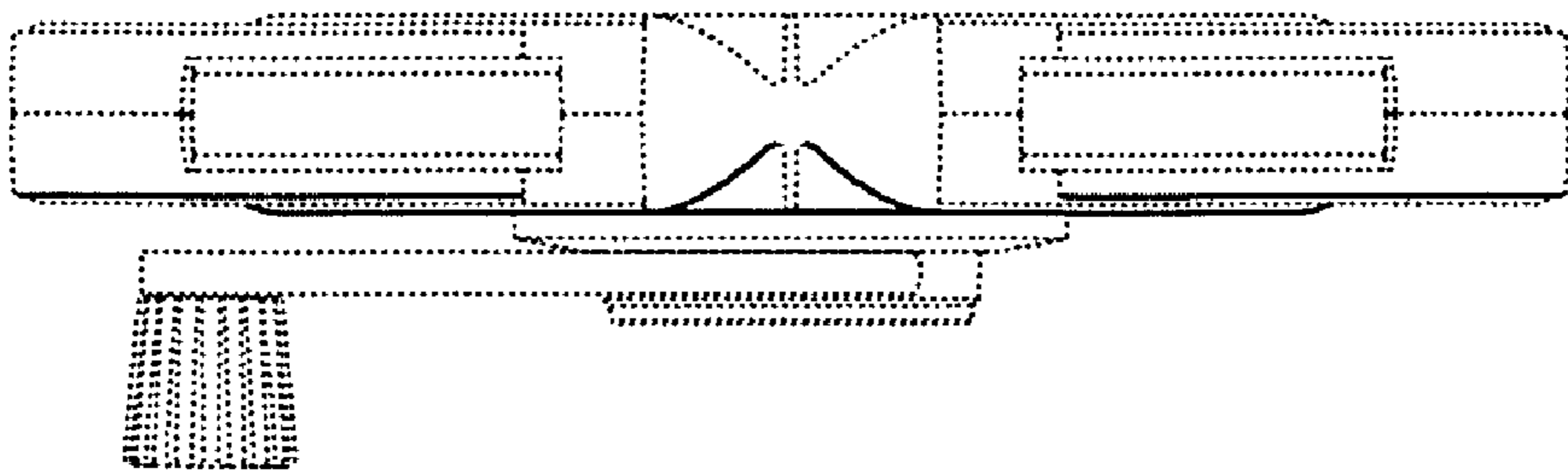


Fig. 7

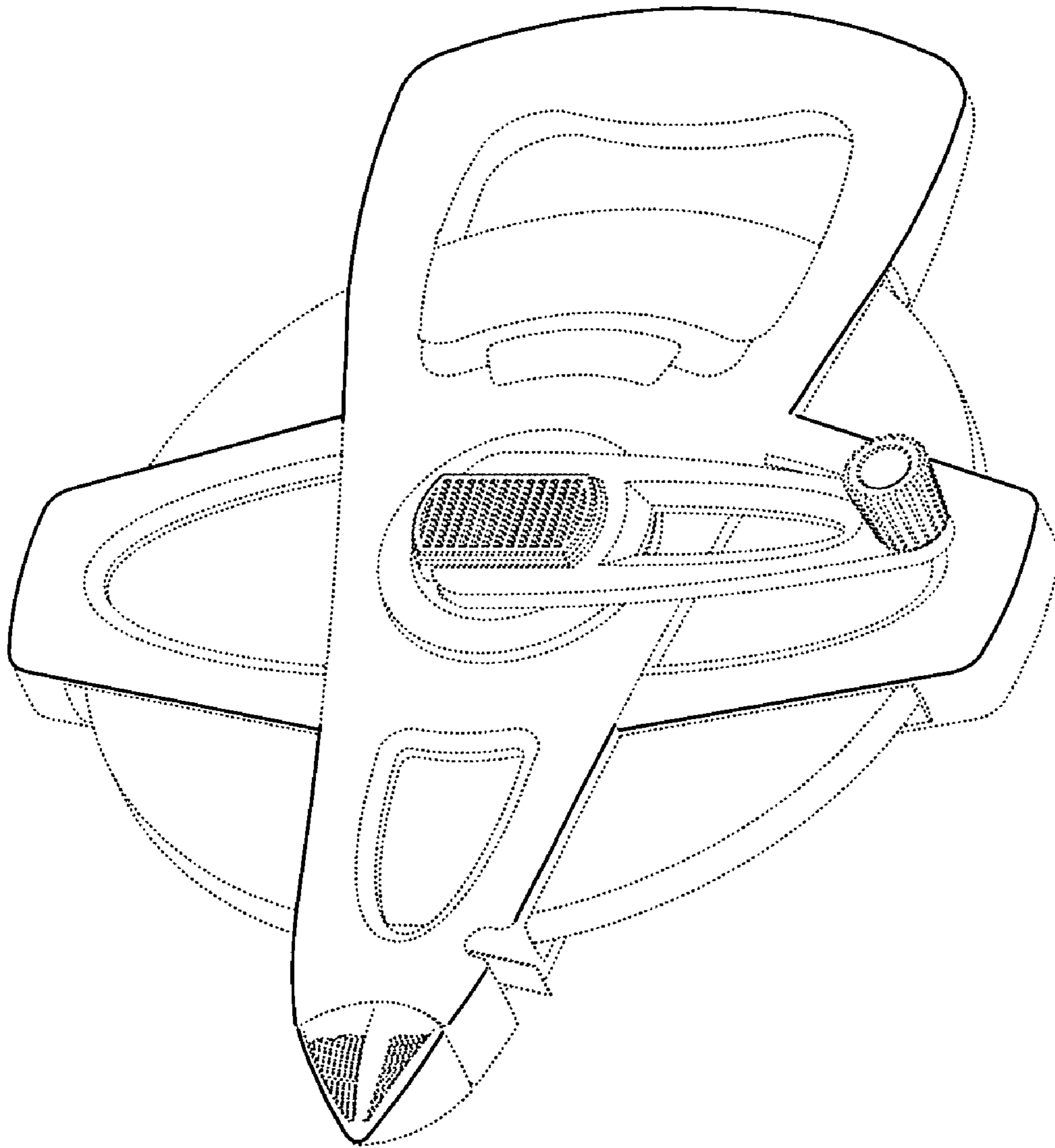


Fig. 8

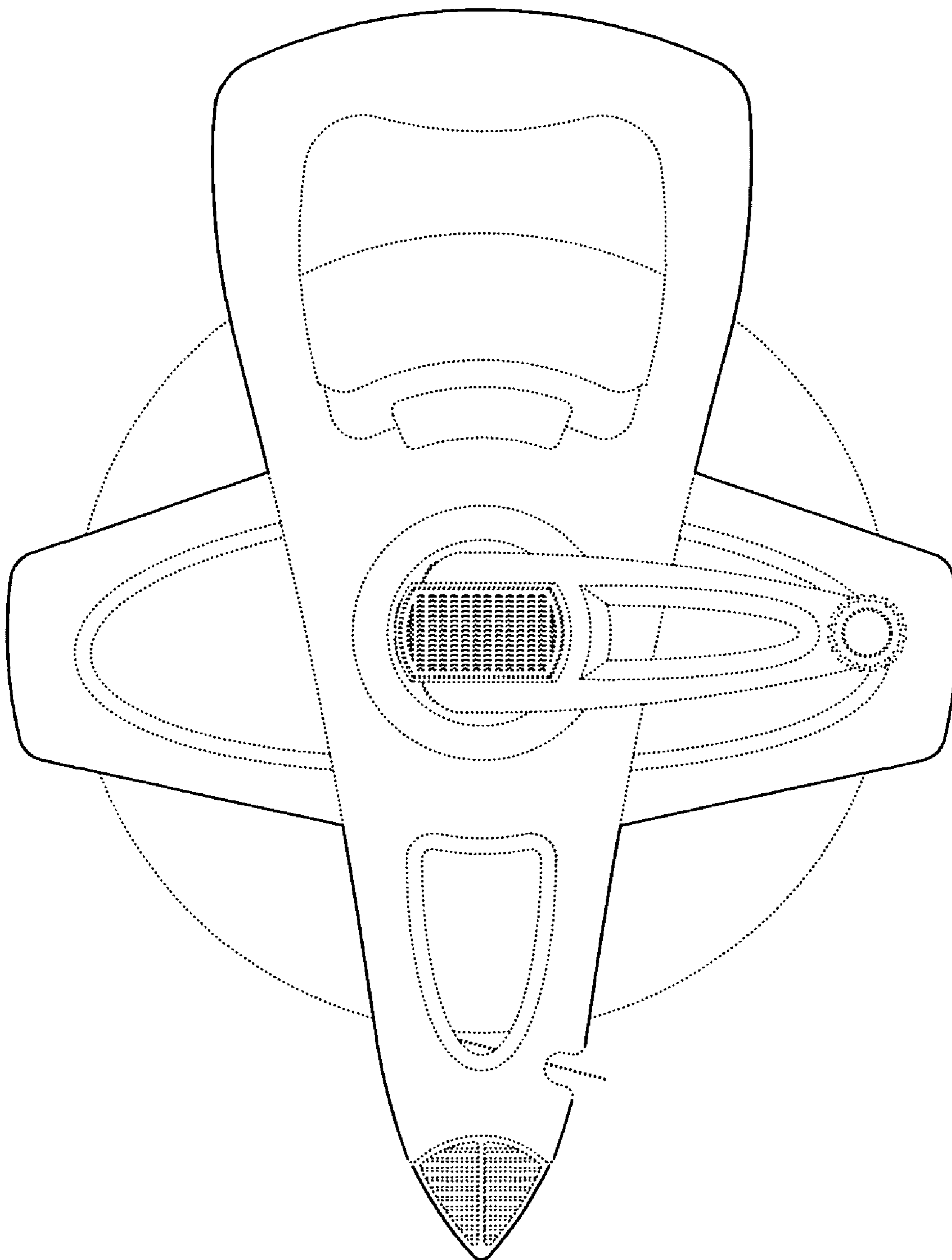


Fig. 9

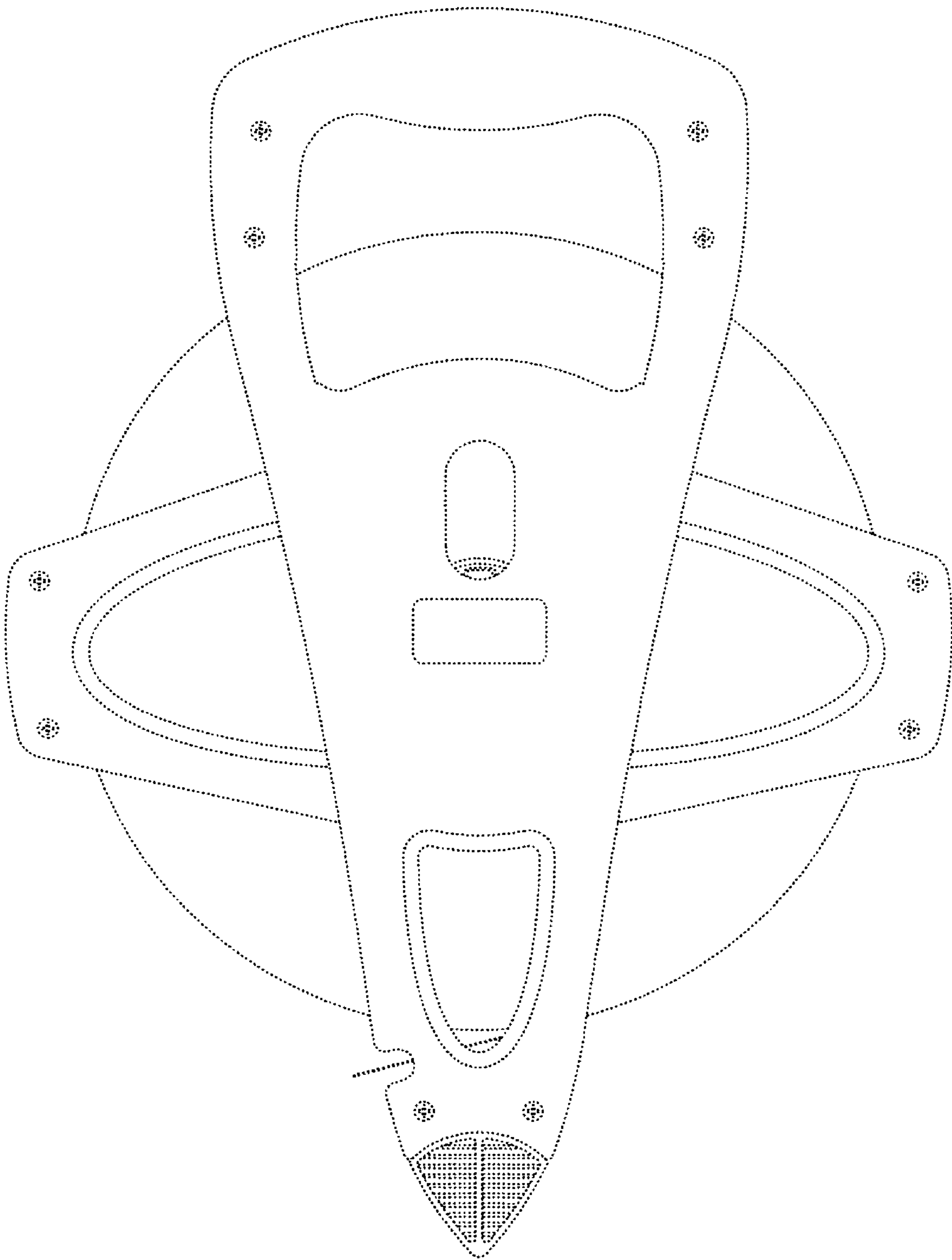


Fig. 10

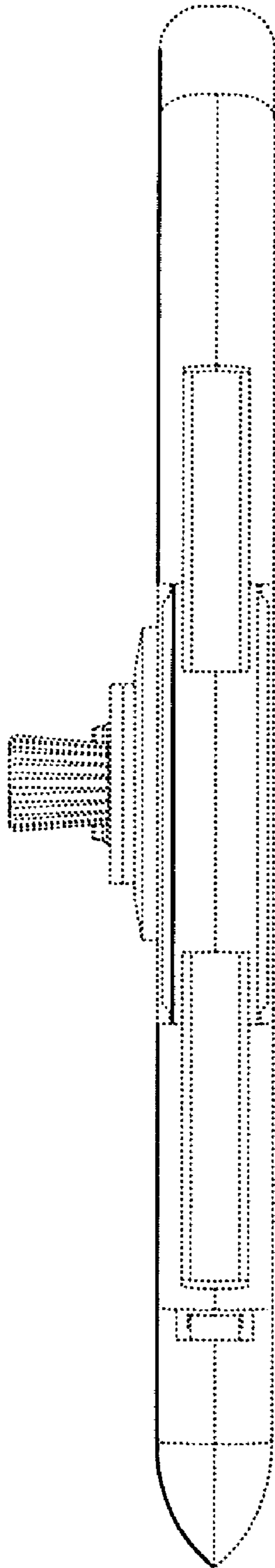


Fig. 11

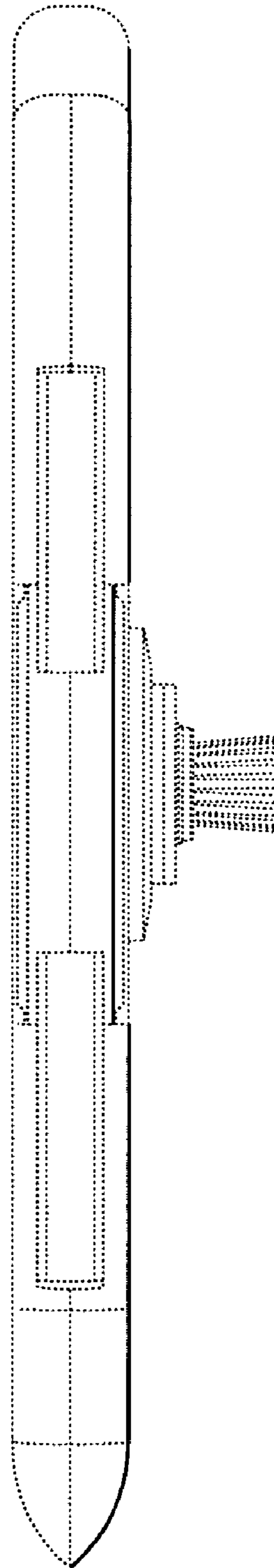


Fig. 12

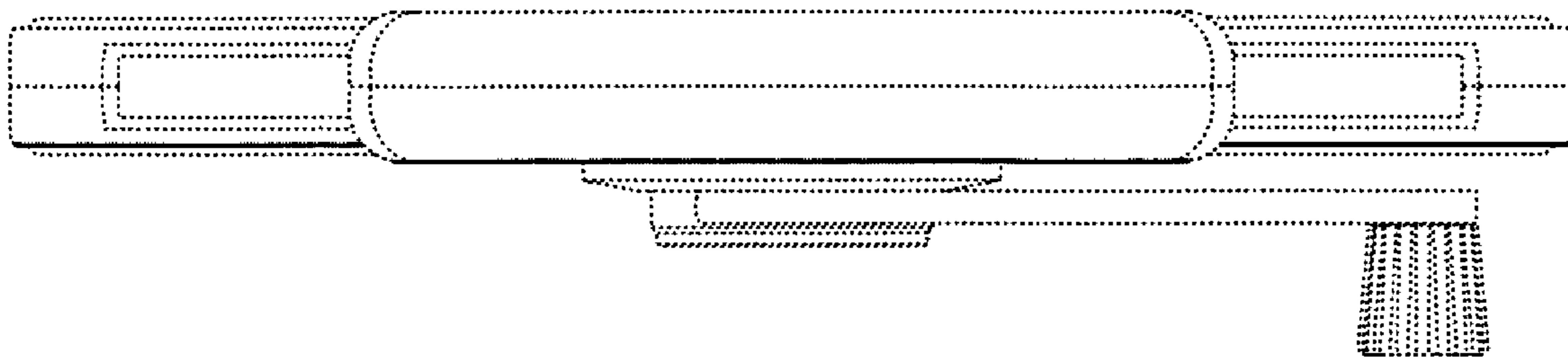


Fig. 13

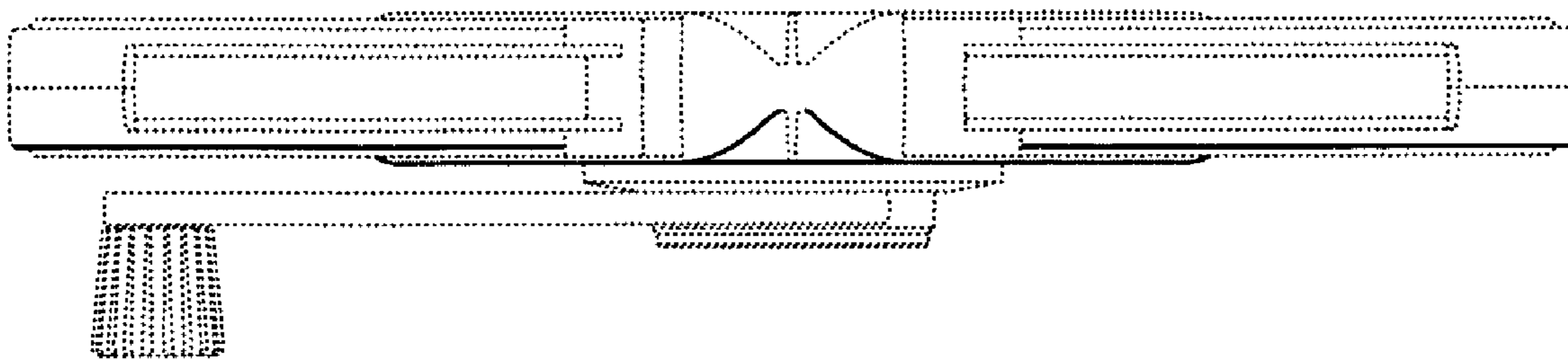


Fig. 14