

US00D590730S

(12) **United States Design Patent**
Simard et al.

(10) **Patent No.:** **US D590,730 S**
(45) **Date of Patent:** **** Apr. 21, 2009**

(54) **THERMOSTAT HOUSING**

(75) Inventors: **Pierre Simard**, St-Bruno (CA);
Stephane Beland, St-Jean-sur-Richelieu
(CA); **Eric Janelle**, Candiac (CA)

(73) Assignee: **Honeywell International Inc.**,
Morristown, NJ (US)

(**) Term: **14 Years**

(21) Appl. No.: **29/322,004**

(22) Filed: **Jul. 28, 2008**

(51) **LOC (9) Cl.** **10-04**

(52) **U.S. Cl.** **D10/50**

(58) **Field of Classification Search** D10/49-50;
236/5, 46 R-46 F, 47, 49.3, 51, 84, 94; 340/7.21-7.24,
340/7.32, 825.6, 825.72, 539.1, 539.14, 539.21,
340/539.26, 426.21, 584.589, 870.17; 374/167;
400/485; 455/420, 226.1

See application file for complete search history.

(56) **References Cited**

U.S. PATENT DOCUMENTS

D253,044 S	10/1979	Hewson
D396,812 S	8/1998	Kuipers
D418,762 S	1/2000	Dushane et al.
D469,109 S	1/2003	Andre et al.
D496,870 S	10/2004	Stekelenburg
D507,976 S	8/2005	Roher et al.
D516,925 S	3/2006	Roher et al.

D516,926 S	3/2006	Roher et al.	
D533,091 S	12/2006	Garrett et al.	
D553,022 S *	10/2007	McGuire et al.	D10/50
D556,060 S *	11/2007	McGuire et al.	D10/50
7,299,996 B2 *	11/2007	Garrett et al.	236/94
D558,073 S *	12/2007	Simon et al.	D10/50
D562,847 S	2/2008	Andre et al.	
D568,338 S	5/2008	Andre et al.	
D571,675 S *	6/2008	Skaf et al.	D10/50
D575,647 S	8/2008	Lobermeier et al.	
D580,282 S *	11/2008	Bray et al.	D10/50

* cited by examiner

Primary Examiner—Antoine D Davis

(57) **CLAIM**

The ornamental design for a thermostat housing, as shown and described.

DESCRIPTION

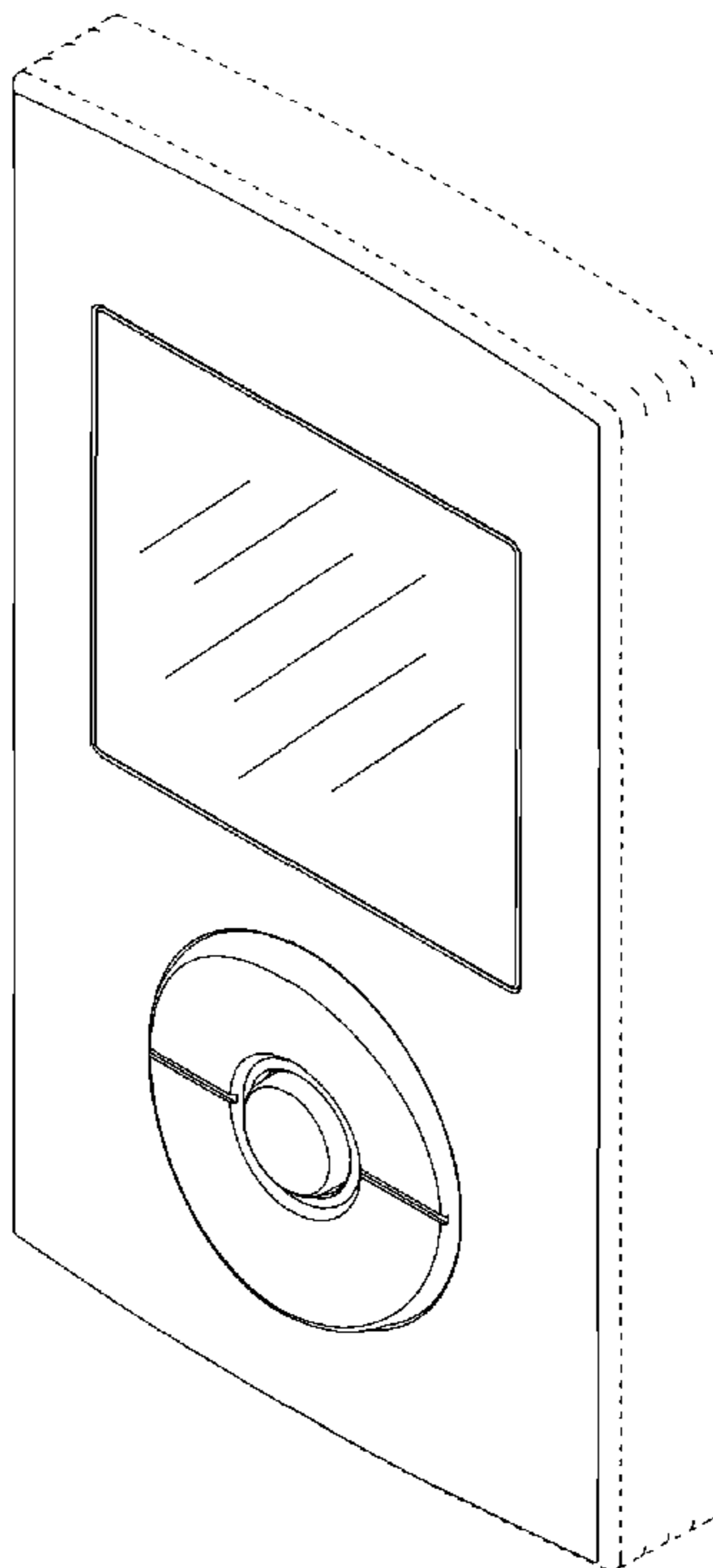
FIG. 1 is a perspective view of an illustrative thermostat housing;

FIG. 2 is a front elevation view of the thermostat housing of FIG. 1; and,

FIGS. 3-6 are left, right, top and bottom views of the thermostat housing of FIG. 1.

The portions illustrated in broken lines on the figures are for illustrative purposes only and form no part of the claimed design.

1 Claim, 6 Drawing Sheets



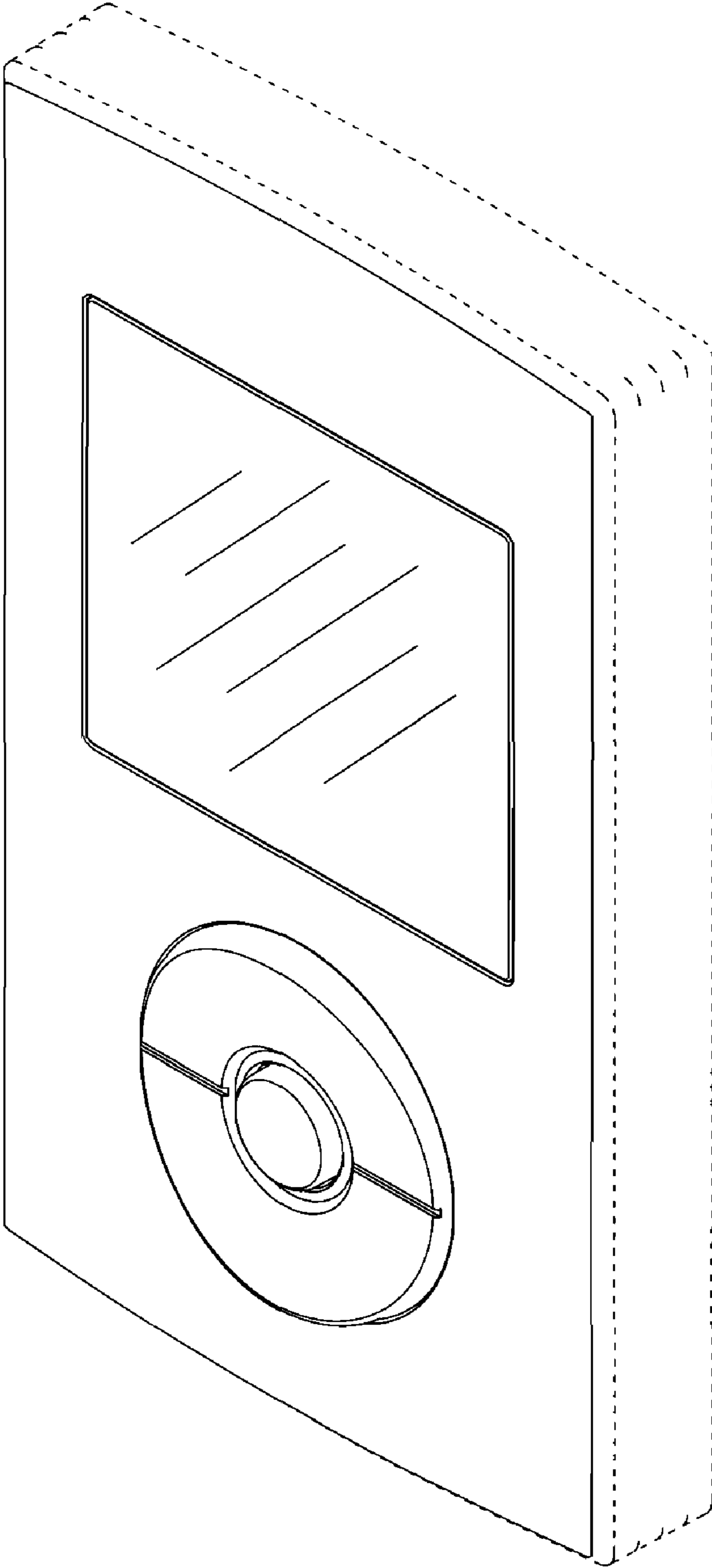


Figure 1

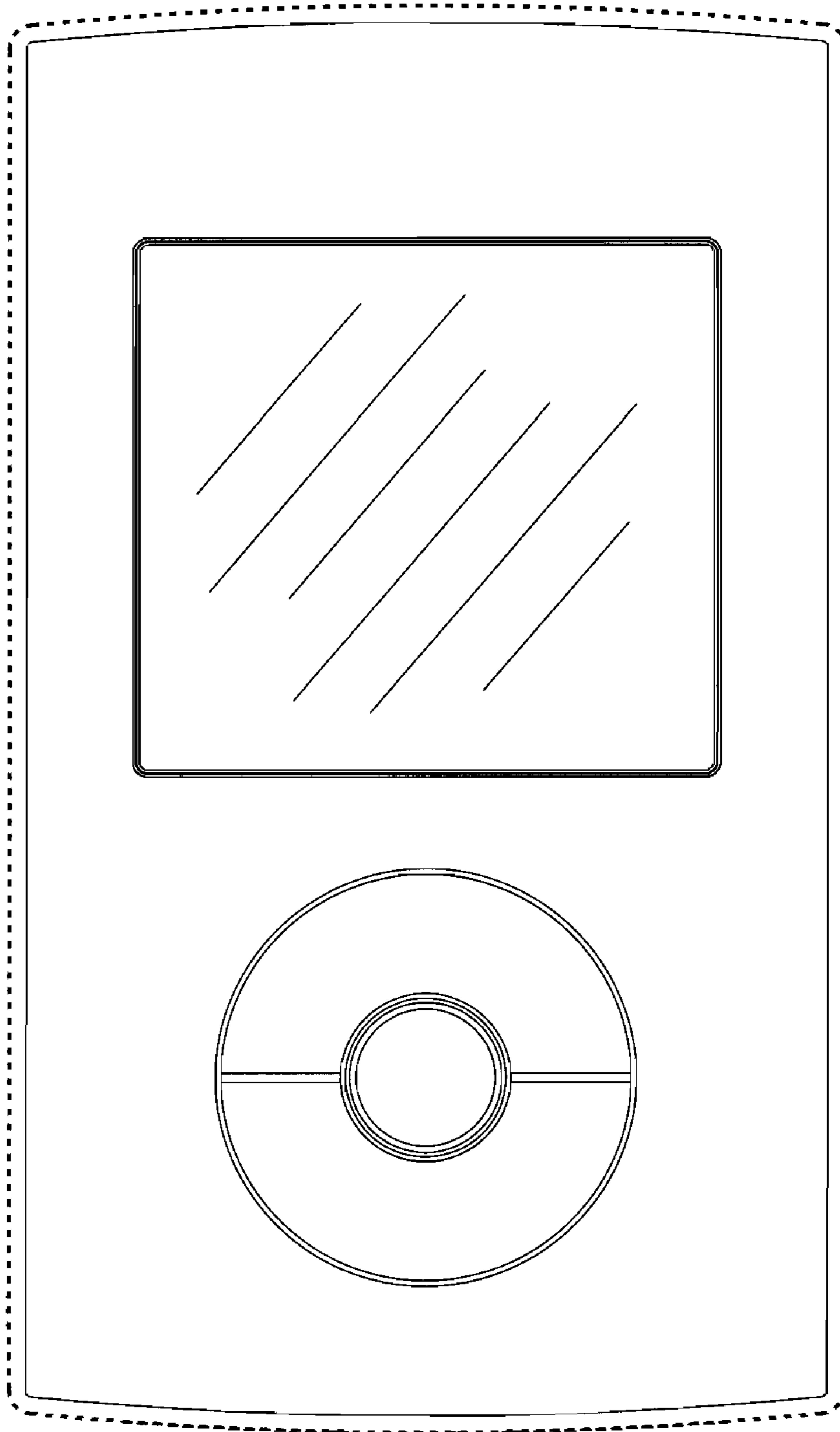


Figure 2

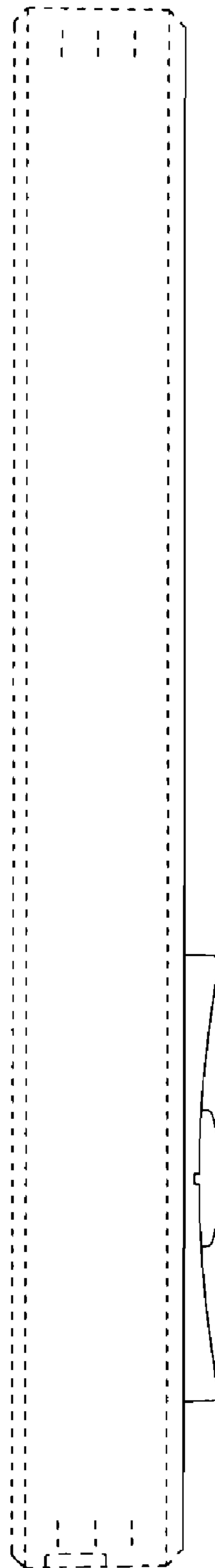


Figure 3

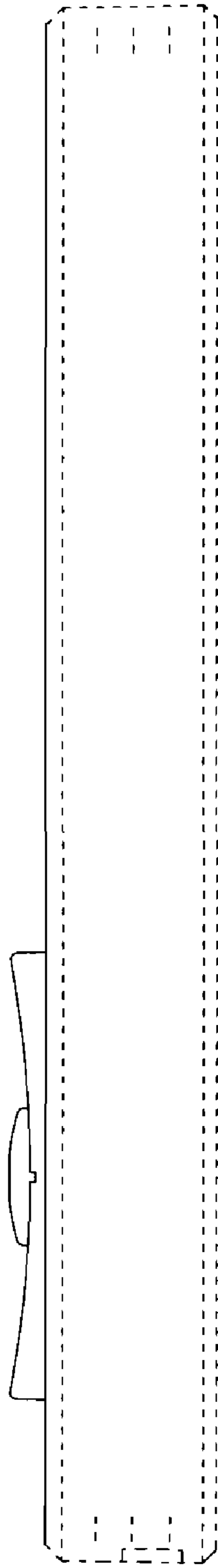


Figure 4



Figure 5

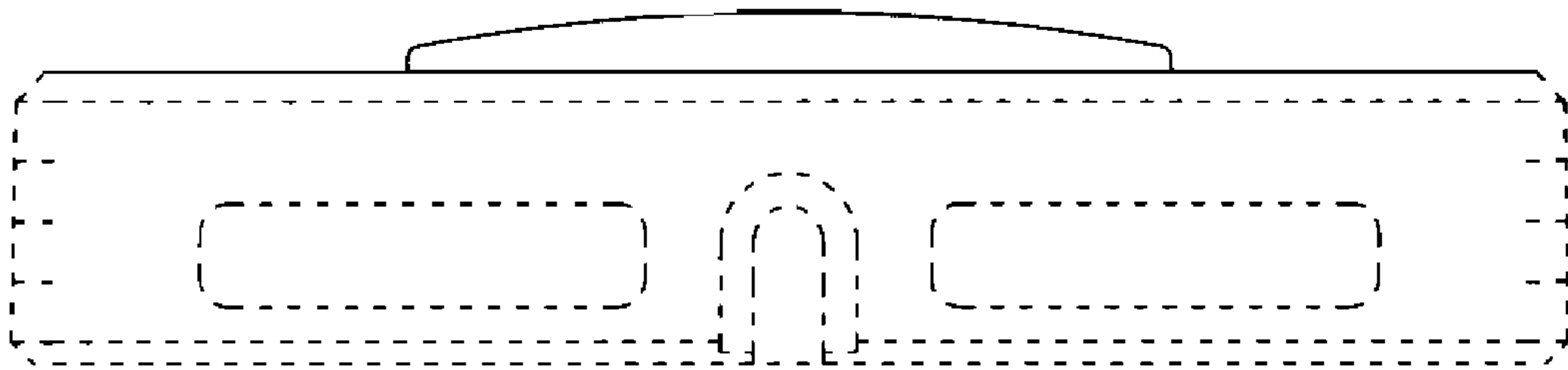


Figure 6