



US00D590728S

(12) **United States Design Patent**
Moritz

(10) **Patent No.:** **US D590,728 S**

(45) **Date of Patent:** **** Apr. 21, 2009**

(54) **WATCH CASE**

(75) **Inventor:** **Hans Karsten Moritz**, Foothill Ranch,
CA (US)

(73) **Assignee:** **Oakley, Inc.**, Foothill Ranch, CA (US)

(**) **Term:** **14 Years**

(21) **Appl. No.:** **29/294,102**

(22) **Filed:** **Dec. 21, 2007**

(51) **LOC (9) Cl.** **10-02**

(52) **U.S. Cl.** **D10/38**

(58) **Field of Classification Search** D10/30-39,
D10/122-132; 368/276, 281, 282, 285, 294,
368/295, 308, 288

See application file for complete search history.

(56) **References Cited**

U.S. PATENT DOCUMENTS

D266,058 S *	9/1982	Kanoui	D10/39
D284,949 S *	8/1986	Kong	D10/128
D287,470 S *	12/1986	Houlihan	D10/30
D309,865 S *	8/1990	Woomer	D10/39
D315,516 S *	3/1991	Beeson	D10/32
D319,027 S *	8/1991	Burgener	D10/39
D325,528 S *	4/1992	Schneider	D10/32
D329,611 S *	9/1992	Burgener	D10/30
D332,054 S *	12/1992	Pitteloud	D10/32
D332,055 S *	12/1992	Gander	D10/39
D339,533 S *	9/1993	Frappe	D10/39
D346,118 S *	4/1994	Charriol	D10/30
D346,975 S	5/1994	Houlihan		
D353,544 S *	12/1994	Reich	D10/32
D361,527 S *	8/1995	Hayashi et al.	D10/39
D364,820 S	12/1995	Sakai et al.		
D364,821 S	12/1995	Sakai et al.		
D378,355 S *	3/1997	Charriol	D10/30
D379,318 S *	5/1997	Lai	D10/128
D379,319 S *	5/1997	Lai	D10/128
D379,768 S *	6/1997	Osit	D10/30
D380,690 S *	7/1997	Riley	D10/30

D380,698 S *	7/1997	Paredes	D10/128
D382,495 S *	8/1997	Chun	D10/32
D384,295 S *	9/1997	Riley	D10/30
D385,803 S *	11/1997	Hysek	D10/30
D388,334 S	12/1997	Baumann		
D392,903 S	3/1998	Yerby et al.		
D396,194 S *	7/1998	Bruce	D10/31
D396,654 S *	8/1998	Pitteloud	D10/39
D410,853 S	6/1999	Bulgari		
D415,434 S	10/1999	Matsuda		
D564,909 S *	3/2008	Kume	D10/38

OTHER PUBLICATIONS

Tag Heuer, "Formula 1" watch model, unknown publication date, printed from <http://www.tagheuer.com/the-collection/tag-heuer-formular-1/men/quartz-chronograph/index.lbl?w=CAH1113>. BA0850, on Feb. 15, 2008.

* cited by examiner

Primary Examiner—Lucy Lieberman

(74) *Attorney, Agent, or Firm*—Gregory K. Nelson

(57) **CLAIM**

The ornamental design for a watch case, as shown and described.

DESCRIPTION

FIG. 1 is a front perspective view of the watch case of the present invention;

FIG. 2 is a front elevational view thereof;

FIG. 3 is a rear elevational view thereof;

FIG. 4 is a left-side elevational view thereof;

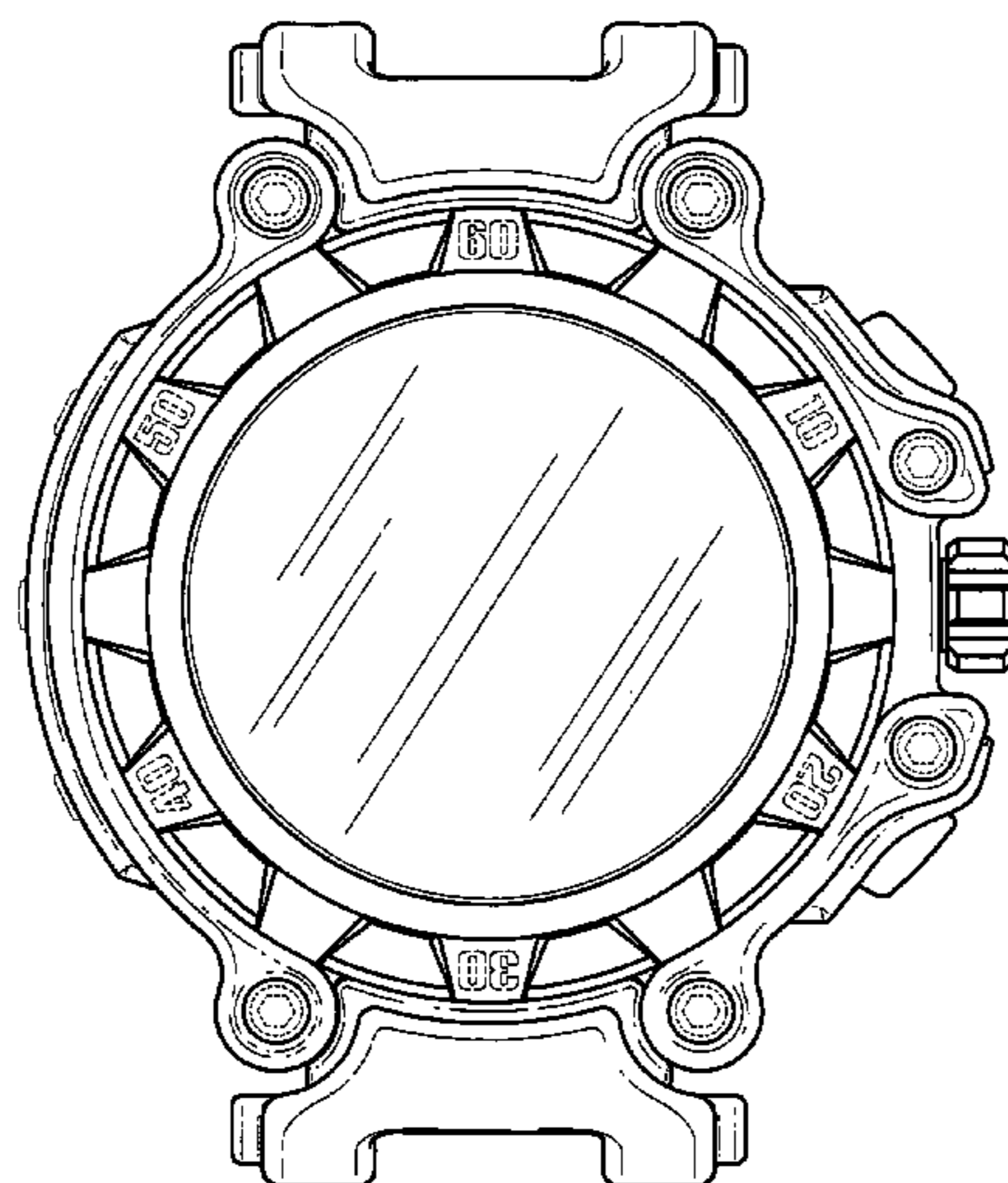
FIG. 5 is a right-side elevational view thereof;

FIG. 6 is a top plan view thereof; and,

FIG. 7 is a bottom plan view thereof.

Phantom lining, where utilized, is for illustrative purposes only and is not intended to limit the claimed design to the features shown in phantom.

1 Claim, 5 Drawing Sheets



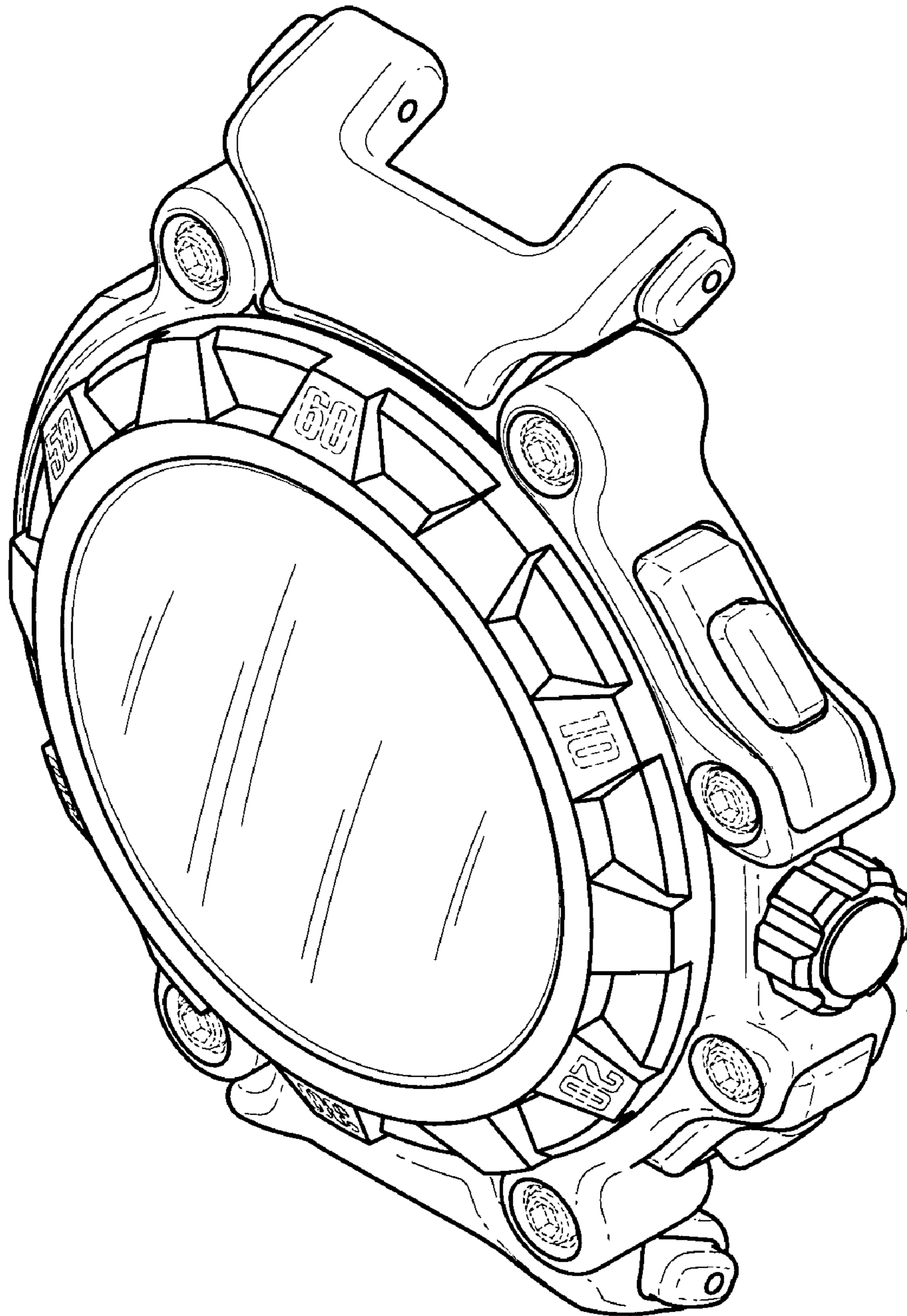


FIG. 1

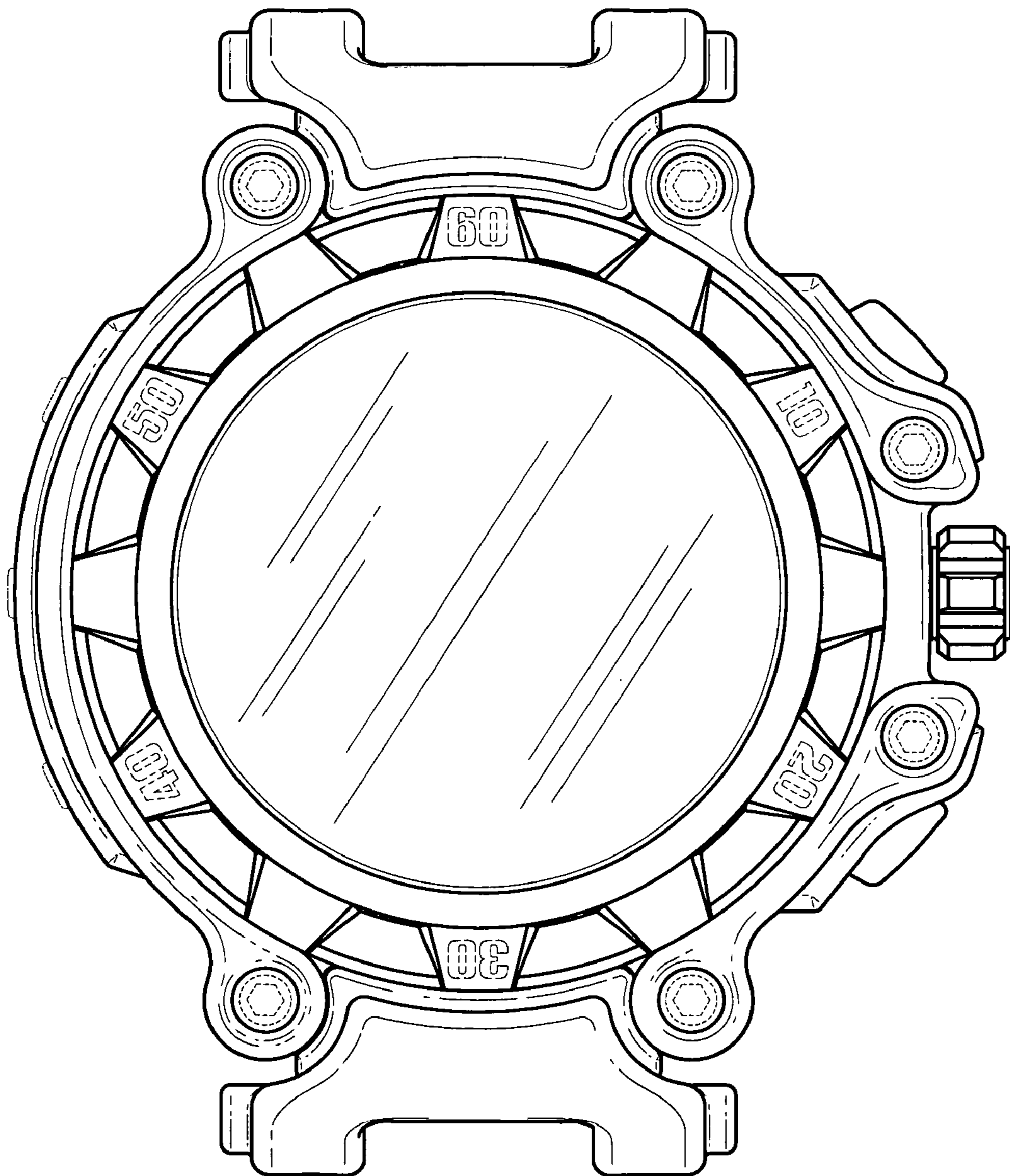


FIG. 2

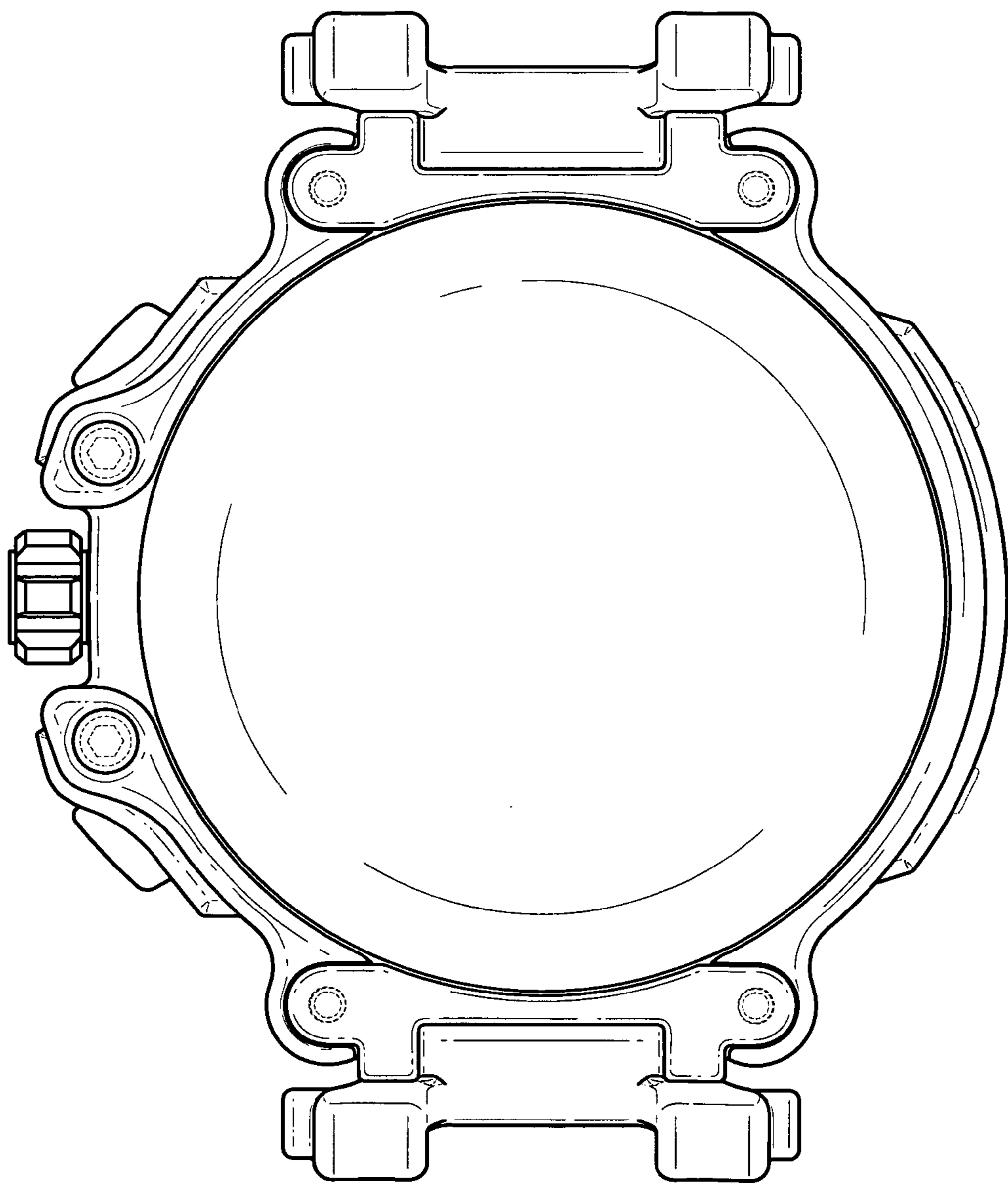


FIG. 3

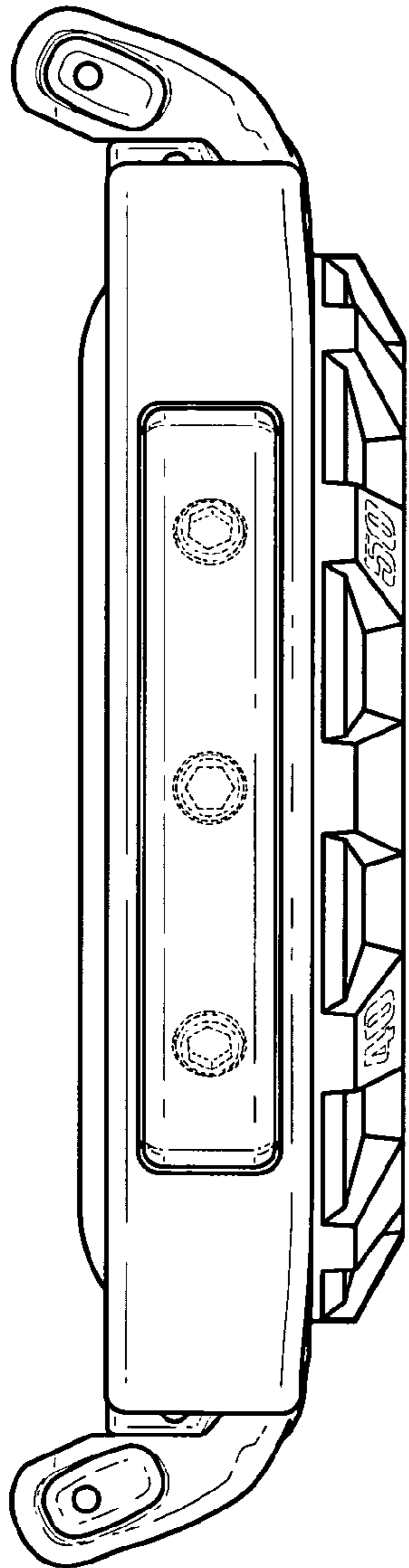


FIG. 4

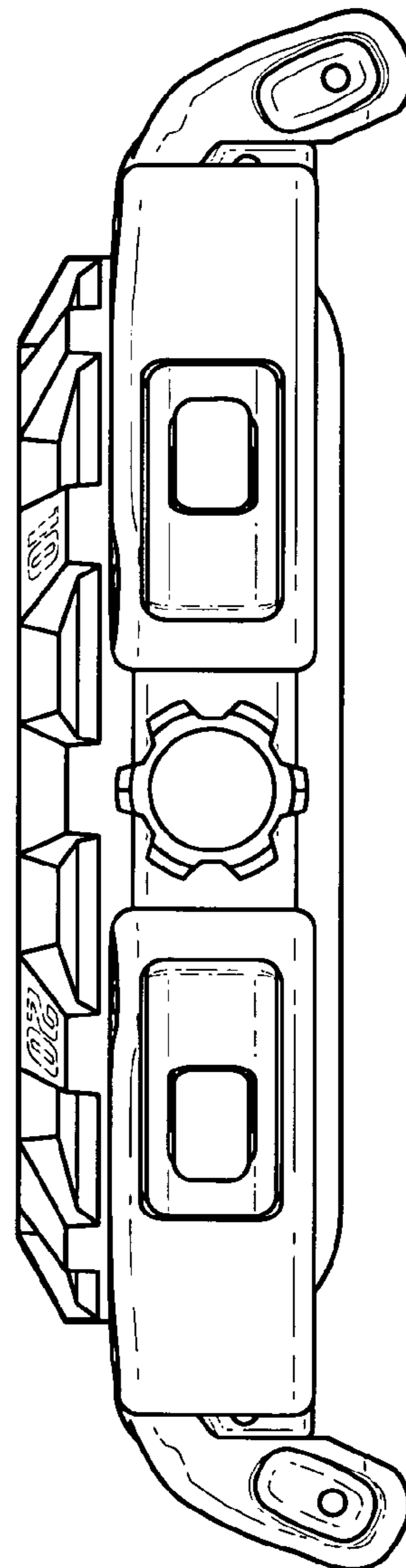


FIG. 5

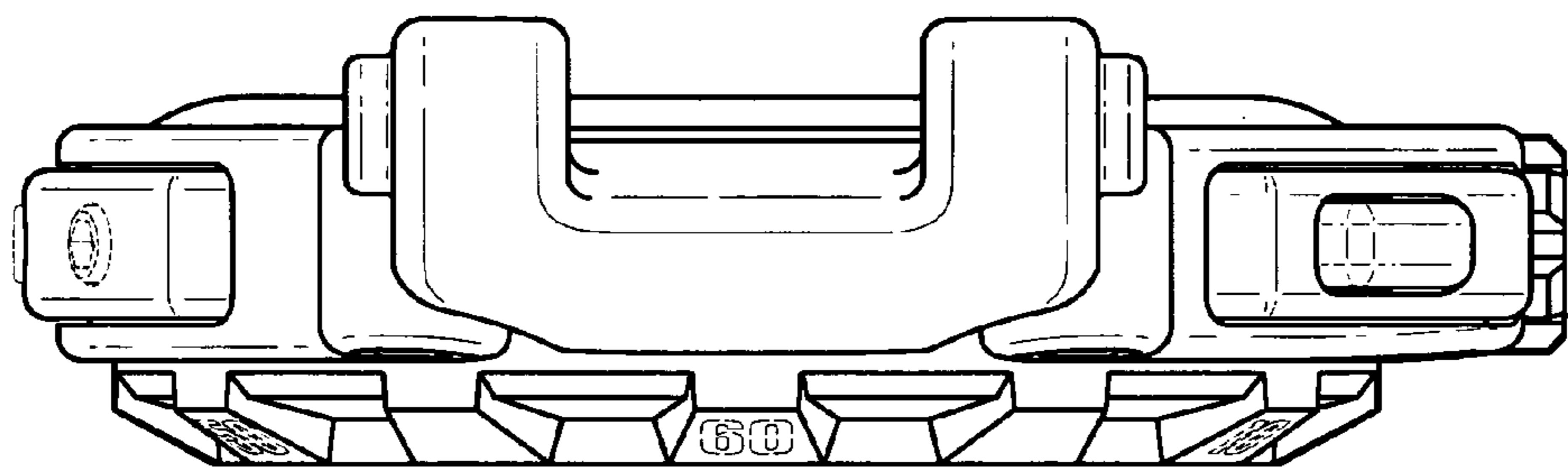


FIG. 6

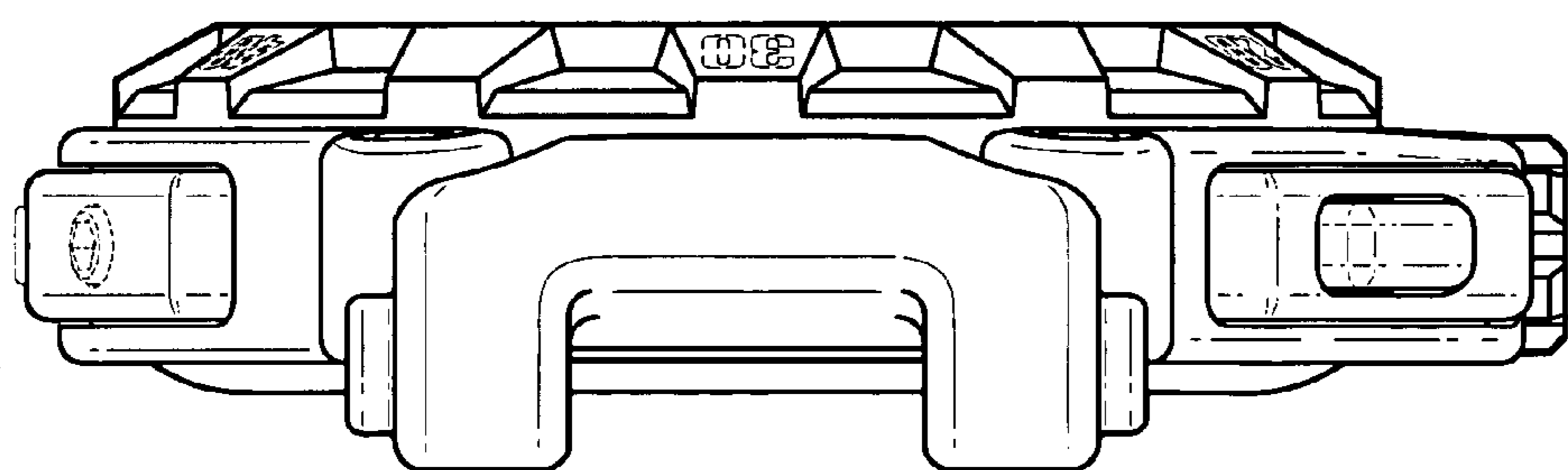


FIG. 7