

US00D590725S

(12) **United States Design Patent**
Kim

(10) **Patent No.:** **US D590,725 S**
(45) **Date of Patent:** **** Apr. 21, 2009**

(54) **SHIRT AND TIE ARRANGED IN A BOX**

(75) Inventor: **Cin Kim**, Alpine, NJ (US)

(73) Assignee: **Peacock Apparel Group, Inc.**, New York, NY (US)

(**) Term: **14 Years**

(21) Appl. No.: **29/326,116**

(22) Filed: **Oct. 13, 2008**

(51) **LOC (9) Cl.** **09-03**

(52) **U.S. Cl.** **D9/721**

(58) **Field of Classification Search** D9/414,
D9/415, 418, 423, 430, 432, 434, 456, 457,
D9/715, 721, 722, 737; D2/500-502, 600,
D2/602, 605-607, 609, 728, 828-830, 840-842,
D2/847, 849, 853, 854; D3/272; D6/300;
2/66, 77, 102, 115, 137-139, 144, 145, 148,
2/151, 154; 206/242, 275, 299, 554, 769;
223/83, 84; 229/87.15, 122, 125.08, 136,
229/160-162, 240, 275

See application file for complete search history.

(56) **References Cited**

U.S. PATENT DOCUMENTS

698,266 A	4/1902	Elliott	
1,862,353 A	6/1932	Allison	
2,063,255 A	12/1936	Madsen et al.	
2,233,207 A	2/1941	Gillam	
3,043,494 A	7/1962	Moore	
3,066,792 A	12/1962	Spilman	
3,346,881 A	10/1967	Mathison	
3,363,264 A	1/1968	Mathison	
3,511,364 A	5/1970	Airido	
3,670,881 A	6/1972	Dutcher	
4,046,253 A	9/1977	Weaver	
4,173,792 A	11/1979	Intengan	
4,182,224 A	1/1980	Dutcher	
D261,479 S	10/1981	Marks	
D276,964 S *	1/1985	Boland, II	D6/470
4,762,272 A	8/1988	Herrin	
4,856,709 A	8/1989	Axelsson et al.	

4,933,991 A	6/1990	Love	
D343,356 S	1/1994	Wittman	
D346,960 S	5/1994	Bennett	
5,316,139 A	5/1994	Judd et al.	
D349,181 S	8/1994	Cheng	
5,499,484 A	3/1996	Herrin	
D368,588 S	4/1996	Goraleski et al.	
5,549,243 A	8/1996	Dorier et al.	
5,673,434 A	10/1997	Risk	
D390,339 S	2/1998	Dipietro	
D392,112 S *	3/1998	Cynkar et al.	D6/314
D394,959 S *	6/1998	Kwan	D6/314
6,041,998 A	3/2000	Goldberg et al.	
6,142,365 A	11/2000	Breitbach	

(Continued)

Primary Examiner—Stella M Reid
Assistant Examiner—Shanda C Hill
(74) *Attorney, Agent, or Firm*—Leason Ellis LLP

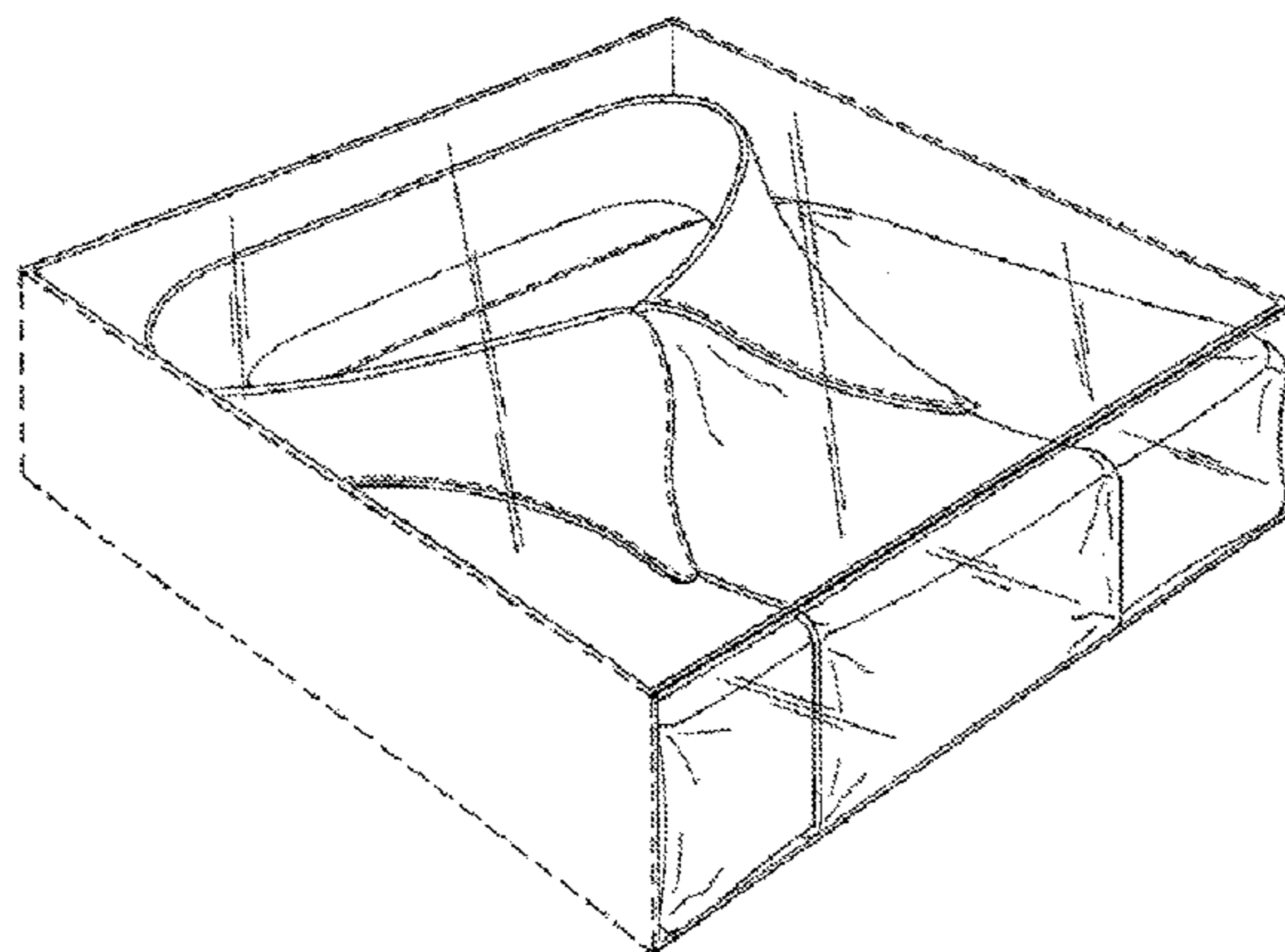
(57) **CLAIM**

The ornamental design for a shirt and tie arranged in a box, as shown and described.

DESCRIPTION

FIG. 1 is a top, front and side perspective view of a shirt and tie arranged in a box showing my new design;
FIG. 2 is a front elevation view thereof;
FIG. 3 is a left side elevation view thereof, the right side view being a mirror image thereof;
FIG. 4 is a rear elevation view thereof;
FIG. 5 is a top plan view thereof; and,
FIG. 6 is a bottom plan thereof.
The broken lines shown in the drawing disclosure are for illustrative purposes only and form no part of the claimed design. The dashed lines shown on the shirt are meant to represent stitching.

1 Claim, 3 Drawing Sheets



US D590,725 S

Page 2

U.S. PATENT DOCUMENTS

D458,064 S *	6/2002	List et al.	D6/509	D565,966 S	4/2008	Kim	
D458,483 S *	6/2002	List et al.	D6/509	D574,722 S	8/2008	Kim	
6,460,189 B1	10/2002	Welch		D574,723 S	8/2008	Kim	
D468,941 S *	1/2003	List et al.	D6/509	D574,724 S	8/2008	Kim	
D490,977 S *	6/2004	Freeman	D3/273	D574,725 S	8/2008	Kim	
D492,595 S	7/2004	Chang		D574,726 S	8/2008	Kim	
7,096,509 B2	8/2006	Kim		D574,727 S	8/2008	Kim	
7,114,220 B2	10/2006	Kim		D574,728 S	8/2008	Kim	
D546,674 S	7/2007	Limber		D574,729 S	8/2008	Kim	
D553,495 S	10/2007	Vandecasteele et al.		D574,730 S	8/2008	Kim	
7,310,857 B2	12/2007	Kim		D581,681 S *	12/2008	Goolrick	D6/314
D565,965 S	4/2008	Kim		2007/0062846 A1	3/2007	Kim	

* cited by examiner

FIG. 1

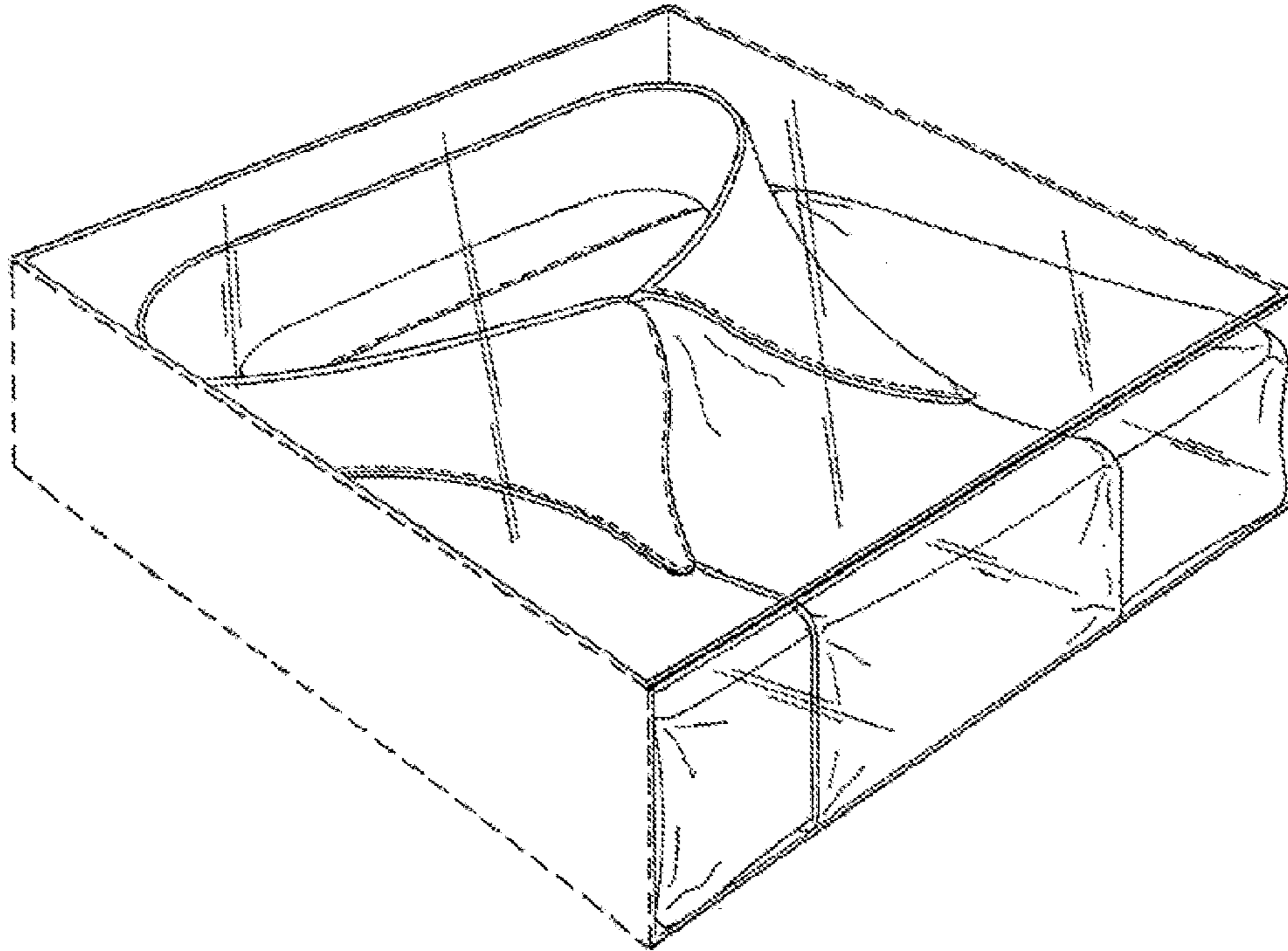


FIG. 2

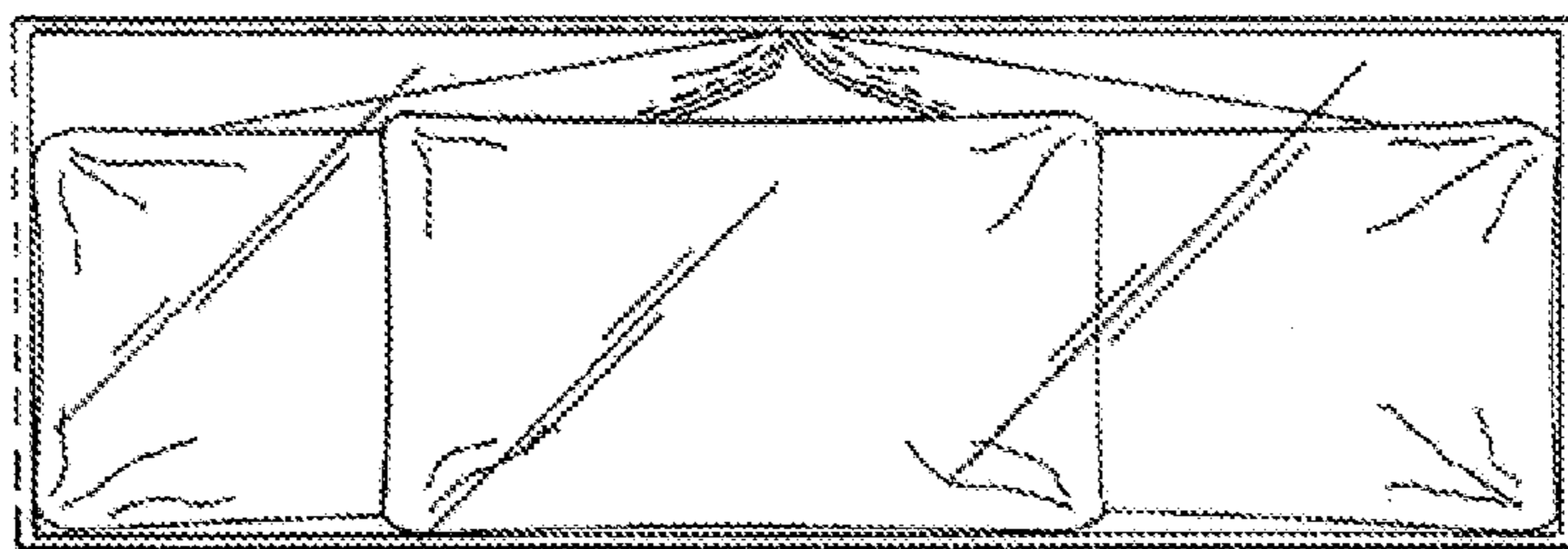


FIG. 3

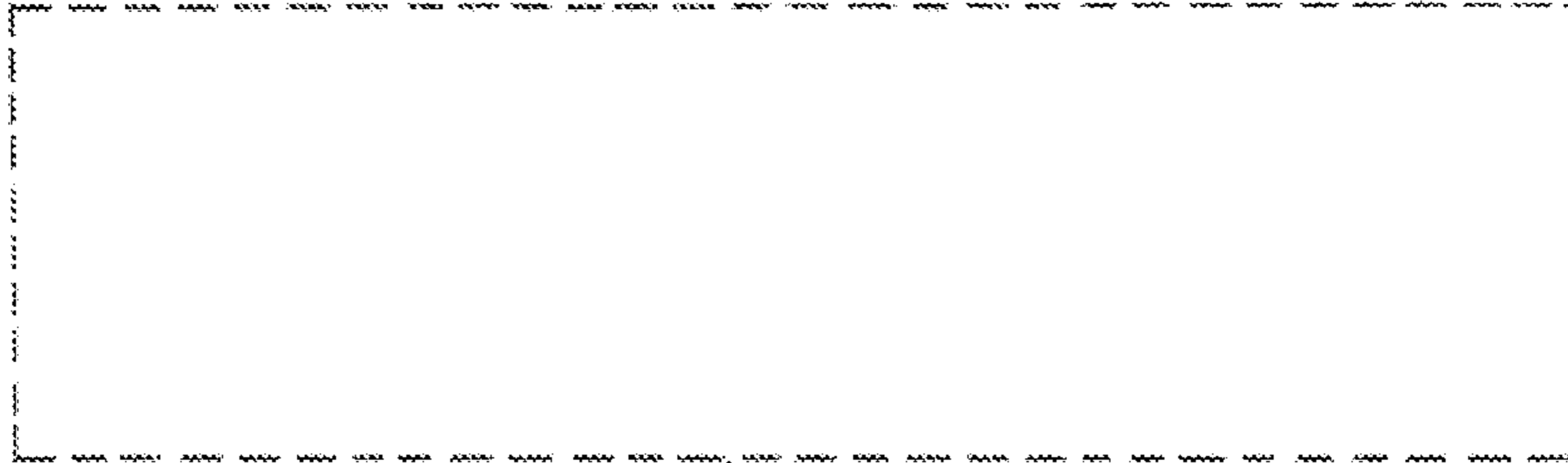


FIG. 5

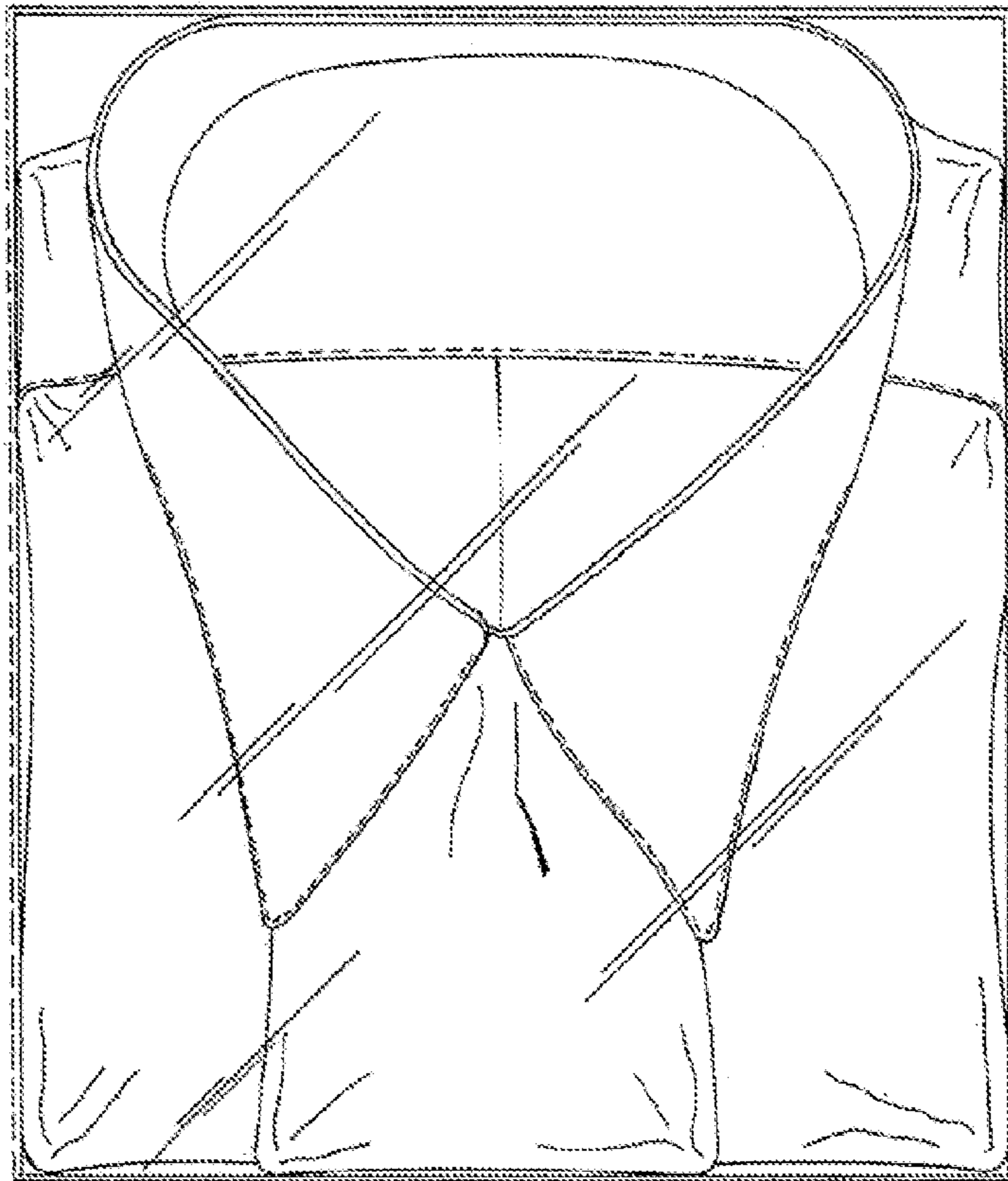


FIG. 4

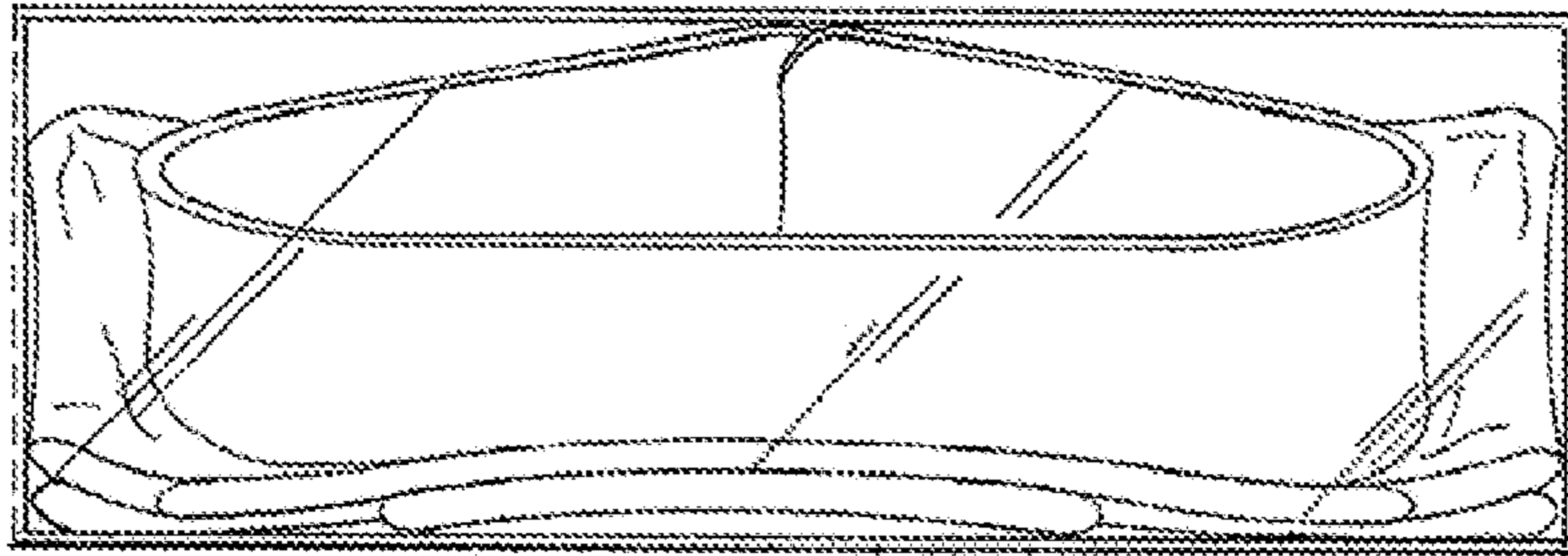


FIG. 6

