



US00D590724S

(12) **United States Design Patent**  
**Kim**

(10) **Patent No.:** **US D590,724 S**  
(45) **Date of Patent:** **\*\* Apr. 21, 2009**

(54) **SHIRT AND TIES ARRANGED IN A BOX**

(75) Inventor: **Cin Kim**, Alpine, NJ (US)

(73) Assignee: **Peacock Apparel Group, Inc.**, New York, NY (US)

(\*\*) Term: **14 Years**

(21) Appl. No.: **29/322,265**

(22) Filed: **Jul. 31, 2008**

(51) **LOC (9) Cl.** ..... **09-03**

(52) **U.S. Cl.** ..... **D9/721**

(58) **Field of Classification Search** ..... D9/414,  
D9/415, 418, 423, 430, 432, 434, 456, 457,  
D9/715, 721, 722, 737; D2/500-502, 600,  
D2/602, 605-607, 609, 728, 828-830, 840-842,  
D2/847, 849, 853, 854; D3/272; D6/300;  
2/66, 77, 102, 115, 137-139, 144, 145, 148,  
2/151, 154; 206/242, 275, 299, 554, 769;  
223/83, 84; 229/87.15, 122, 125.08, 136,  
229/160-162, 240, 275

See application file for complete search history.

(56) **References Cited**

**U.S. PATENT DOCUMENTS**

698,266 A	4/1902	Elliott	
1,862,353 A	6/1932	Allison	
2,063,255 A	12/1936	Madsen et al.	
2,233,207 A	2/1941	Gillam	
3,043,494 A	7/1962	Moore	
3,066,792 A	12/1962	Spilman	
3,346,881 A	10/1967	Mathison	
3,363,264 A	1/1968	Mathison	
3,511,364 A	5/1970	Airido	
3,670,881 A	6/1972	Dutcher	
4,046,253 A	9/1977	Weaver	
4,173,792 A	11/1979	Intengan	
4,182,224 A	1/1980	Dutcher	
D261,479 S	10/1981	Marks	
D276,964 S *	1/1985	Boland, II	D6/470
4,762,272 A	8/1988	Herrin	
4,856,709 A	8/1989	Axelsson et al.	

4,933,991 A	6/1990	Love	
D343,356 S	1/1994	Wittman	
D346,960 S	5/1994	Bennett	
5,316,139 A	5/1994	Judd et al.	
D349,181 S	8/1994	Cheng	
5,499,484 A	3/1996	Herrin	
D368,588 S	4/1996	Goraleski et al.	
5,549,243 A	8/1996	Dorier et al.	
5,673,434 A	10/1997	Risk	
D390,339 S	2/1998	Dipietro	
D392,112 S *	3/1998	Cynkar et al.	D6/314
D394,959 S *	6/1998	Kwan	D6/314
6,041,998 A	3/2000	Goldberg et al.	

(Continued)

*Primary Examiner*—Stella M Reid  
*Assistant Examiner*—Shanda C Hill  
(74) *Attorney, Agent, or Firm*—Leason Ellis LLP

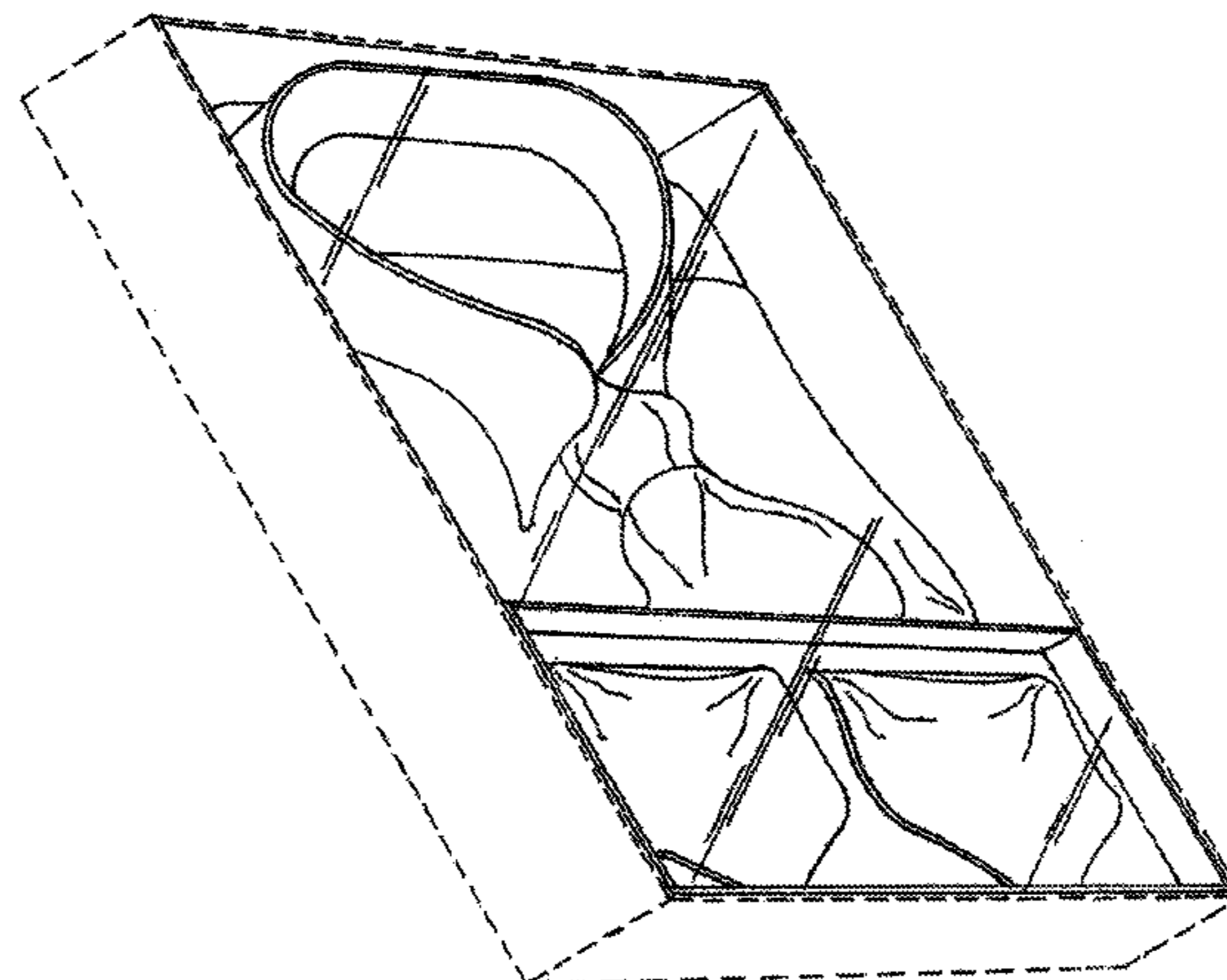
(57) **CLAIM**

The ornamental design for a shirt and ties arranged in a box, as shown and described.

**DESCRIPTION**

FIG. 1 is a top, front and side perspective view of a shirt and ties arranged in a box showing my new design;  
FIG. 2 is a top plan view thereof;  
FIG. 3 is a front elevation view thereof, the rear view being a mirror image thereof;  
FIG. 4 is a right side elevation view thereof, the left side being a mirror image thereof; and,  
FIG. 5 is a bottom plan thereof.  
The broken lines shown in the drawing disclosure are for illustrative purposes only and form no part of the claimed design.

**1 Claim, 2 Drawing Sheets**



# US D590,724 S

Page 2

---

## U.S. PATENT DOCUMENTS

6,142,365	A	11/2000	Breitbach				
D458,064	S	*	6/2002	List et al. ....	D6/509	D565,965	S 4/2008 Kim
D458,483	S	*	6/2002	List, Jr. et al. ....	D6/509	D565,966	S 4/2008 Kim
6,460,189	B1	10/2002	Welch			D574,722	S 8/2008 Kim
D468,941	S	*	1/2003	List et al. ....	D6/509	D574,723	S 8/2008 Kim
D490,977	S	*	6/2004	Freeman ....	D3/273	D574,724	S 8/2008 Kim
D492,595	S	7/2004	Chang			D574,725	S 8/2008 Kim
7,096,509	B2	8/2006	Kim			D574,726	S 8/2008 Kim
7,114,220	B2	10/2006	Kim			D574,727	S 8/2008 Kim
D546,674	S	7/2007	Limber			D574,728	S 8/2008 Kim
D553,495	S	10/2007	Vandecasteele et al.			D574,729	S 8/2008 Kim
7,310,857	B2	12/2007	Kim			D574,730	S 8/2008 Kim
						D581,681	S * 12/2008 Goolrick ..... D6/314
						2007/0062846	A1 3/2007 Kim

\* cited by examiner

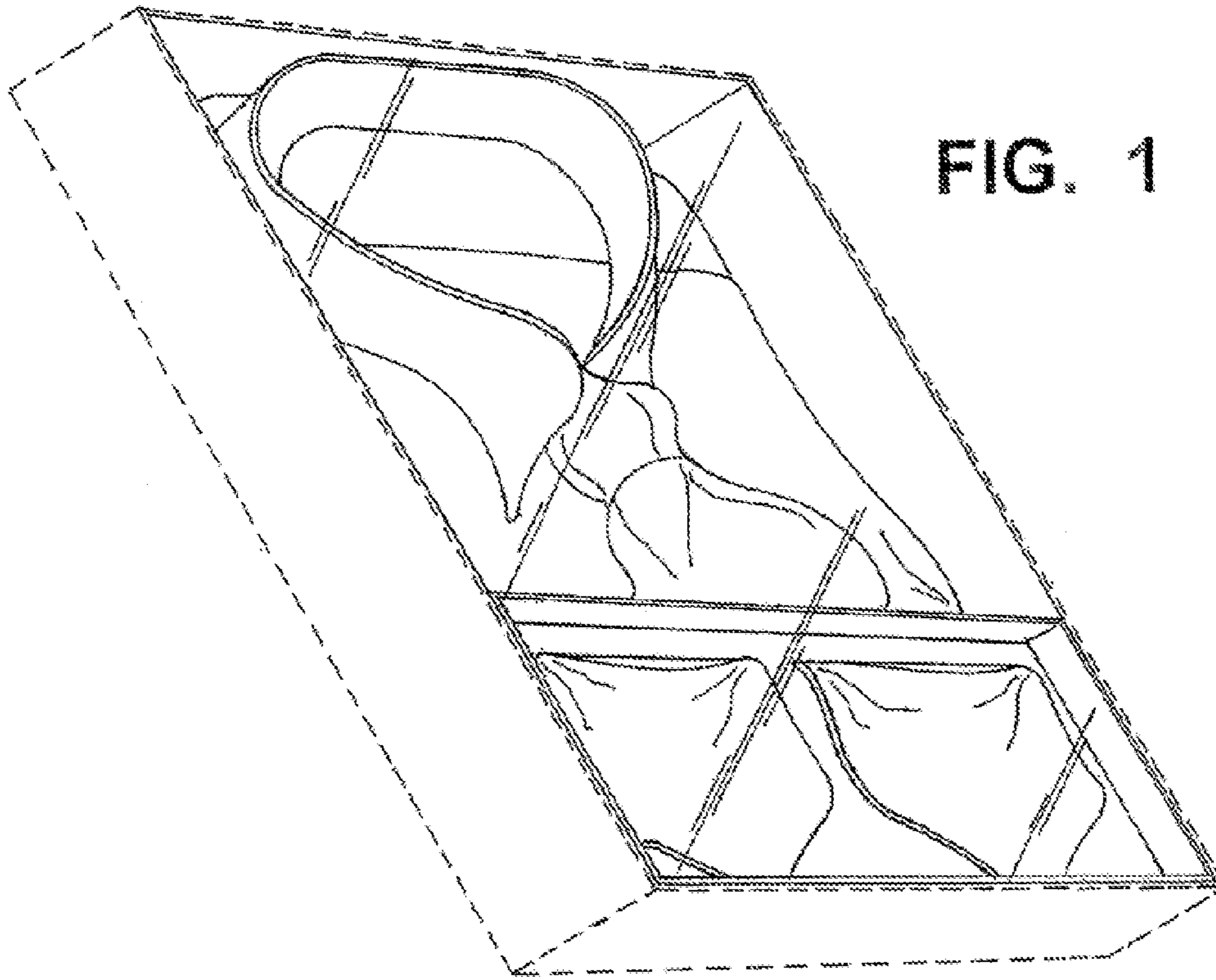


FIG. 1



FIG. 3

FIG. 4



FIG. 5

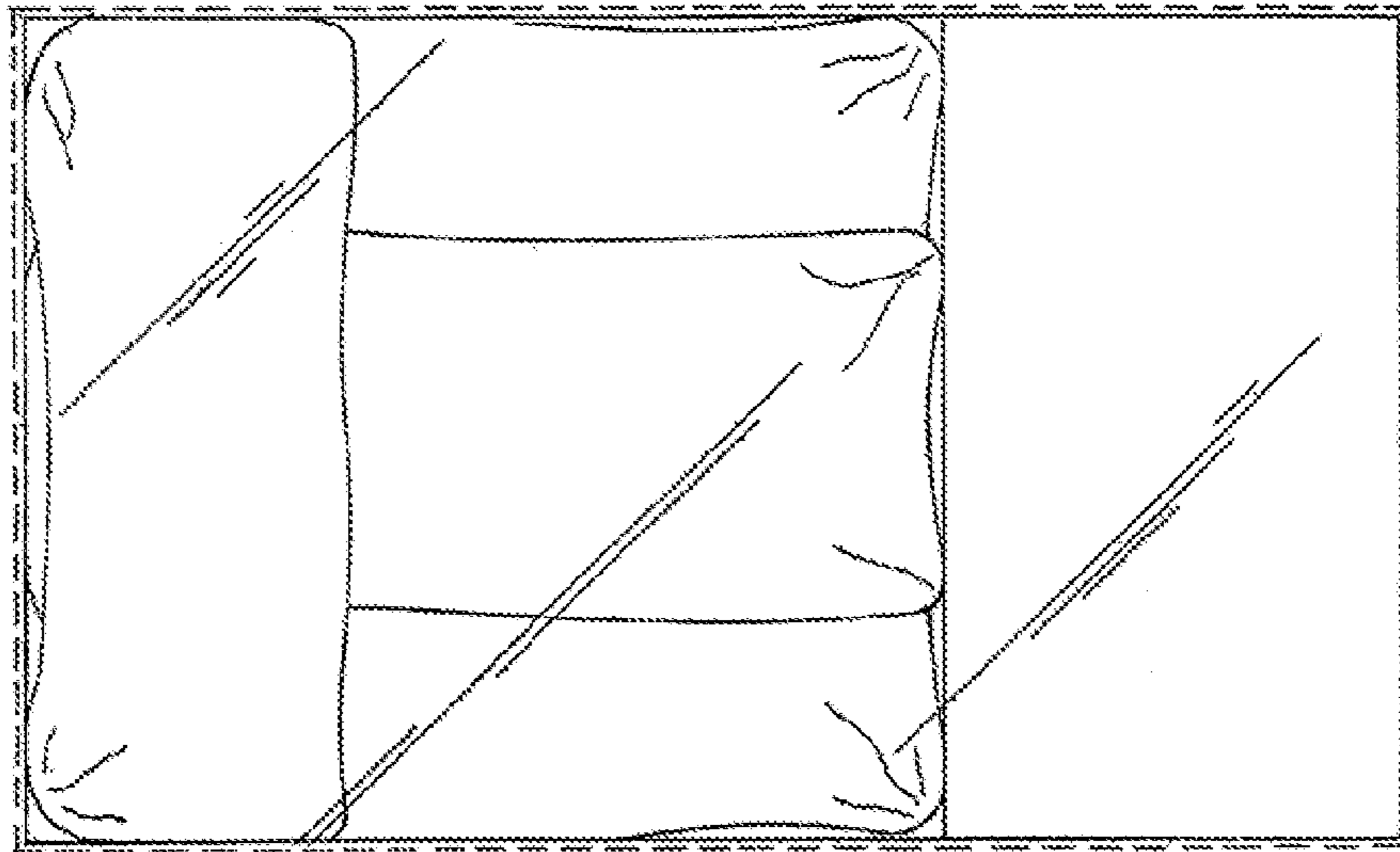


FIG. 2

