



US00D590722S

(12) **United States Design Patent**
McGrath

(10) **Patent No.:** **US D590,722 S**

(45) **Date of Patent:** **** Apr. 21, 2009**

(54) **PISTON CONTAINER**

(76) Inventor: **Joseph McGrath**, 13553 S. Lawter,
Crestwood, IL (US) 60445

(**) Term: **14 Years**

(21) Appl. No.: **29/289,103**

(22) Filed: **Jul. 6, 2007**

(51) **LOC (9) Cl.** **09-01**

(52) **U.S. Cl.** **D9/672**

(58) **Field of Classification Search** D15/1,
D15/3, 5, 148-149; 91/476, 505, 172, 229,
91/224, 12.2, 19-20, 71-73; 417/212, 218,
417/269, 319; 123/41.34, 41.35, 193.1, 193.6;
D9/675, 672; 215/393, 395, 400
See application file for complete search history.

(56) **References Cited**

U.S. PATENT DOCUMENTS

3,285,098	A *	11/1966	Beveridge	74/579 R
D261,986	S *	11/1981	Abramo	D9/672
4,836,045	A *	6/1989	Lobig	74/579 E
4,884,900	A *	12/1989	Pirault et al.	384/434
5,524,507	A *	6/1996	Olmr et al.	74/579 E
D373,773	S *	9/1996	Hund, Jr.	D15/5

2005/0092280 A1* 5/2005 Endoh et al. 123/193.6
2006/0054127 A1* 3/2006 Kamada et al. 123/193.6

* cited by examiner

Primary Examiner—Ian Simmons

Assistant Examiner—Wan Laymon

(74) *Attorney, Agent, or Firm*—Ice Miller LLP

(57) **CLAIM**

The ornamental design for a piston container, as shown and described.

DESCRIPTION

FIG. 1 is a perspective view of a piston container showing my new design;

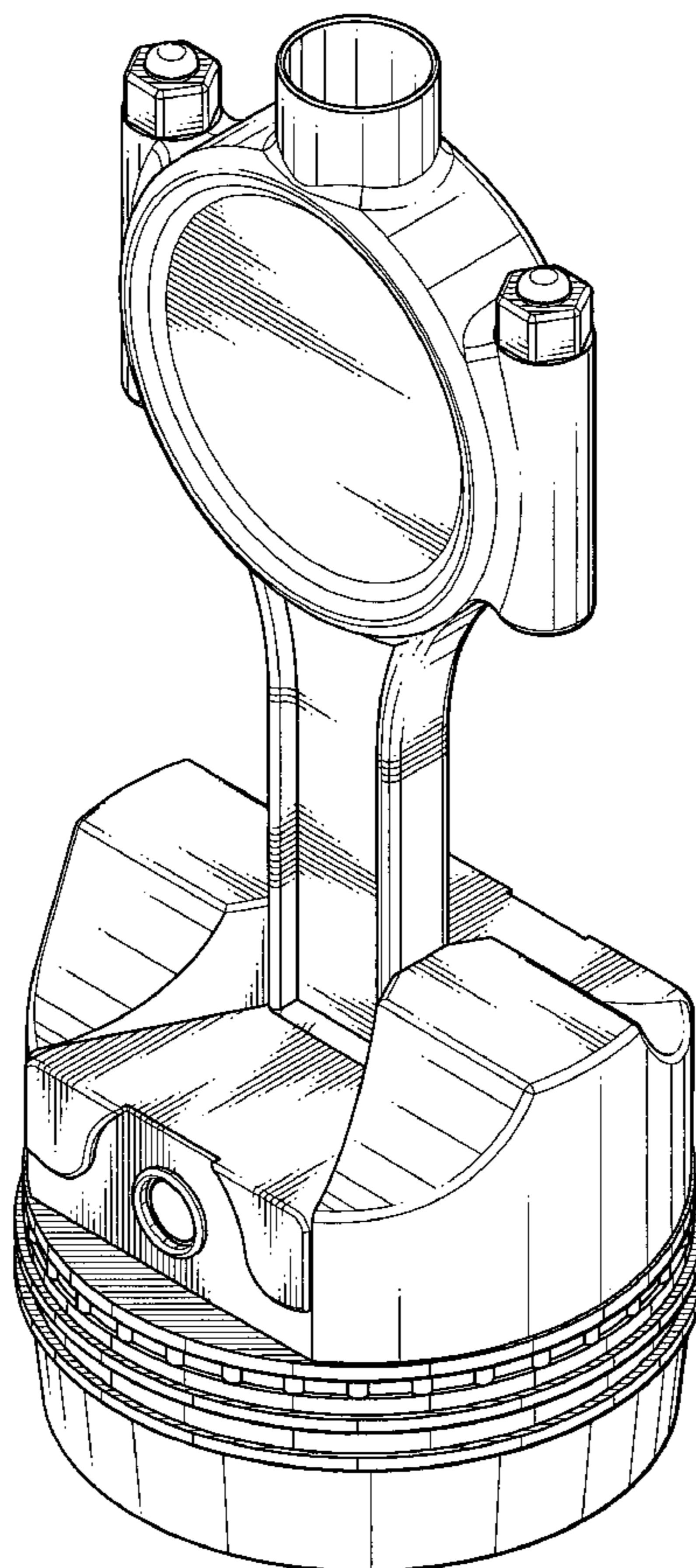
FIG. 2 is a front elevational view thereof, the rear being a mirror image;

FIG. 3 is a right side elevational view thereof, the left side being a mirror image;

FIG. 4 is a top plan view thereof; the broken lines in FIG. 4 are included for the purpose of illustrating a portion of the piston container that forms no part of the claimed design; and,

FIG. 5 is a bottom plan view thereof.

1 Claim, 5 Drawing Sheets



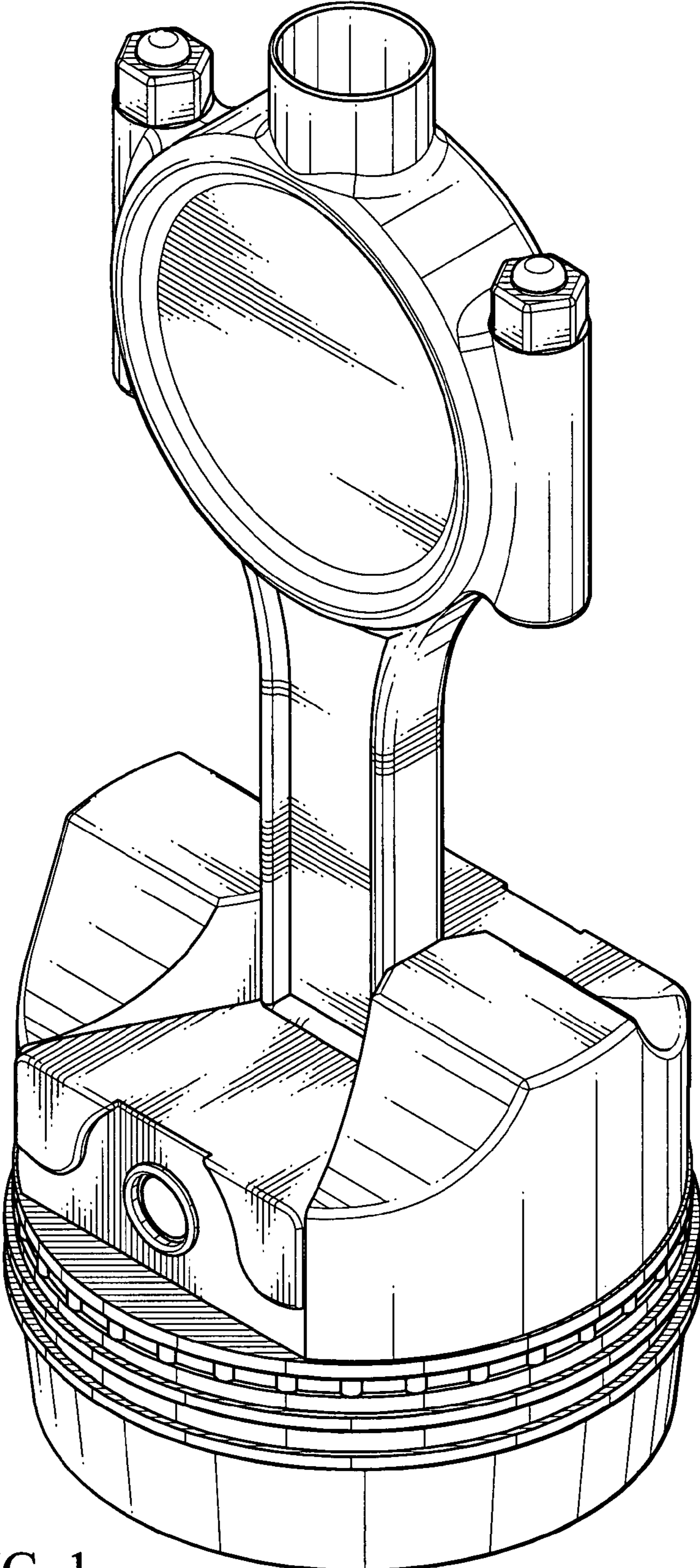


FIG. 1

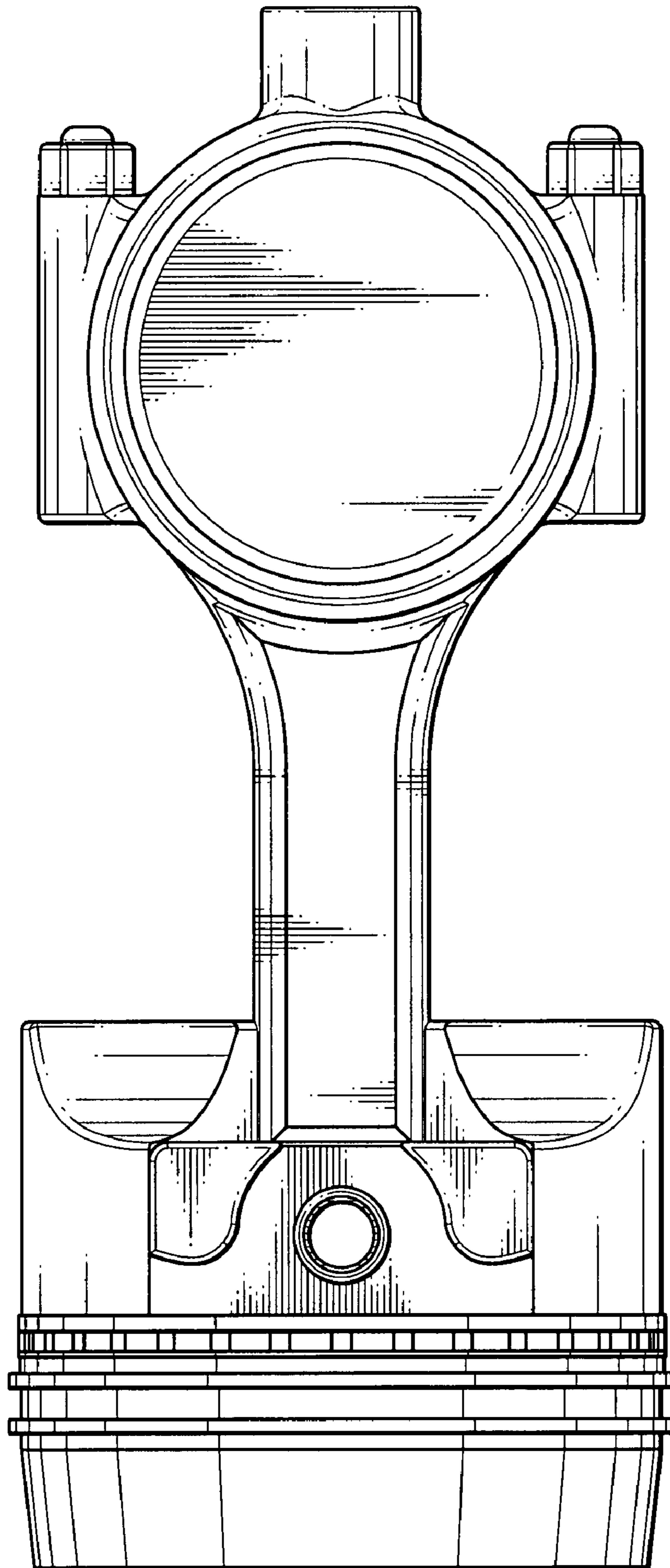


FIG. 2

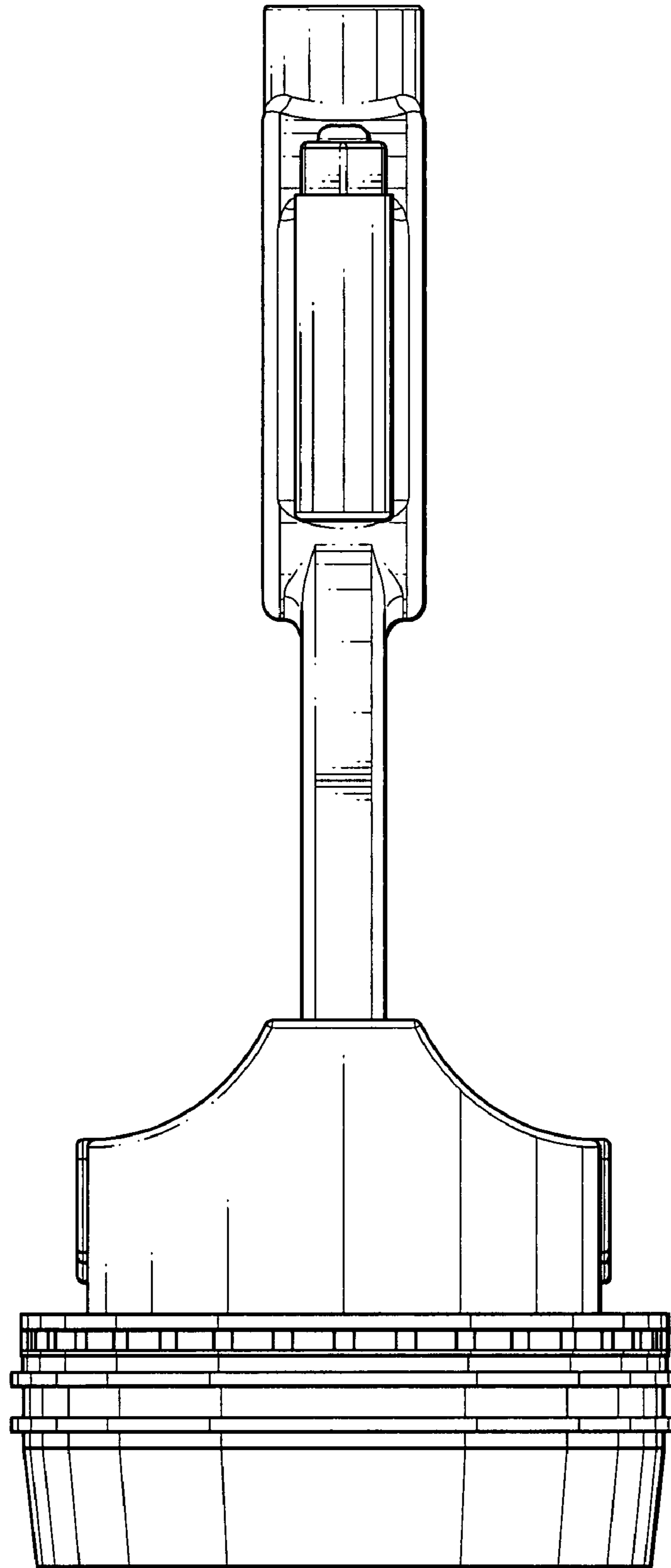


FIG. 3

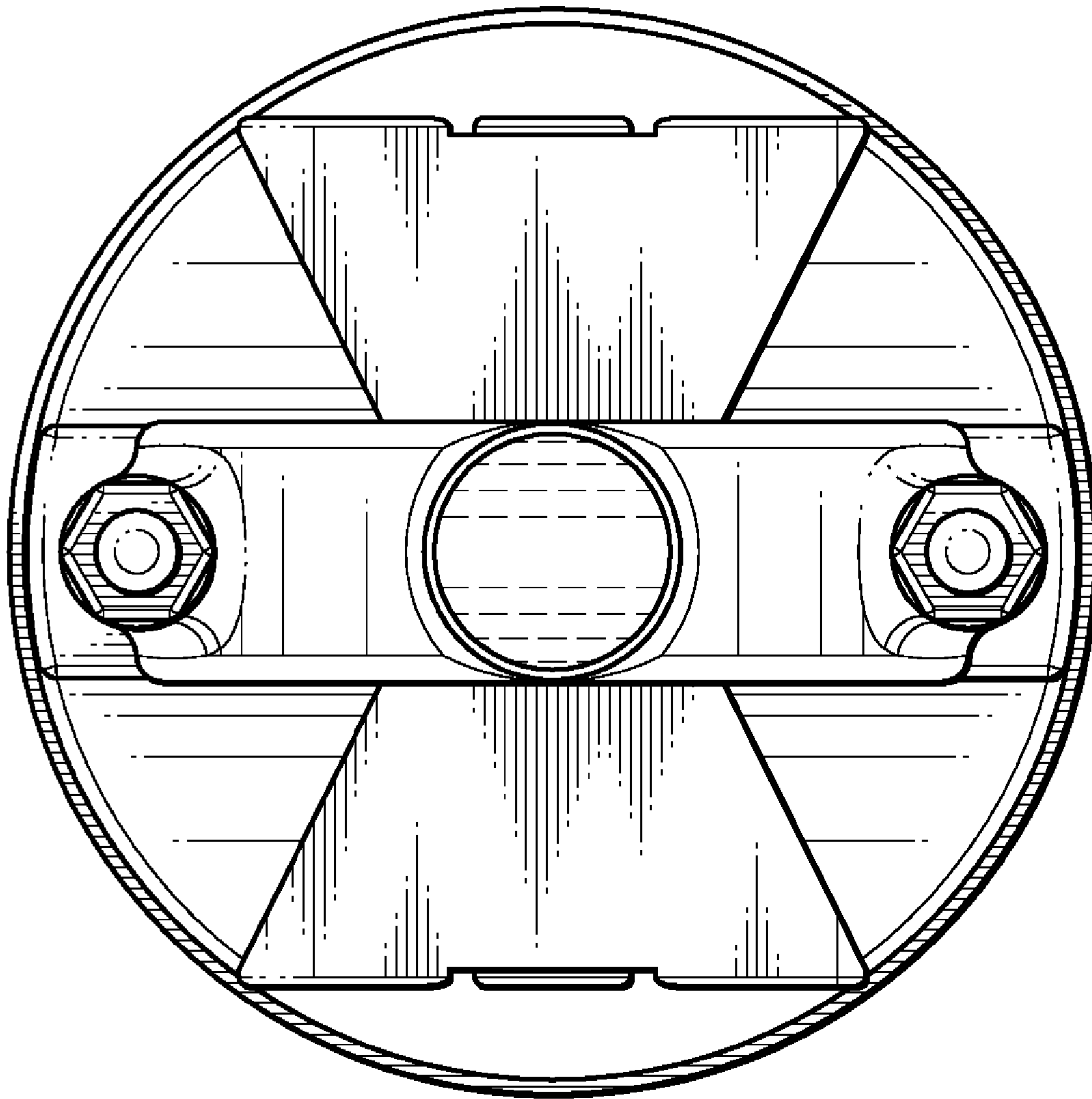


FIG. 4

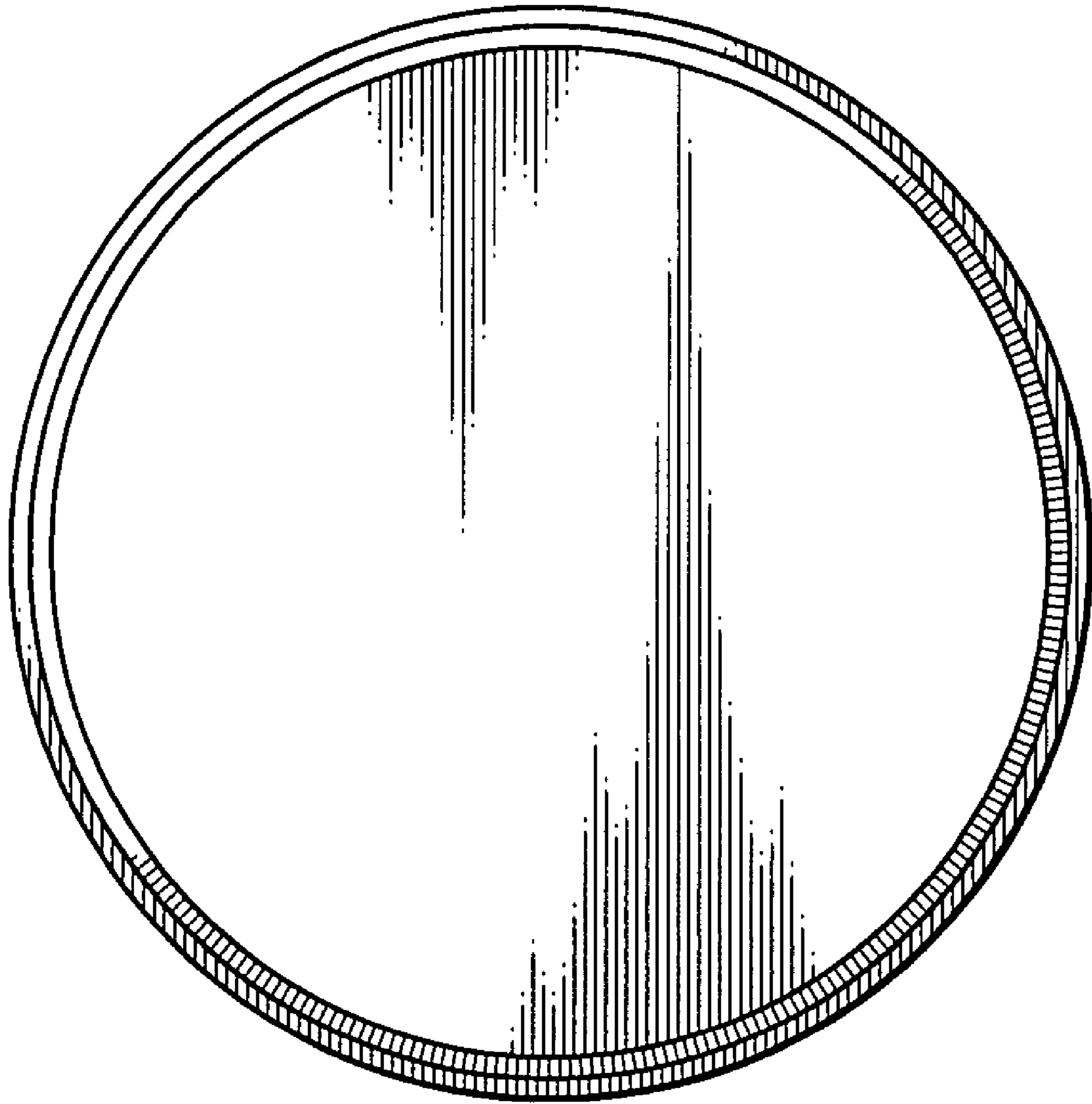


FIG. 5