

US00D590712S

(12) **United States Design Patent**
Sweeton

(10) **Patent No.:** **US D590,712 S**

(45) **Date of Patent:** **** Apr. 21, 2009**

(54) **SPRAYER**

(75) Inventor: **Steve L. Sweeton**, Lake Winnebago, MO
(US)

(73) Assignee: **MeadWestvaco Calmar, Inc.**,
Grandview, MO (US)

(**) Term: **14 Years**

(21) Appl. No.: **29/318,981**

(22) Filed: **Jun. 2, 2008**

(51) **LOC (9) Cl.** **09-07**

(52) **U.S. Cl.** **D9/448**

(58) **Field of Classification Search** D9/686,
D9/685, 682, 448; D8/51; D23/226, 213;
417/411; 401/190; 239/337, 120; 222/402.11,
222/383.3, 383.1, 323, 179.5, 109, 1
See application file for complete search history.

D356,249 S	3/1995	Abfier et al.	
D369,742 S	5/1996	Brookshire et al.	
5,597,095 A	1/1997	Ferrara, Jr.	
5,676,311 A *	10/1997	Hartman	239/120
D388,319 S	12/1997	Lamb	
D395,597 S *	6/1998	Lamb	D9/688
5,862,960 A	1/1999	Miller et al.	
D411,100 S	6/1999	Torres	
D430,793 S	9/2000	Baron	
D433,943 S	11/2000	Keung et al.	
6,145,706 A	11/2000	Dinand	
D434,974 S	12/2000	Weber	
D436,039 S	1/2001	Moretti	
D437,212 S	2/2001	Adachi et al.	
D437,548 S	2/2001	Desgrippes et al.	
D438,785 S	3/2001	Baron	
D438,786 S	3/2001	Ghali	
6,202,896 B1	3/2001	Bonningue	
6,296,147 B1	10/2001	Trocola et al.	

(Continued)

Primary Examiner—Susan Bennett Hattan
(74) *Attorney, Agent, or Firm*—Gordon & Jacobson, PC

(56) **References Cited**

U.S. PATENT DOCUMENTS

D178,338 S	7/1956	Collins
D195,701 S	7/1963	Chermayeff
3,189,232 A	6/1965	Joffe
D210,701 S	4/1968	Coons et al.
3,580,432 A	5/1971	Brooks
3,933,283 A	1/1976	Hoagland
3,987,942 A	10/1976	Morane et al.
4,232,828 A	11/1980	Shelly, Jr.
4,252,455 A	2/1981	De la Pena
D258,800 S	4/1981	Halbeisen et al.
D259,467 S	6/1981	Halbeisen et al.
D305,612 S	1/1990	Haworth
D315,292 S	3/1991	Seager
D328,712 S	8/1992	Butler et al.
5,147,075 A	9/1992	Regan
5,152,461 A	10/1992	Proctor
D343,577 S	1/1994	Proctor
D344,231 S	2/1994	Gagnon
D347,788 S	6/1994	Steijns et al.

(57) **CLAIM**

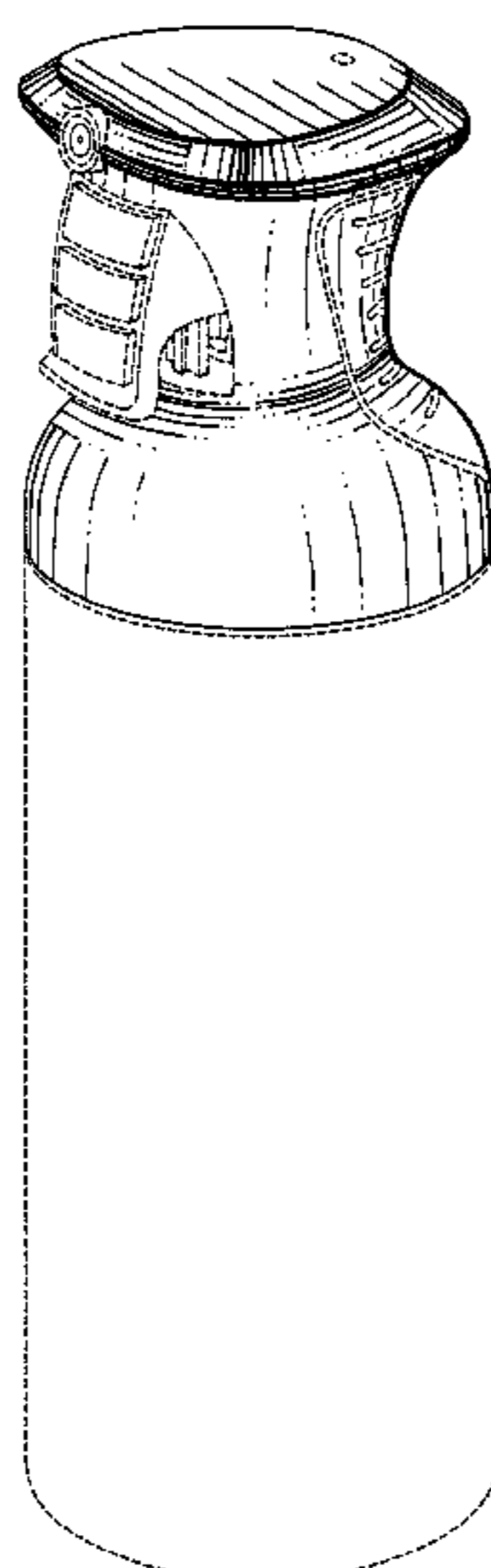
The ornamental design for a sprayer, as shown and described.

DESCRIPTION

FIG. 1 is a front side perspective view of a sprayer;
FIG. 2 is a back side perspective view of the sprayer;
FIG. 3 is a top view of the sprayer;
FIG. 4 is a side view of the sprayer, the other side being a
mirror image thereof;
FIG. 5 is a front view of the sprayer; and,
FIG. 6 is a rear view of the sprayer.

The broken lines showing the container, the trigger, the
nozzle, and certain surface ornamentation of the sprayer form
no part of the claimed design.

1 Claim, 6 Drawing Sheets



US D590,712 S

Page 2

U.S. PATENT DOCUMENTS

D461,718 S	8/2002	Brozell	D509,136 S	9/2005	Walters et al.
D463,735 S	10/2002	Gobe	6,981,658 B2	1/2006	Streutker et al.
6,502,766 B1	1/2003	Streutker et al.	D527,258 S	8/2006	Crawford
D476,558 S	7/2003	Cho et al.	D537,359 S	2/2007	Butler et al.
6,626,380 B1	9/2003	Williams et al.	D539,142 S	3/2007	Butler et al.
D481,305 S	10/2003	Walters et al.	D555,000 S	11/2007	Bunce et al.
D482,620 S	11/2003	Kleckauskas et al.	D559,682 S	1/2008	Meeker et al.
D483,273 S	12/2003	Lloyd	D561,318 S *	2/2008	Naksen et al. D23/366
D489,616 S	5/2004	Bakic	D580,761 S *	11/2008	Sweeton D9/448
D489,970 S	5/2004	Nelson et al.	2001/0023877 A1	9/2001	Walters
6,758,373 B2	7/2004	Jackson et al.	2001/0054621 A1	12/2001	Weber
D507,493 S	7/2005	Nelson et al.	2004/0222246 A1	11/2004	Bates et al.
D507,753 S	7/2005	Lamb et al.	2005/0103811 A1	5/2005	Heukamp

* cited by examiner

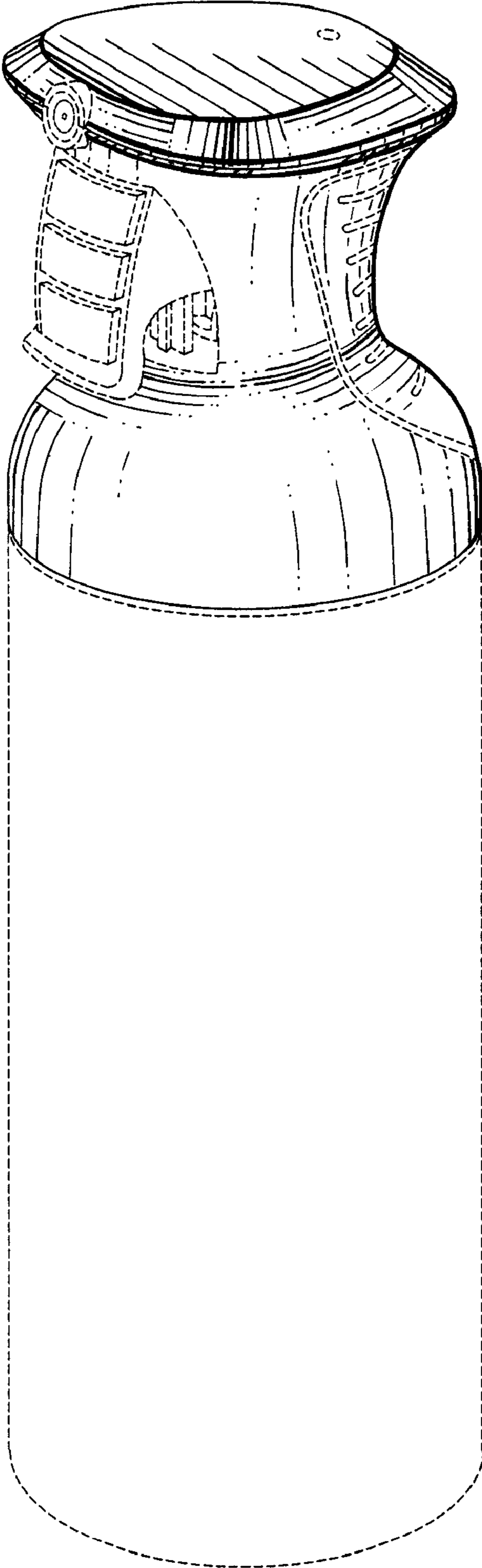


FIG. 1

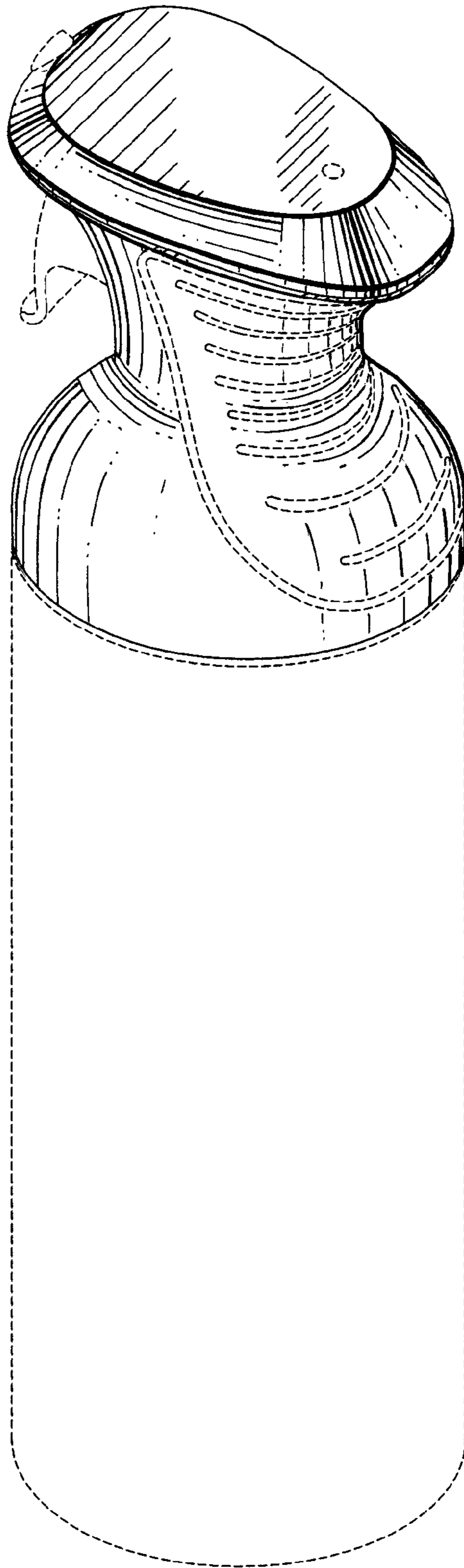


FIG. 2

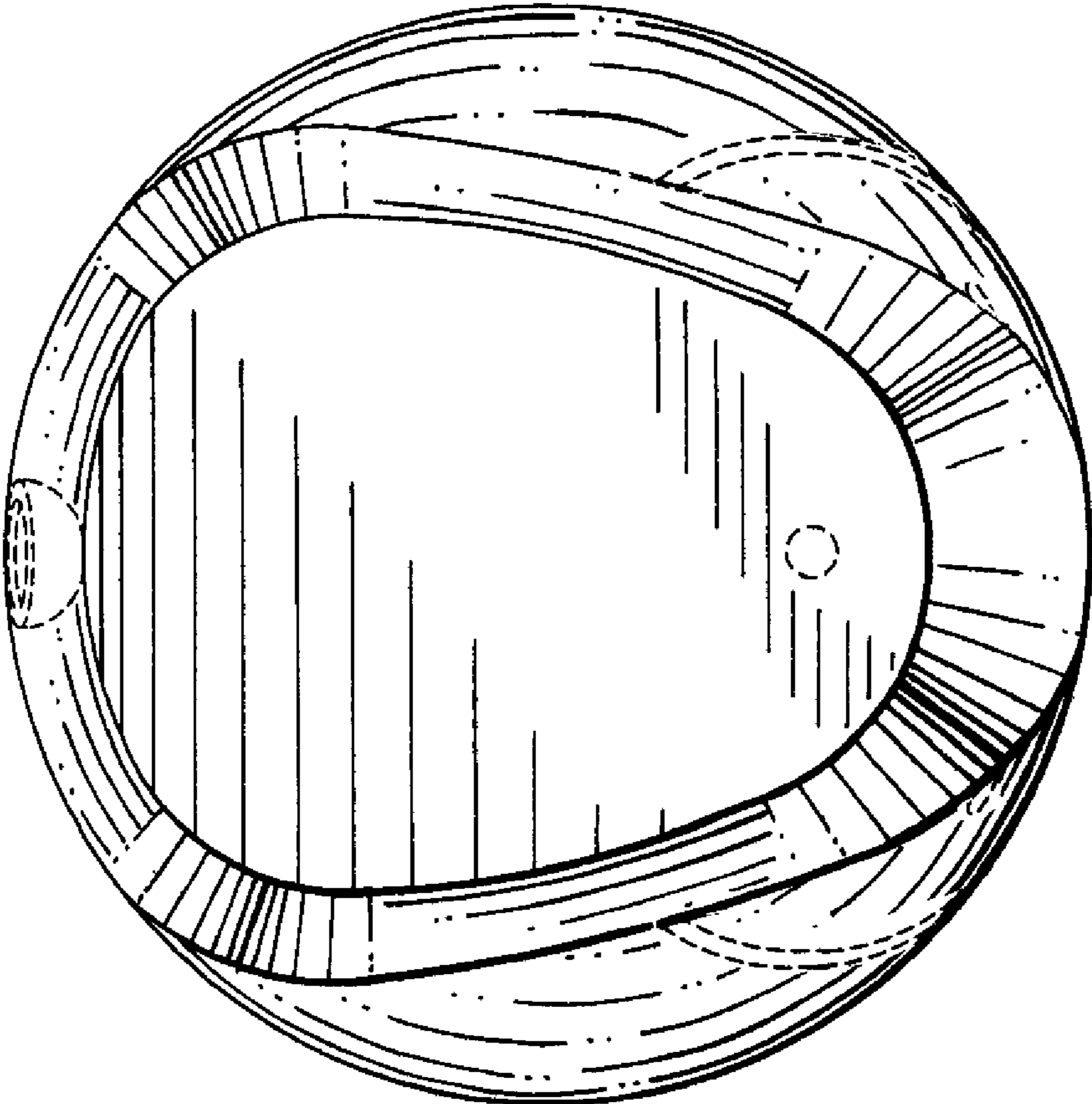


FIG.3

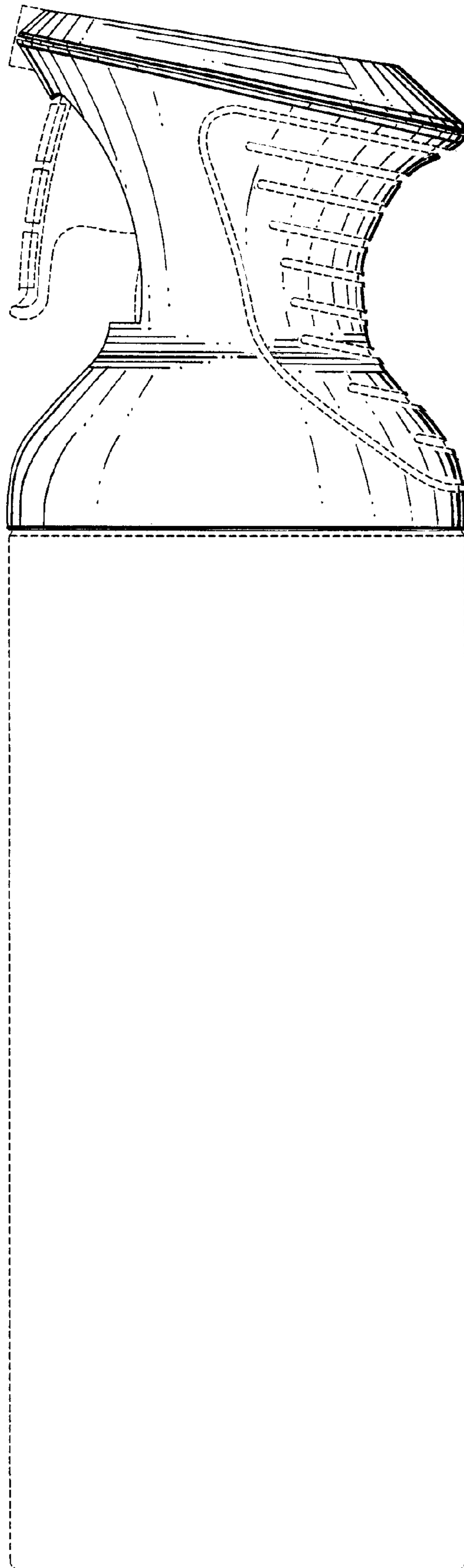


FIG. 4

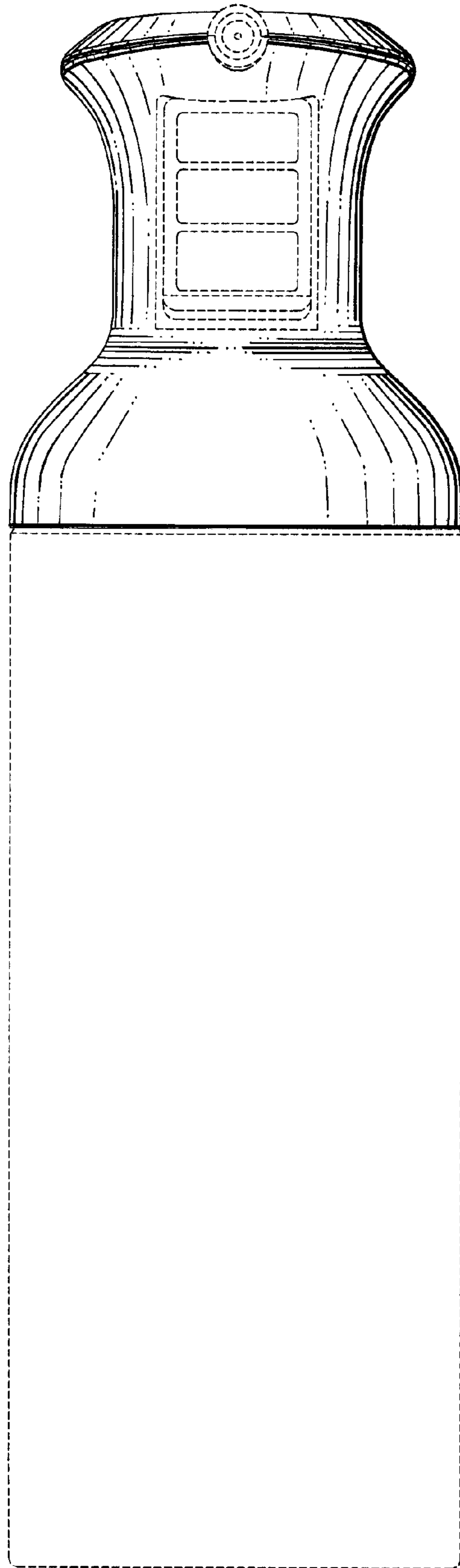


FIG.5

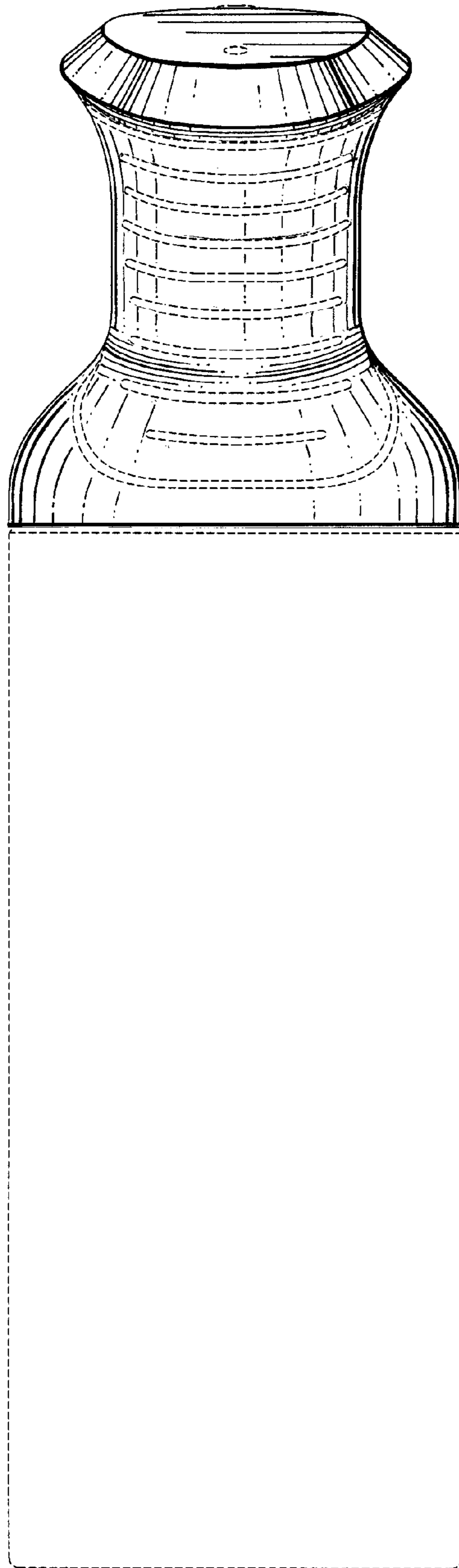


FIG.6