

US00D590710S

(12) **United States Design Patent**
Mittelstaedt

(10) **Patent No.:** **US D590,710 S**
(45) **Date of Patent:** **** Apr. 21, 2009**

(54) **STORAGE CONTAINER**

(76) Inventor: **Chris Mittelstaedt**, 405 Victory Dr.,
Suite D, South San Francisco, CA (US)
94080

(**) Term: **14 Years**

(21) Appl. No.: **29/307,064**

(22) Filed: **Mar. 27, 2008**

(51) **LOC (9) Cl.** **09-03**

(52) **U.S. Cl.** **D9/432**

(58) **Field of Classification Search** D9/430-433,
D9/414, 418, 420-423, 435, 560, 561; D3/201,
D3/272, 273, 305; 206/278, 297, 299, 320,
206/339, 433, 769, 770, 775, 776, 781, 782,
206/822; 229/100, 103.3, 104-106, 107,
229/108, 108.1, 110, 111, 112, 115, 117.16,
229/120, 125.015, 120.32, 133.24, 122.29,
229/124, 160.1, 162.1, 162.6, 163, 182.1,
229/201, 406, 407, 902, 904, 906, 922, 930,
229/939, 942

See application file for complete search history.

(56) **References Cited**

U.S. PATENT DOCUMENTS

1,480,377	A *	1/1924	Daly	229/122.23
1,491,574	A *	4/1924	Walter	229/125.17
1,510,508	A *	10/1924	Snyder	217/2
1,672,634	A *	6/1928	Walter	229/122.26
1,703,399	A *	2/1929	Lange	229/122.26
1,862,205	A *	6/1932	Stokes	229/122.24
1,976,530	A *	10/1934	Verhoven	229/117.17
2,144,774	A *	1/1939	Richards et al.	229/120.18
2,324,905	A *	7/1943	Chambliss	229/117.17
2,331,754	A *	10/1943	Wohlers	229/148
2,361,124	A *	10/1944	Ringholz	229/148
2,913,162	A *	11/1959	Goltz	206/509
2,963,211	A *	12/1960	Agler	229/117.16
3,055,569	A *	9/1962	Layne, Sr.	229/117.17
3,170,616	A *	2/1965	Crozier	206/199

3,291,370	A *	12/1966	Elias	229/125.41
3,313,465	A *	4/1967	Geisler	229/122.24
3,313,468	A *	4/1967	Ross	206/521
3,352,474	A *	11/1967	Racer	229/149
3,485,433	A *	12/1969	Rapp	229/122.25
3,815,808	A *	6/1974	Bunnell	206/427
3,924,801	A *	12/1975	Partain	229/168
3,951,329	A *	4/1976	Turner	229/125.32
4,739,921	A *	4/1988	Taub	229/120.32
4,869,424	A *	9/1989	Wood	229/113
5,007,580	A *	4/1991	Morrison et al.	229/117.17
D326,341	S *	5/1992	Frauhiger	D34/1
5,562,246	A *	10/1996	Smith et al.	229/117.16
5,887,782	A *	3/1999	Mueller	229/183
6,102,280	A *	8/2000	Dowd	229/155
6,761,307	B2 *	7/2004	Matsuoka	229/117
D539,138	S *	3/2007	Mittelstaedt et al.	D9/432
2007/0063003	A1 *	3/2007	Spivey et al.	229/117.16
2007/0138245	A1 *	6/2007	Mittelstaedt et al.	229/163
2008/0237322	A1 *	10/2008	Mittelstaedt	229/117.16
2008/0237323	A1 *	10/2008	Mittelstaedt	229/117.16

* cited by examiner

Primary Examiner—T. Chase Nelson

Assistant Examiner—Karen Acker

(74) *Attorney, Agent, or Firm*—Wiesner & Associates;
Leland Wiesner

(57) **CLAIM**

What is claimed is an ornamental design for a storage container, as shown.

DESCRIPTION

FIG. 1 is a perspective view of a storage container showing the new design;

FIG. 2 is a first side view thereof;

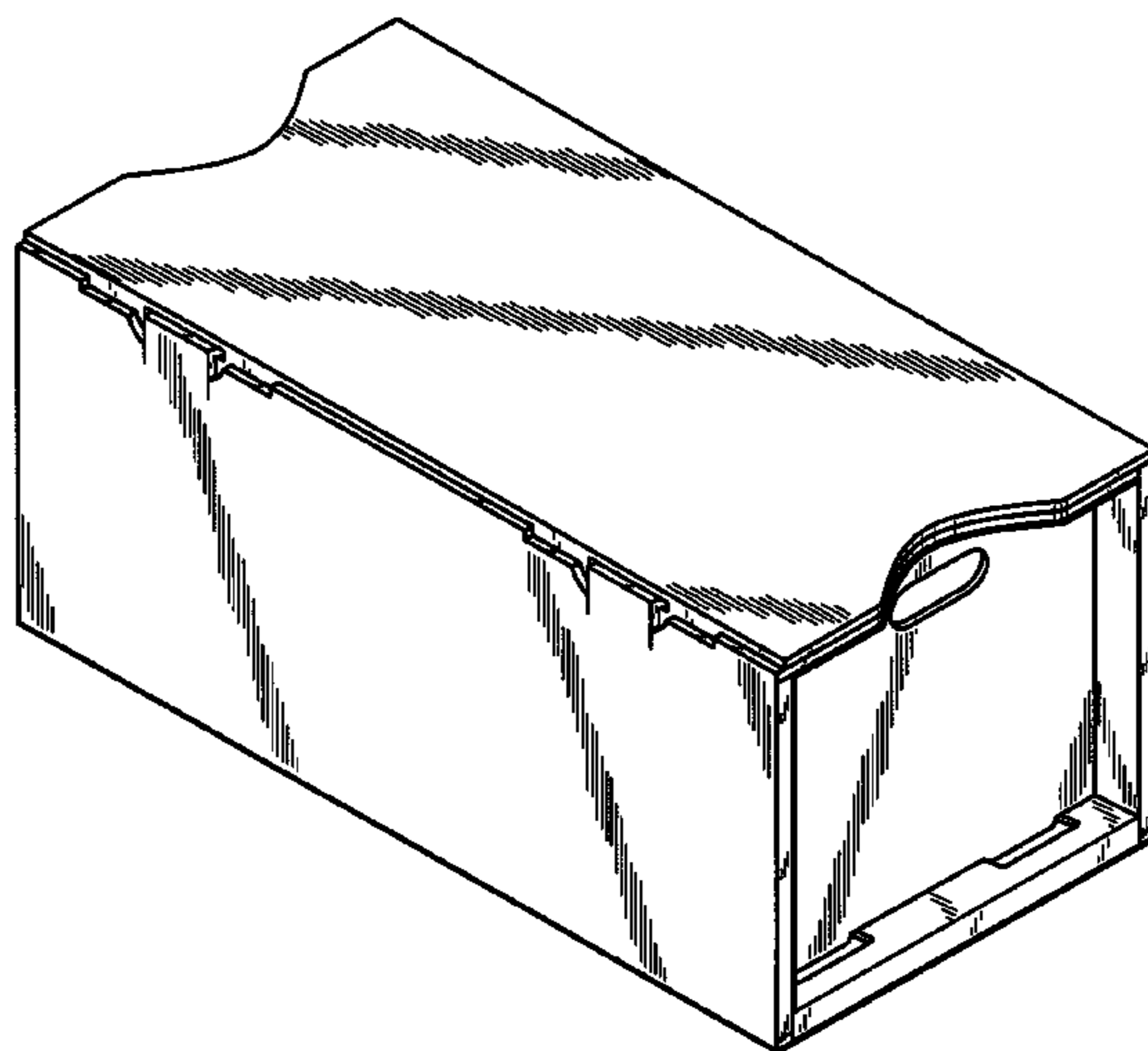
FIG. 3 is a second side view thereof;

FIG. 4 is a third side view thereof;

FIG. 5 is a top view thereof; and,

FIG. 6 is a bottom view thereof.

1 Claim, 3 Drawing Sheets



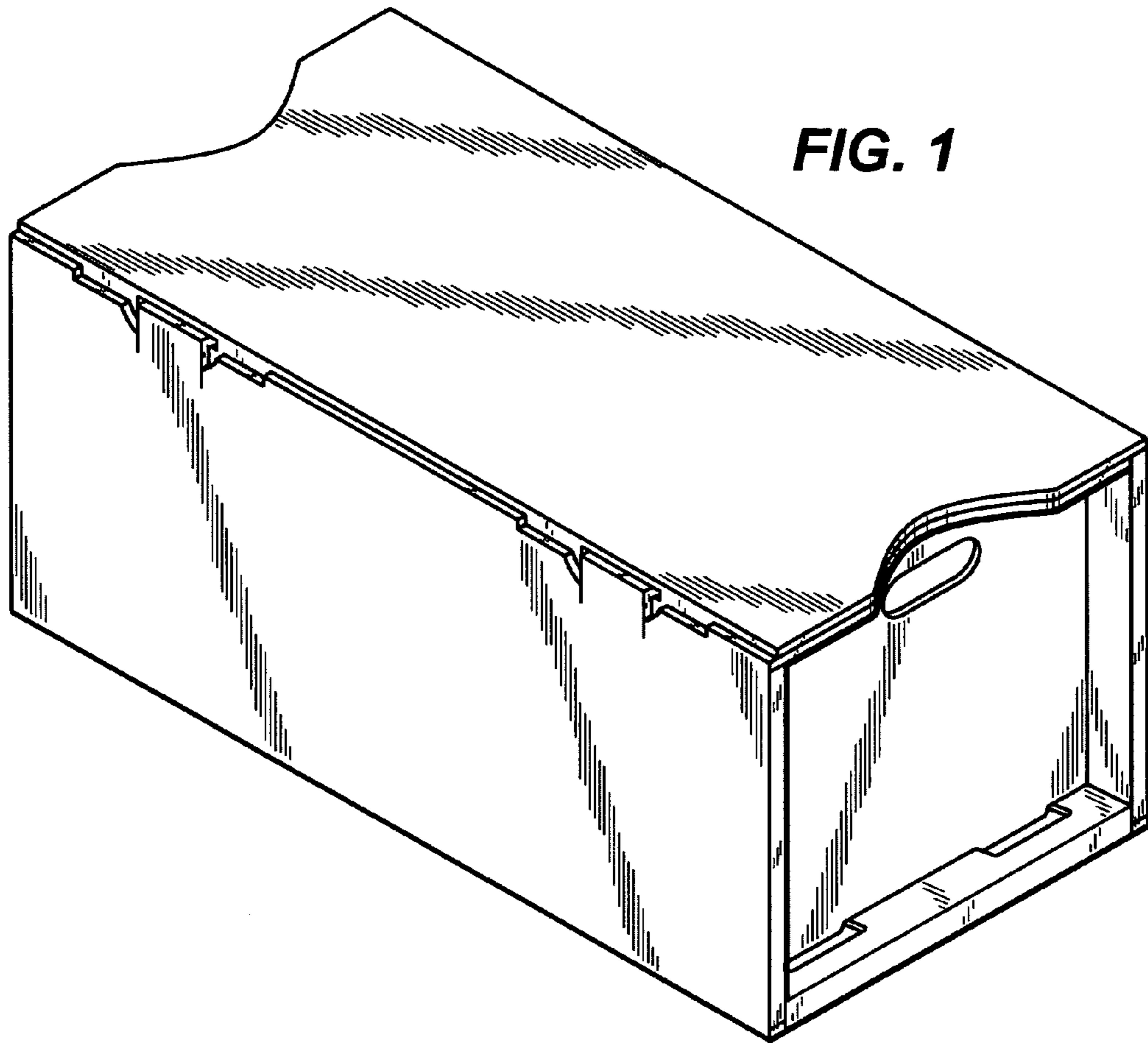


FIG. 1

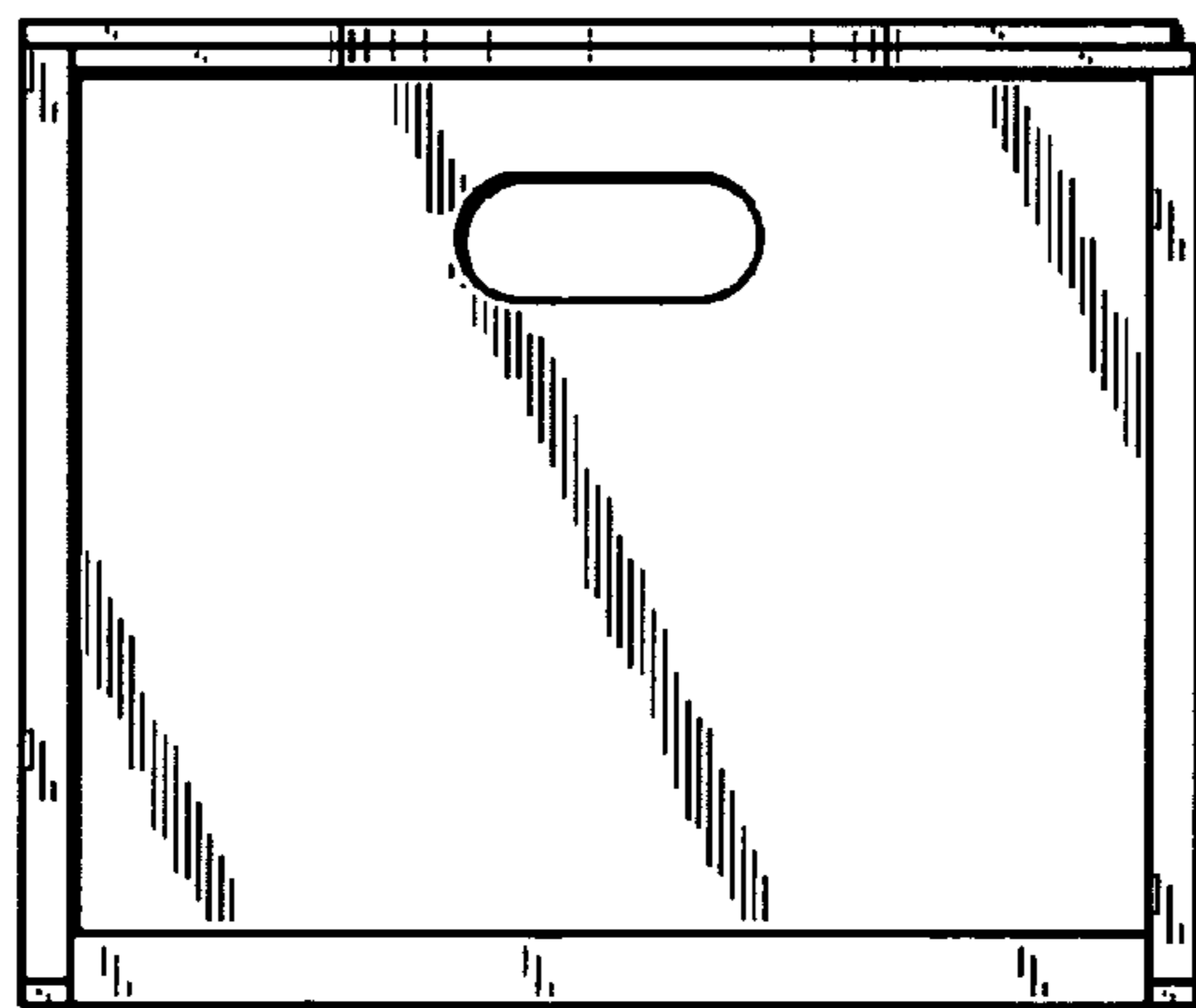


FIG. 3

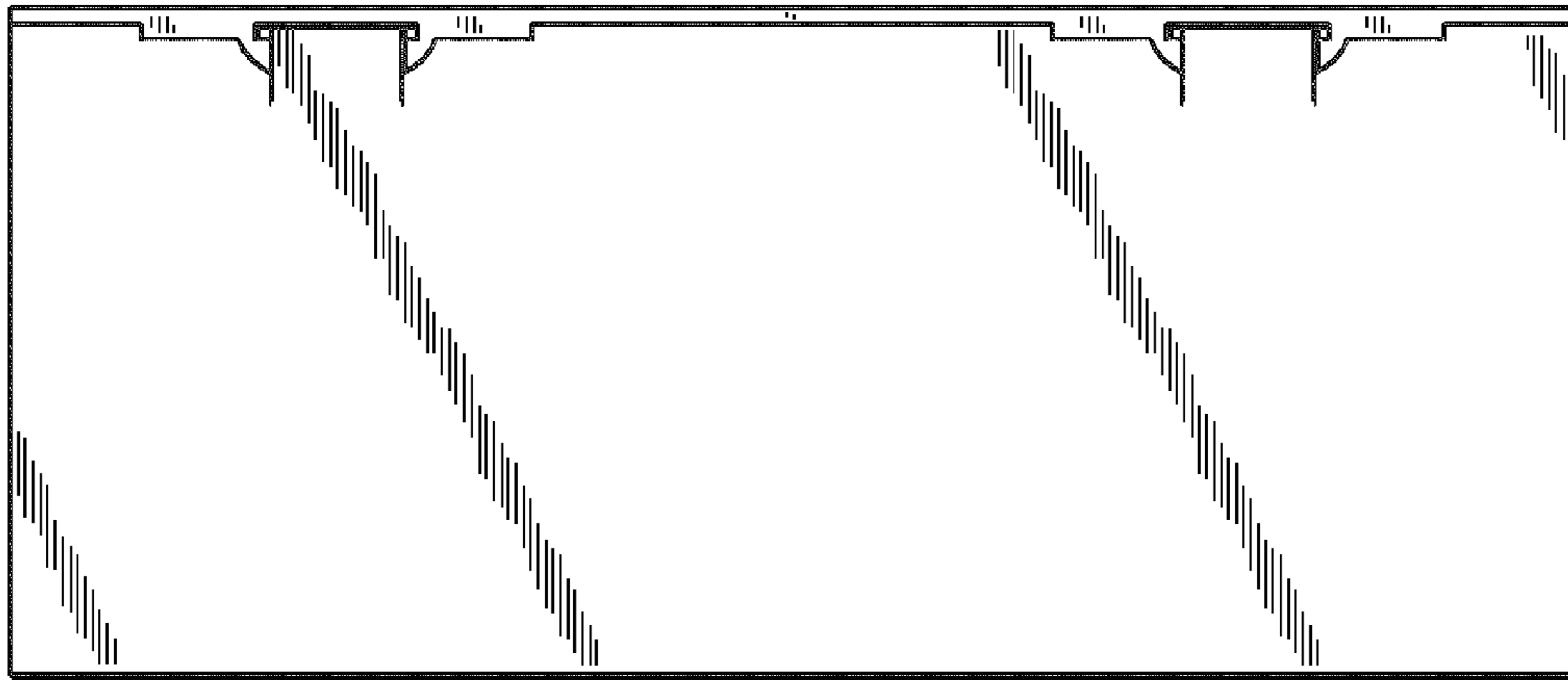


FIG. 2

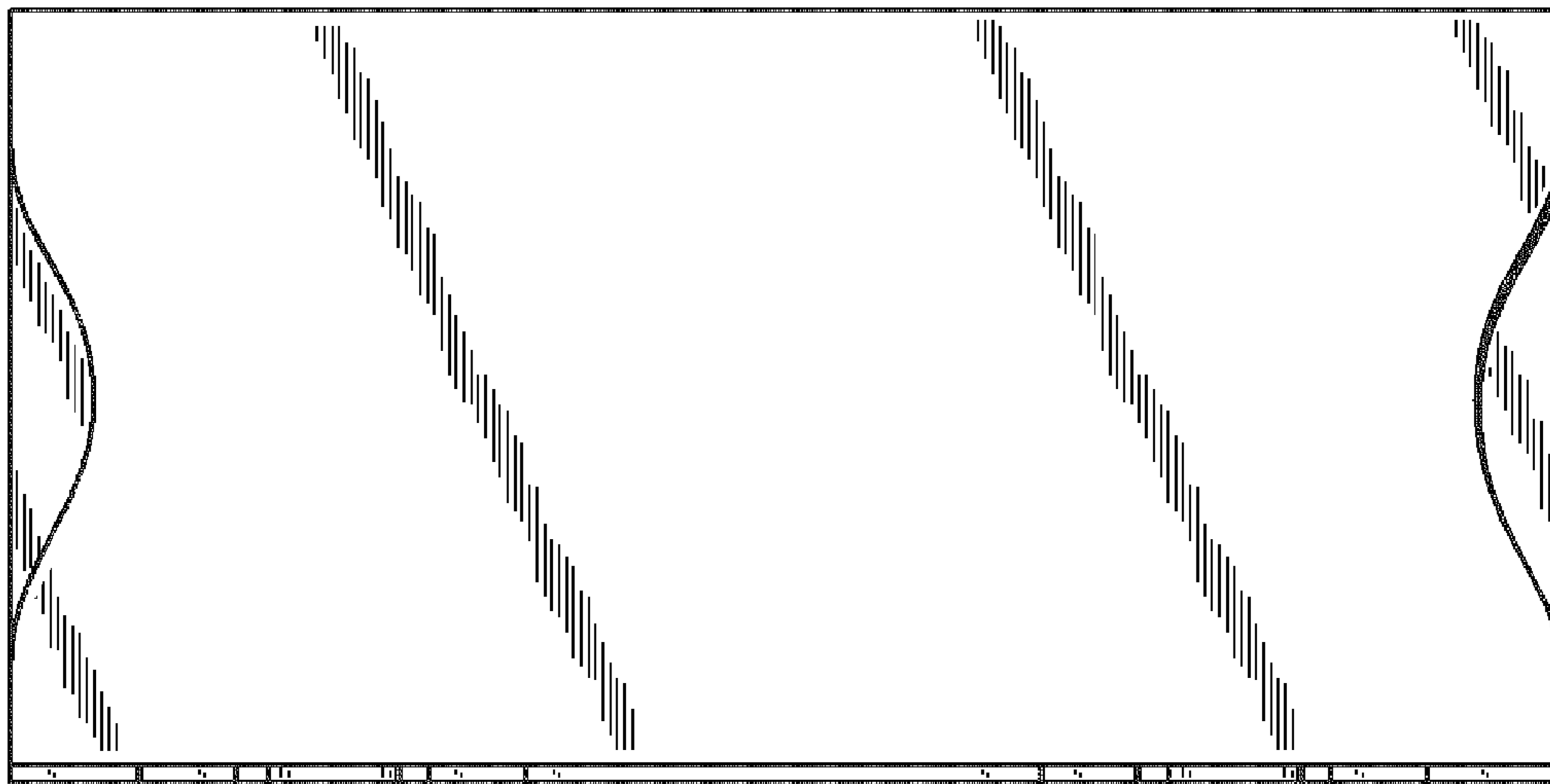


FIG. 5

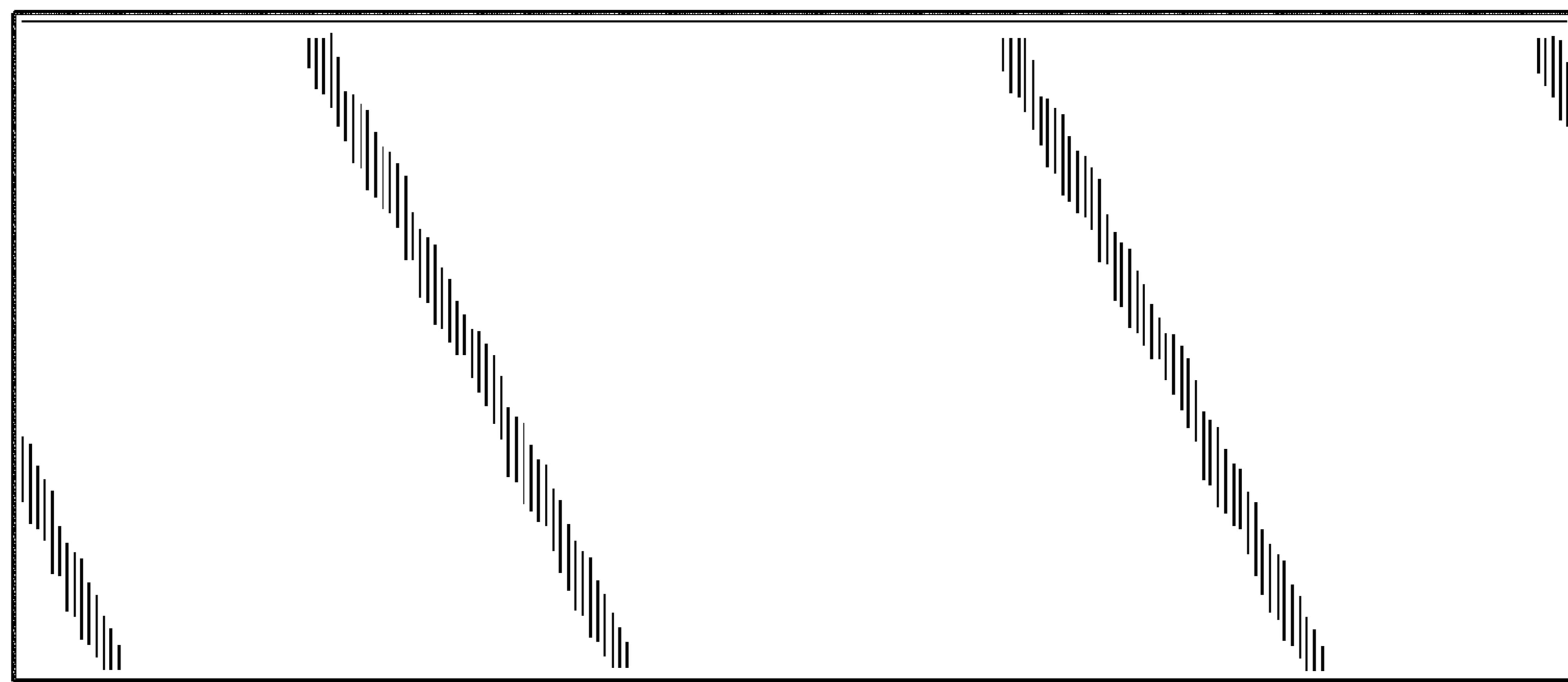


FIG. 4

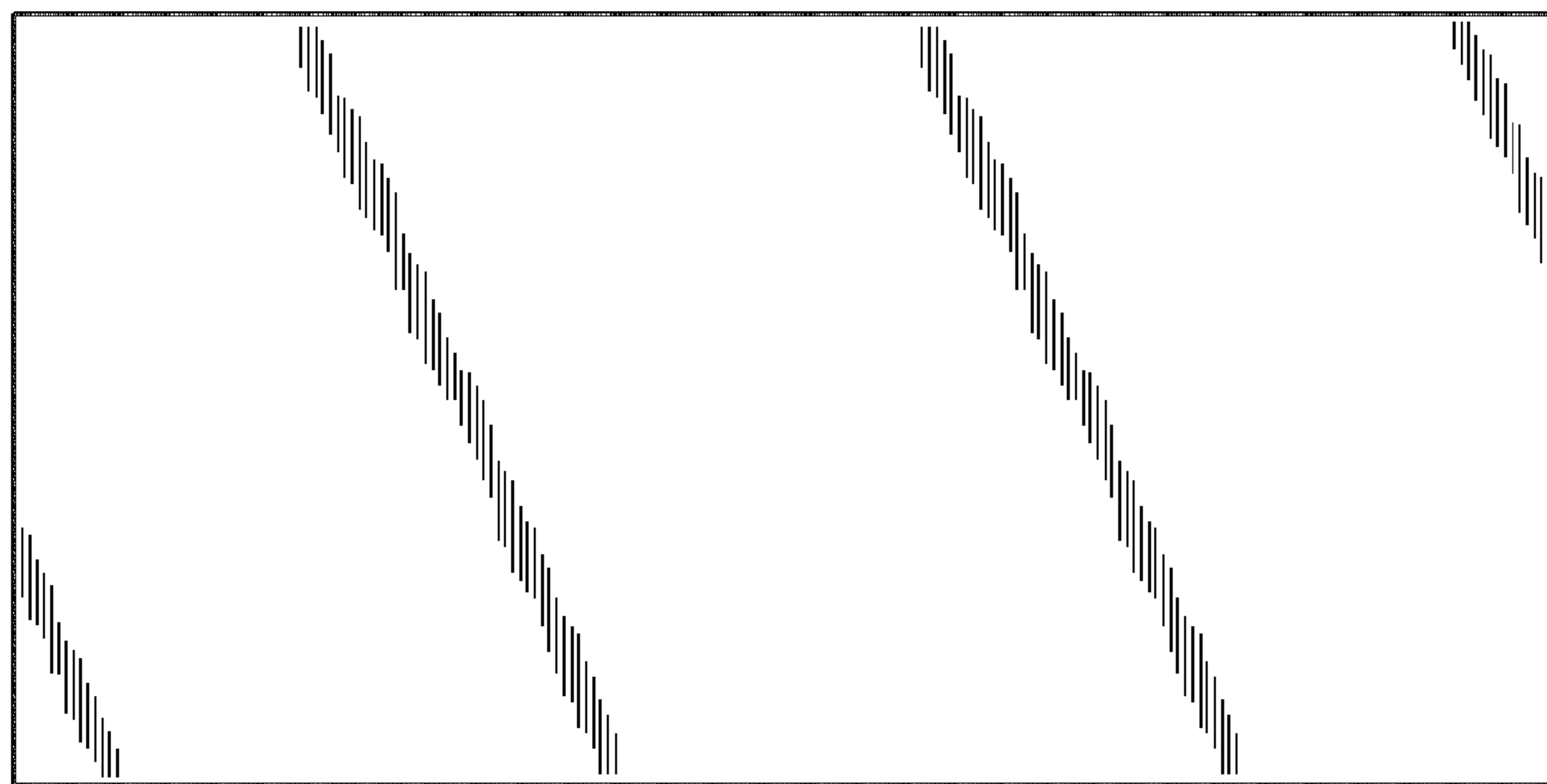


FIG. 6