



US00D590708S

(12) **United States Design Patent**  
**Maguire et al.**

(10) **Patent No.:** **US D590,708 S**

(45) **Date of Patent:** **\*\* Apr. 21, 2009**

(54) **PACKAGING**

(75) Inventors: **Christopher Maguire**, Solihull (GB);  
**Mark Evans**, London (GB)

(73) Assignee: **Forensic Science Service Ltd.**, Solihull  
(GB)

(\*\*) Term: **14 Years**

(21) Appl. No.: **29/264,489**

(22) Filed: **Aug. 9, 2006**

(30) **Foreign Application Priority Data**

Feb. 9, 2006 (EM) ..... 000477534-001  
Feb. 9, 2006 (EM) ..... 000477534-002  
Feb. 9, 2006 (EM) ..... 000477534-003

(51) **LOC (9) Cl.** ..... **09-03**

(52) **U.S. Cl.** ..... **D9/432**

(58) **Field of Classification Search** ..... D9/430-433,  
D9/414-418, 420-429, 560, 730, 733, 737,  
D9/756, 444, 711; D3/273, 302; 206/421,  
206/454, 457, 775-778, 784, 822, 434; 220/500,  
220/523-529, 552, 555; 229/100, 103.3,  
229/104-106, 108, 108.1, 109, 110, 112-116,  
229/116.1, 116.2, 117.15, 120, 125.015,  
229/132, 138, 155, 162.1, 162.6, 162.7, 182.1,  
229/213, 214, 247, 406, 407, 902, 911, 922,  
229/930, 942

See application file for complete search history.

(56) **References Cited**

**U.S. PATENT DOCUMENTS**

D30,089 S \* 1/1899 Zuck ..... D9/418  
1,134,783 A \* 4/1915 Wedoo ..... 229/104  
1,303,934 A \* 5/1919 Mace ..... 229/125.08

(Continued)

**FOREIGN PATENT DOCUMENTS**

EM 000153960-0001 \* 3/2004  
EM 000154711-0002 \* 3/2004

EM 000272679-0001 \* 12/2004  
EM 000272679-0005 \* 12/2004  
EM 000297296-0001 \* 2/2005  
EM 000435573-0004 \* 11/2005  
EM 000441001-0001 \* 12/2005

*Primary Examiner*—T. Chase Nelson  
*Assistant Examiner*—Karen Acker  
(74) *Attorney, Agent, or Firm*—Merchant & Gould P.C.

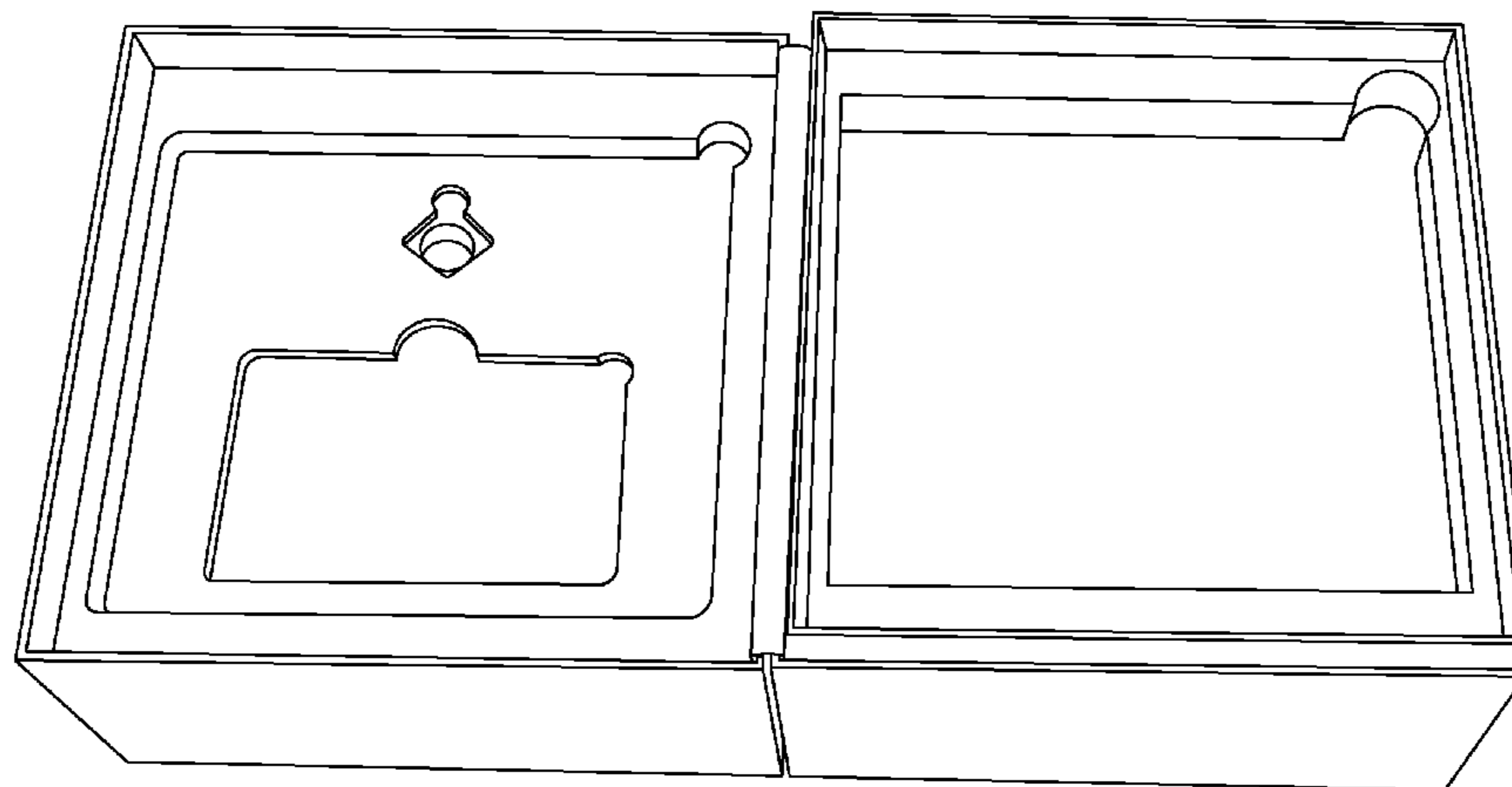
(57) **CLAIM**

The ornamental design for packaging, as shown and described.

**DESCRIPTION**

FIG. 1 is a top plan view of packaging;  
FIG. 2 is a front view of the packaging shown in FIG. 1;  
FIG. 3 is a rear view of the packaging shown in FIG. 1;  
FIG. 4 is a bottom plan view of the packaging shown in FIG. 1;  
FIG. 5 is a perspective view of the packaging shown in FIG. 1 with the outer sleeve removed showing the inner cubic box in an open position and materials set within;  
FIG. 6 is a perspective view of the packaging shown in FIG. 5 with the materials shown in FIG. 5 removed;  
FIG. 7 is a bottom perspective view of the packaging shown in FIG. 6;  
FIG. 8 is an alternative perspective view of the packaging shown in FIG. 6;  
FIG. 9 is a side elevational view of the packaging shown in FIG. 6 in a closed position;  
FIG. 10 is a perspective view of the packaging shown in FIG. 9;  
FIG. 11 is an alternative side elevational view of the packaging shown in FIG. 9; and,  
FIG. 12 is a bottom plan view of the packaging shown in FIG. 9.

**1 Claim, 12 Drawing Sheets**



# US D590,708 S

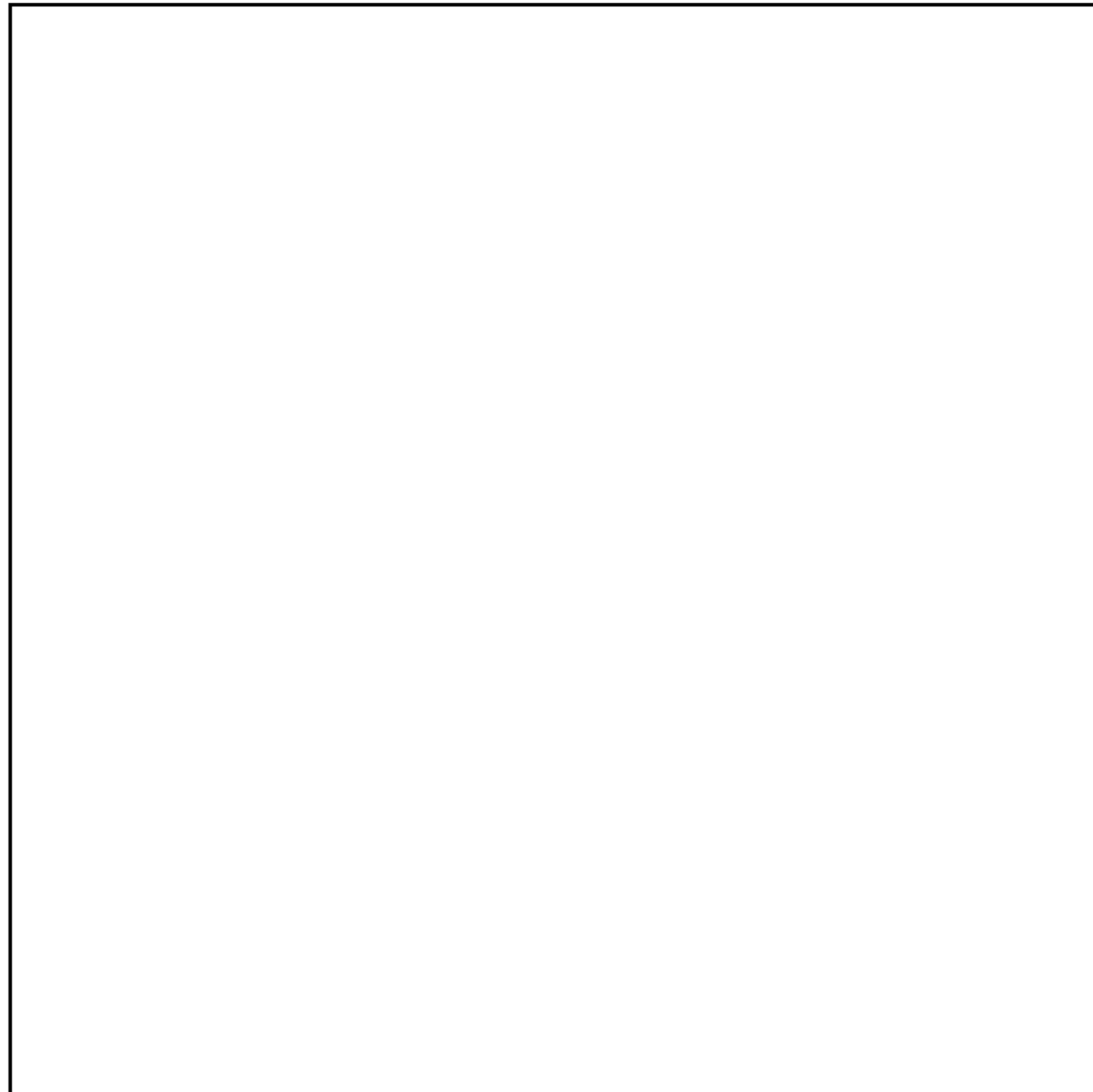
Page 2

## U.S. PATENT DOCUMENTS

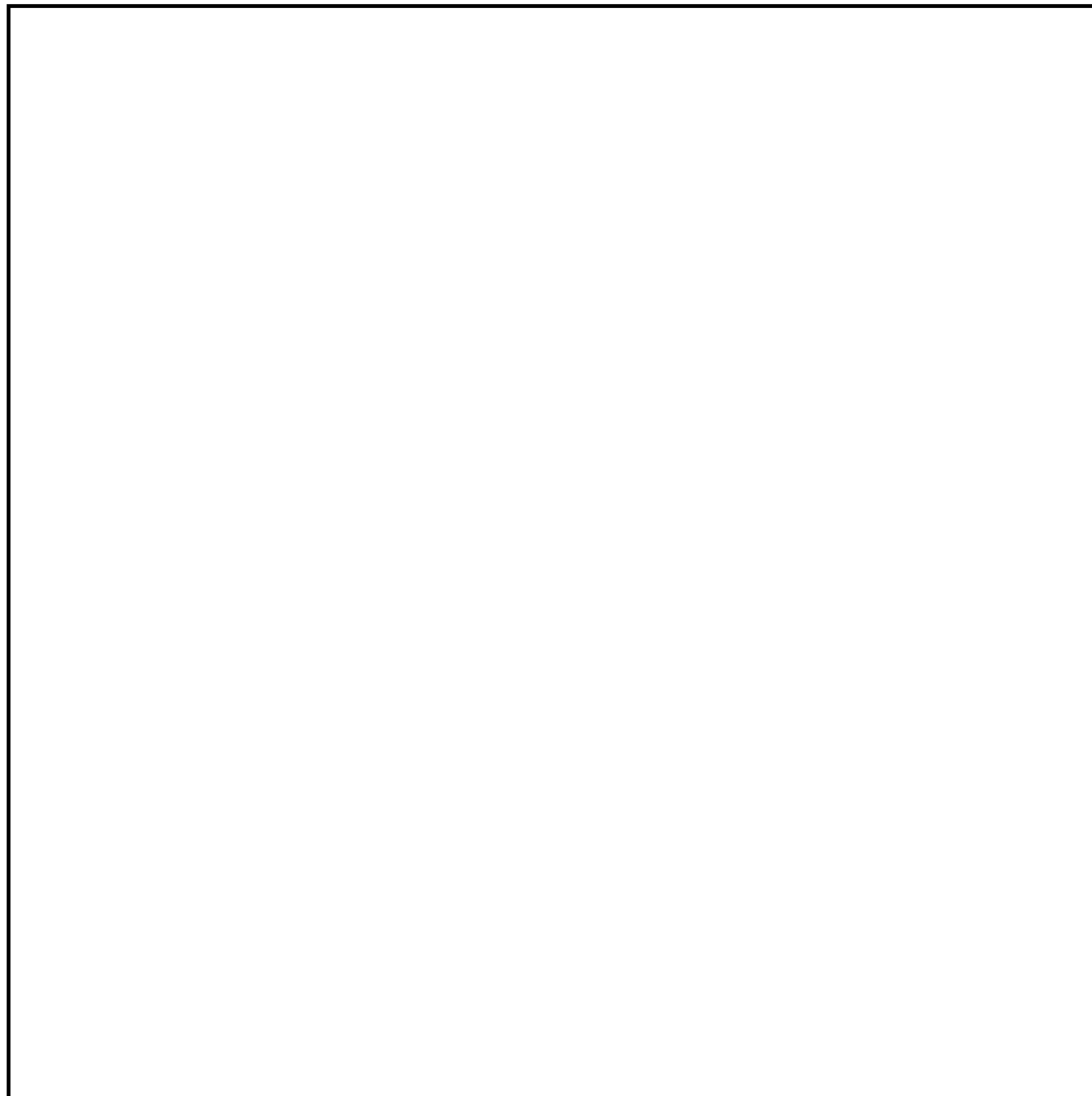
D76,992 S *	11/1928	Fawcett .....	D9/432	D394,383 S *	5/1998	Bradfield .....	D9/416
D138,413 S *	8/1944	Powers .....	D9/430	6,012,631 A *	1/2000	Hallam .....	229/163
D154,978 S *	8/1949	Baud .....	D9/432	6,601,757 B2 *	8/2003	Bowman .....	229/116.5
D180,378 S *	5/1957	Sherman .....	D9/421	D493,107 S *	7/2004	Bergne .....	D9/432
2,926,777 A *	3/1960	Maguire .....	206/761	D528,794 S *	9/2006	Lanham et al. ....	D3/294
D209,337 S *	11/1967	Dykes .....	D9/414	D543,453 S *	5/2007	Fu et al. ....	D9/432
D258,938 S *	4/1981	Spitzer .....	D9/614	D549,097 S *	8/2007	Limber .....	D9/432
4,436,244 A *	3/1984	Morris .....	229/117.12	D551,547 S *	9/2007	Wachendorf et al. ....	D9/432
D280,491 S *	9/1985	Nielsen .....	D9/432	D551,968 S *	10/2007	Kleinsmith .....	D9/432
D311,686 S *	10/1990	Tozawa .....	D9/423	D551,969 S *	10/2007	Aurilio et al. ....	D9/432
D328,375 S *	7/1992	Levine .....	D34/7	D552,986 S *	10/2007	Shiia et al. ....	D9/432
D350,480 S *	9/1994	Sutherland .....	D9/416	D559,678 S *	1/2008	Shiia et al. ....	D9/432
5,586,717 A *	12/1996	Hallam .....	229/116.1	2003/0102244 A1 *	6/2003	Sanders .....	206/523

\* cited by examiner

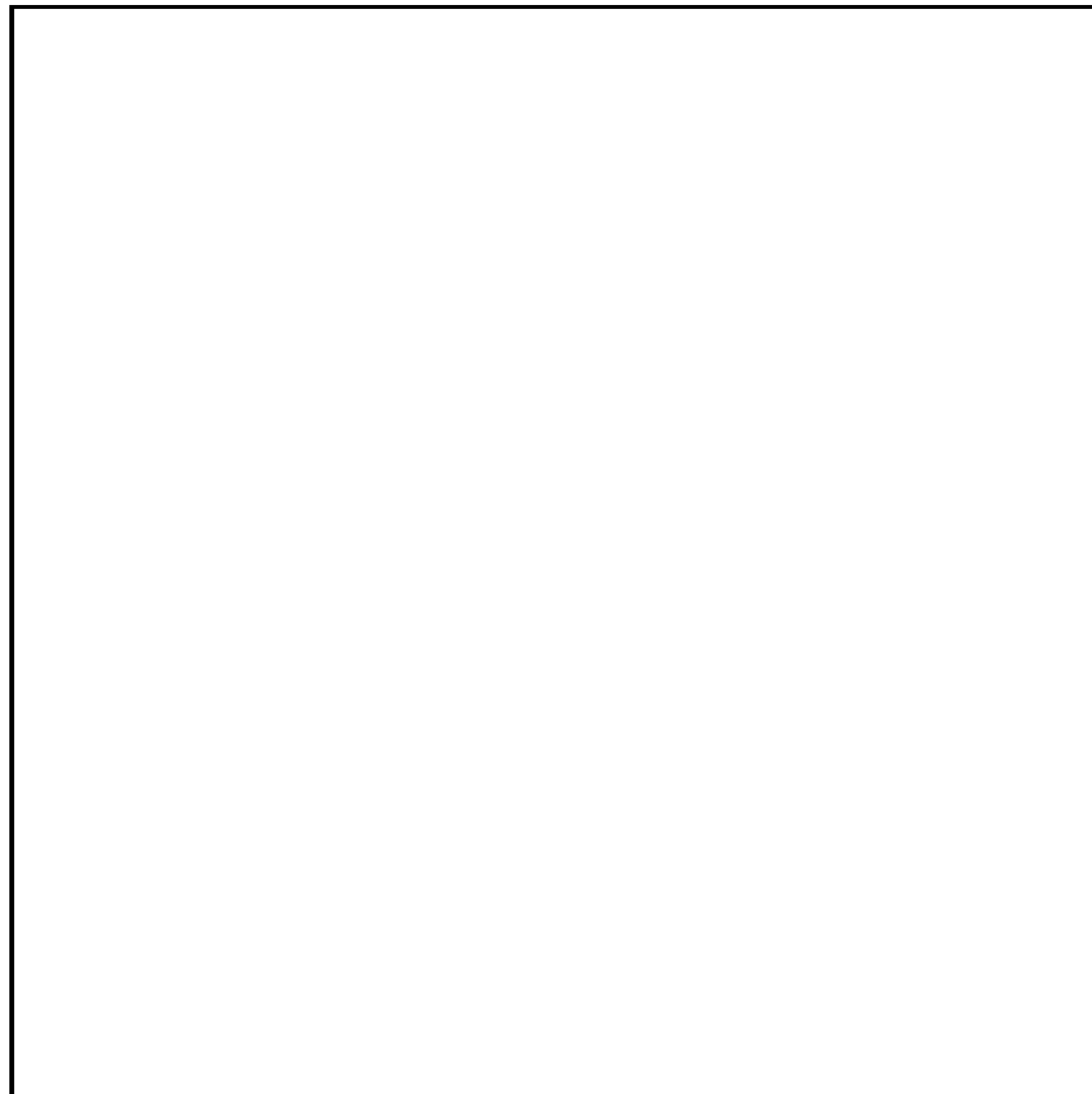
**FIG. 1**



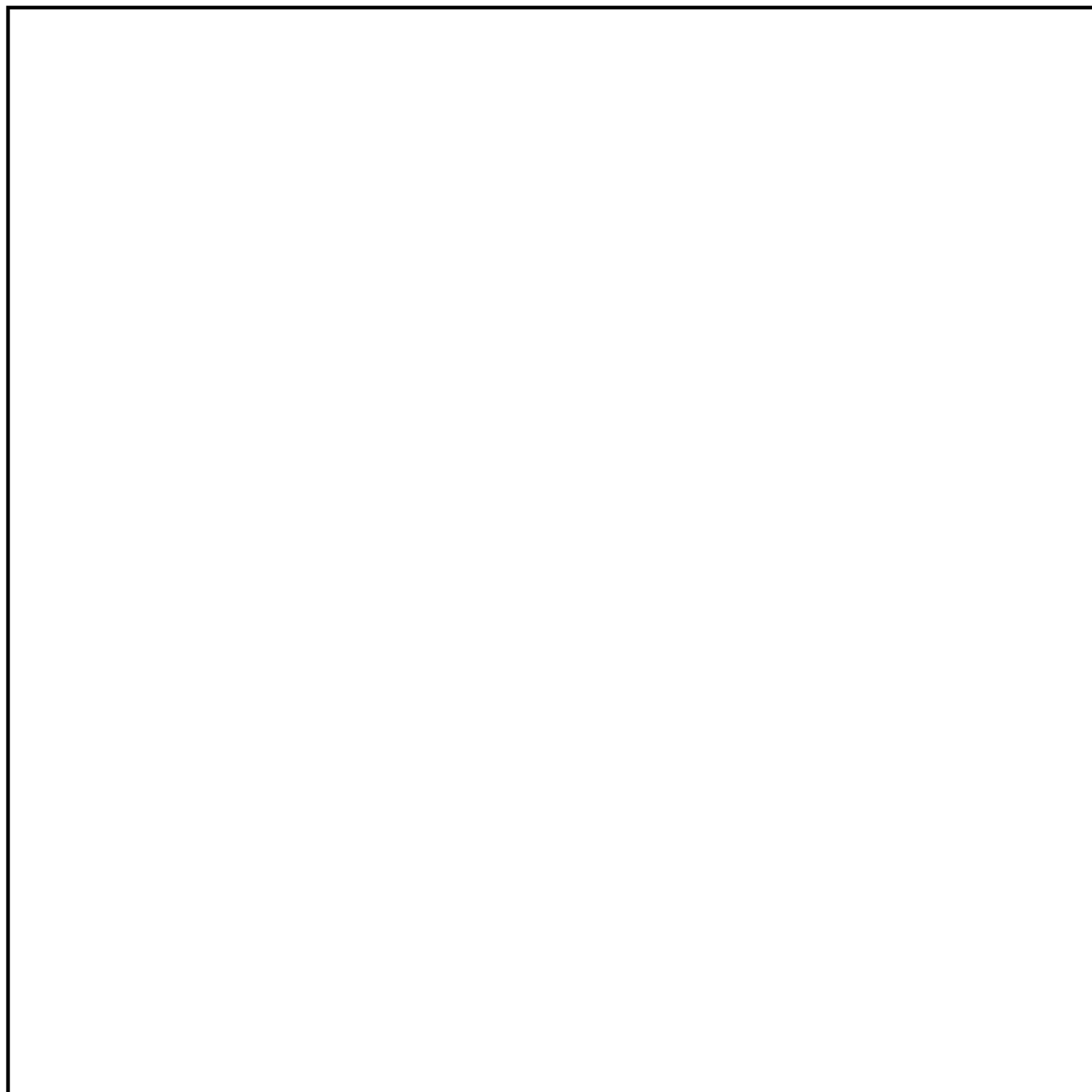
**FIG. 2**



**FIG. 3**



**FIG. 4**



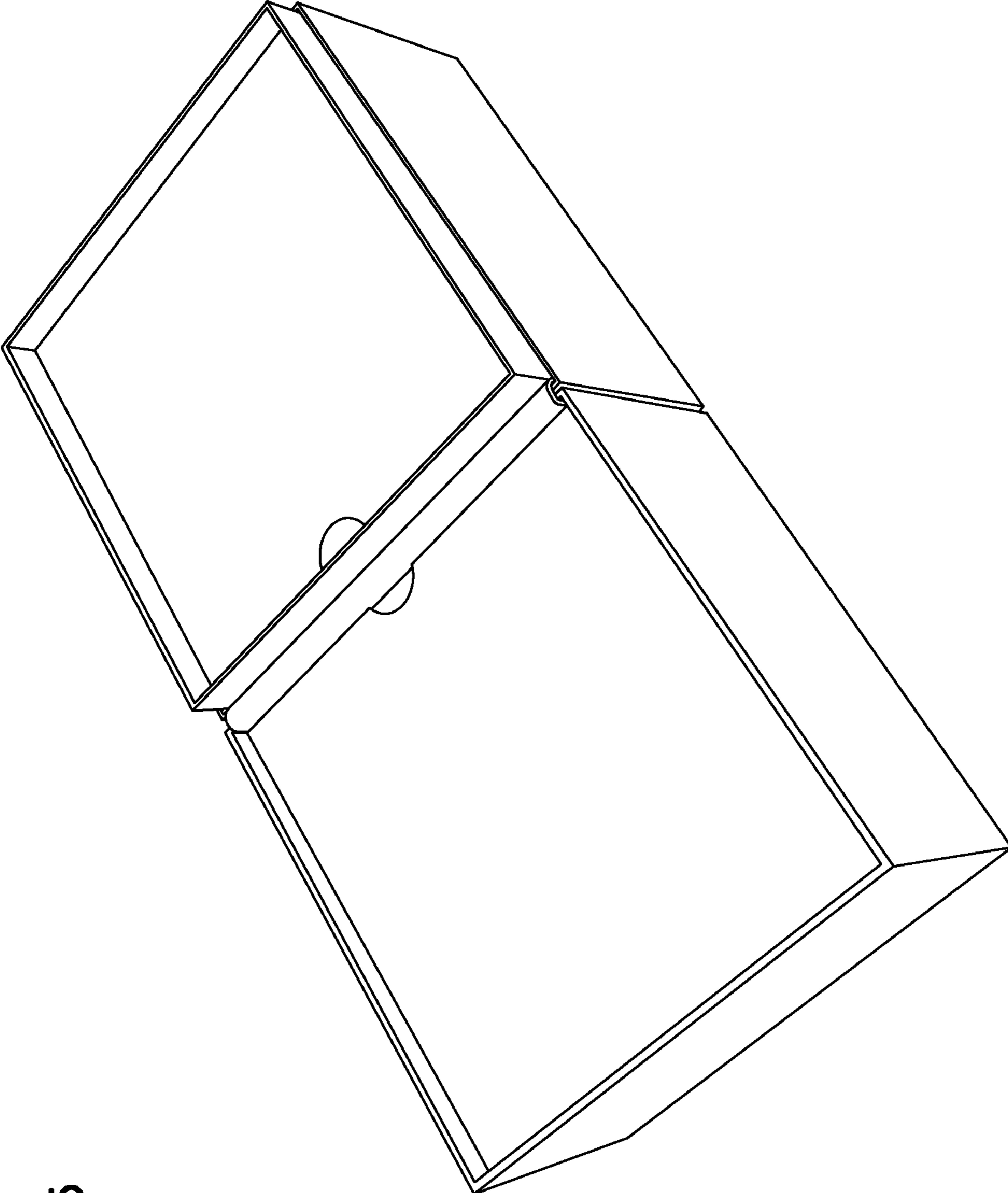


FIG. 5

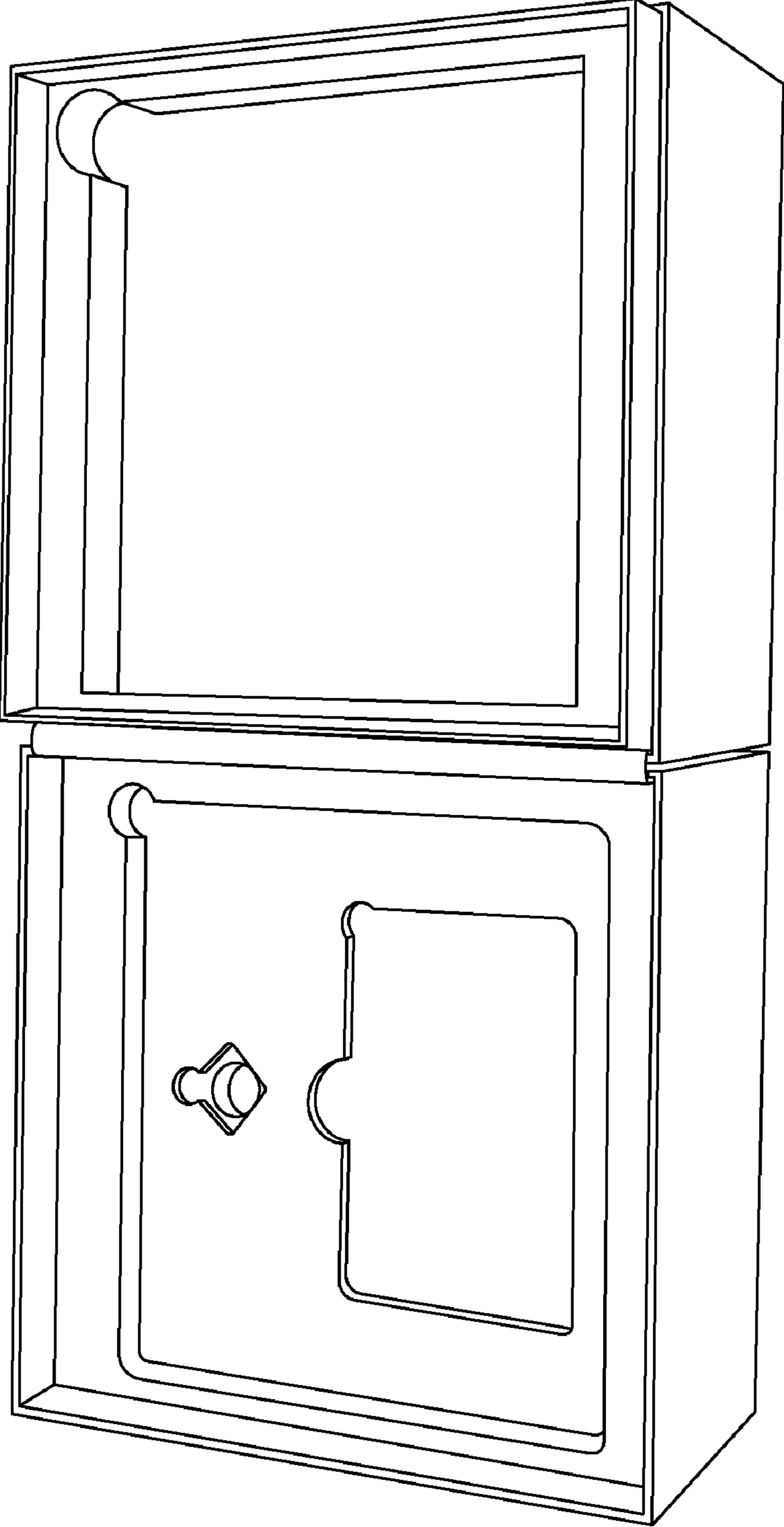


FIG. 6



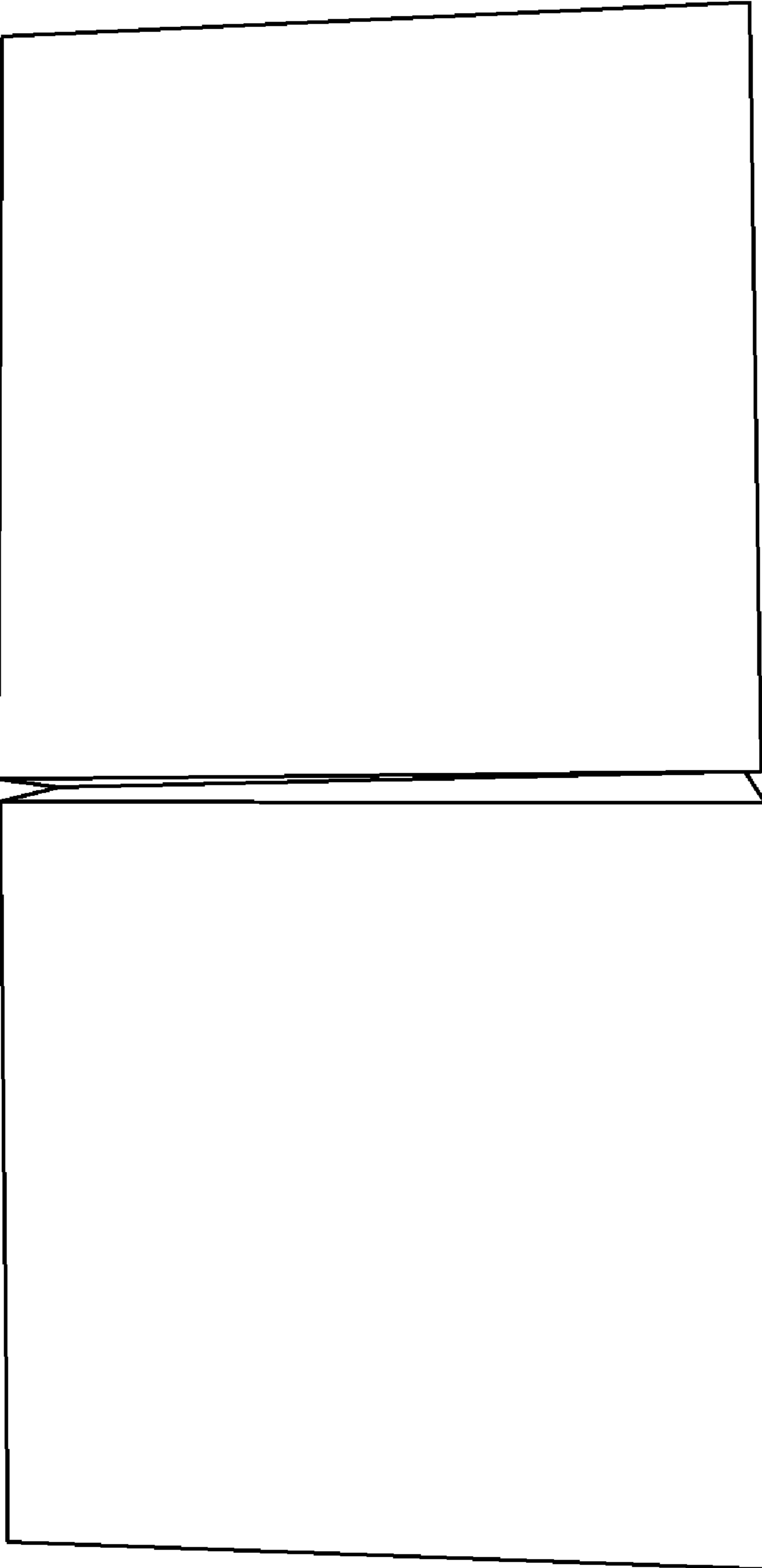


FIG. 7

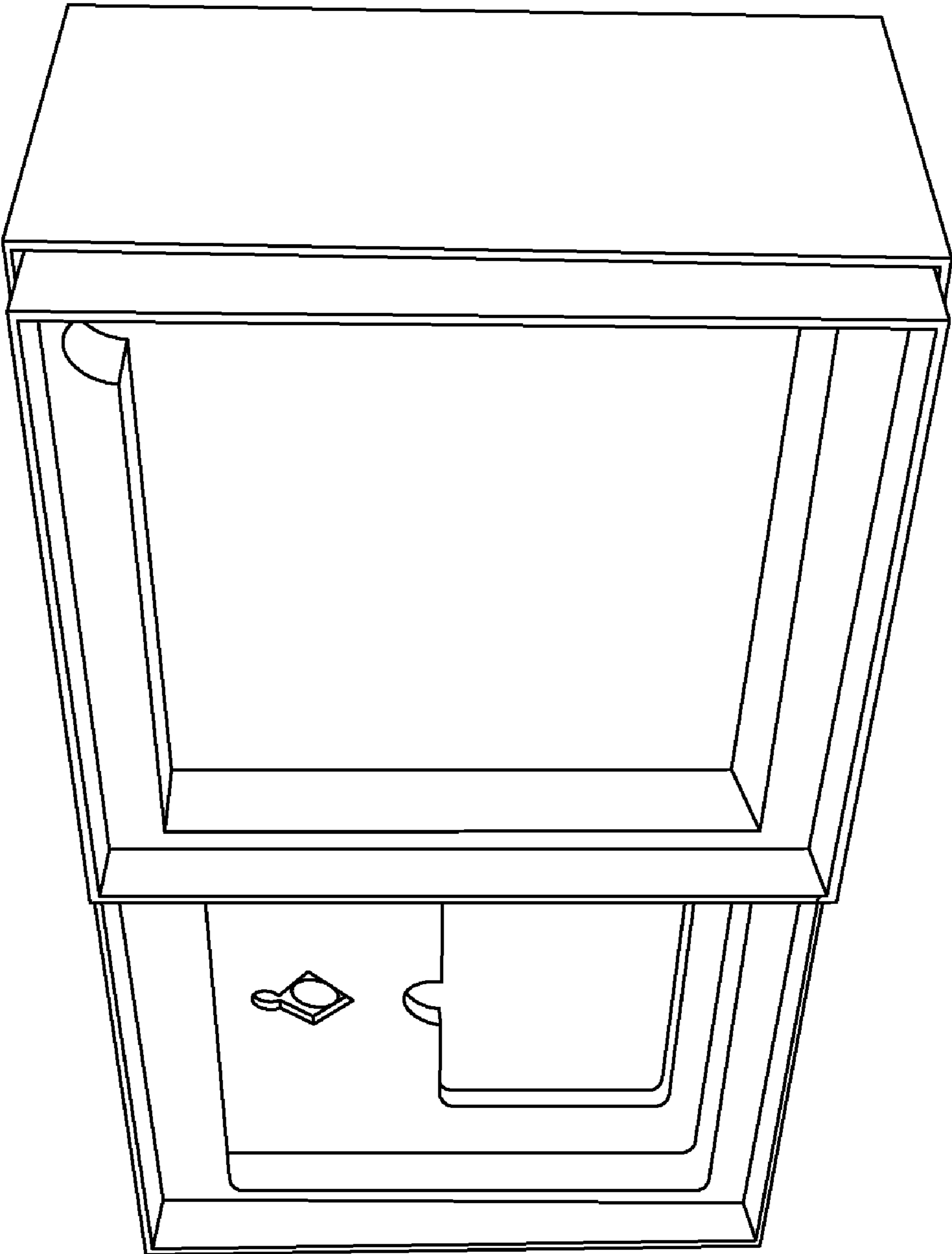


FIG. 8

FIG. 9

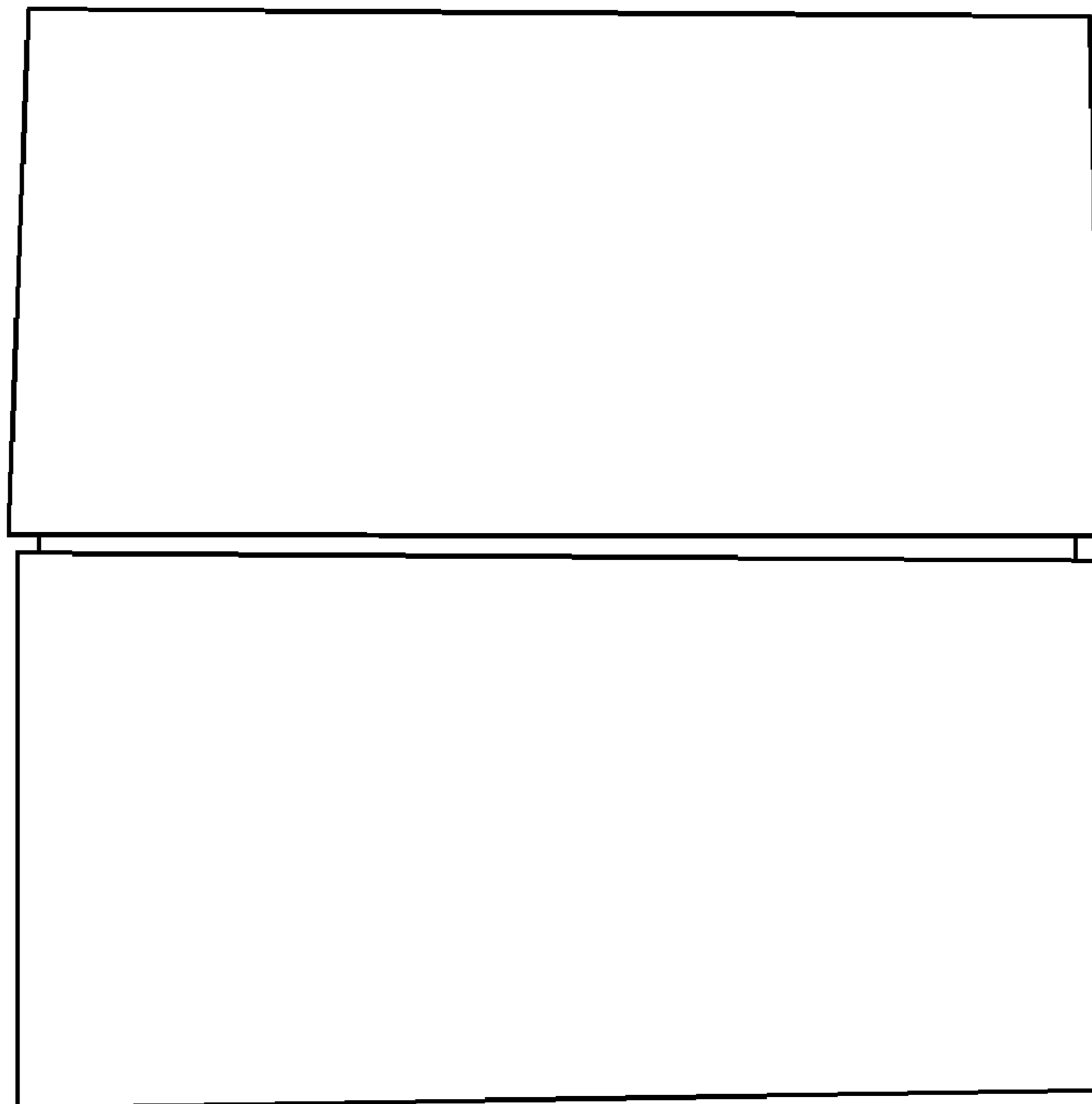


FIG. 10

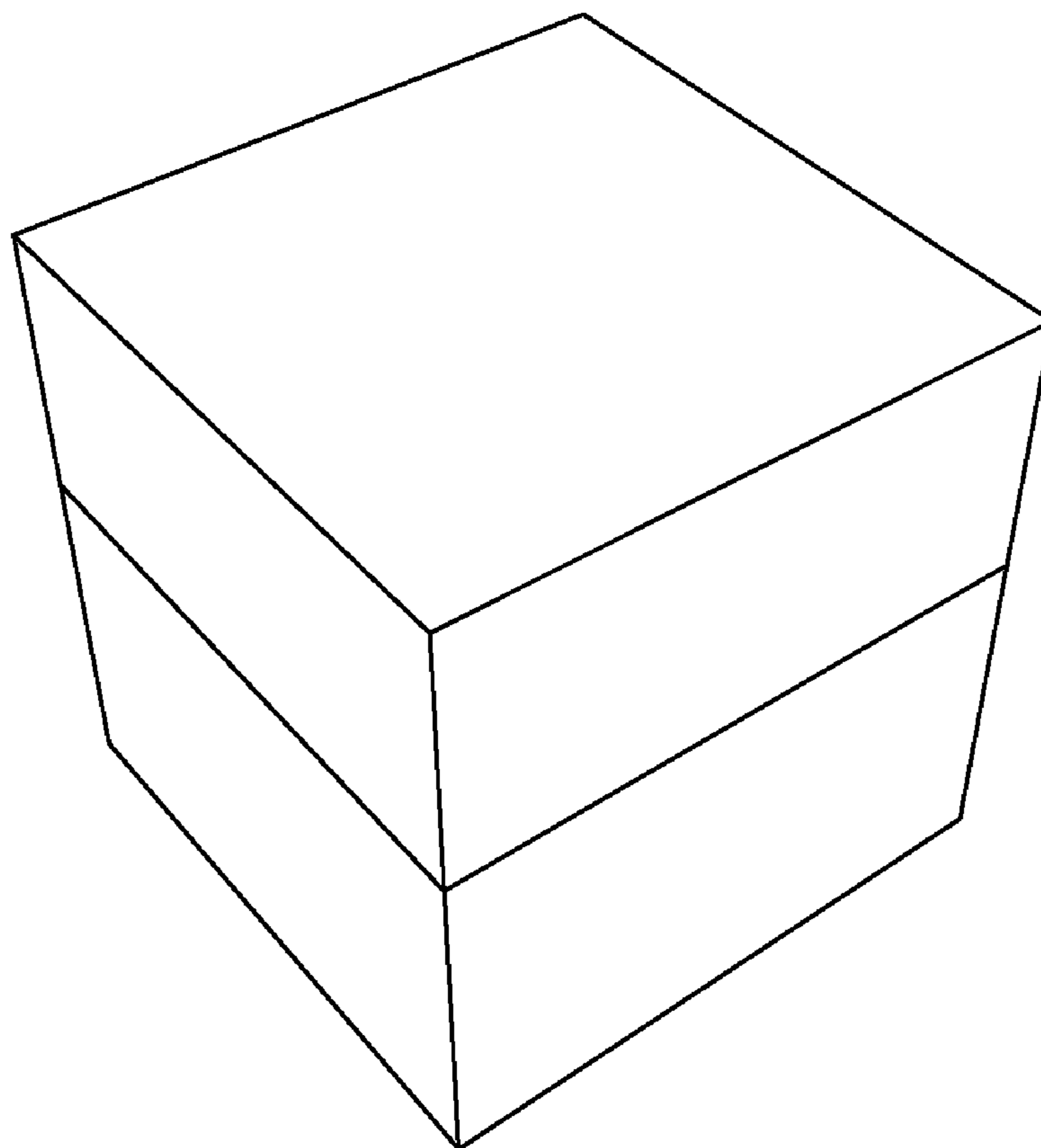
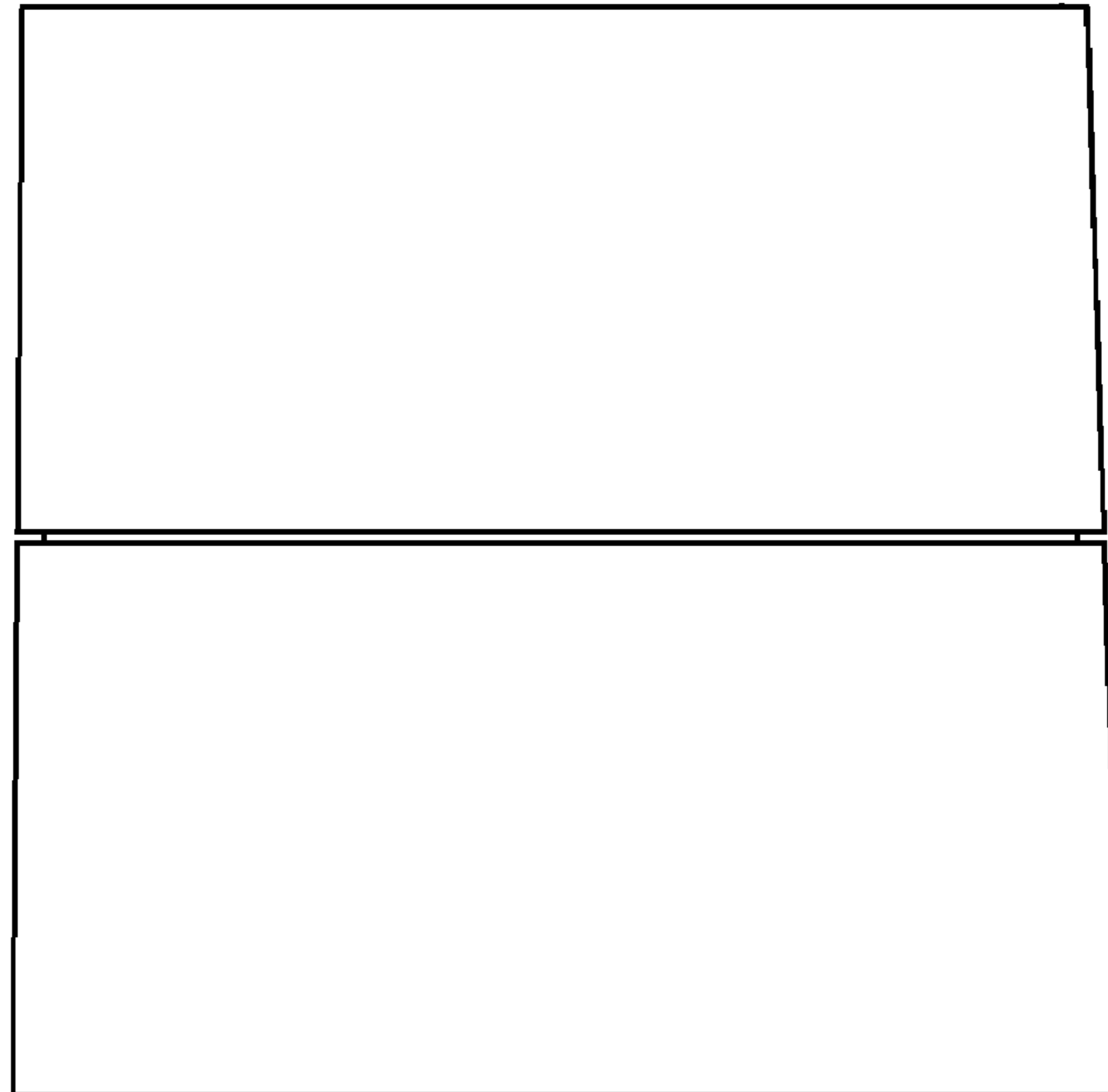


FIG. 11



**FIG. 12**

