



US00D590703S

(12) **United States Design Patent**
Suehiro et al.

(10) **Patent No.:** **US D590,703 S**

(45) **Date of Patent:** **** Apr. 21, 2009**

(54) **LINER WITH AN ANCHOR**

(75) Inventors: **Morio Suehiro**, Osaka (JP); **Hiroyuki Suehiro**, Osaka (JP)

(73) Assignee: **Suehiro-System Co., Ltd.**, Osaka (JP)

(**) Term: **14 Years**

(21) Appl. No.: **29/250,492**

(22) Filed: **Nov. 17, 2006**

(51) **LOC (9) Cl.** **08-08**

(52) **U.S. Cl.** **D8/387**

(58) **Field of Classification Search** 411/378,
411/393, 402, 403, 6, 7; D8/393, 387
See application file for complete search history.

(56) **References Cited**

U.S. PATENT DOCUMENTS

D229,481	S	*	12/1973	O'Donnell	D8/387
D397,030	S	*	8/1998	Lawson	D8/387
5,795,116	A	*	8/1998	Frank et al.	411/6
D407,302	S	*	3/1999	Lawson	D8/387
D415,016	S	*	10/1999	Murguia	D8/387
D418,048	S	*	12/1999	Chan	D8/387
D426,146	S	*	6/2000	Bruns et al.	D8/387

D455,338	S	*	4/2002	Moser	D8/387
D491,452	S	*	6/2004	Siemers	D8/382
6,802,680	B1	*	10/2004	Rubenstein	411/7
7,160,630	B2	*	1/2007	Klos	428/658
D563,216	S	*	3/2008	Suehiro et al.	D8/387
D573,877	S	*	7/2008	Vautour	D8/387

* cited by examiner

Primary Examiner—Holly H Baynham

Assistant Examiner—Sheryl Lane

(74) *Attorney, Agent, or Firm*—Oliff & Berridge PLC

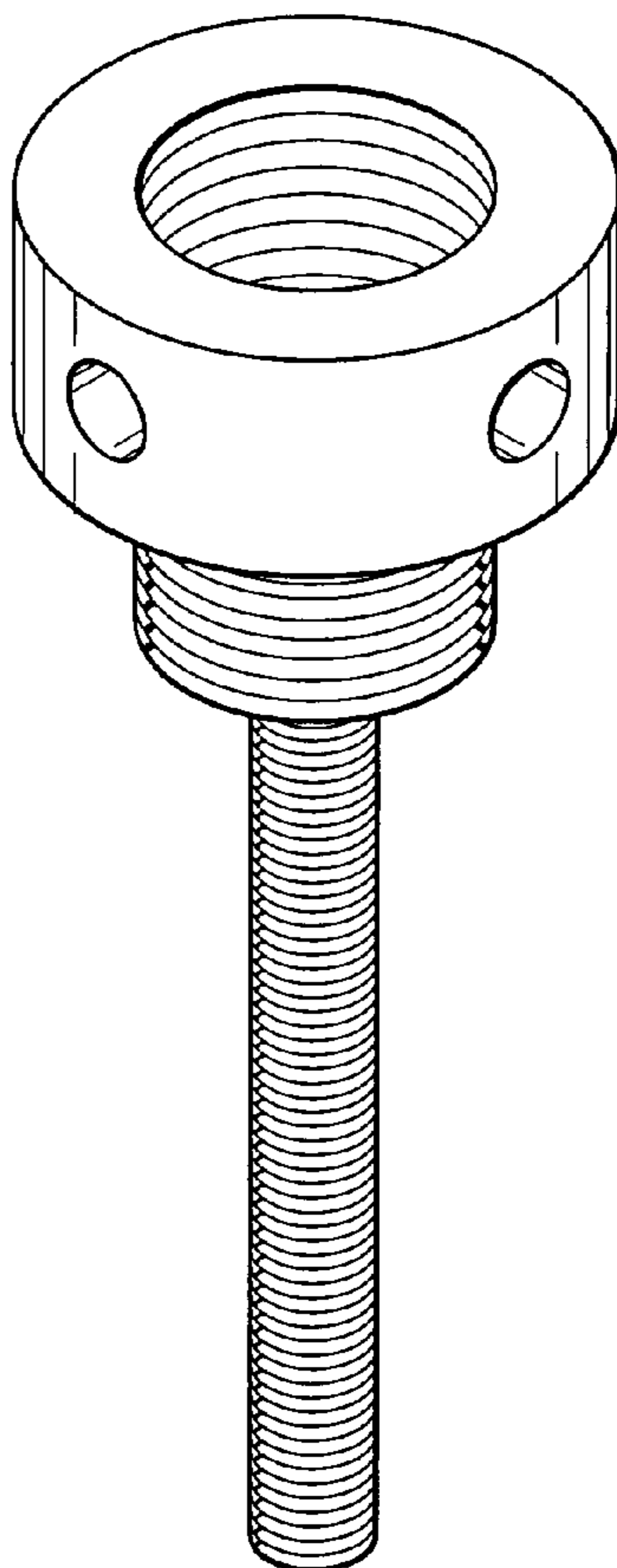
(57) **CLAIM**

The ornamental design for a liner with an anchor, as shown and described.

DESCRIPTION

FIG. 1 is a front view of a liner with an anchor;
FIG. 2 is a left side view of the liner with an anchor thereof;
FIG. 3 is a right side view of the liner with an anchor thereof;
FIG. 4 is a plan view of the liner with an anchor thereof; and,
FIG. 5 is a top perspective view of the liner with an anchor showing my design, rotated 45 degrees with respect to FIG. 1.

1 Claim, 2 Drawing Sheets



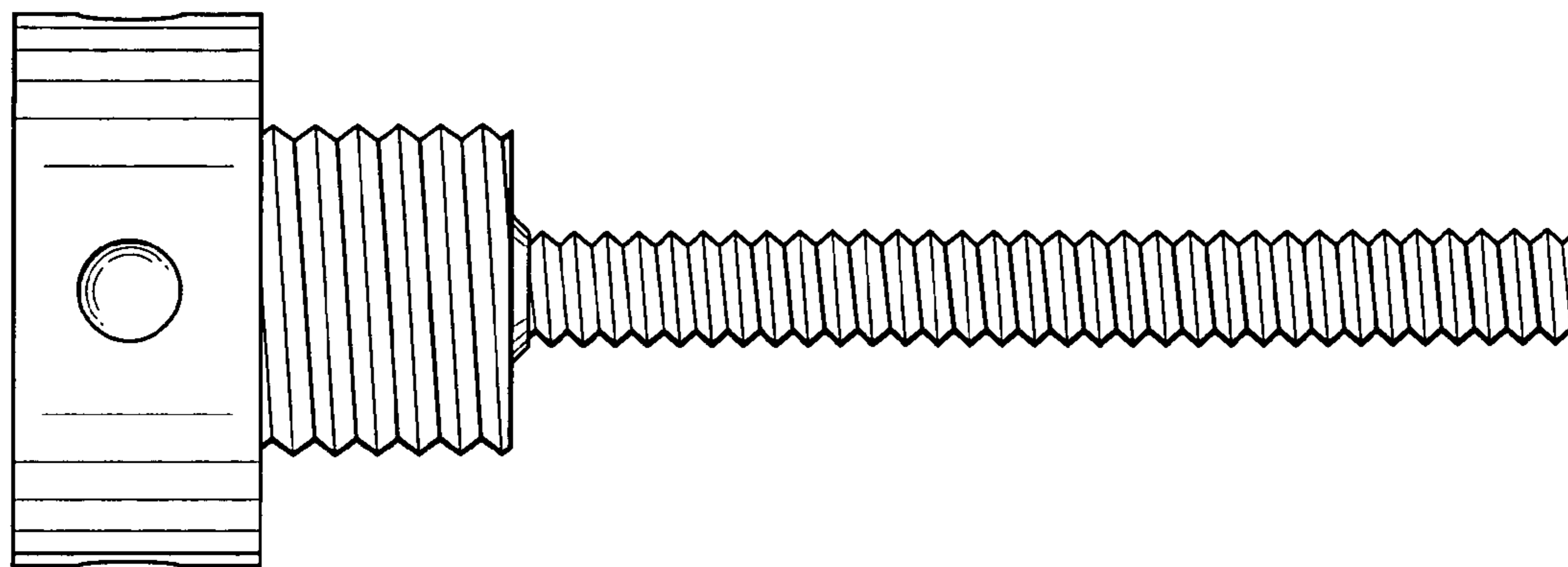


FIG. 1

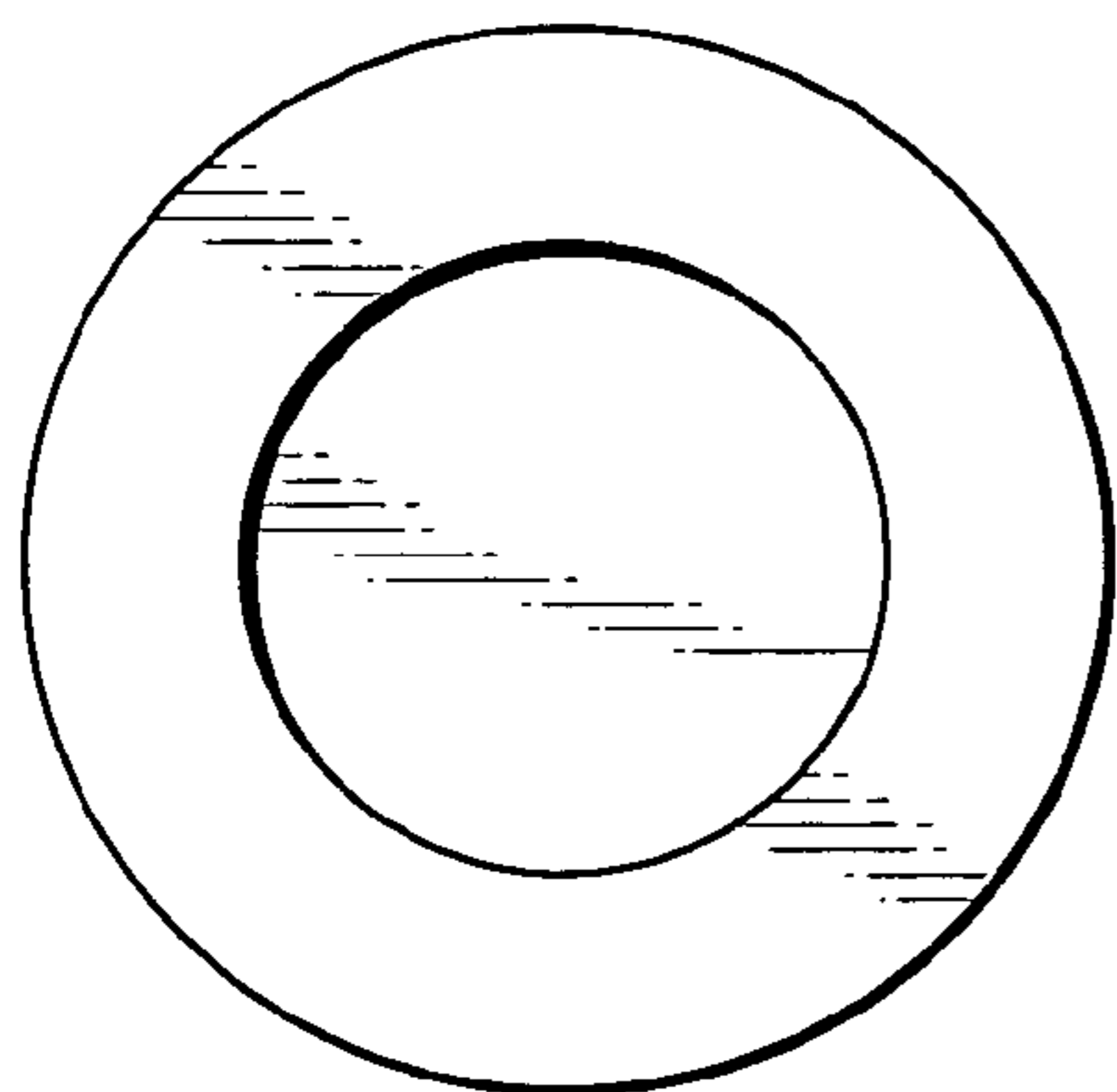


FIG. 2

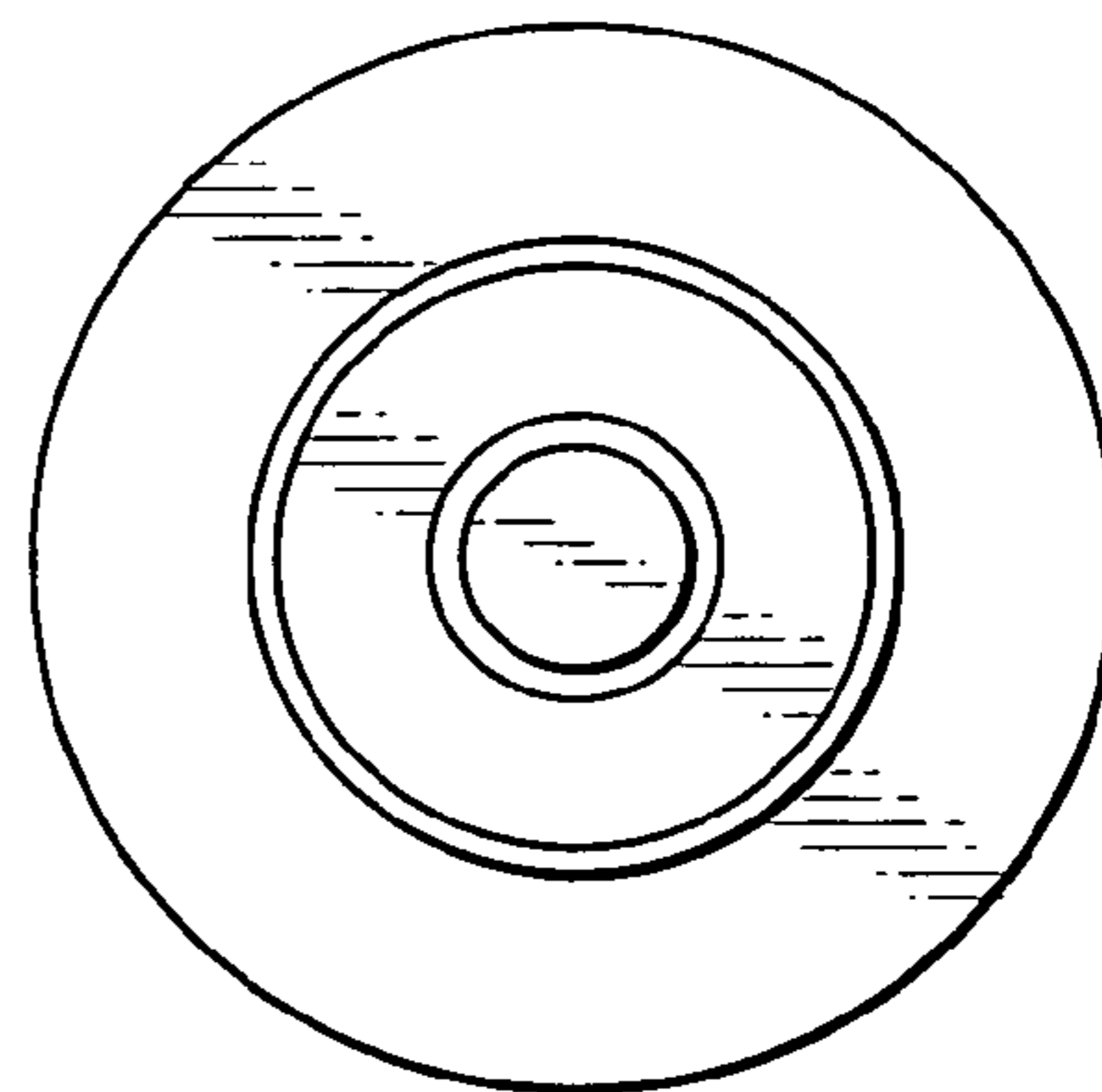


FIG. 3

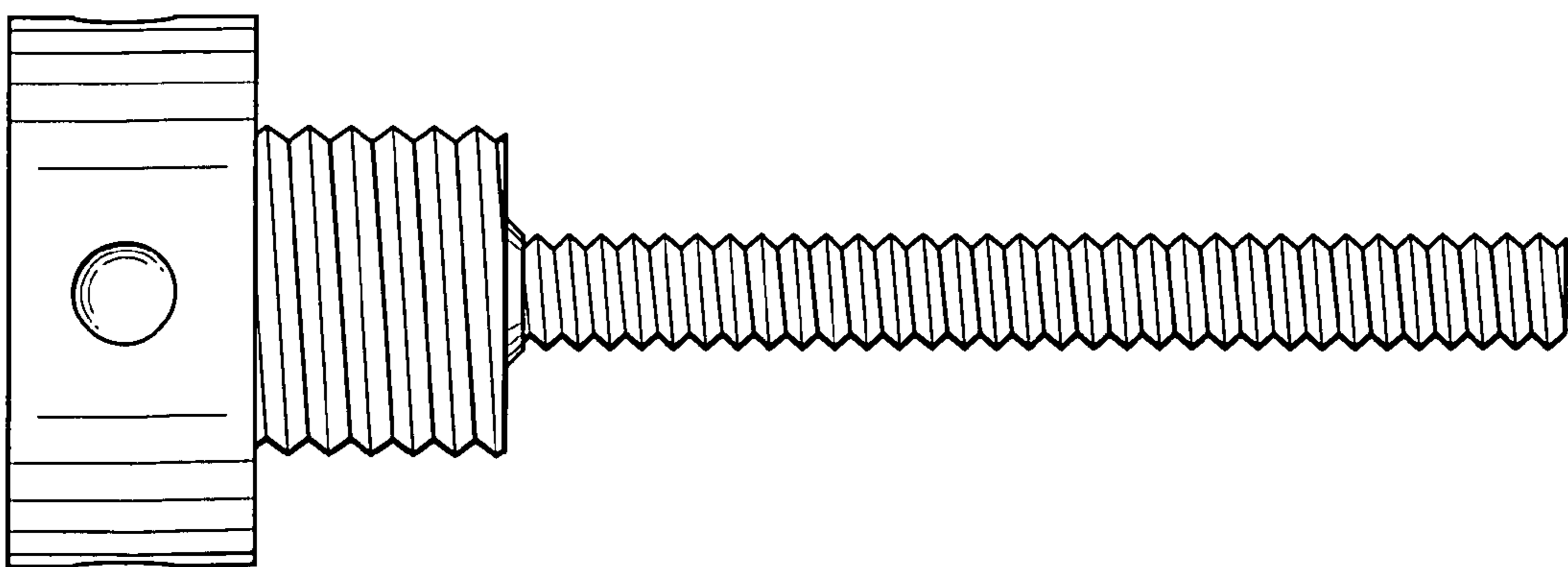


FIG. 4

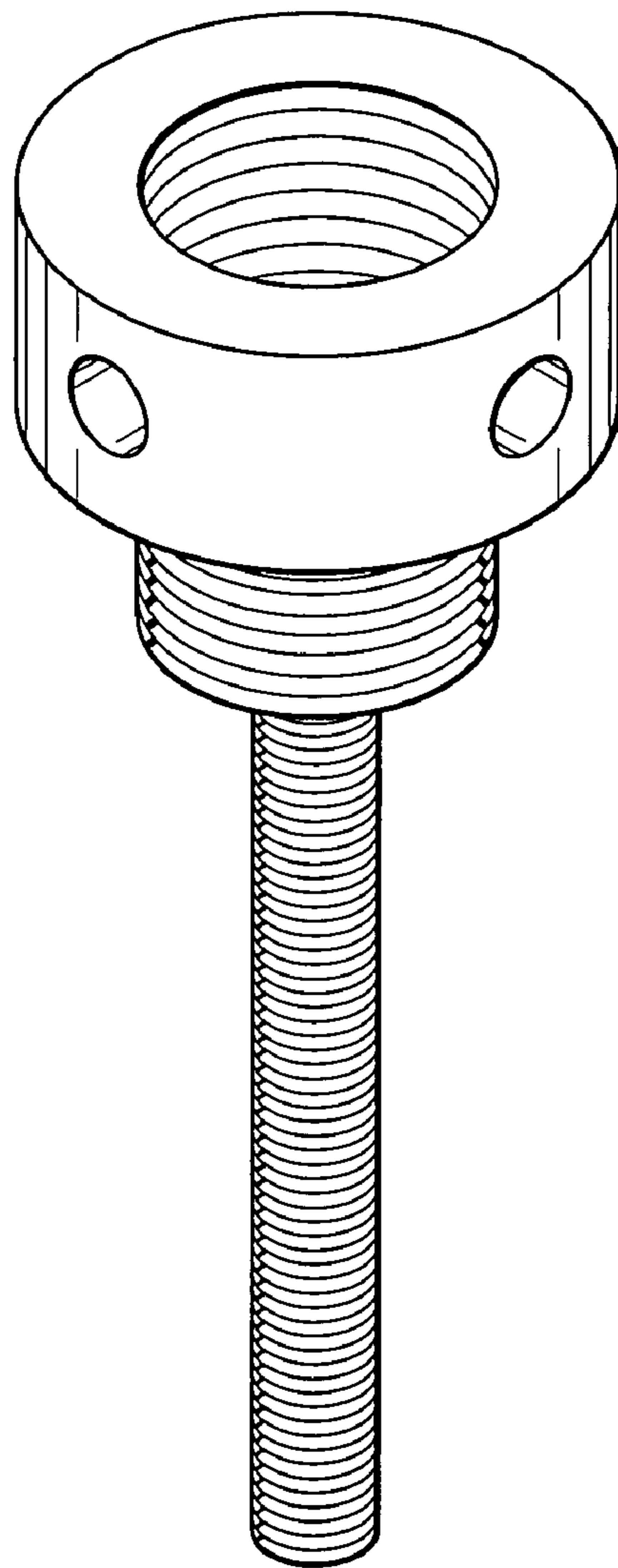


FIG. 5