



US00D590702S

(12) **United States Design Patent**
Giddings

(10) **Patent No.:** **US D590,702 S**

(45) **Date of Patent:** **** Apr. 21, 2009**

(54) **FASTENER MEMBER**

(75) Inventor: **Brian Giddings**, Bournemouth (GB)

(73) Assignee: **Bighead Bonding Fasteners Limited**,
Dorset (GB)

(**) Term: **14 Years**

(21) Appl. No.: **29/300,291**

(22) Filed: **Mar. 10, 2008**

(30) **Foreign Application Priority Data**

Sep. 28, 2007 (EM) 000802186

(51) **LOC (9) Cl.** **08-08**

(52) **U.S. Cl.** **D8/382**

(58) **Field of Classification Search** D8/382;
403/300, 305, 306, 205, 312, 388, 217, 169,
403/170, 173, 174; D23/262, 263
See application file for complete search history.

(56) **References Cited**

U.S. PATENT DOCUMENTS

2,246,722 A * 6/1941 Del Camp 439/552
2,300,292 A * 10/1942 Jones 24/681
2,481,325 A * 9/1949 Miller 411/521
D257,321 S * 10/1980 Voorhees, Jr. D8/356

D284,263 S * 6/1986 Resan D8/382
D284,264 S * 6/1986 Resan D8/382
D284,265 S * 6/1986 Resan D8/382
D284,266 S * 6/1986 Resan D8/382
6,330,724 B1 * 12/2001 Belle 4/288
D462,256 S * 9/2002 Jaynes D8/382
D534,064 S * 12/2006 Gimpel et al. D8/382

* cited by examiner

Primary Examiner—Holly H Baynham

Assistant Examiner—Sheryl Lane

(74) *Attorney, Agent, or Firm*—Mattingly, Stanger, Malur &
Brundidge, P.C.

(57) **CLAIM**

The ornamental design for a fastener member, as shown and described.

DESCRIPTION

FIG. 1 is a front elevational view of a fastener member showing the design;

FIG. 2 is a back elevational view thereof;

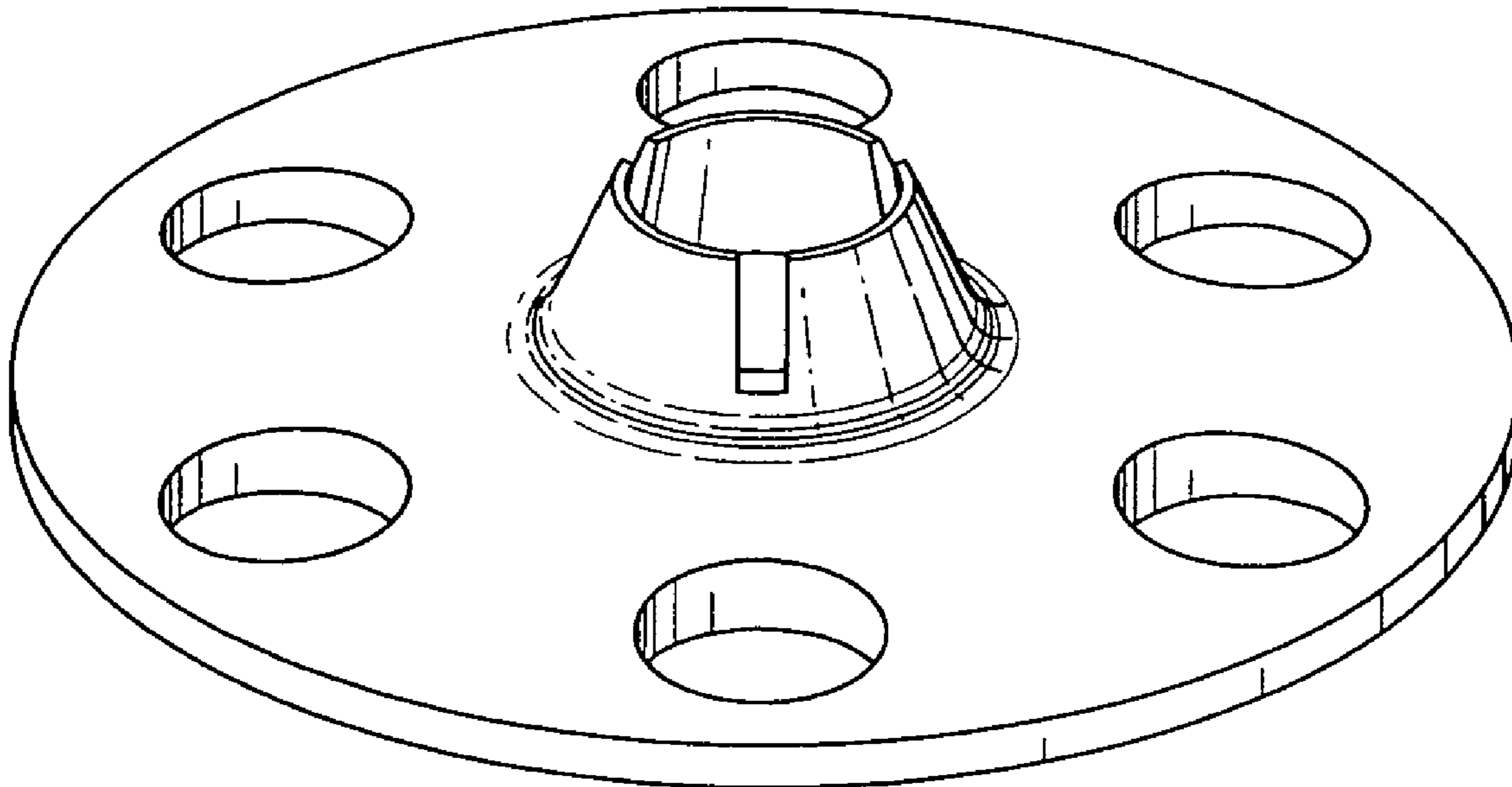
FIG. 3 is a top plan view thereof;

FIG. 4 is a bottom plan view thereof;

FIG. 5 is a front perspective view thereof; and,

FIG. 6 is a bottom perspective view thereof.

1 Claim, 3 Drawing Sheets



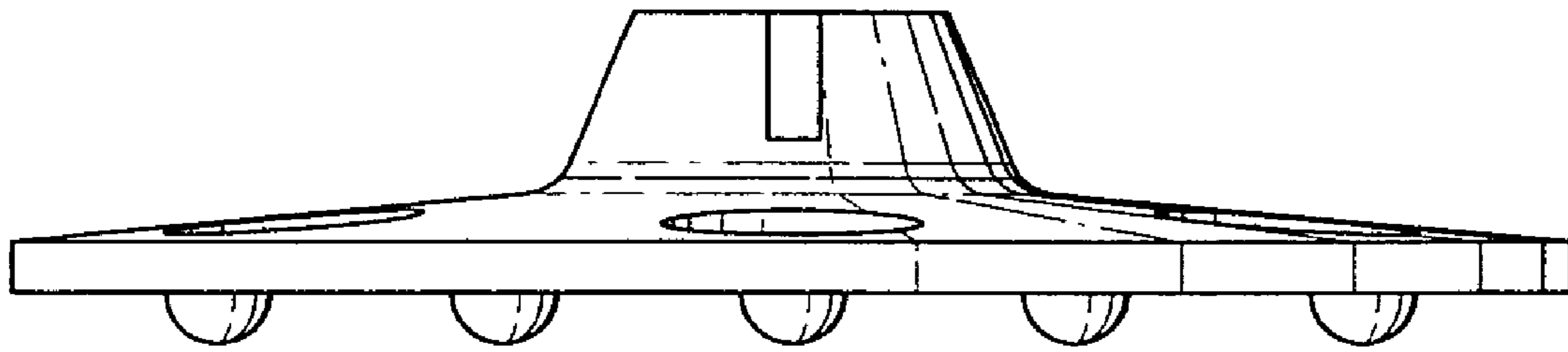


FIG. 1

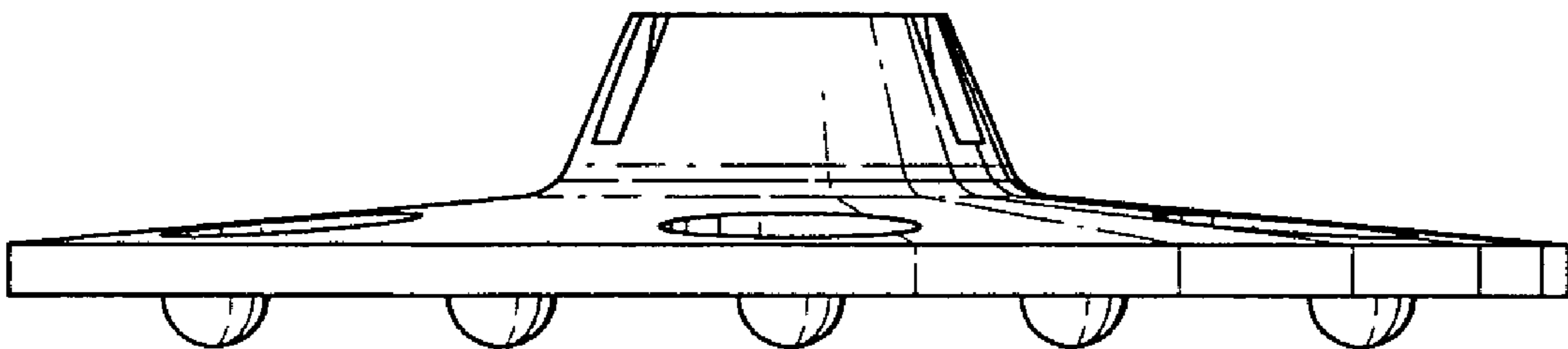


FIG. 2

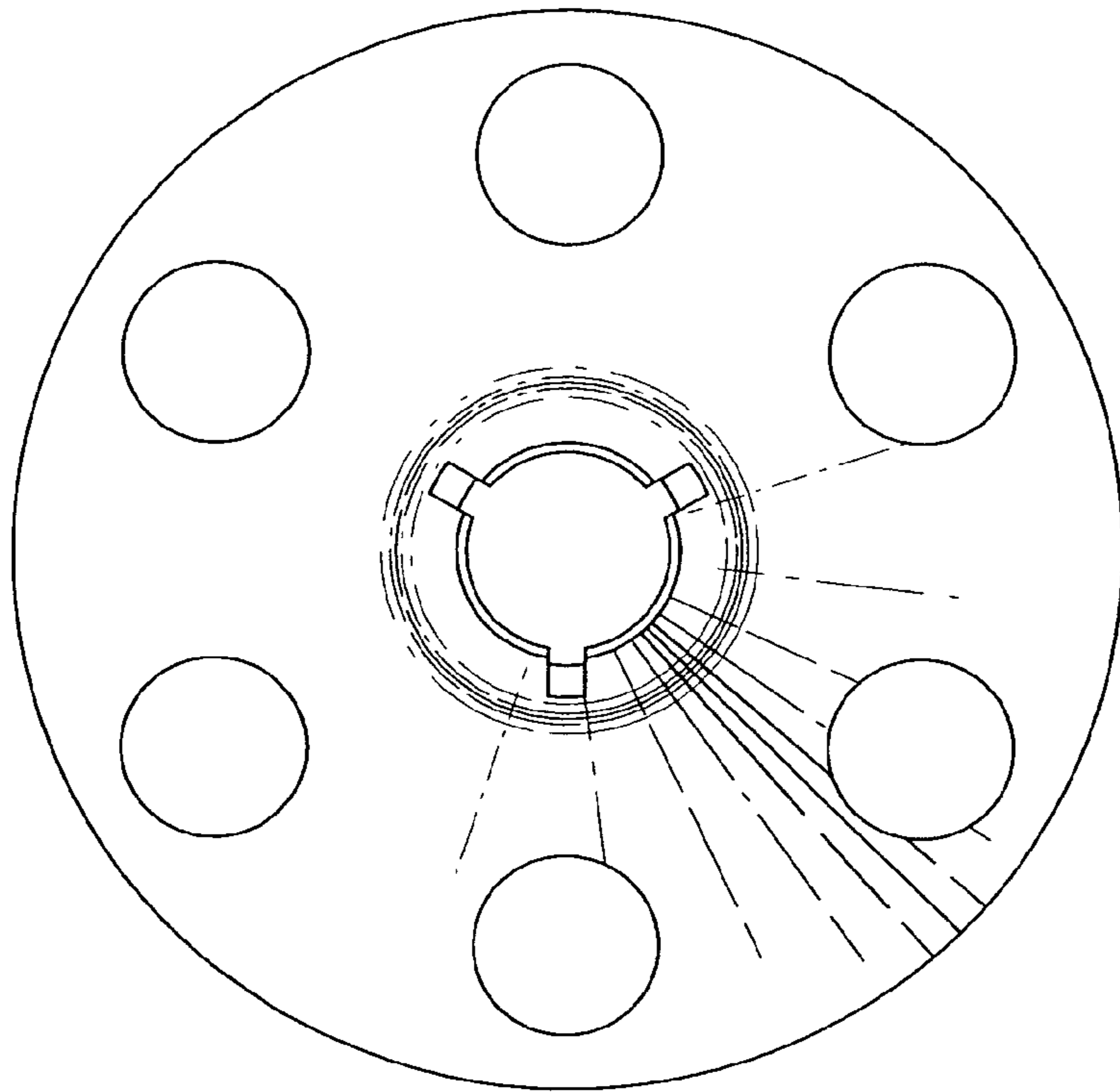


FIG. 3

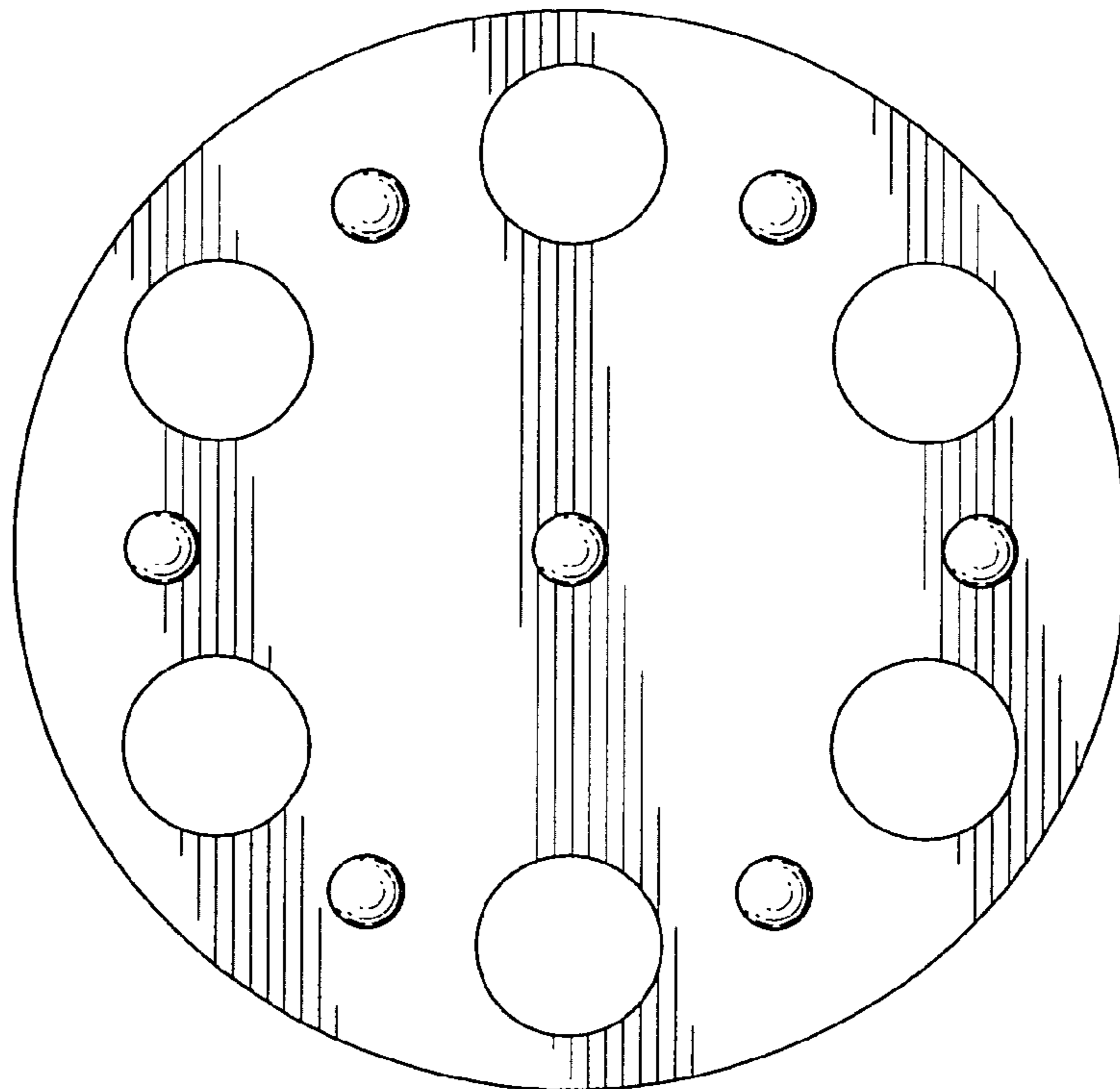


FIG. 4

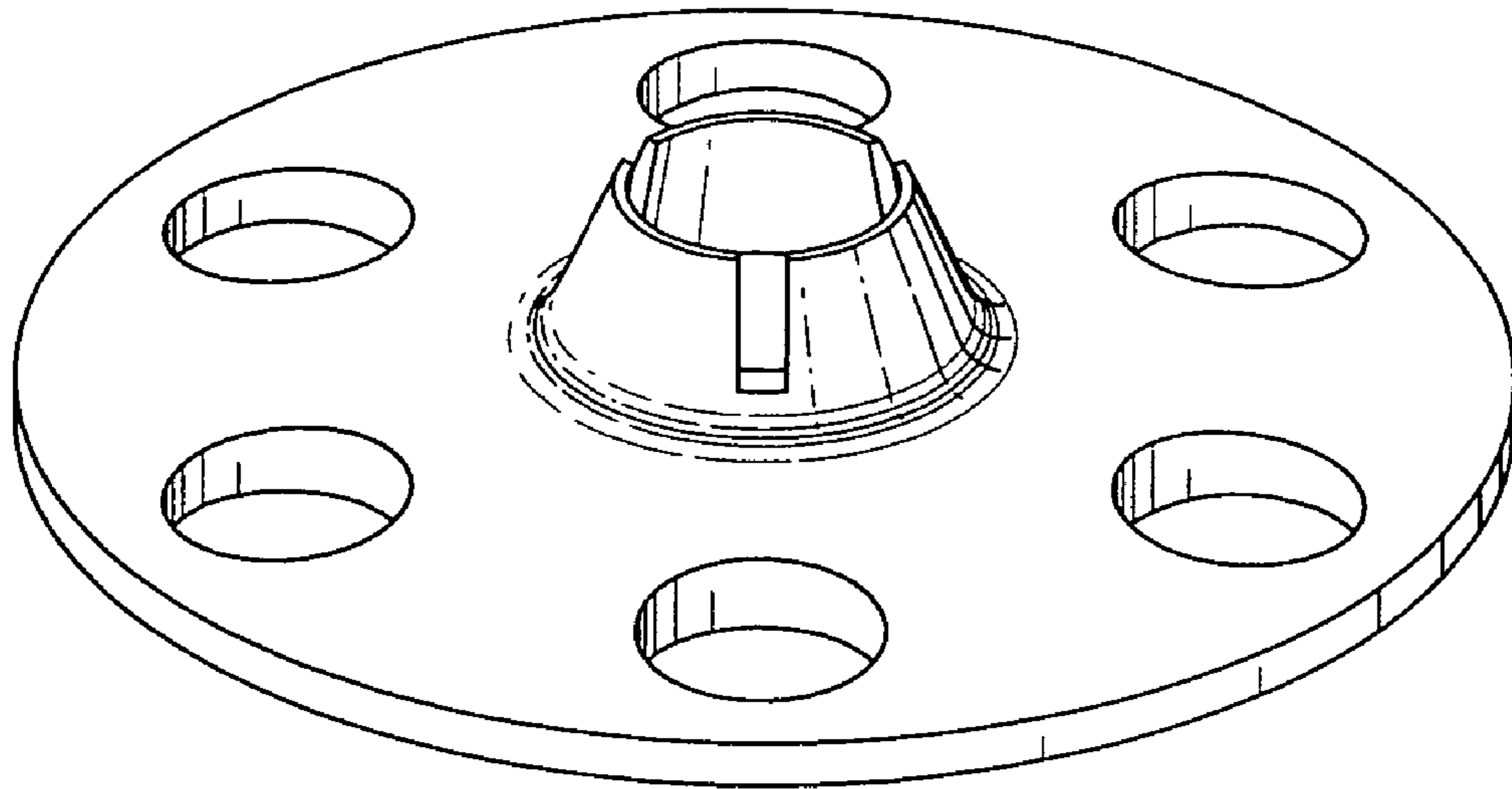


FIG . 5

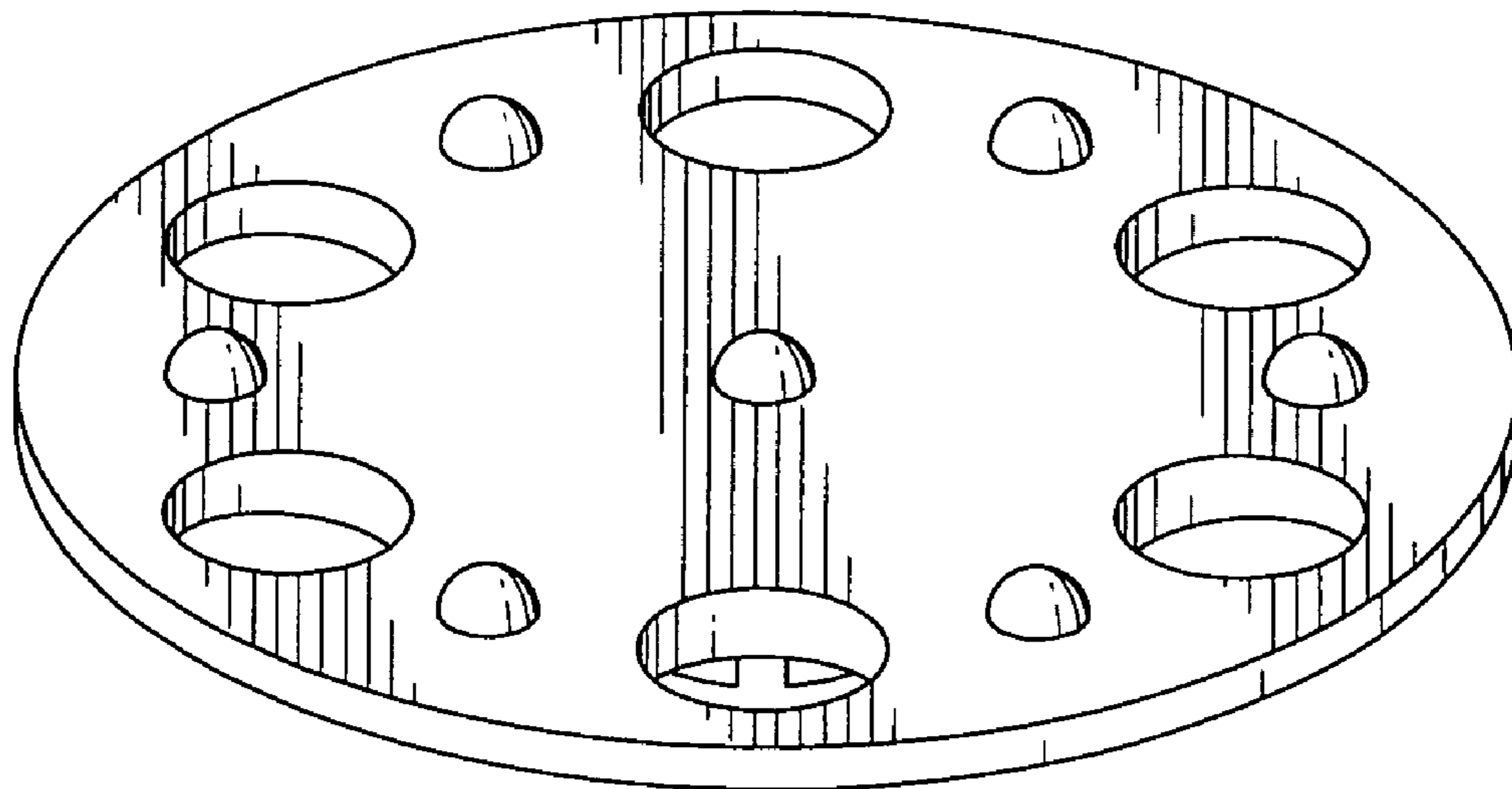


FIG . 6