



US00D590701S

(12) **United States Design Patent**
Hockman et al.

(10) **Patent No.:** **US D590,701 S**

(45) **Date of Patent:** **** Apr. 21, 2009**

(54) **CONNECTION SHIELD**

(75) Inventors: **Bryan Q. Hockman**, Lafayette, IN (US);
Thomas E. Silvers, Lafayette, IN (US)

(73) Assignee: **Caterpillar Inc.**, Peoria, IL (US)

(**) Term: **14 Years**

(21) Appl. No.: **29/291,155**

(22) Filed: **Aug. 16, 2007**

(51) **LOC (9) Cl.** **08-08**

(52) **U.S. Cl.** **D8/382**

(58) **Field of Classification Search** D8/349,
D8/354, 356, 382; D13/133, 146, 147, 154,
D13/156; 403/203, 204, 287-292, 294
See application file for complete search history.

(56) **References Cited**

U.S. PATENT DOCUMENTS

| | | | | |
|--------------|---------|--------------|-------|---------|
| D437,294 S * | 2/2001 | Amin | | D13/156 |
| D447,930 S * | 9/2001 | Larson | | D8/354 |
| D461,448 S * | 8/2002 | Amin | | D13/133 |
| D511,293 S * | 11/2005 | Anderson | | D8/354 |
| D539,130 S * | 3/2007 | Anderson | | D8/382 |
| D541,826 S | 5/2007 | Brush et al. | | |

* cited by examiner

Primary Examiner—Holly H Baynham

Assistant Examiner—Cynthia M Chin

(74) *Attorney, Agent, or Firm*—Shital A. Shah

(57) **CLAIM**

The ornamental design for a connection shield, as shown and described.

DESCRIPTION

FIG. 1 is a left perspective view of our new design;

FIG. 2 is a left view thereof;

FIG. 3 is a bottom view, the top view being a mirror image thereof;

FIG. 4 is a rear view thereof;

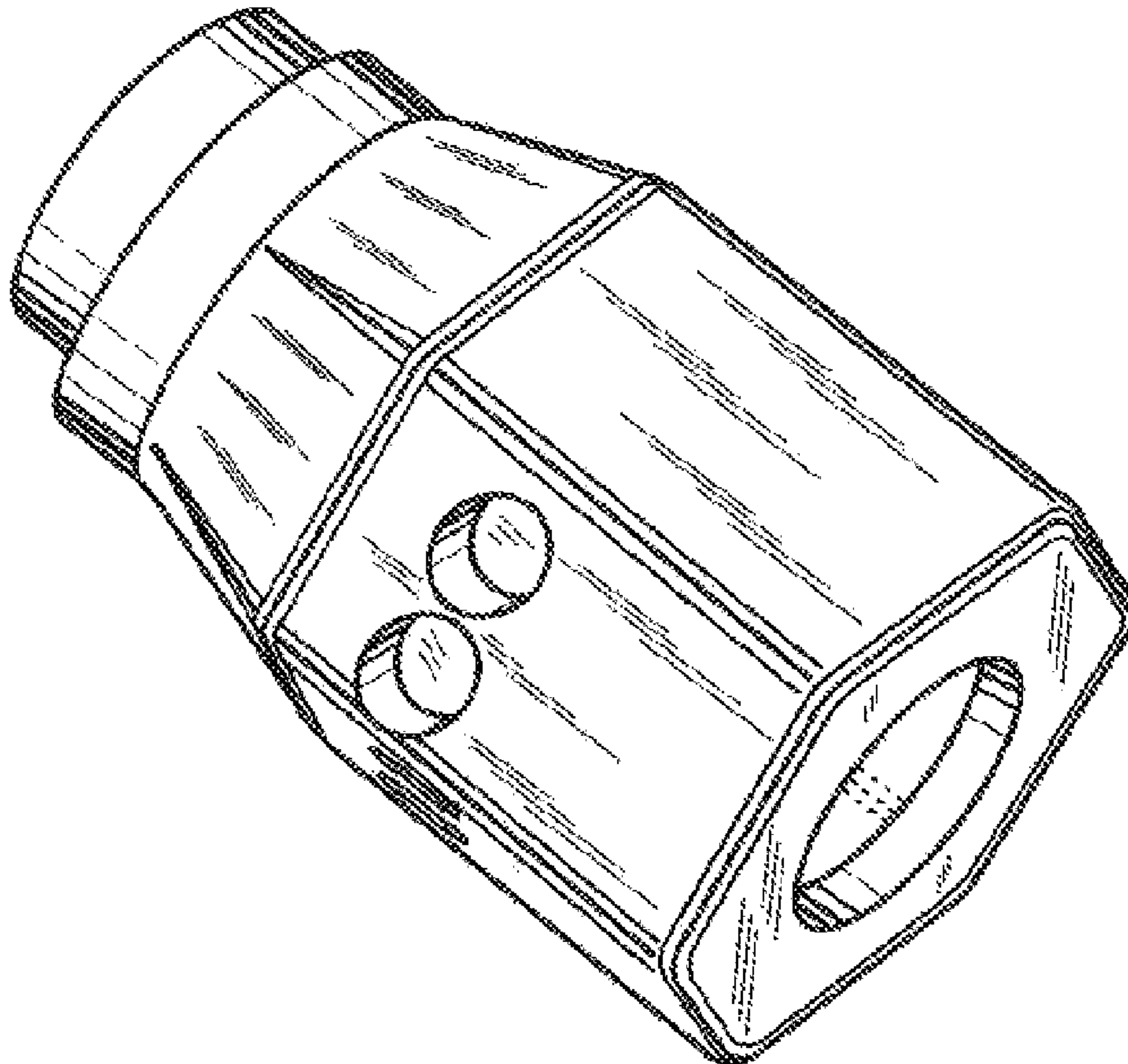
FIG. 5 is a front view thereof;

FIG. 6 is a left view thereof including a clasp mechanism depicted in dashed lines; and,

FIG. 7 is a left perspective view thereof including a clasp mechanism depicted in dashed lines.

The elements depicted in dashed lines form no part of the ornamental design.

1 Claim, 4 Drawing Sheets



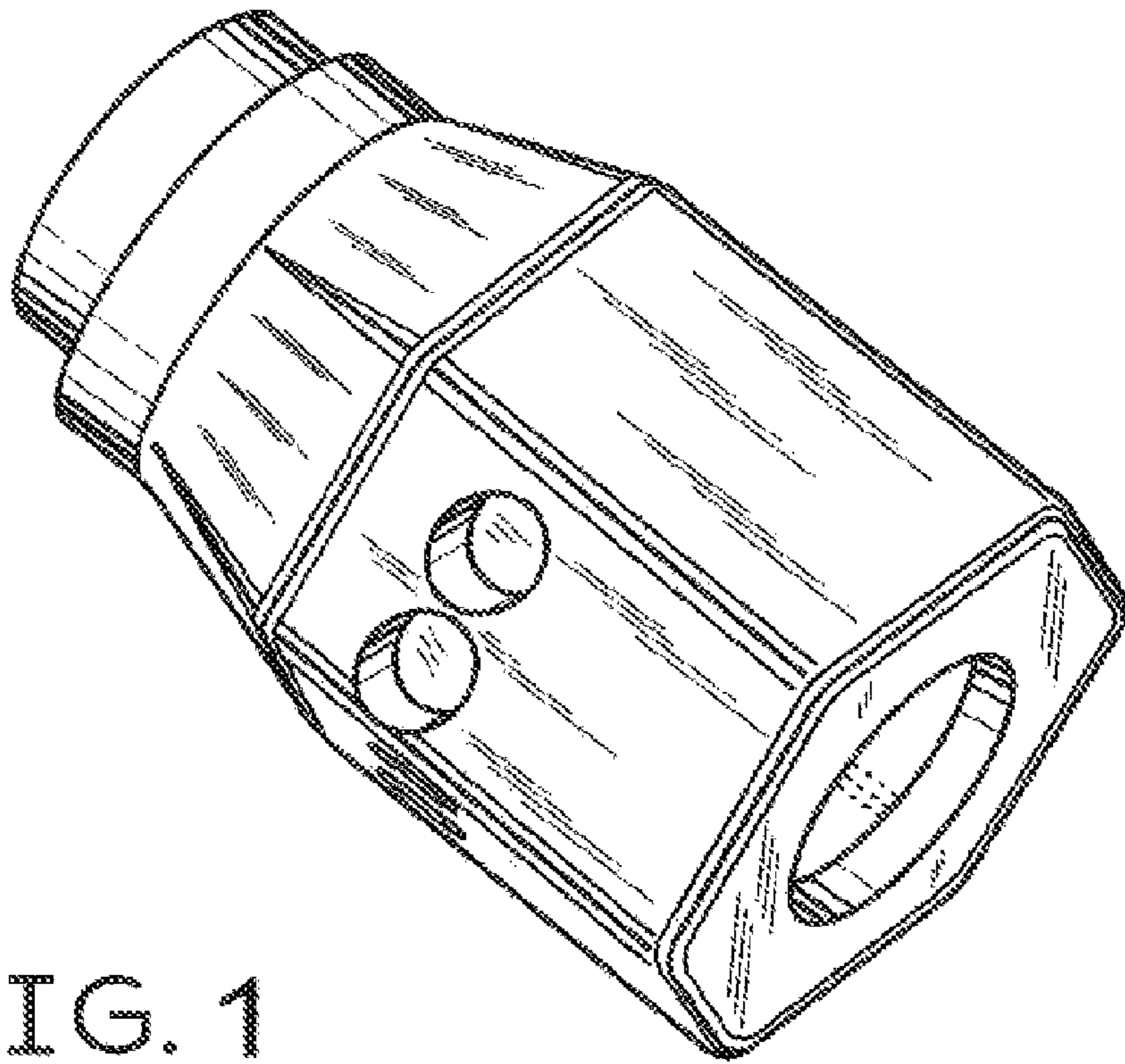


FIG. 1

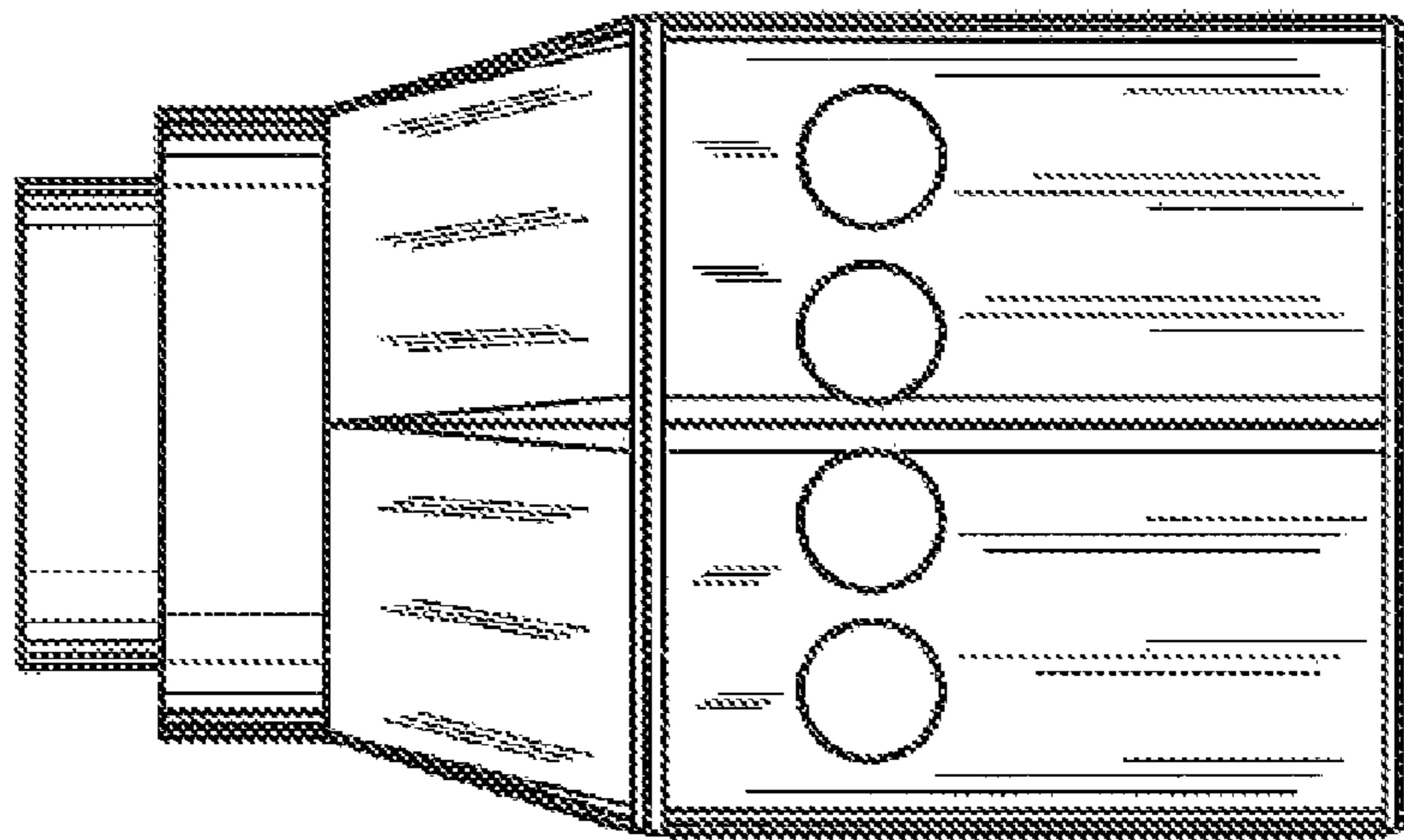
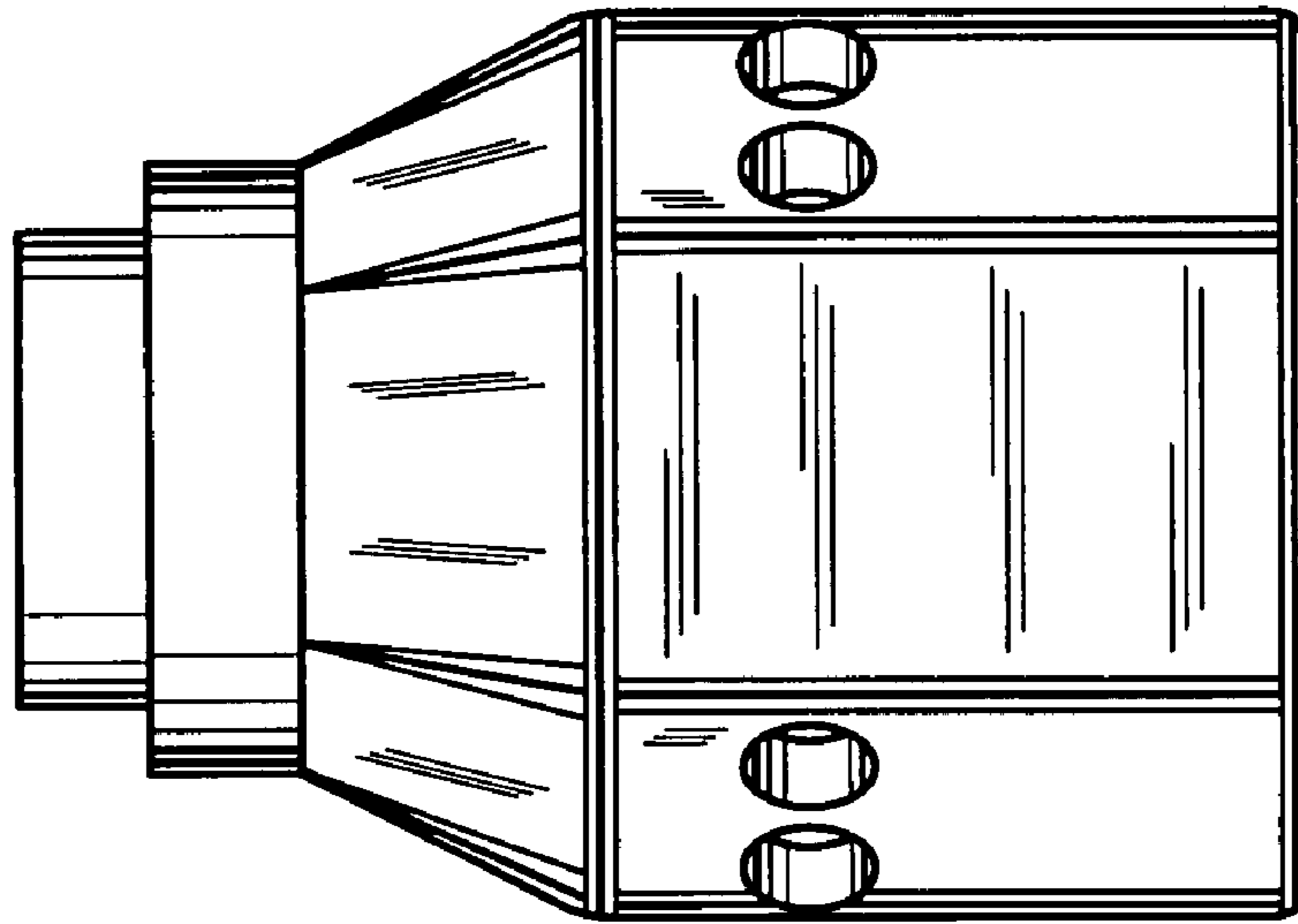
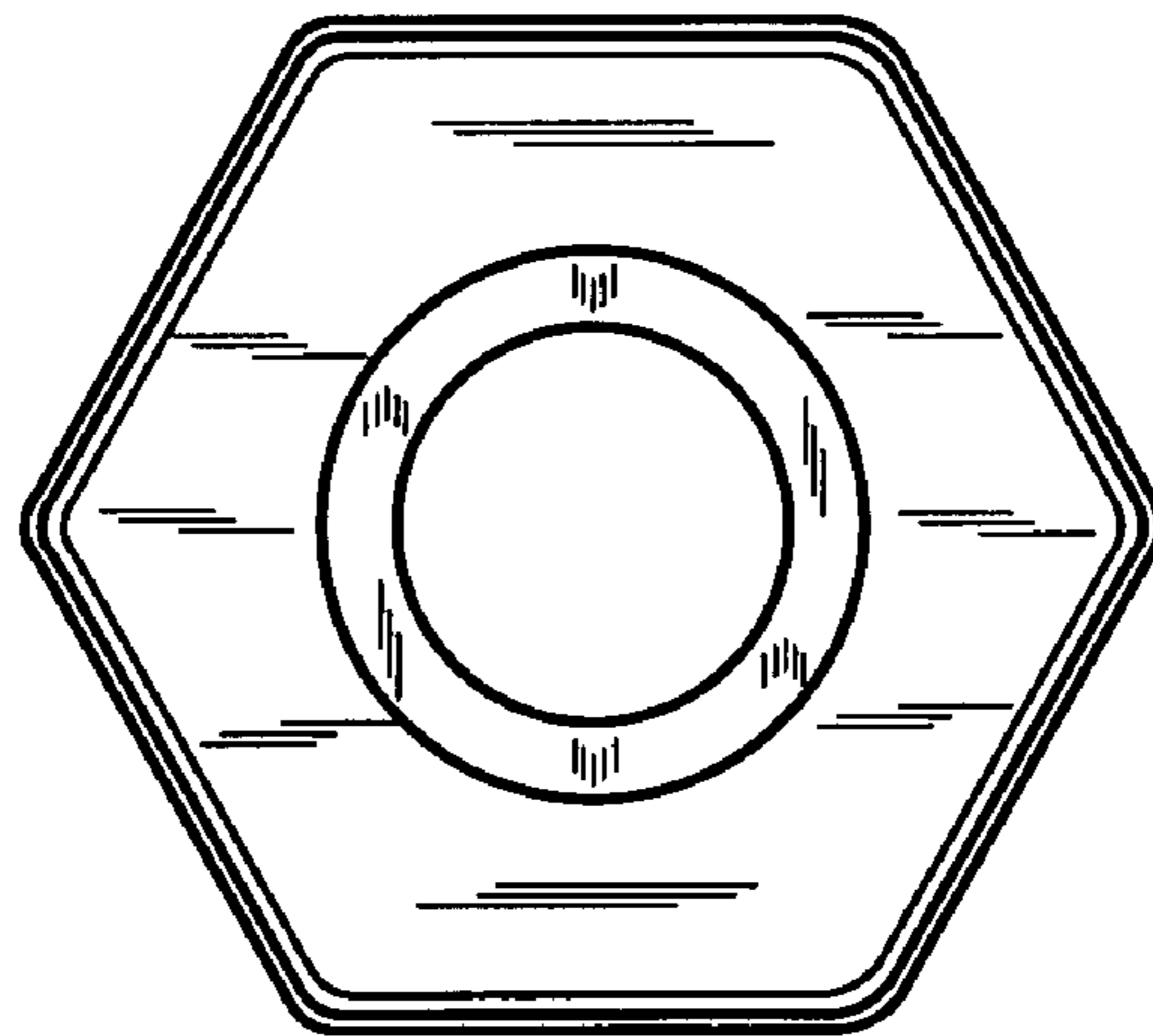


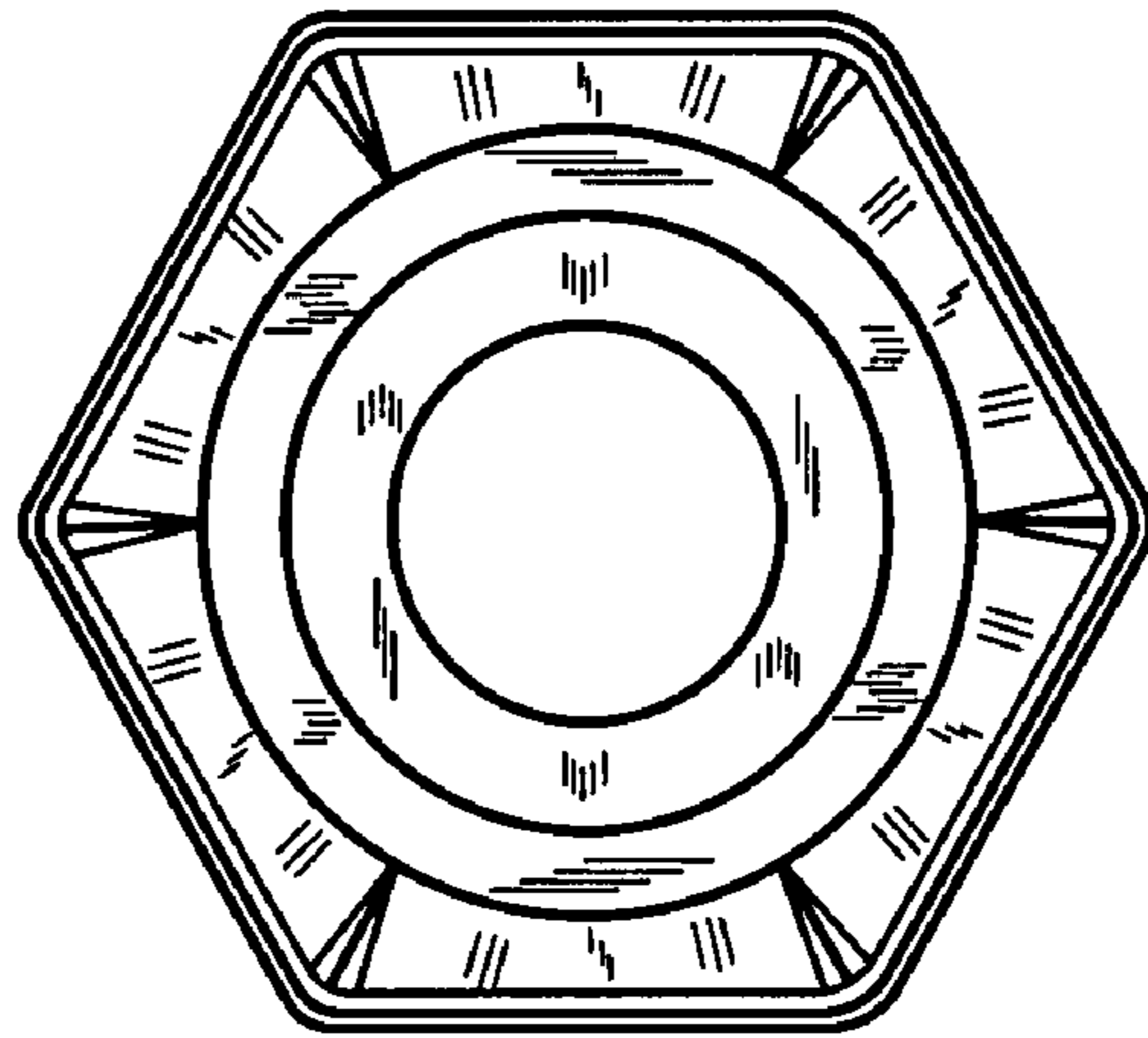
FIG. 2



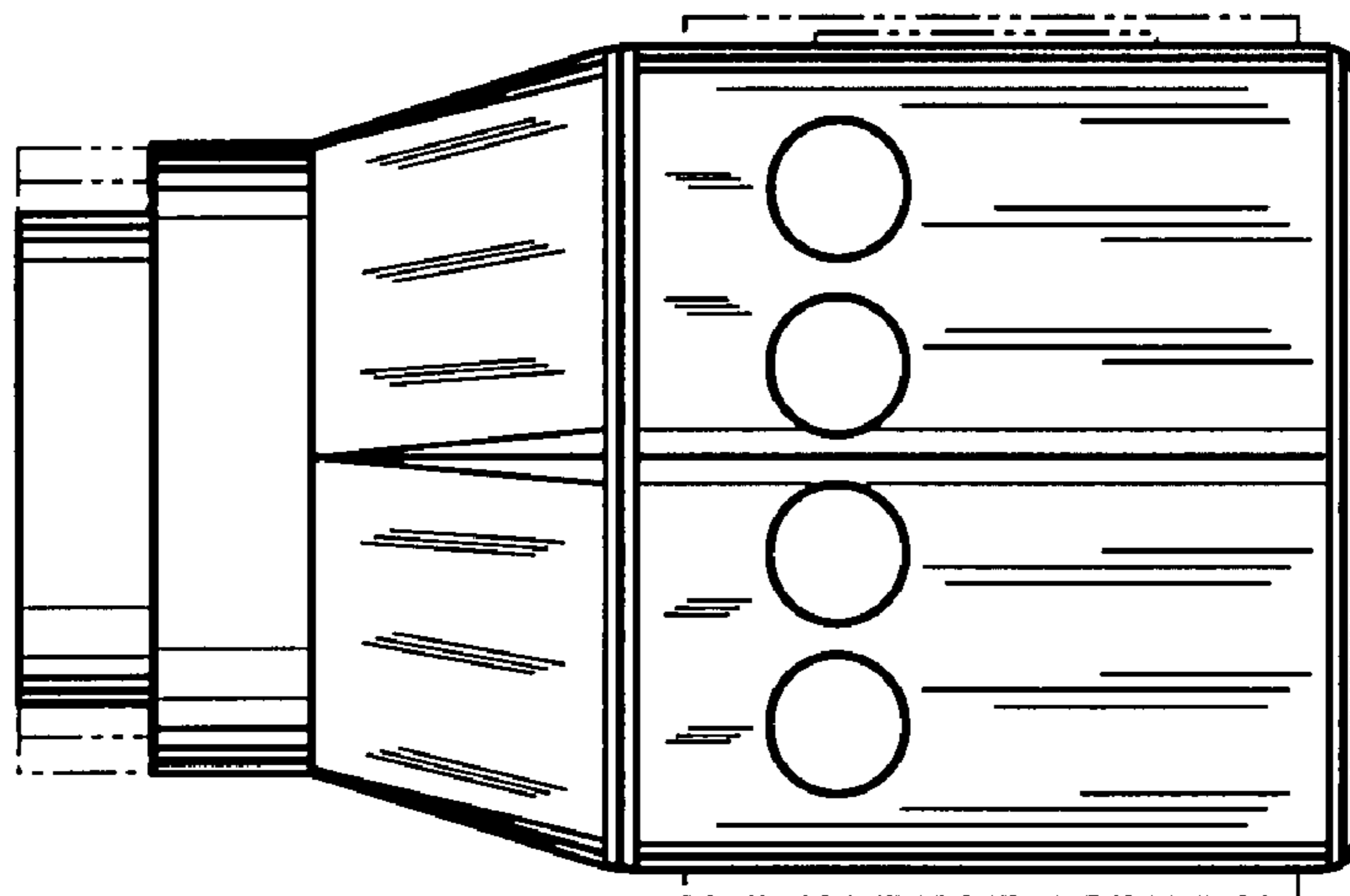
—FIG. 3



—FIG. 4



— FIG. 5



— FIG. 6

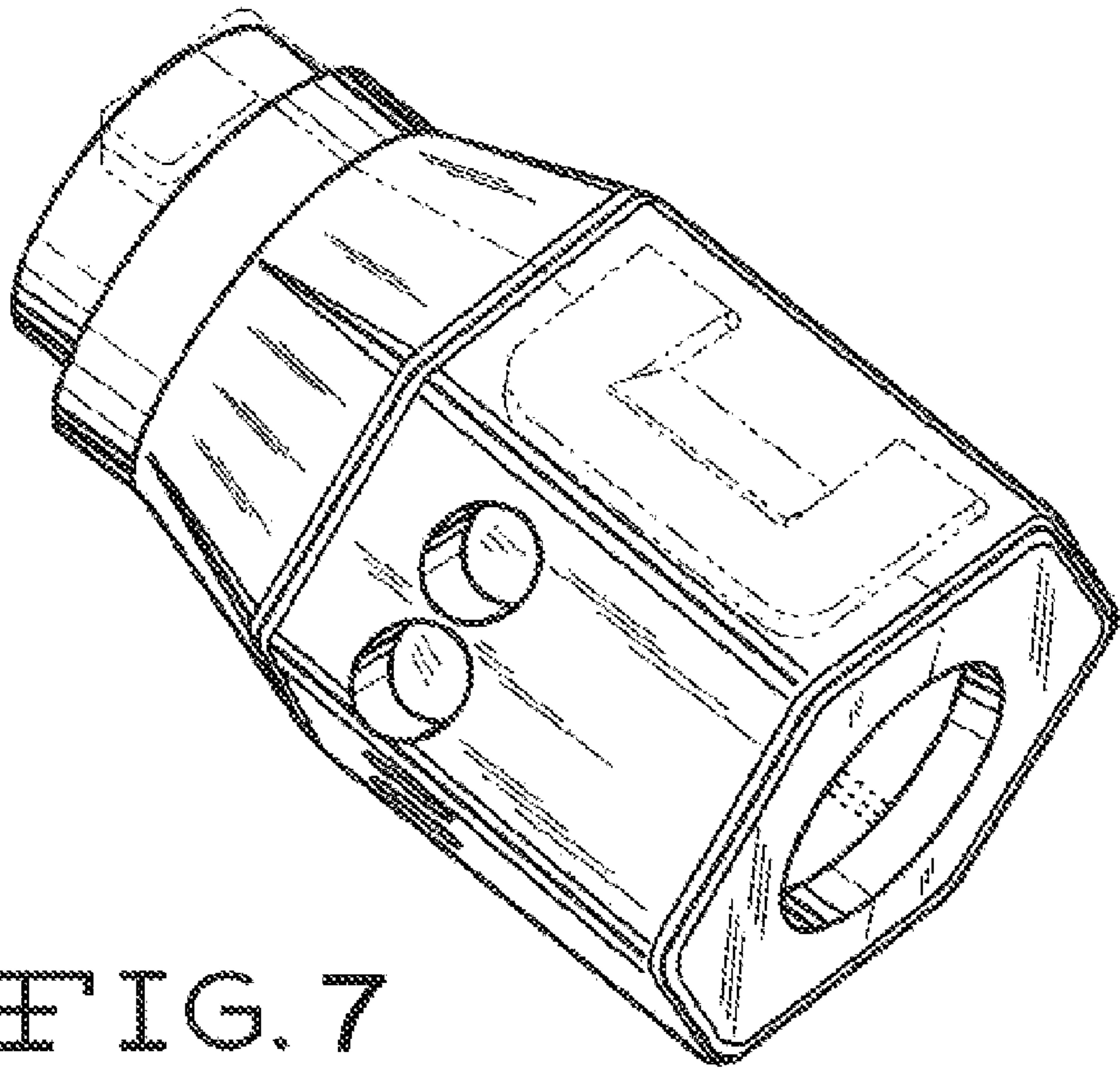


FIG. 7