



(12) **United States Design Patent**
Brockington et al.

(10) **Patent No.:** **US D590,700 S**
(45) **Date of Patent:** **** Apr. 21, 2009**

(54) **WALL CLOCK MOUNT**

D559,661 S * 1/2008 Wohlford et al. D8/373

(75) Inventors: **William T. Brockington**, Kernersville,
NC (US); **Anthony D. Moore**,
Summerfield, NC (US)

* cited by examiner

Primary Examiner—Holly H Baynham
Assistant Examiner—Cynthia M Chin

(73) Assignee: **Camco Manufacturing, Inc.**,
Greensboro, NC (US)

(57) **CLAIM**

(**) Term: **14 Years**

The ornamental design for a wall clock mount, as shown and described.

(21) Appl. No.: **29/308,608**

DESCRIPTION

(22) Filed: **Jun. 25, 2008**

(51) **LOC (9) Cl.** **08-05**

(52) **U.S. Cl.** **D8/373**

(58) **Field of Classification Search** D8/349,
D8/354, 363, 373; D10/2, 21, 22; D14/251–253;
248/220.21, 220.22, 222.51, 222.52, 224.7,
248/229.1, 488, 489, 496; 211/87.01, 544
See application file for complete search history.

FIG. 1 is a top, rear left perspective exploded view of a wall clock mount according to the invention;

FIG. 2 is a top, rear left perspective assembled view thereof;

FIG. 3 is a rear elevational exploded view thereof;

FIG. 4 is a rear elevational assembled view thereof;

FIG. 5 is a front elevational assembled view thereof;

FIG. 6 is a front elevational exploded view thereof;

FIG. 7 is a left elevational exploded view thereof, the right elevational exploded view being a mirror image;

FIG. 8 is a left elevational assembled view thereof, the right elevational assembled view being a mirror image;

FIG. 9 is a top plan assembled view thereof;

FIG. 10 is a bottom plan assembled view thereof;

FIG. 11 is a top, front right perspective exploded view thereof; and,

FIG. 12 is a top, front right perspective assembled view thereof.

The phantom lines in FIGS. 1 and 2 are for illustrative purposes only to show the clock face to which the invention is attached and form no part of the claimed design.

(56) **References Cited**

U.S. PATENT DOCUMENTS

2,651,908 A	9/1953	Fargo	
3,529,799 A *	9/1970	Schaefer	248/496
3,861,639 A *	1/1975	Morrill	248/489
D293,106 S *	12/1987	Renslow	D14/253
5,735,493 A	4/1998	Ditch	
5,740,995 A *	4/1998	Richter	248/220.21
5,893,544 A *	4/1999	Chen	248/220.21
D484,778 S *	1/2004	French	D8/373
D485,745 S *	1/2004	Sung	D8/373
D555,459 S *	11/2007	Goodwin et al.	D8/363

1 Claim, 5 Drawing Sheets

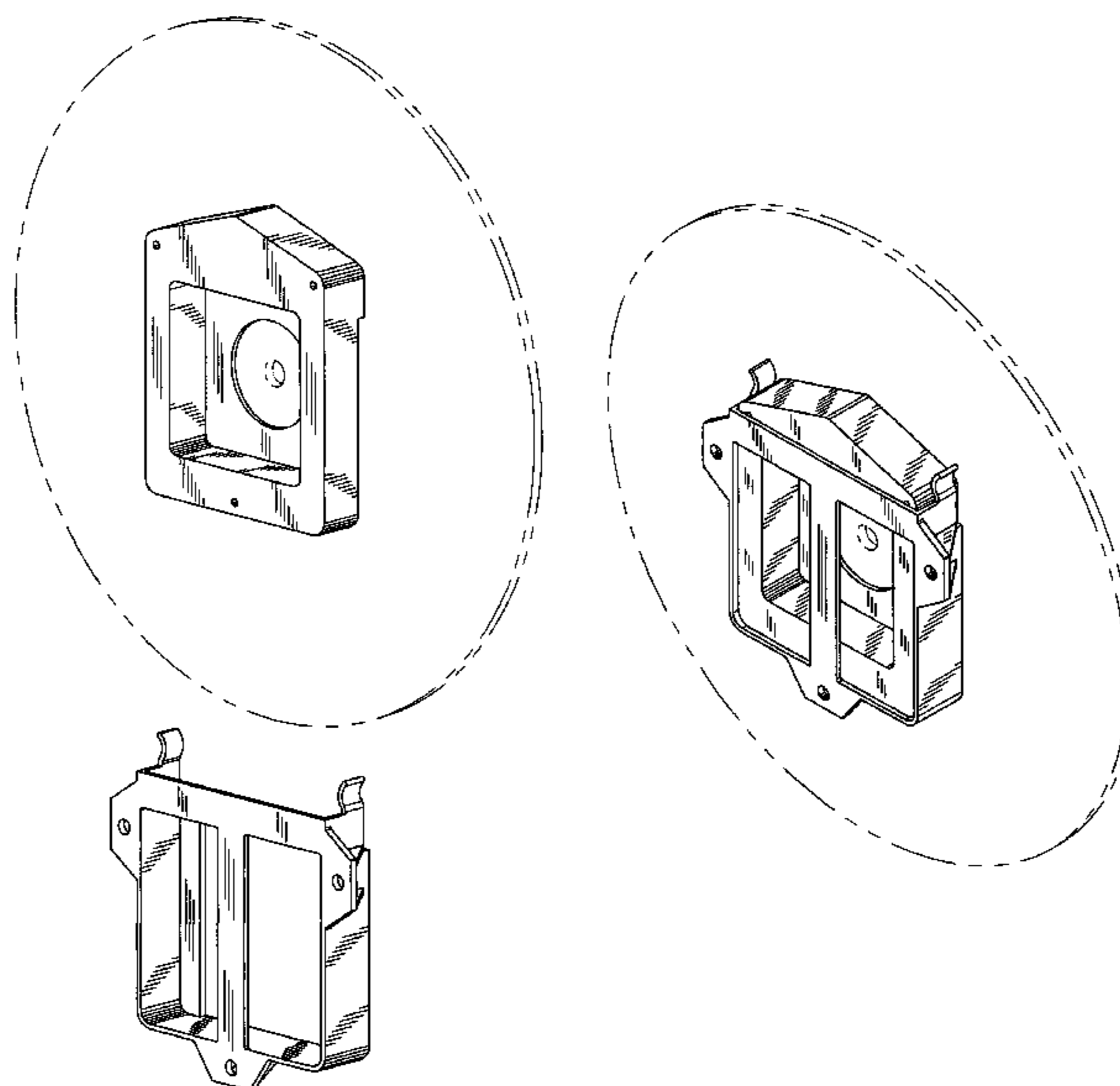
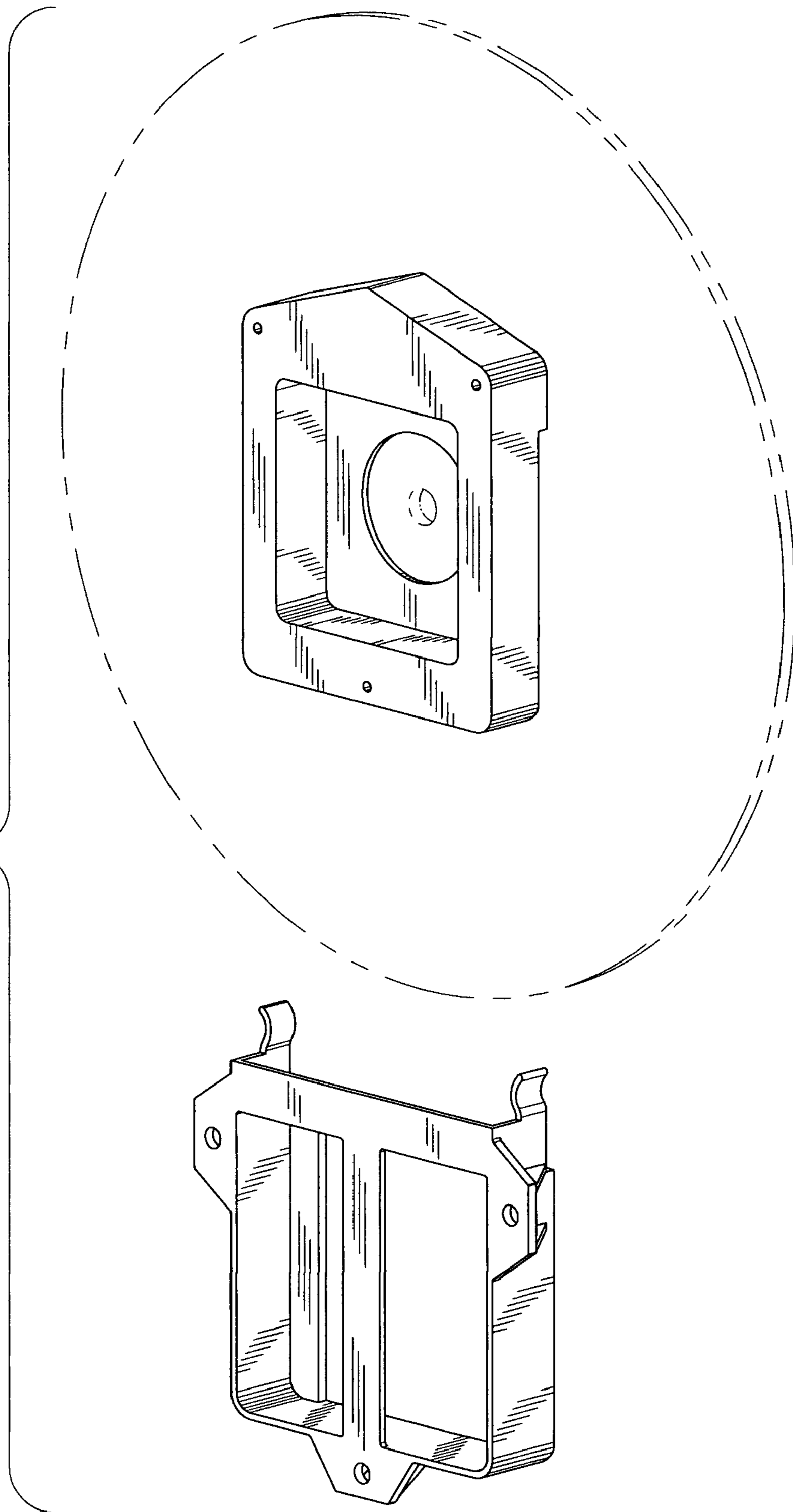


FIG. 1



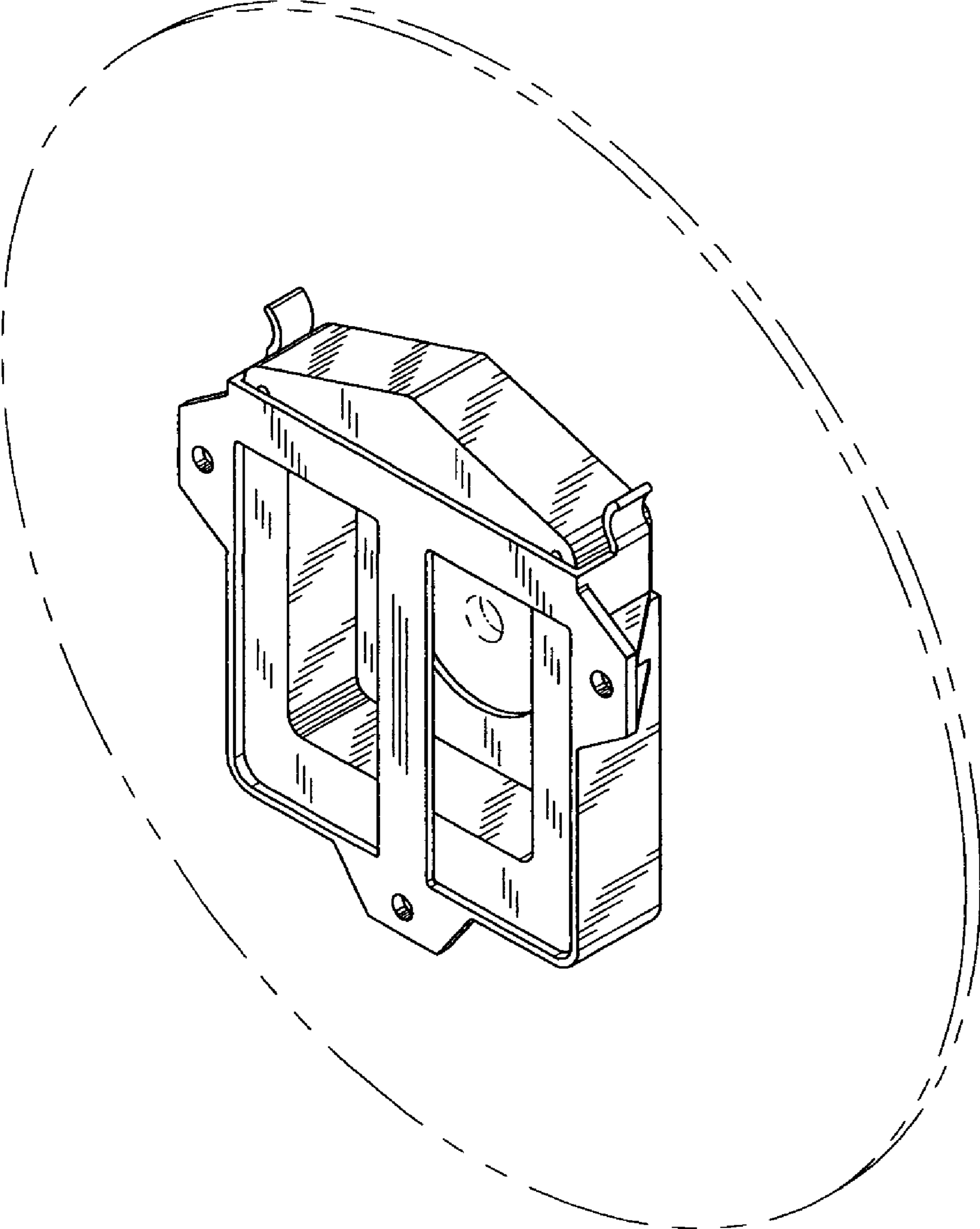


FIG. 2

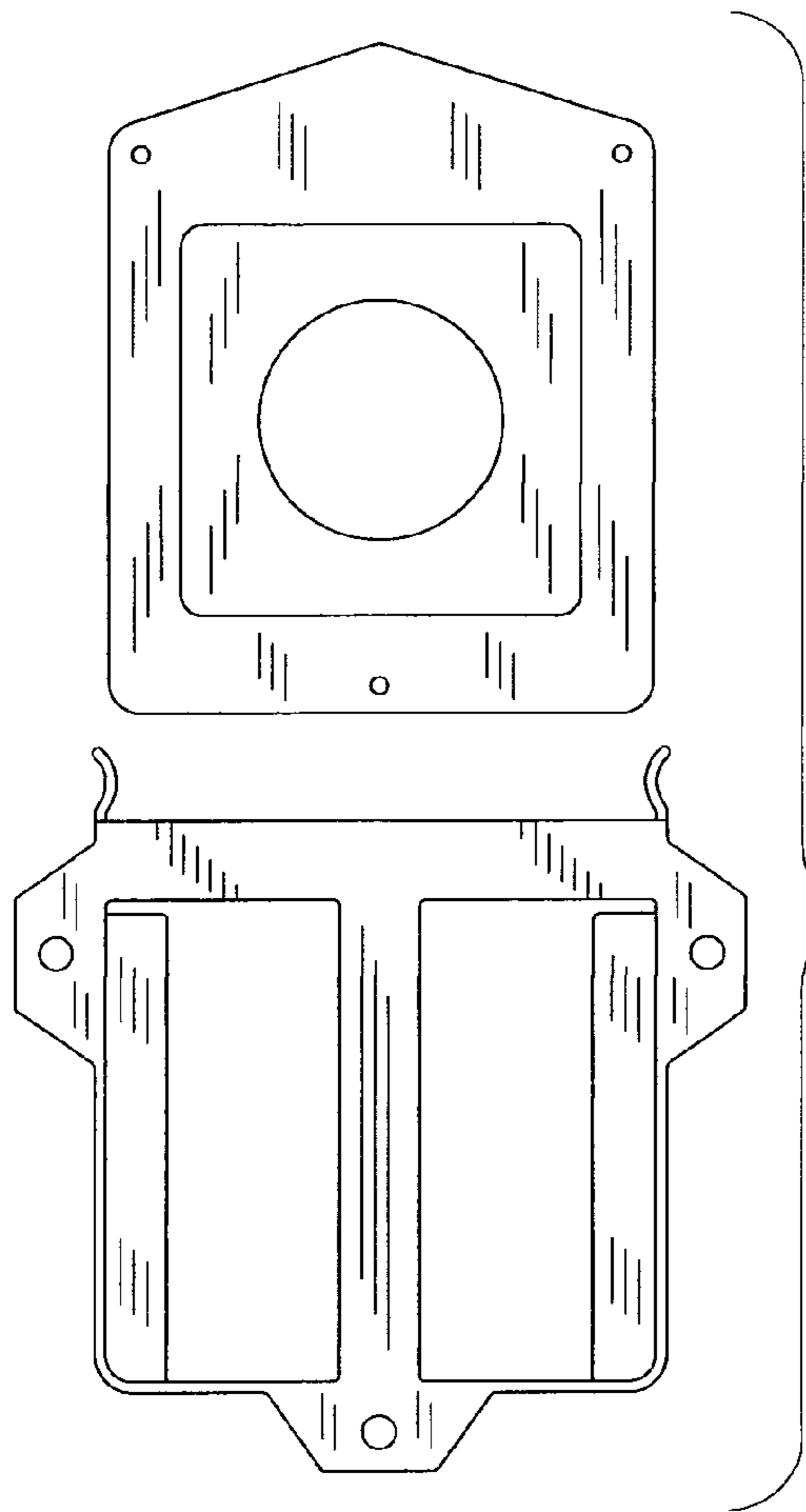


FIG. 3

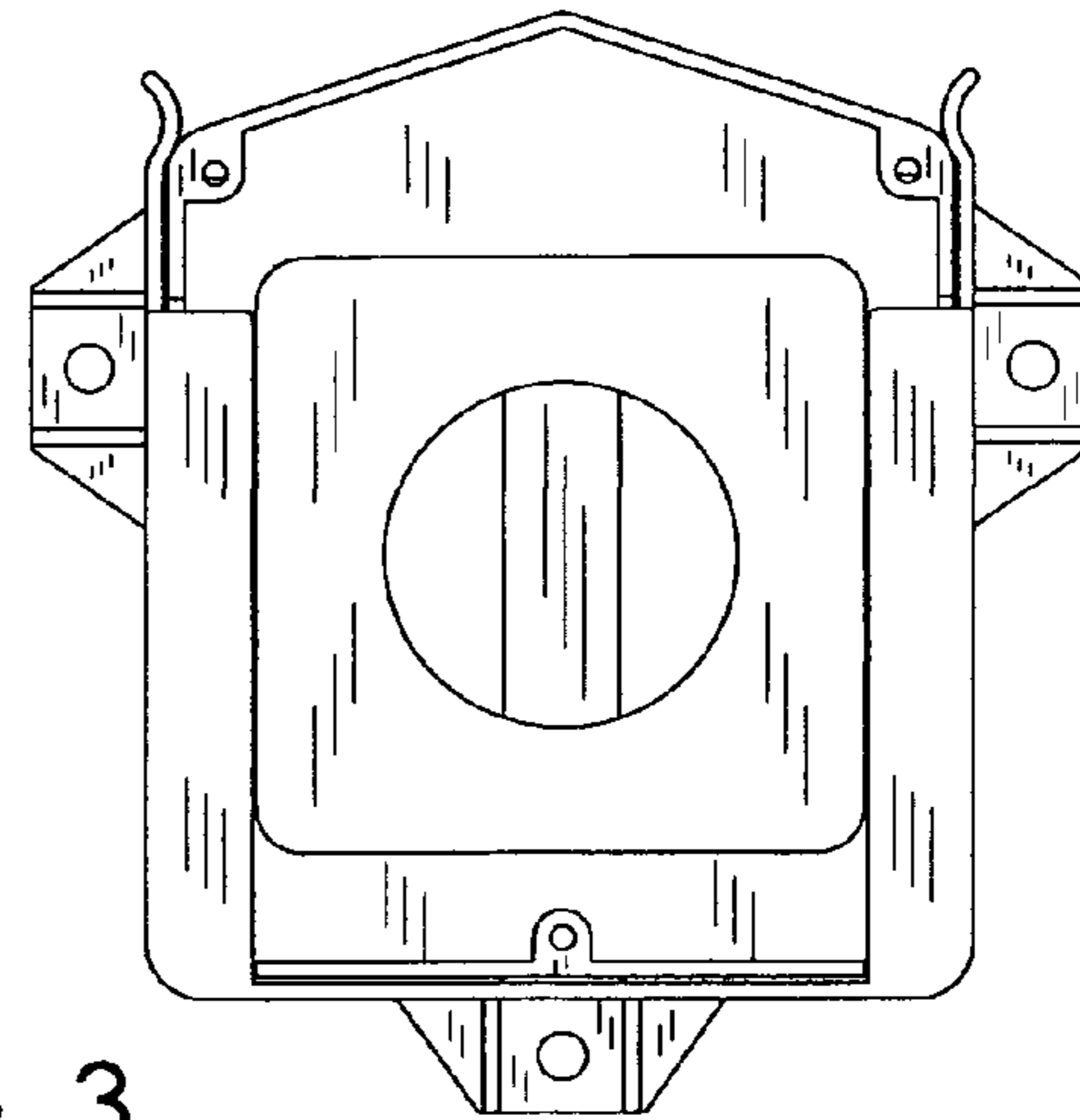


FIG. 5

FIG. 6

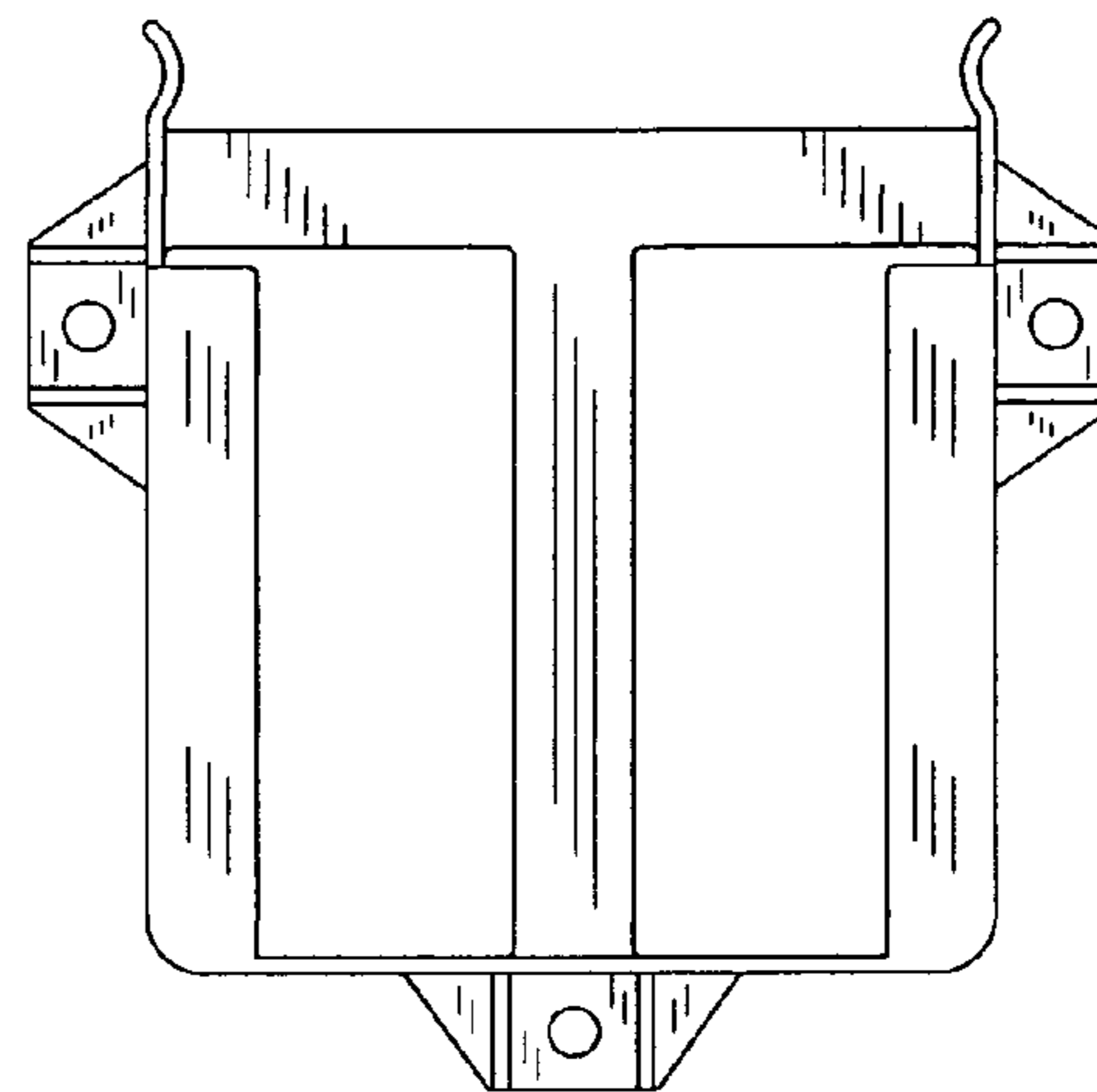
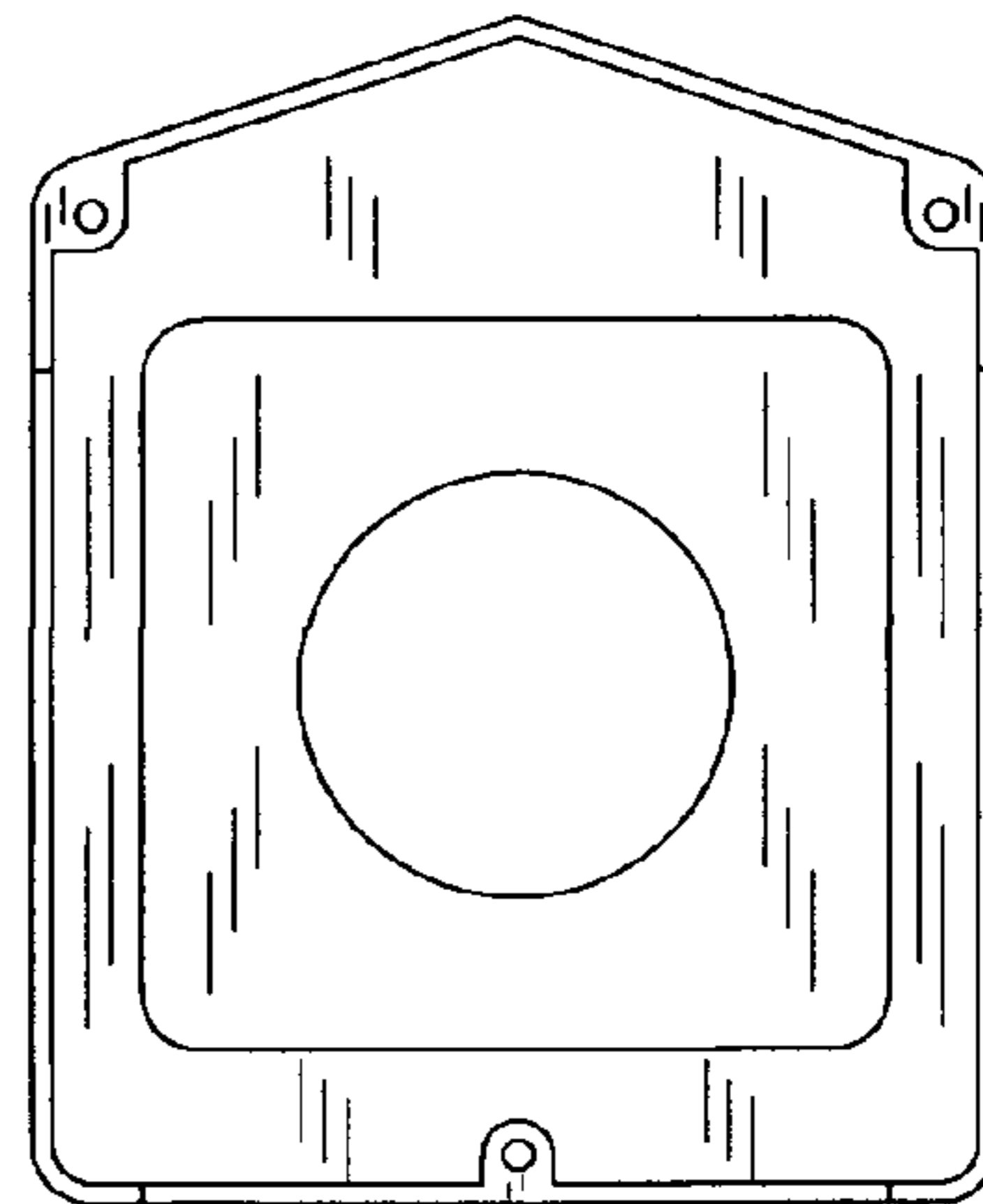


FIG. 4

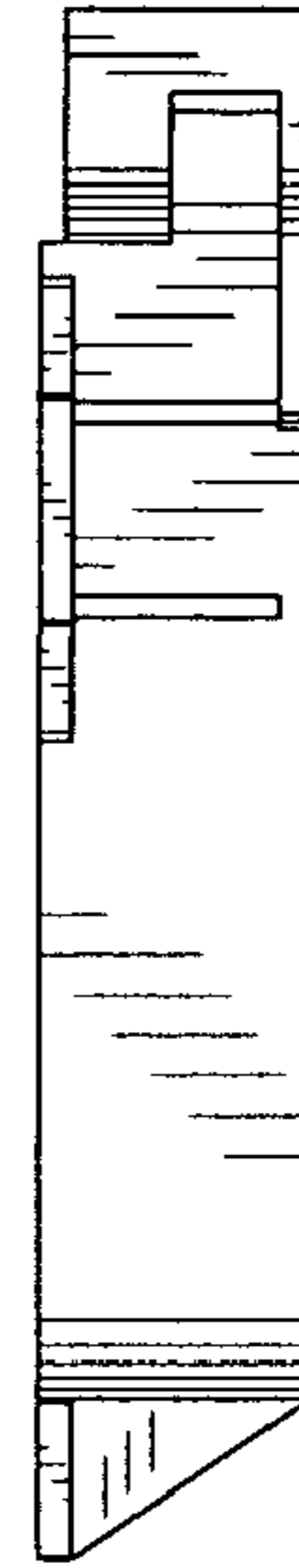
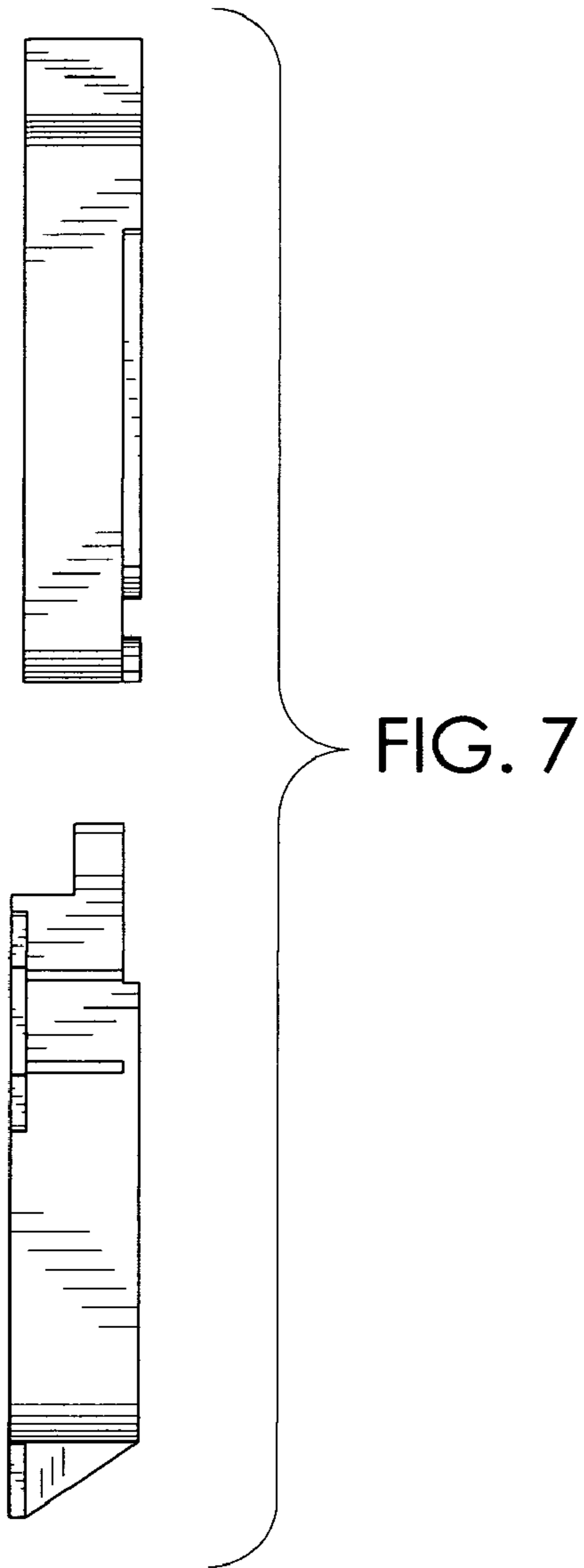


FIG. 8

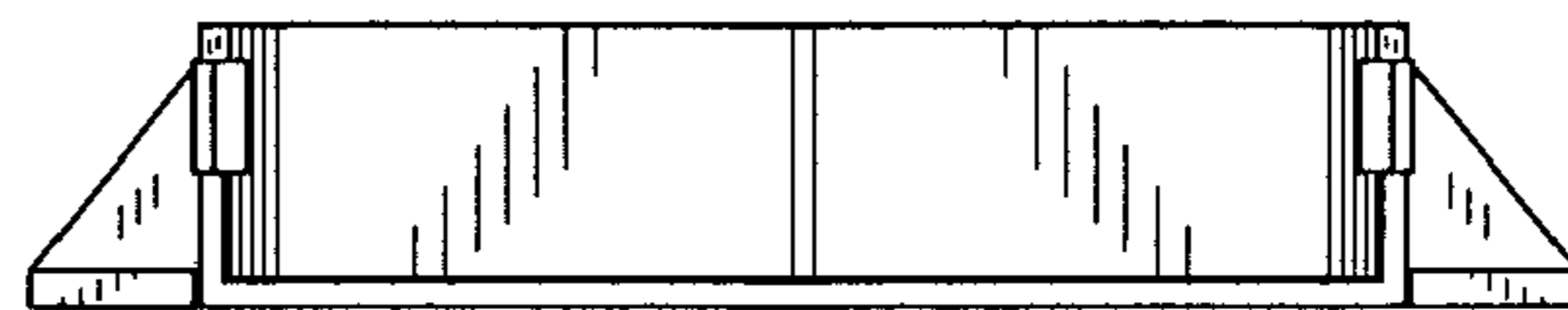


FIG. 9

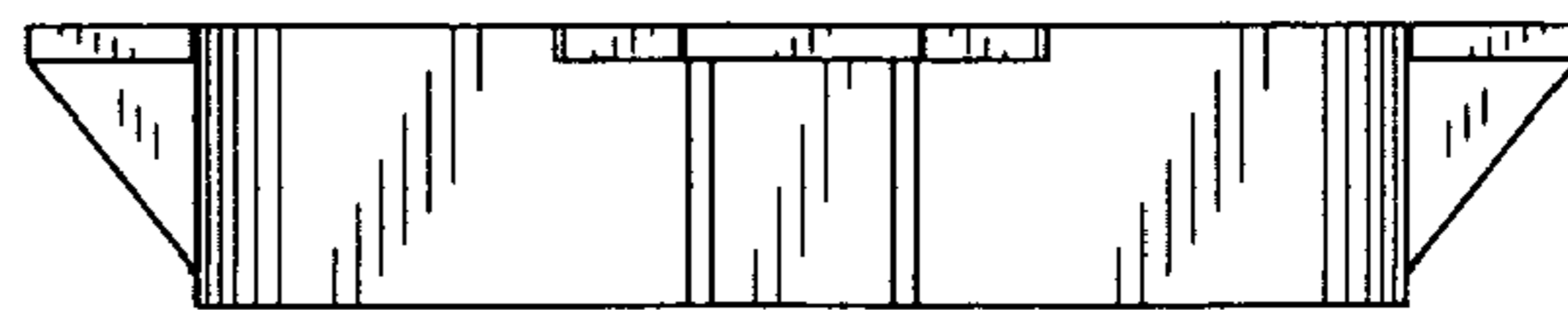


FIG. 10

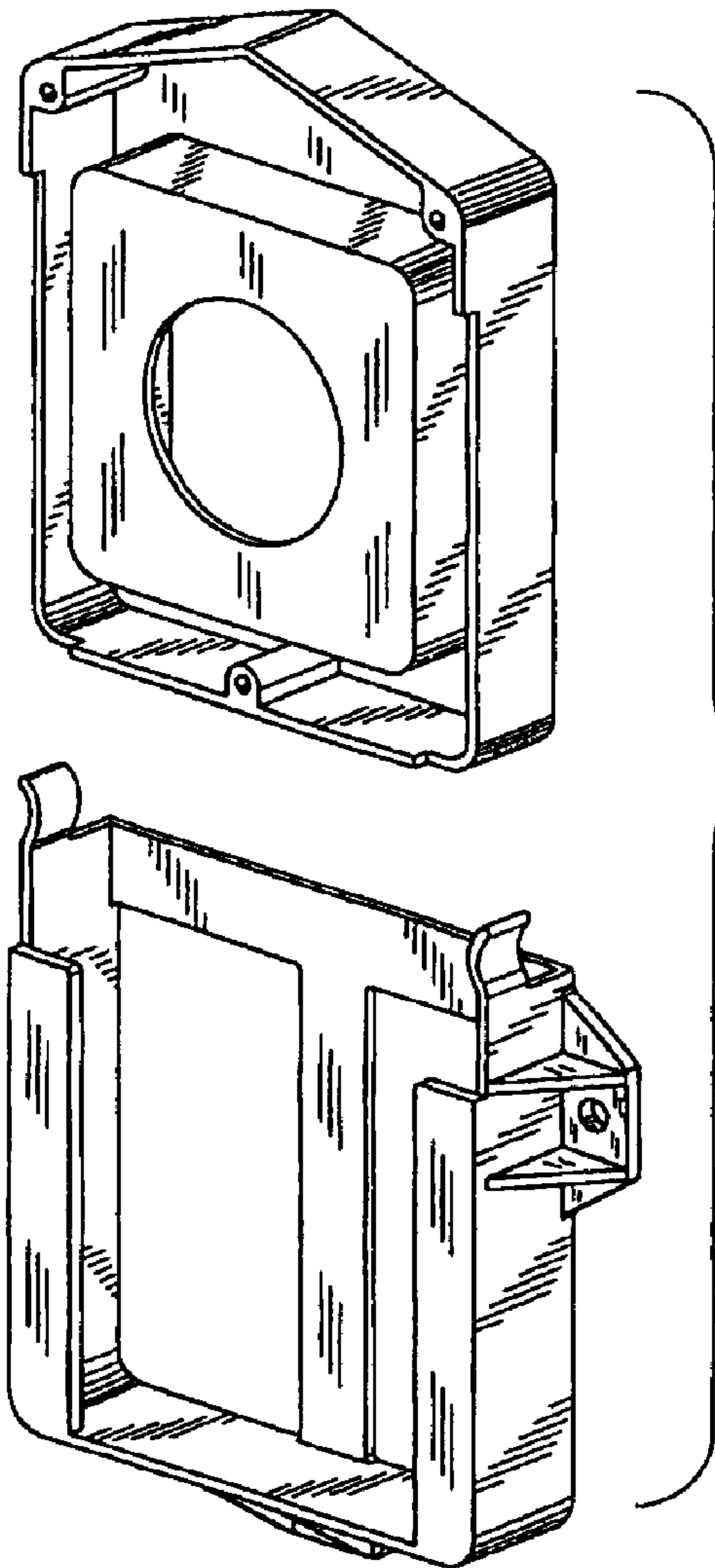


FIG. 11

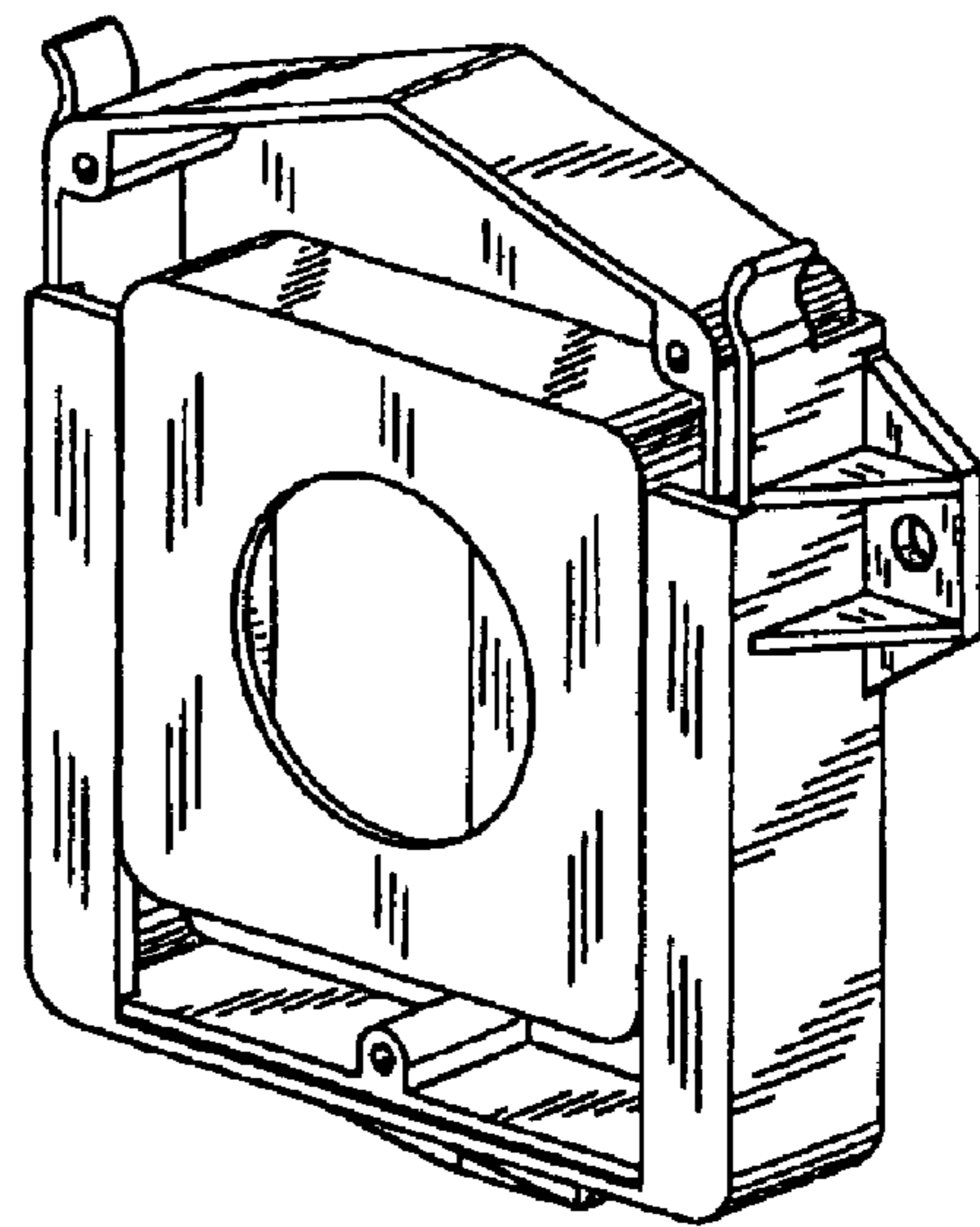


FIG. 12