



US00D590698S

(12) **United States Design Patent**
Moore et al.

(10) **Patent No.:** **US D590,698 S**

(45) **Date of Patent:** **** Apr. 21, 2009**

(54) **SHOWER ROD BRACKET**

(75) Inventors: **Sean A. Moore**, Houston, TX (US);
Patrick Gwen, Houston, TX (US)

(73) Assignee: **Shower Solutions, LLC**, Vernon Hills,
IL (US)

(**) Term: **14 Years**

(21) Appl. No.: **29/302,729**

(22) Filed: **Jan. 23, 2008**

Related U.S. Application Data

(63) Continuation-in-part of application No. 29/295,996,
filed on Oct. 11, 2007, now Pat. No. Des. 565,395,
which is a continuation of application No. 29/248,598,
filed on Aug. 23, 2006, now Pat. No. Des. 557,590.

(51) **LOC (9) Cl.** **08-05**

(52) **U.S. Cl.** **D8/363**

(58) **Field of Classification Search** D8/349,
D8/354, 363; 248/220.42, 220.41, 220.22,
248/220.31; 24/59.1

See application file for complete search history.

(56) **References Cited**

U.S. PATENT DOCUMENTS

839,959	A	1/1907	Richards	
912,789	A	2/1909	Berbecker	
2,650,714	A	9/1953	Brose et al.	
2,890,799	A	6/1959	Rosenbaum	
4,496,059	A	1/1985	Leiter	
D318,968	S	8/1991	Poulson	
D340,376	S	10/1993	Klose	
D374,167	S	10/1996	Scholl	
D393,390	S	4/1998	Gottwald	
6,024,331	A *	2/2000	Bischoff et al. 248/229.1

D426,142	S *	6/2000	Moore	D8/363
6,263,523	B1	7/2001	Moore		
D466,351	S	12/2002	Tai		
D499,954	S	12/2004	Brushaber		
D552,455	S	10/2007	Moore		
D557,590	S *	12/2007	Moore	D8/363
D565,395	S *	4/2008	Moore et al.	D8/363
D567,637	S *	4/2008	Moore	D8/363

* cited by examiner

Primary Examiner—Holly H Baynham

(74) *Attorney, Agent, or Firm*—Michael Best & Friedrich
LLP

(57) **CLAIM**

We claim the ornamental design for a shower rod bracket, as
shown and described.

DESCRIPTION

FIG. 1 is a perspective view of a shower rod bracket embody-
ing the present invention.

FIG. 2 is a front view of the shower rod bracket shown in FIG.
1.

FIG. 3 is a left side view of the shower rod bracket shown in
FIG. 1.

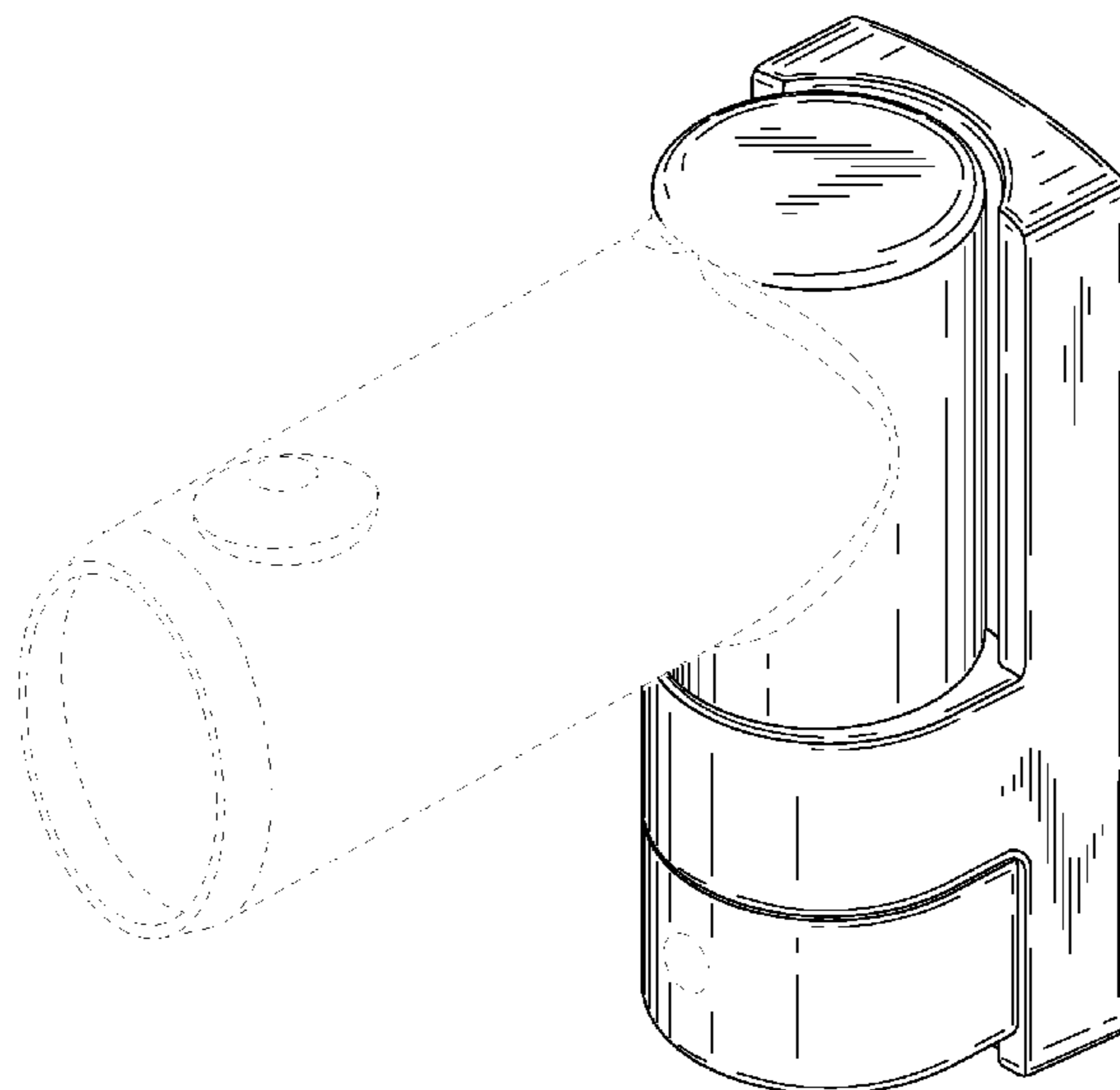
FIG. 4 is a right side view of the shower rod bracket shown in
FIG. 1.

FIG. 5 is a top view of the shower rod bracket shown in FIG.
1; and,

FIG. 6 is a bottom view of the shower rod bracket shown in
FIG. 1.

The broken lines immediately adjacent the shaded areas rep-
resent the bounds of the claim and all other broken lines are
for illustrative purposes only. None of the broken lines form
part of the claimed design.

1 Claim, 3 Drawing Sheets



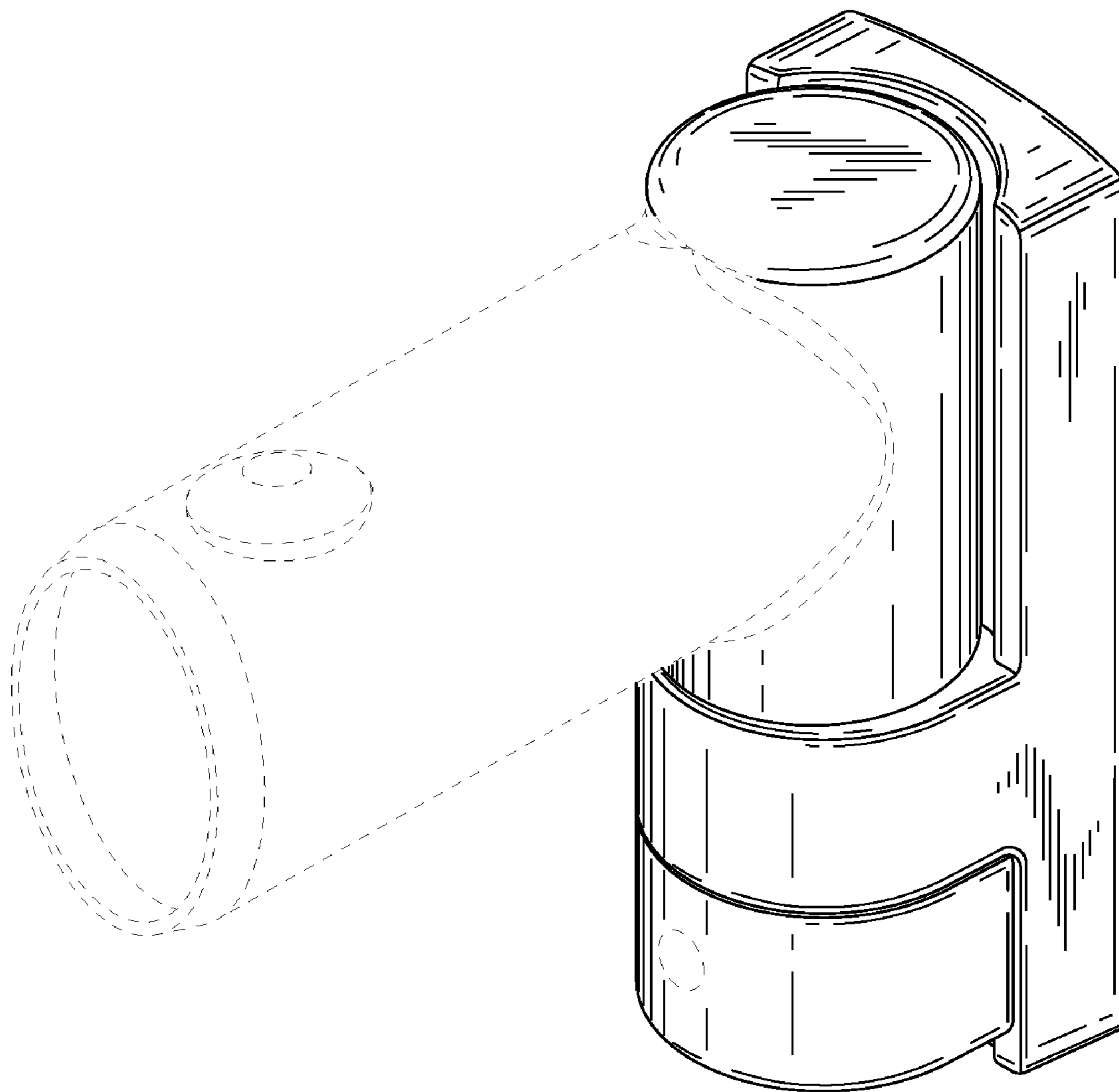


FIG. 1

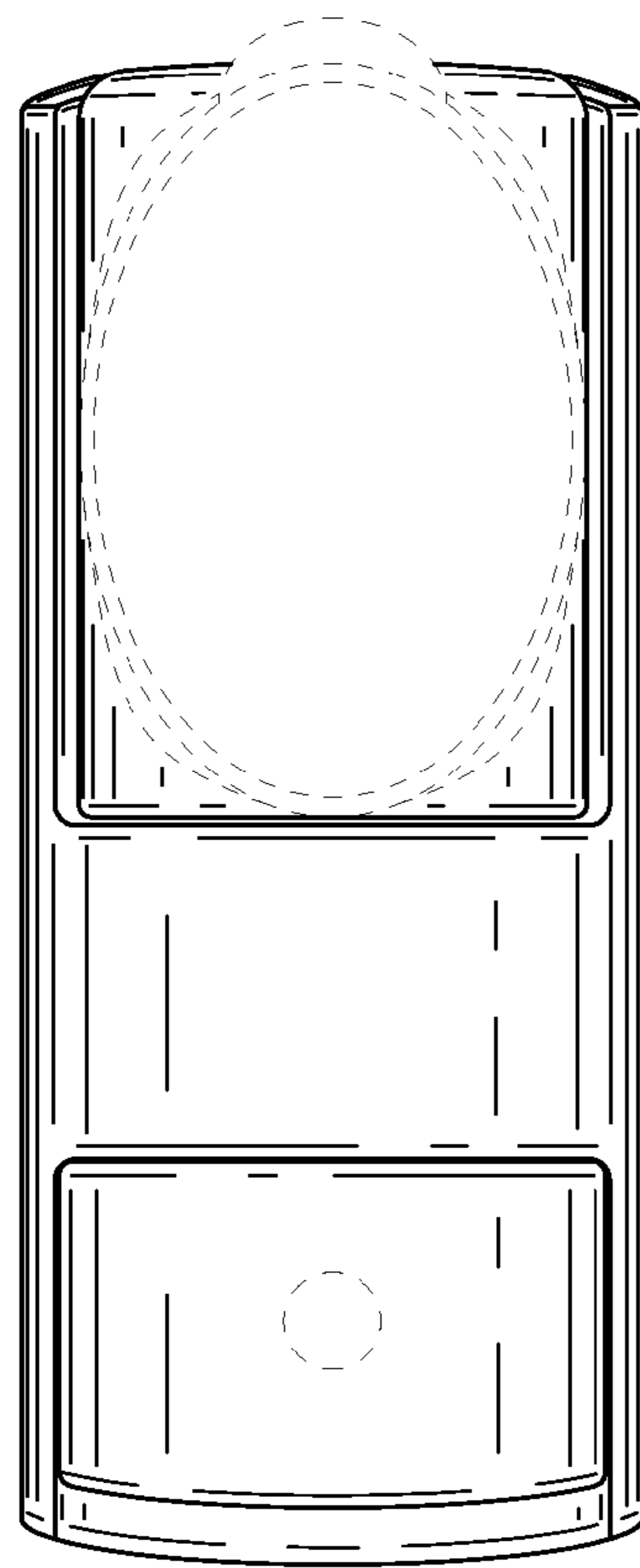


FIG. 2

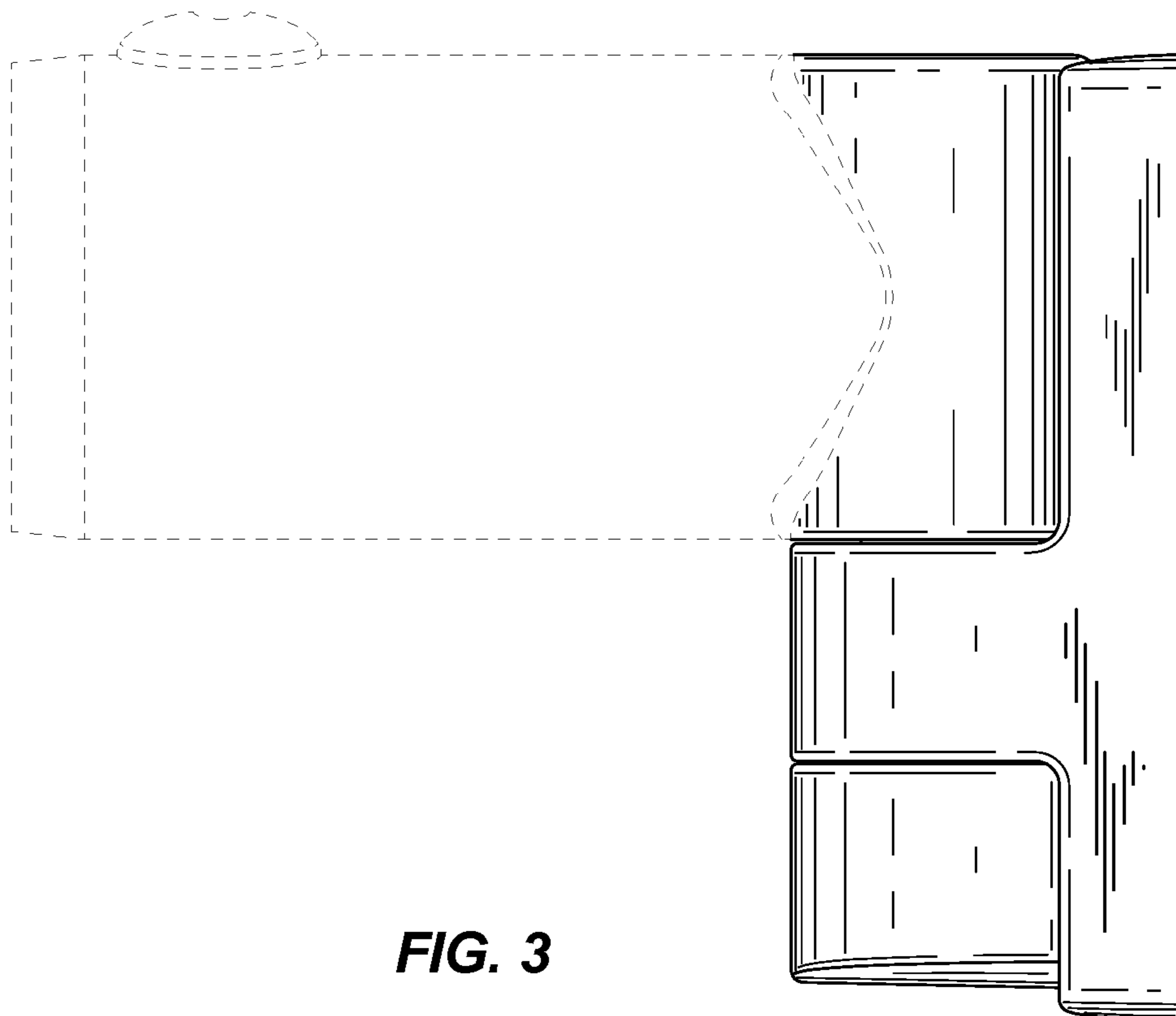


FIG. 3

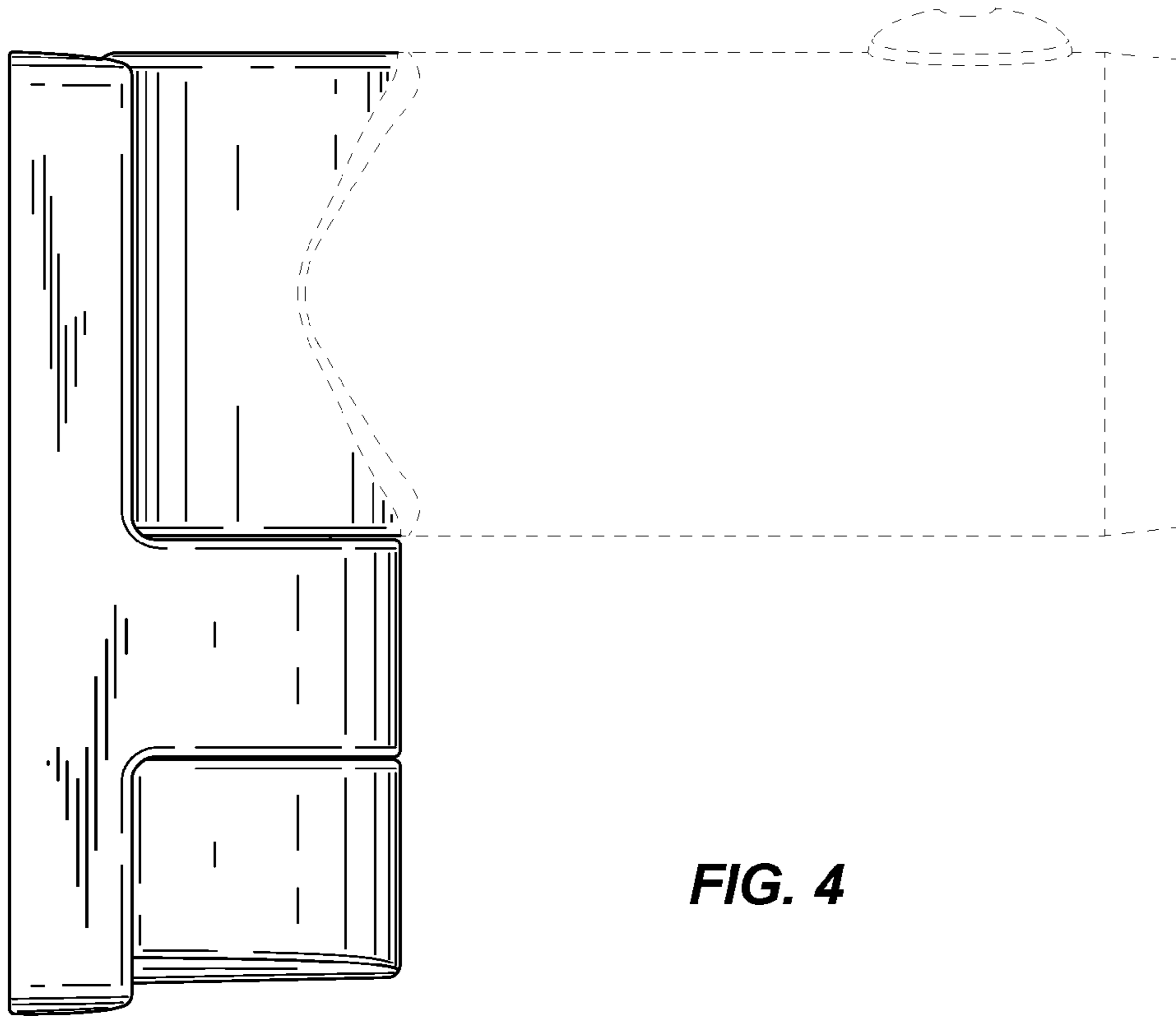


FIG. 4

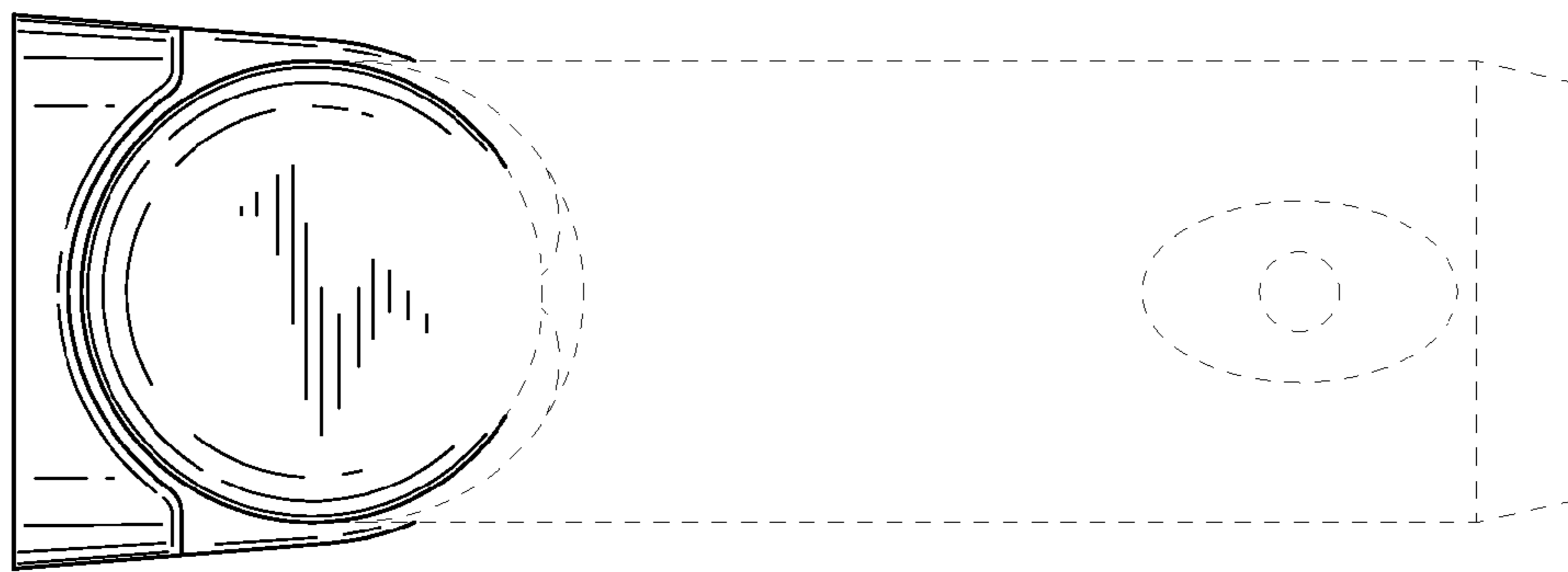


FIG. 5

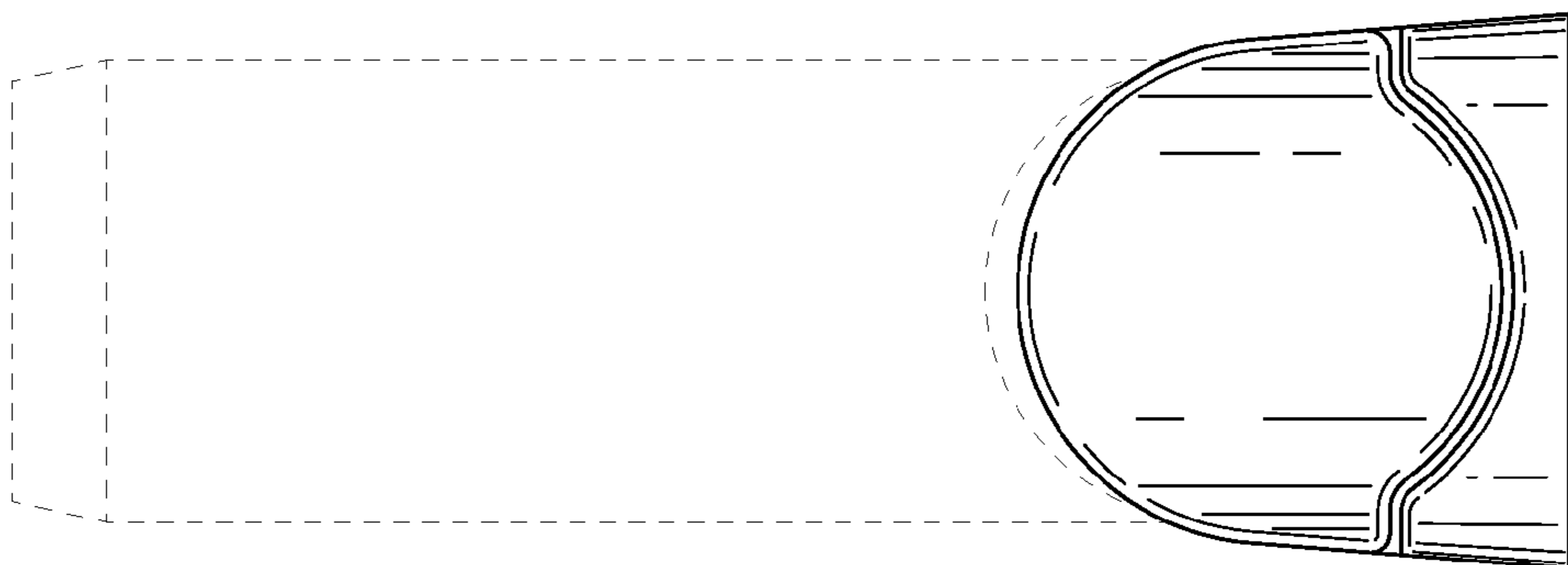


FIG. 6