



US00D590697S

(12) **United States Design Patent**
Townley

(10) **Patent No.:** **US D590,697 S**

(45) **Date of Patent:** **** Apr. 21, 2009**

(54) **STRUCTURAL SUPPORT BRACKET**

(75) Inventor: **Jason S. Townley**, San Francisco, CA
(US)

(73) Assignee: **BMI Supply Incorporated**, Queensbury,
NY (US)

(**) Term: **14 Years**

(21) Appl. No.: **29/326,075**

(22) Filed: **Oct. 10, 2008**

Related U.S. Application Data

(62) Division of application No. 29/299,032, filed on Dec.
18, 2007, now Pat. No. Des. 579,321.

(51) **LOC (9) Cl.** **08-05**

(52) **U.S. Cl.** **D8/354**

(58) **Field of Classification Search** D8/349,
D8/354, 366, 382; D25/68, 119, 121, 126,
D25/133; 248/205.1, 247, 248, 309.1; 52/696
See application file for complete search history.

(56) **References Cited**

U.S. PATENT DOCUMENTS

- D288,407 S * 2/1987 St. Alban D8/354
- D342,011 S * 12/1993 Maguire D8/349
- D432,671 S * 10/2000 Grosfillex D25/119
- D511,217 S * 11/2005 Bullock et al. D25/119
- D551,537 S * 9/2007 Richardson D8/354
- D579,321 S 10/2008 Townley

OTHER PUBLICATIONS

“Leg-a-matic” by Theatrical Hardware Inc. Products website [www.theatricalhardware.com/products.html] 2007.

“Leg-a-matic” Advertisement; Lighting & Sound America, Feb.
2008.

“Rings, Irons, Bolt Plates & Corners,” p. 4 of Mutual Hardware
Corporation catalog, 2005.

* cited by examiner

Primary Examiner—Holly H Baynham

Assistant Examiner—Cynthia M Chin

(74) *Attorney, Agent, or Firm*—Heslin Rothenberg Farley &
Mesiti P.C.

(57) **CLAIM**

The ornamental design for a structural support bracket, as
shown and described.

DESCRIPTION

FIG. 1 is a front perspective view of a structural support
bracket comprising the new design;

FIG. 2 is a rear perspective view thereof;

FIG. 3 is a front elevation view thereof;

FIG. 4 is a rear elevation view thereof;

FIG. 5 is a right side elevation view thereof;

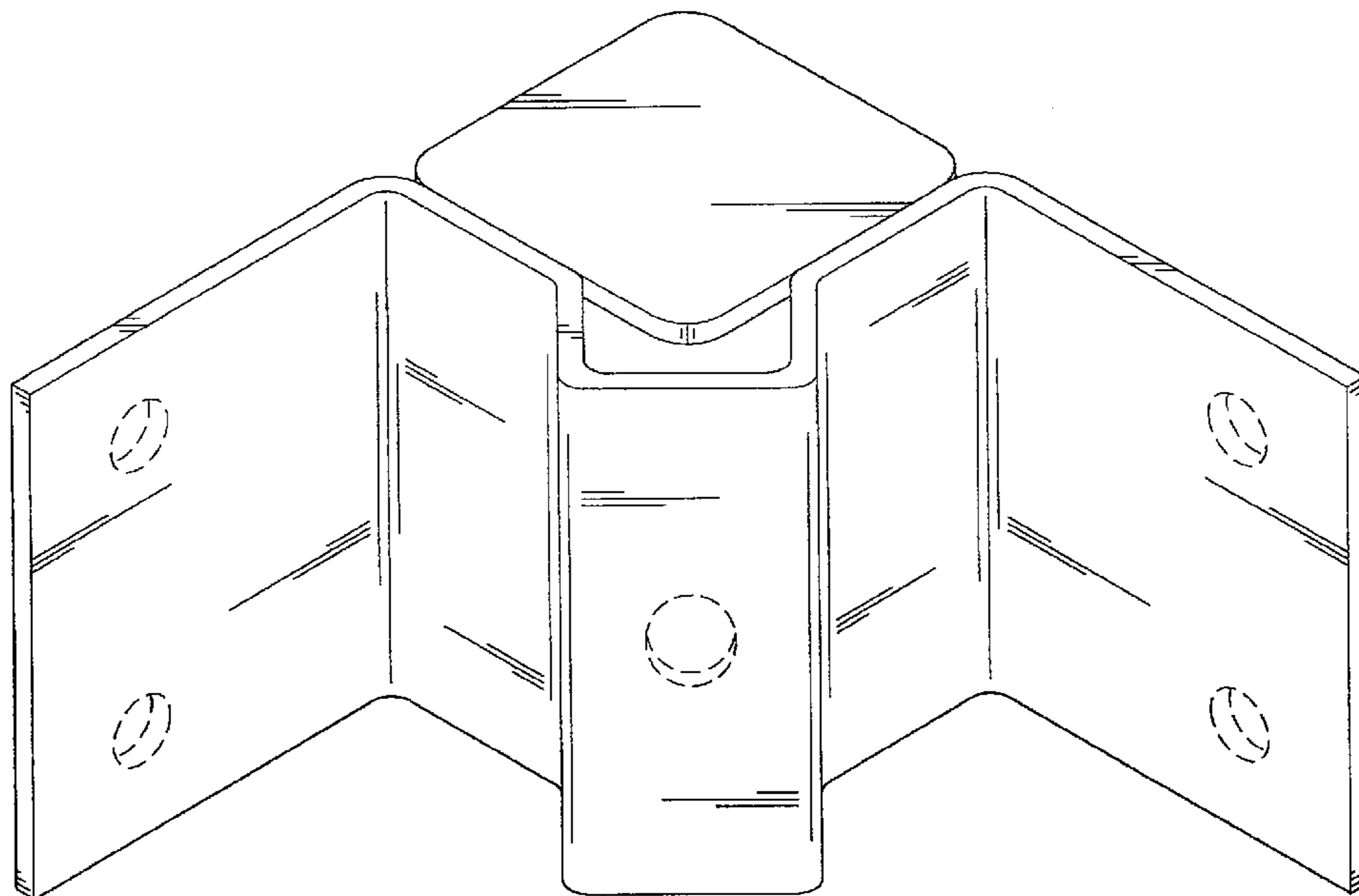
FIG. 6 is a left side elevation view thereof;

FIG. 7 is a top view thereof; and,

FIG. 8 is a bottom view thereof.

The broken lines are for illustrative purposes and form no part
of the claimed design.

1 Claim, 8 Drawing Sheets



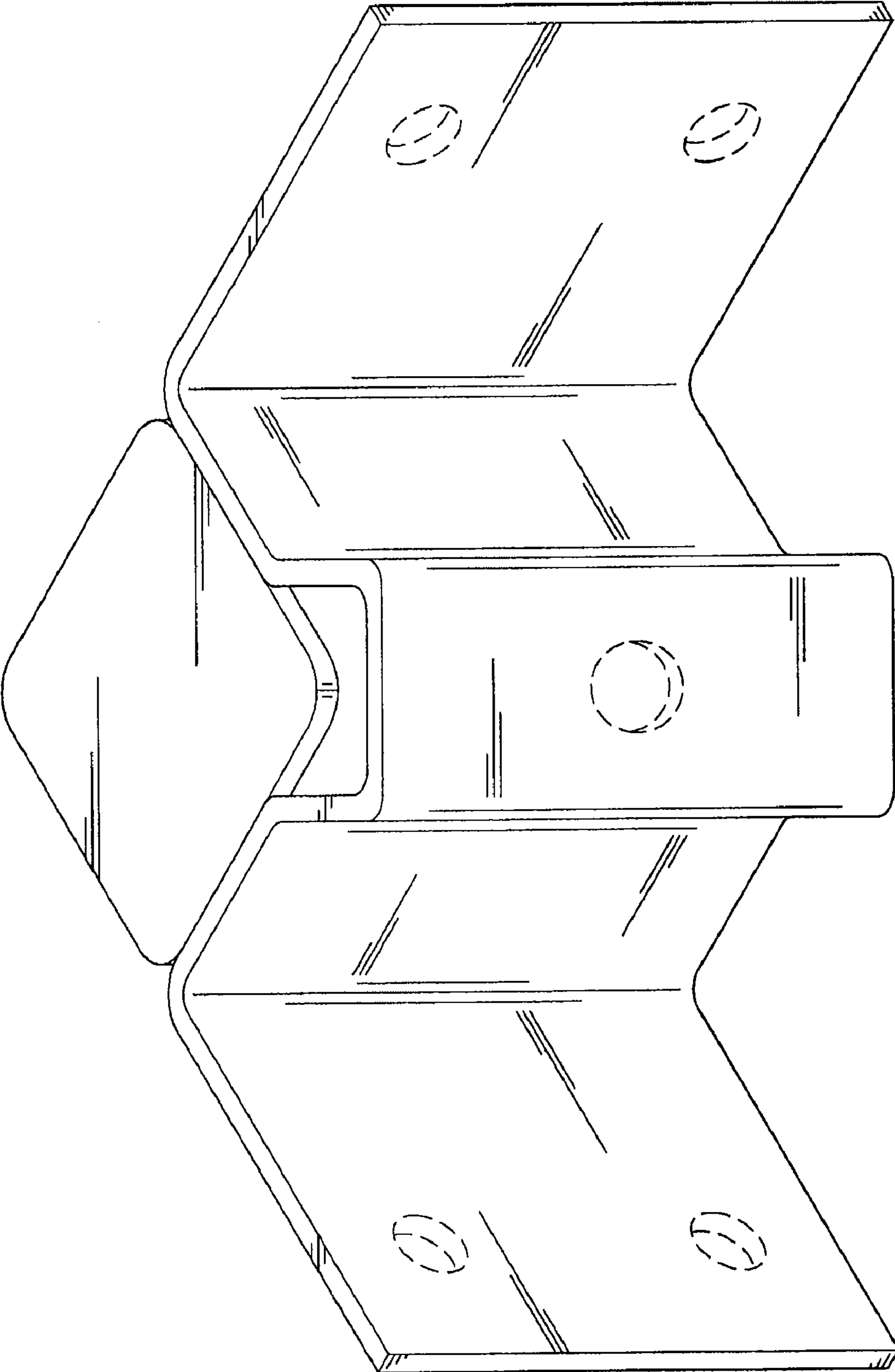


FIG. 1

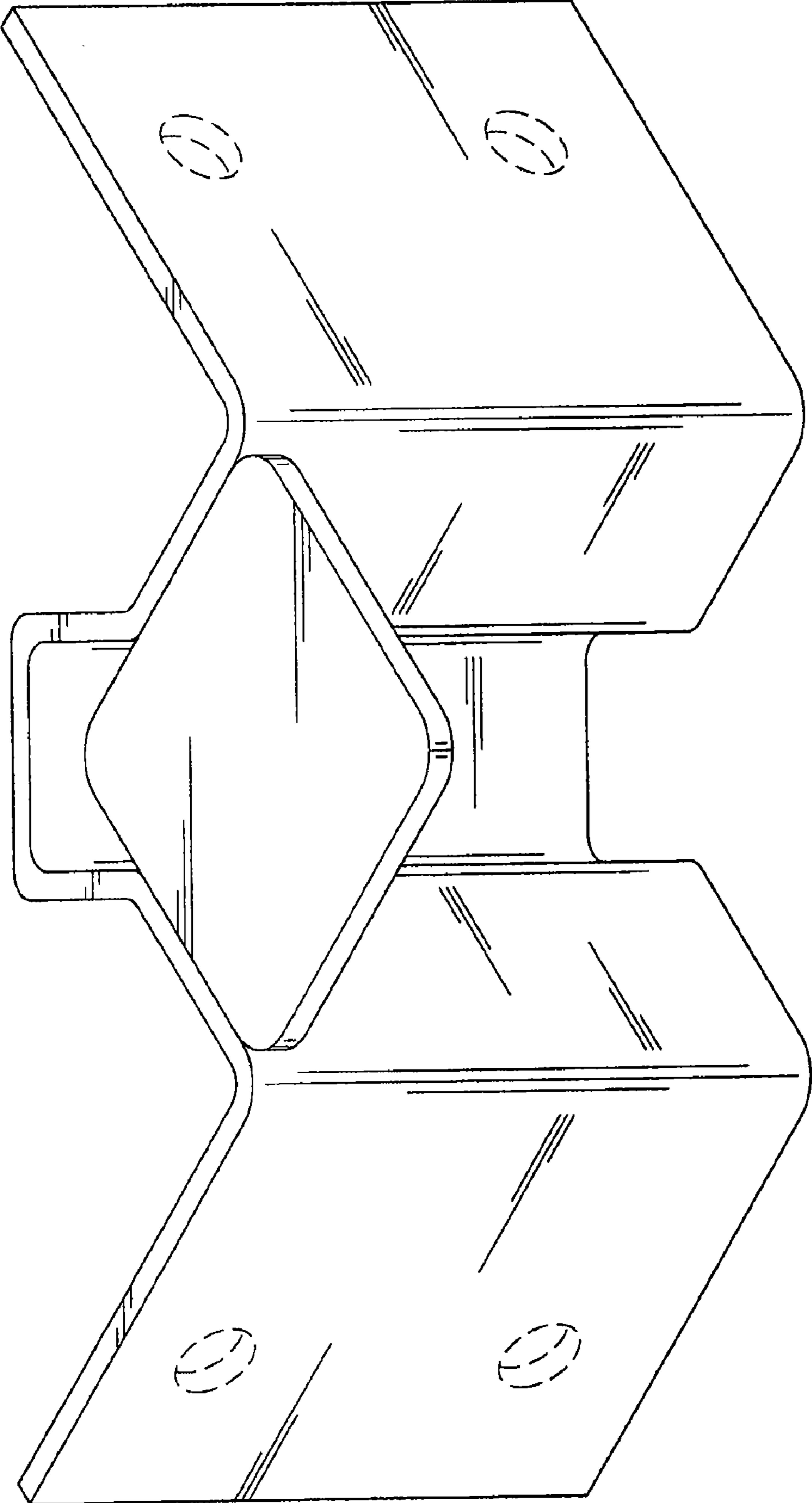


FIG. 2

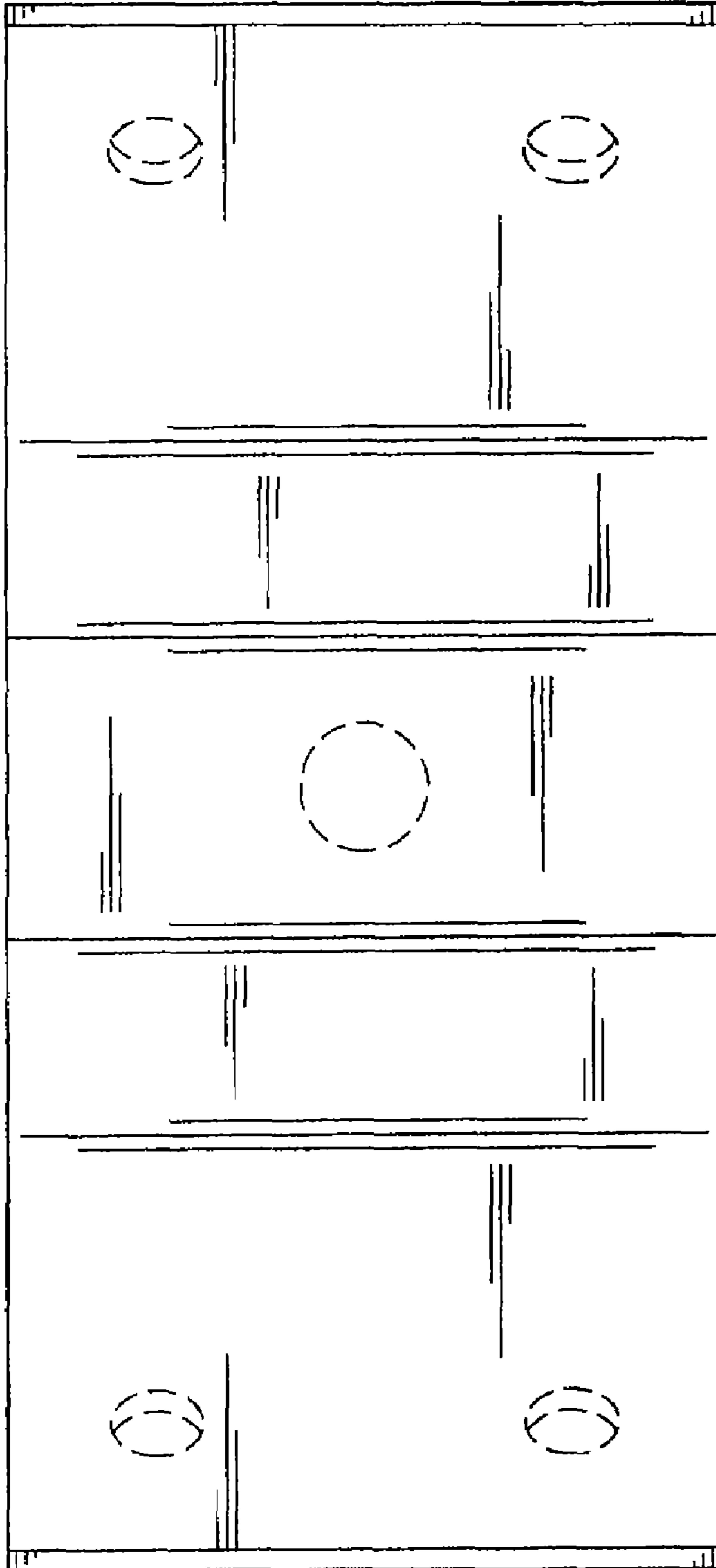


FIG. 3

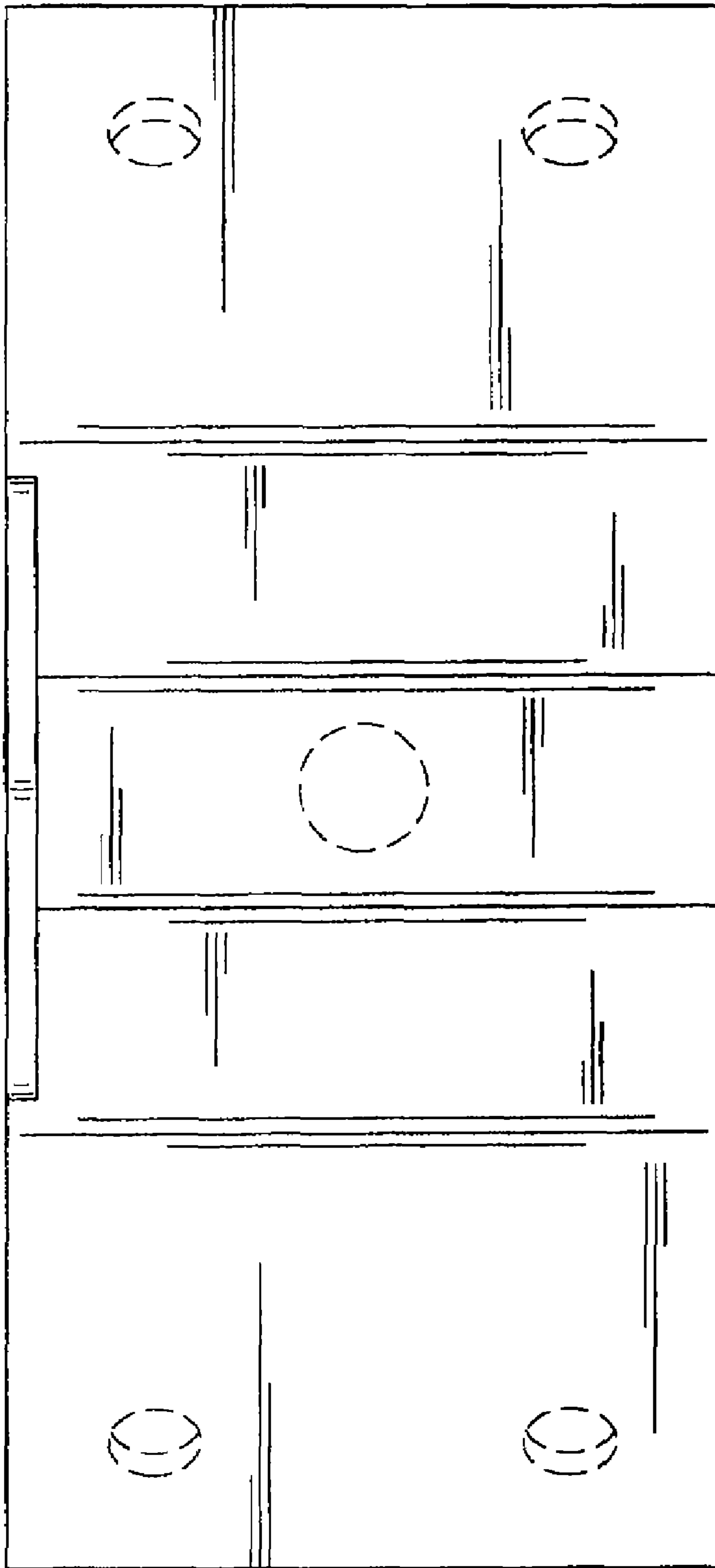


FIG. 4

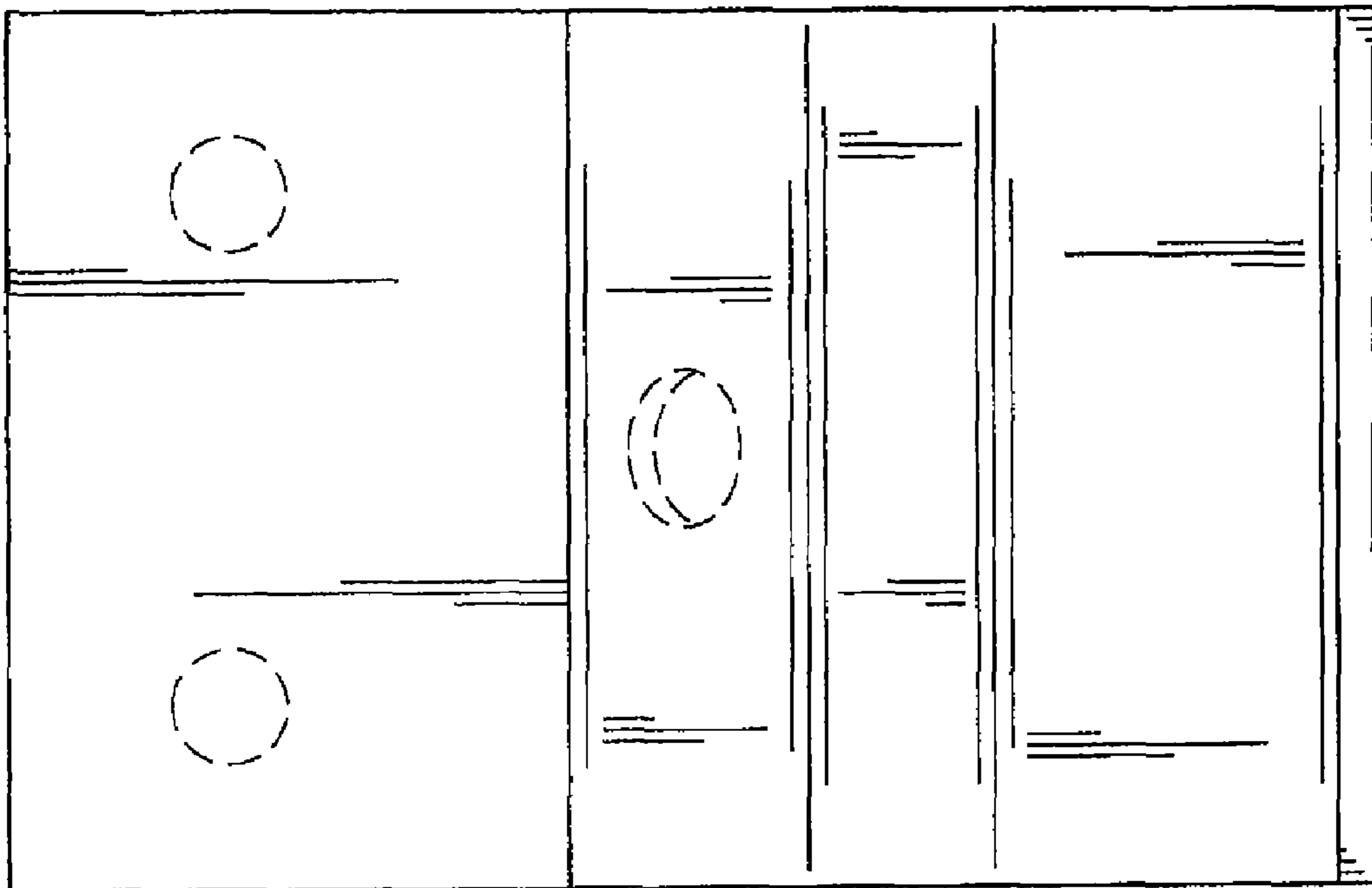


FIG. 5

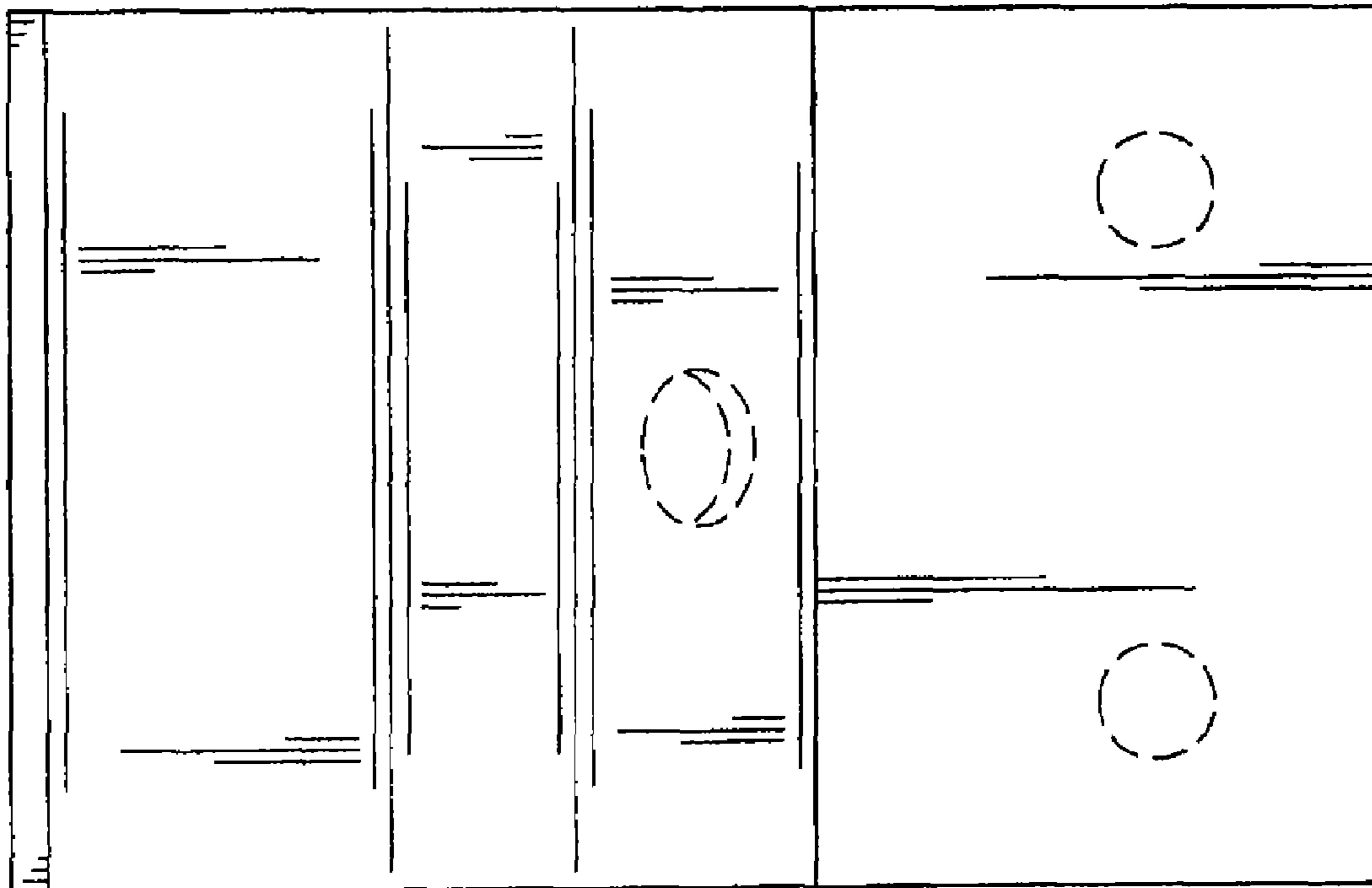


FIG. 6

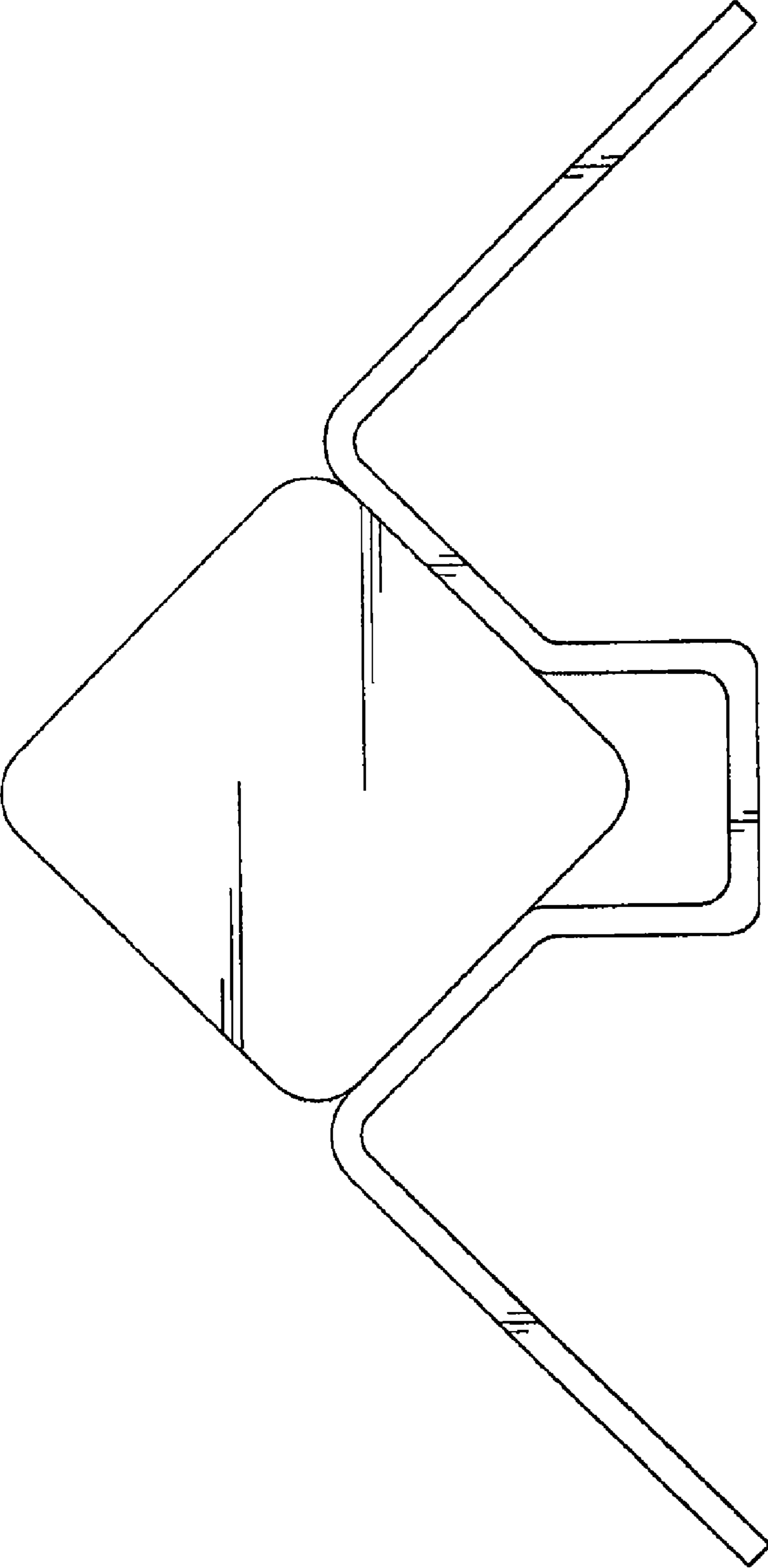


FIG. 7

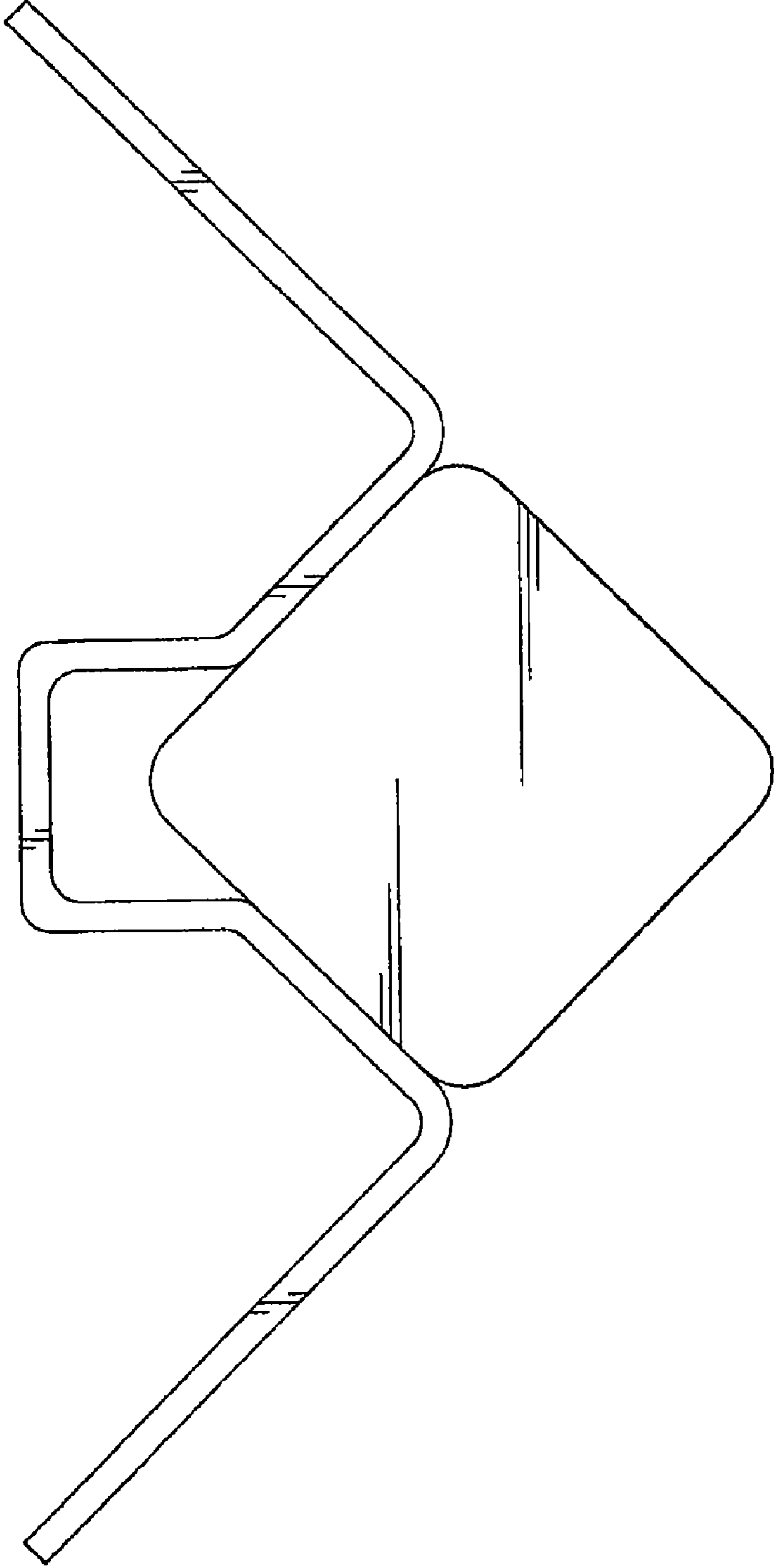


FIG. 8

UNITED STATES PATENT AND TRADEMARK OFFICE
CERTIFICATE OF CORRECTION

PATENT NO. : Des. 590,697 S
APPLICATION NO. : 29/326075
DATED : April 21, 2009
INVENTOR(S) : Townley

Page 1 of 10

It is certified that error appears in the above-identified patent and that said Letters Patent is hereby corrected as shown below:

On the title page of the patent replace Figure 1 with the attached Figure 1.

Delete drawing sheets 1-8 and insert the attached drawing sheets 1-8.

Signed and Sealed this
Thirtieth Day of June, 2009



JOHN DOLL
Acting Director of the United States Patent and Trademark Office

(12) **United States Design Patent**
Townley

(10) **Patent No.:** US D590,697 S
(45) **Date of Patent:** ** Apr. 21, 2009

(54) **STRUCTURAL SUPPORT BRACKET**

- (75) Inventor: **Jason S. Townley**, San Francisco, CA (US)
- (73) Assignee: **BMI Supply Incorporated**, Queensbury, NY (US)
- (**) Term: **14 Years**
- (21) Appl. No.: **29/326,075**
- (22) Filed: **Oct. 10, 2008**

"Leg-a-matic" Advertisement; Lighting & Sound America, Feb. 2008.

"Rings, Irons, Bolt Plates & Corners," p. 4 of Mutual Hardware Corporation catalog, 2005.

* cited by examiner

Primary Examiner—Holly H Baynham

Assistant Examiner—Cynthia M Chin

(74) *Attorney, Agent, or Firm*—Heslin Rothenberg Farley & Mesiti P.C.

Related U.S. Application Data

- (62) Division of application No. 29/299,032, filed on Dec. 18, 2007, now Pat. No. Des. 579,321.

- (51) **LOC (9) Cl.** 08-05
- (52) **U.S. Cl.** D8/354
- (58) **Field of Classification Search** D8/349, D8/354, 366, 382; D25/68, 119, 121, 126, D25/133; 248/205.1, 247, 248, 309.1; 52/696
See application file for complete search history.

(56) **References Cited**

U.S. PATENT DOCUMENTS

- D288,407 S * 2/1987 St. Alban D8/354
- D342,011 S * 12/1993 Maguire D8/349
- D432,671 S * 10/2000 Grosfillex D25/119
- D511,217 S * 11/2005 Bullock et al. D25/119
- D551,537 S * 9/2007 Richardson D8/354
- D579,321 S 10/2008 Townley

OTHER PUBLICATIONS

"Leg-a-matic" by Theatrical Hardware Inc. Products website [www.theatricalhardware.com/products.html] 2007.

(57) **CLAIM**

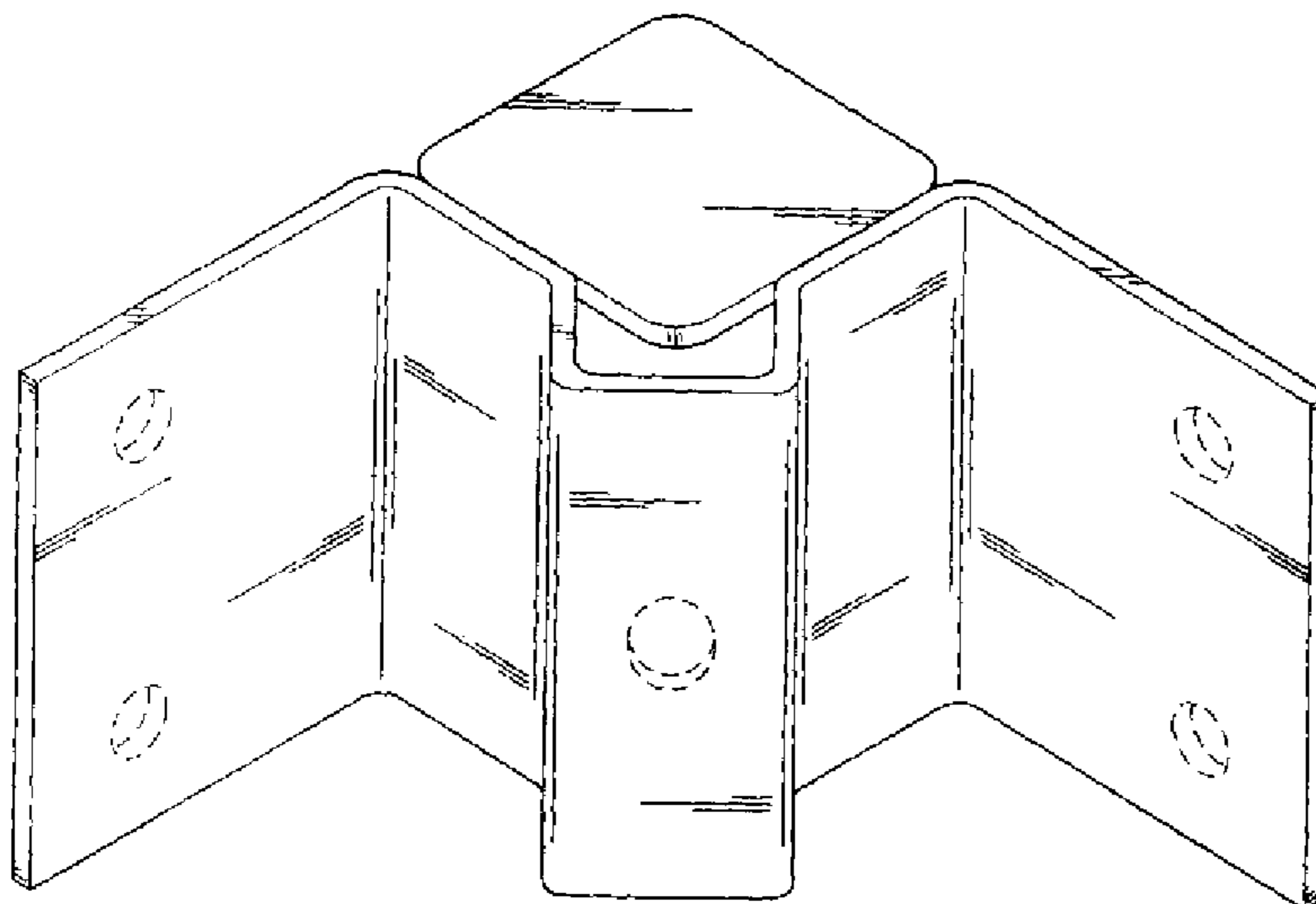
The ornamental design for a structural support bracket, as shown and described.

DESCRIPTION

- FIG. 1 is a front perspective view of a structural support bracket comprising the new design;
- FIG. 2 is a rear perspective view thereof;
- FIG. 3 is a front elevation view thereof;
- FIG. 4 is a rear elevation view thereof;
- FIG. 5 is a right side elevation view thereof;
- FIG. 6 is a left side elevation view thereof;
- FIG. 7 is a top view thereof; and,
- FIG. 8 is a bottom view thereof.

The broken lines are for illustrative purposes and form no part of the claimed design.

1 Claim, 8 Drawing Sheets



U.S. Patent

Apr. 21, 2009

Sheet 1 of 8

D590,697 S

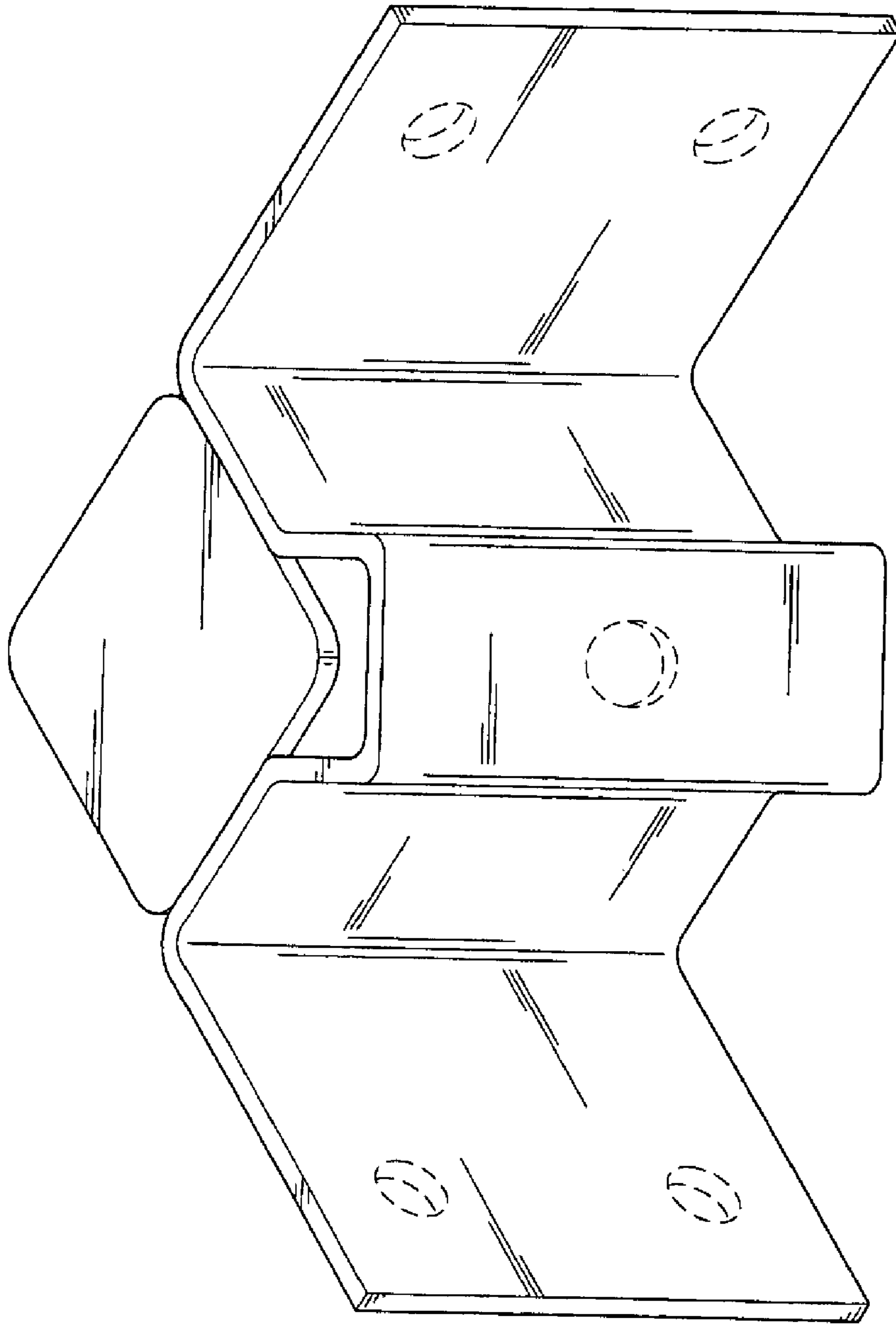


FIG. 1

U.S. Patent

Apr. 21, 2009

Sheet 2 of 8

D590,697 S

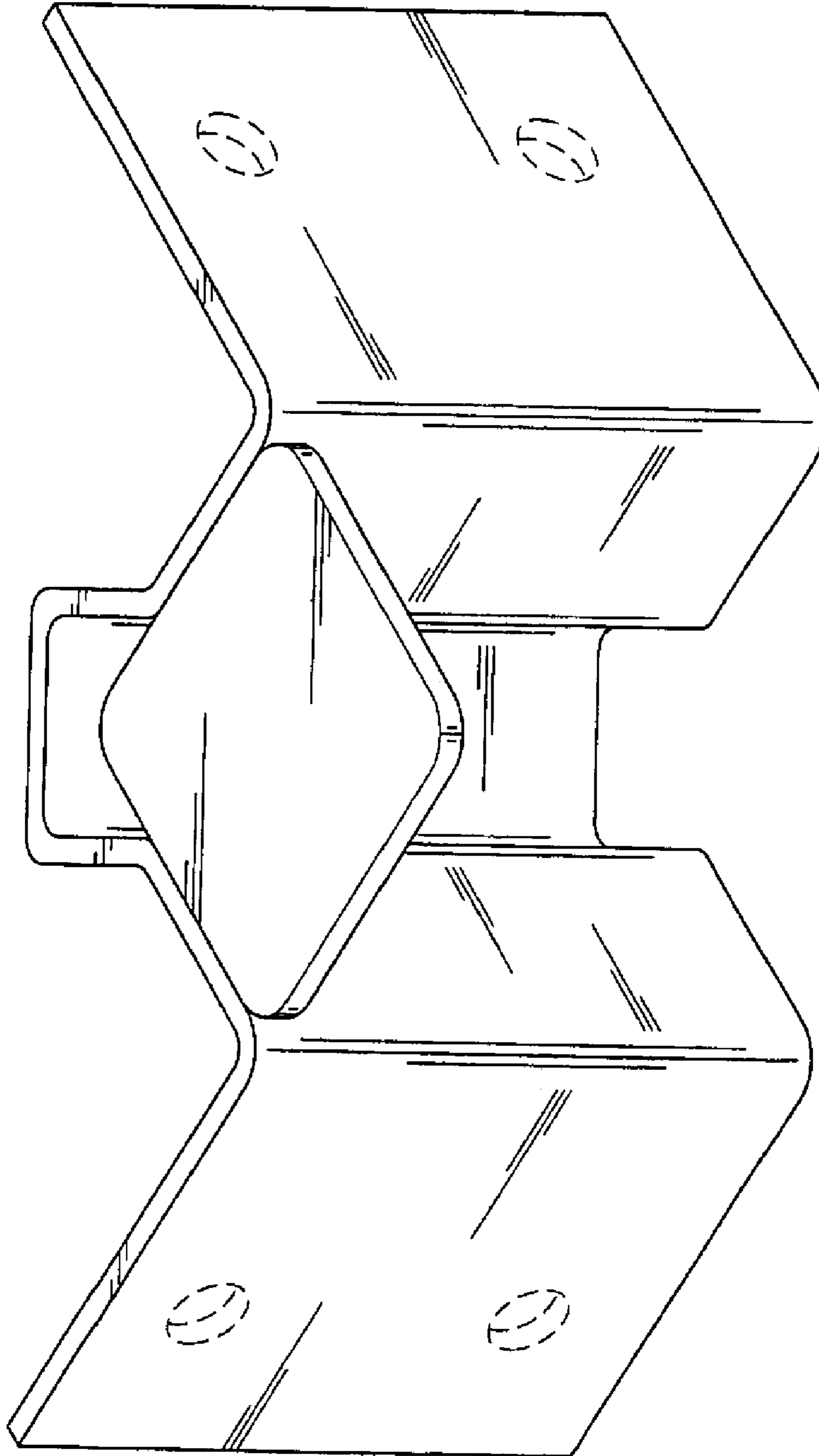


FIG. 2

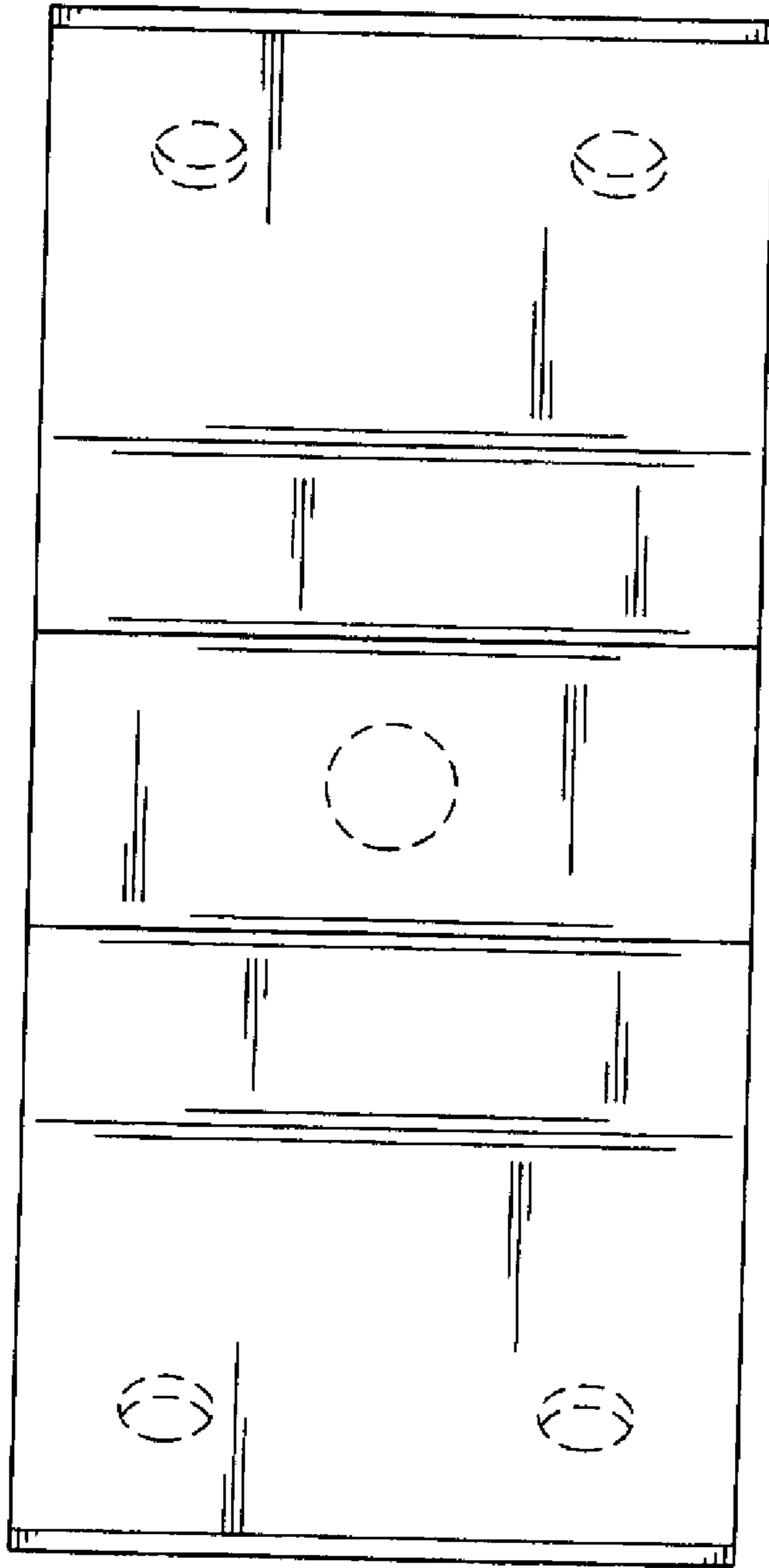


FIG. 3

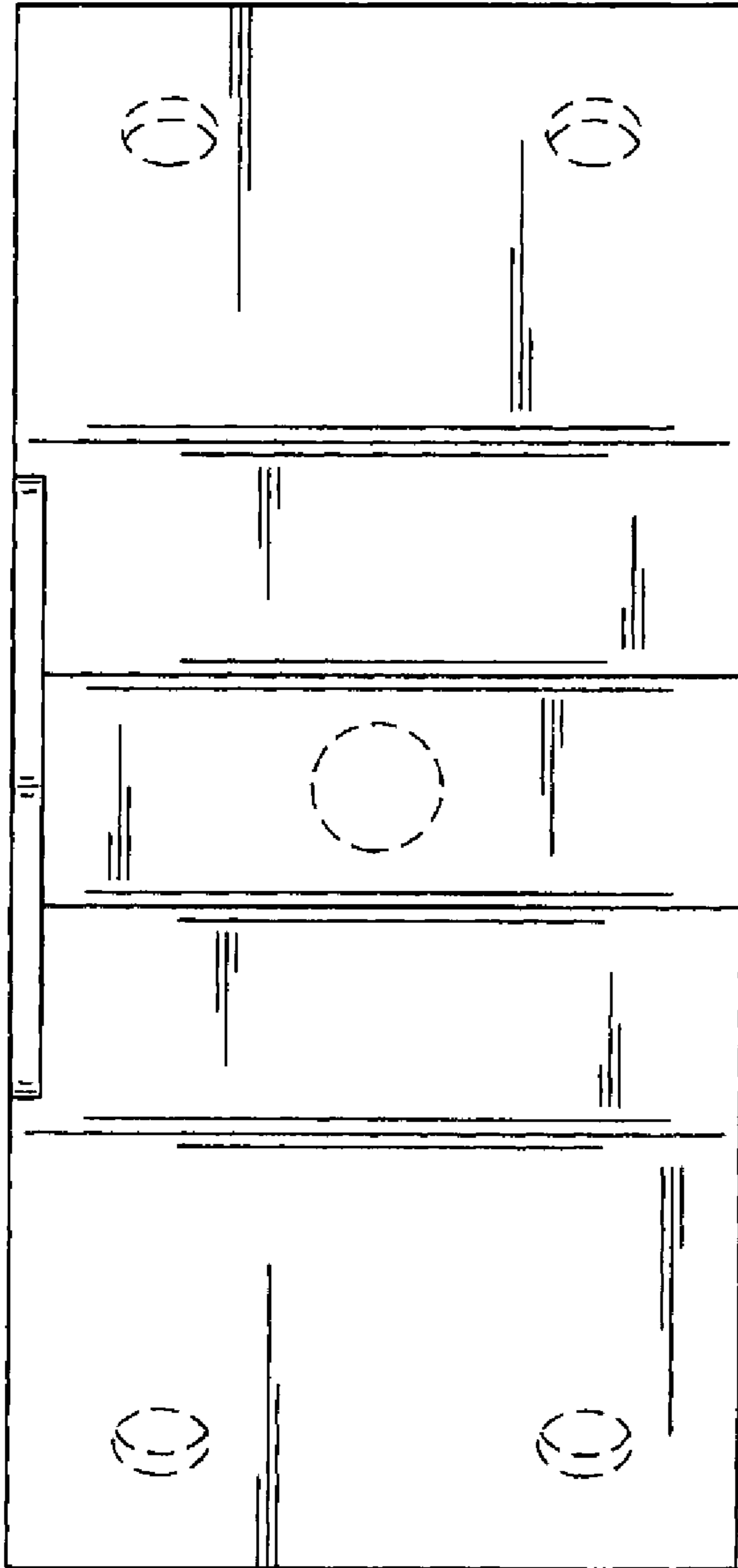


FIG. 4

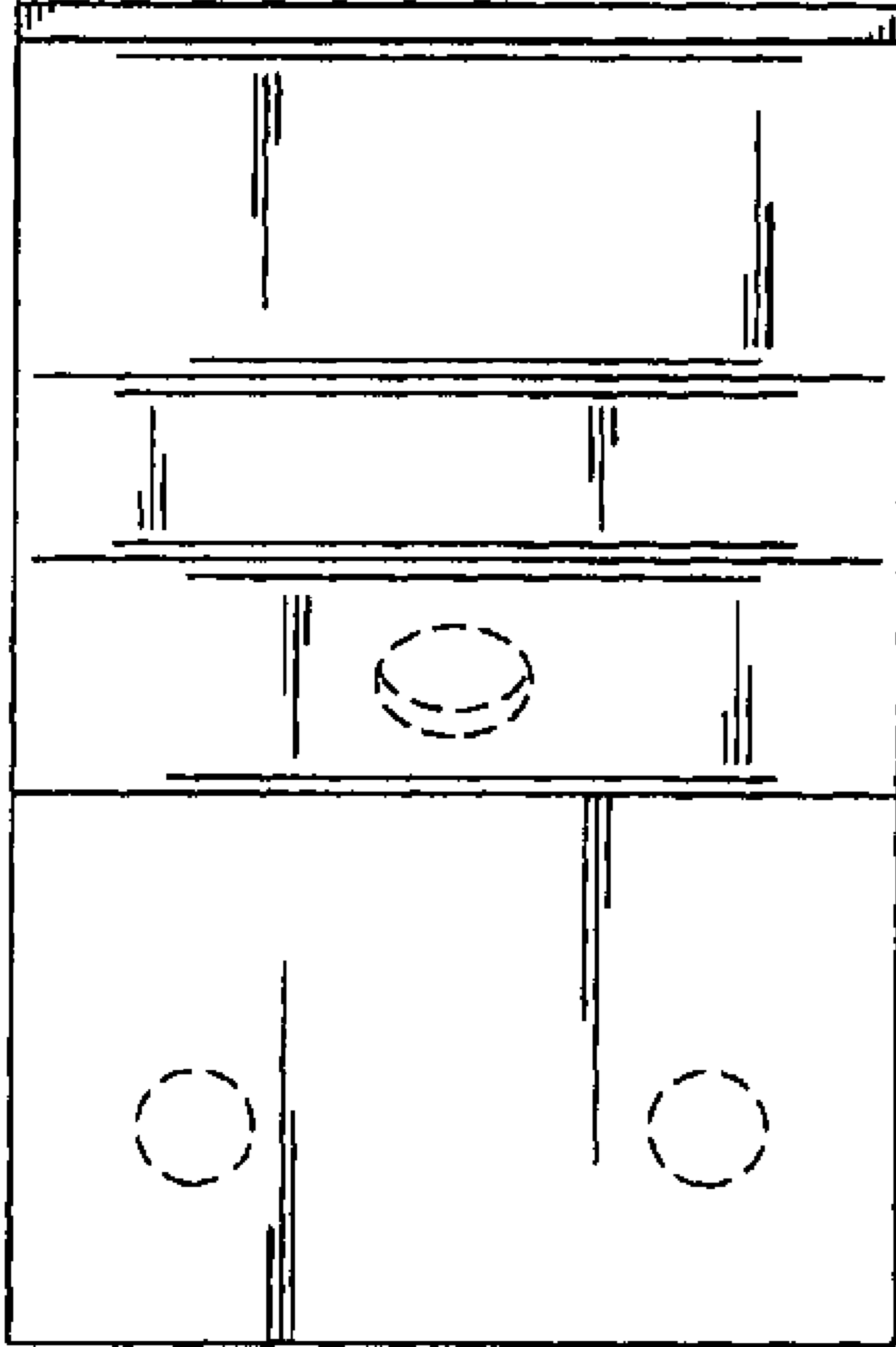


FIG. 5

U.S. Patent

Apr. 21, 2009

Sheet 6 of 8

D590,697 S

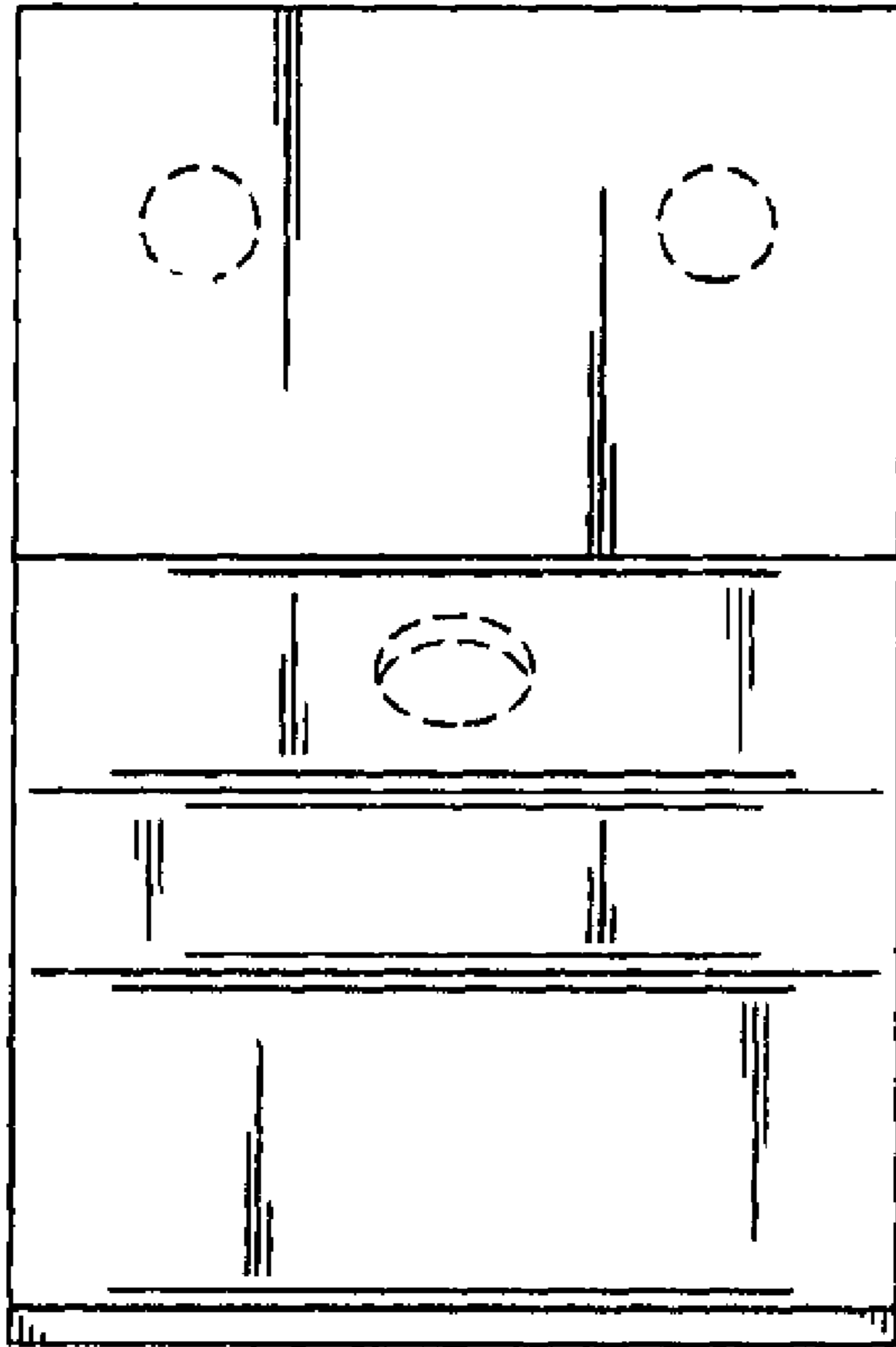


FIG. 6

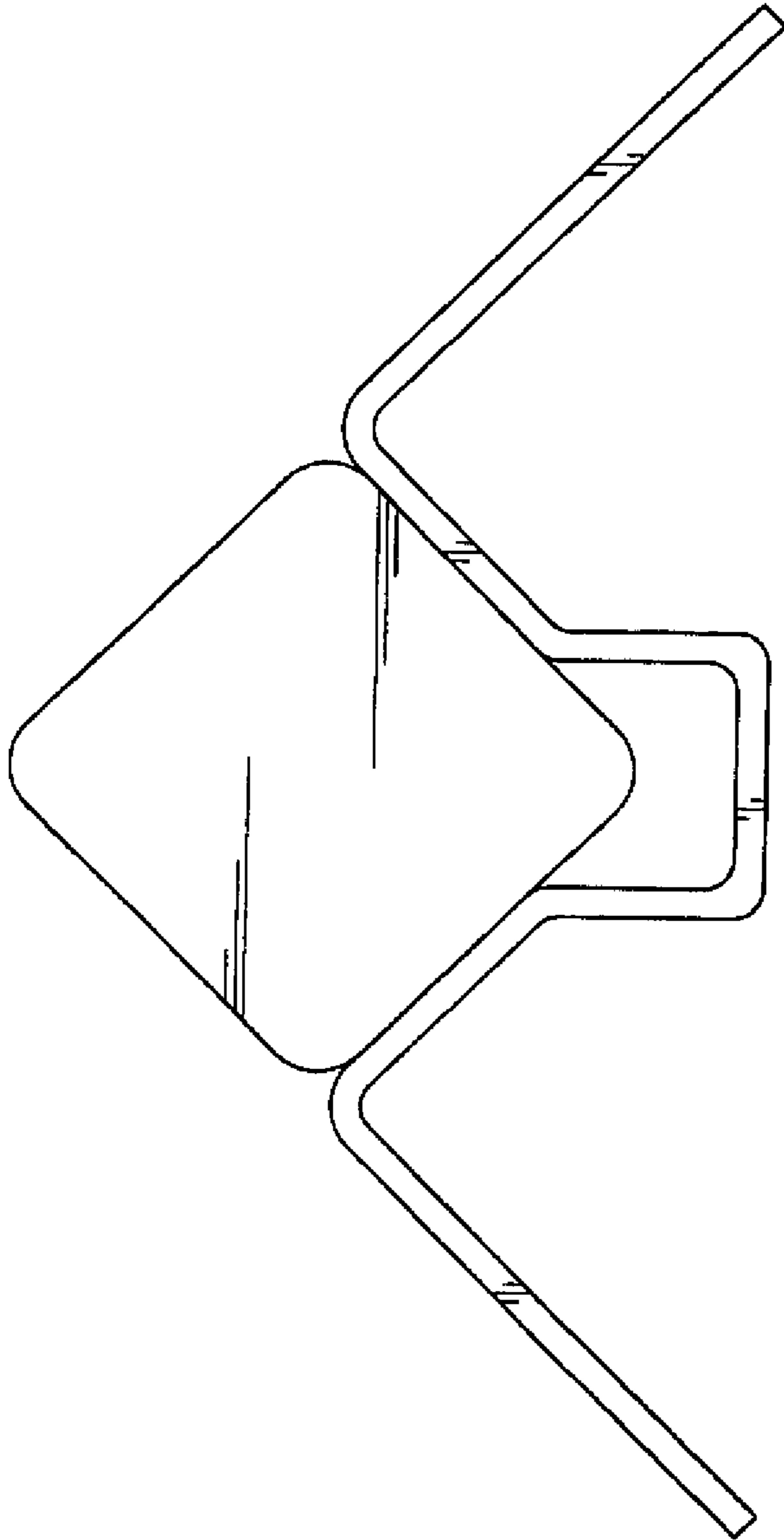


FIG. 7

U.S. Patent

Apr. 21, 2009

Sheet 8 of 8

D590,697 S

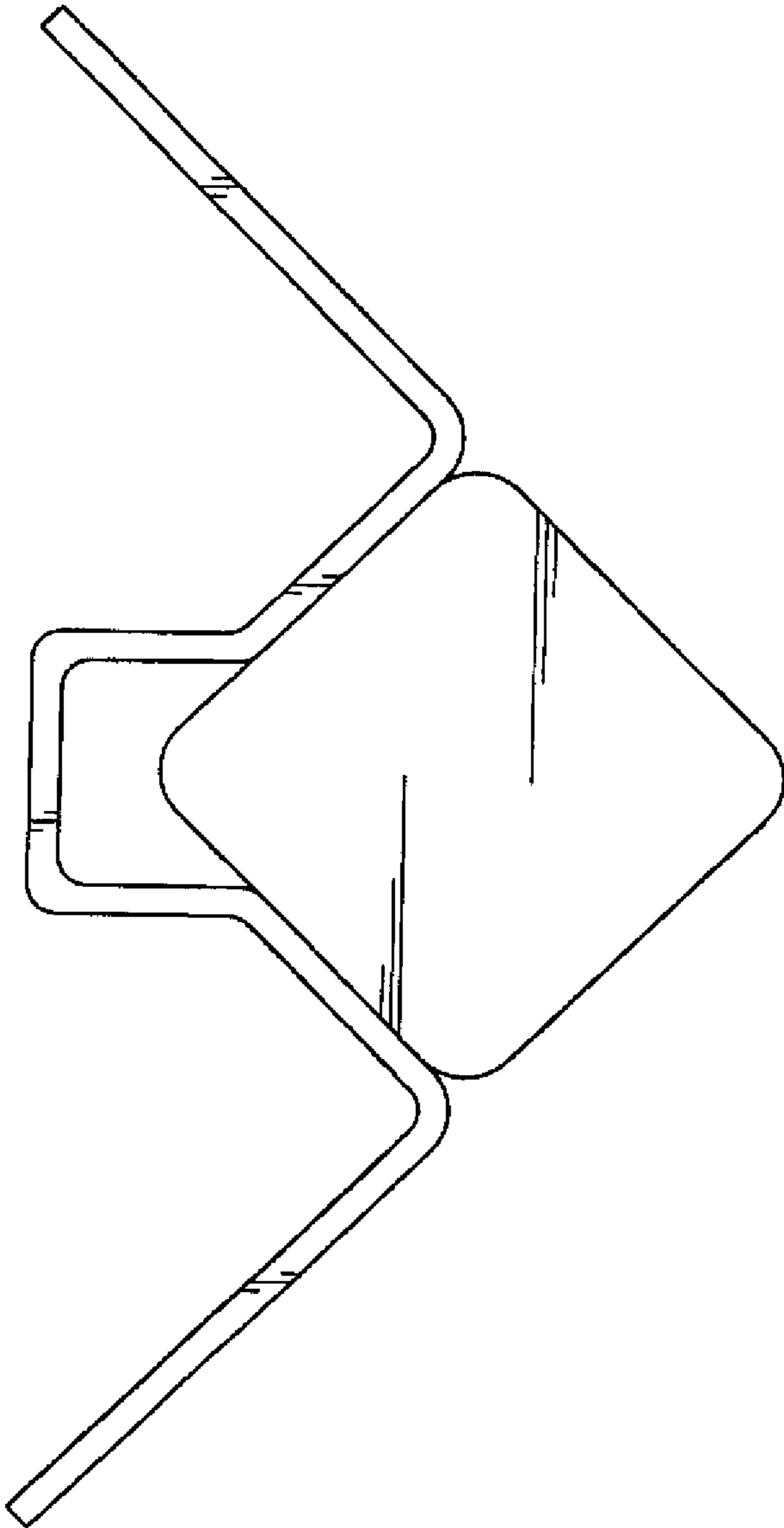


FIG. 8

UNITED STATES PATENT AND TRADEMARK OFFICE
CERTIFICATE OF CORRECTION

PATENT NO. : Des. 590,697 S
APPLICATION NO. : 29/326075
DATED : April 21, 2009
INVENTOR(S) : Townley

Page 1 of 10

It is certified that error appears in the above-identified patent and that said Letters Patent is hereby corrected as shown below:

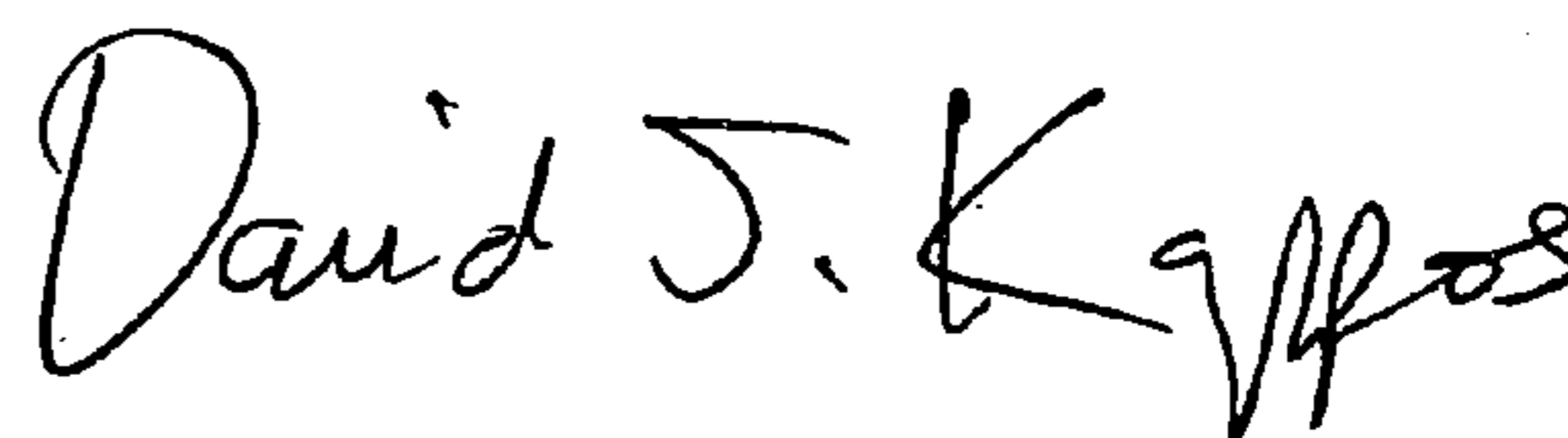
On the title page of the patent replace Figure 1 with the attached Figure 1.

Delete drawing sheets 1-8 and insert the attached drawing sheets 1-8.

This certificate supersedes the Certificate of Correction issued June 30, 2009.

Signed and Sealed this

Fifth Day of January, 2010

A handwritten signature in black ink that reads "David J. Kappos". The signature is written in a cursive, flowing style.

David J. Kappos
Director of the United States Patent and Trademark Office

(12) **United States Design Patent**
Townley

(10) **Patent No.:** **US D590,697 S**
 (45) **Date of Patent:** **** Apr. 21, 2009**

(54) **STRUCTURAL SUPPORT BRACKET**

(75) **Inventor:** **Jason S. Townley**, San Francisco, CA (US)

(73) **Assignee:** **BMI Supply Incorporated**, Queensbury, NY (US)

(**) **Term:** **14 Years**

(21) **Appl. No.:** **29/326,075**

(22) **Filed:** **Oct. 10, 2008**

Related U.S. Application Data

(62) Division of application No. 29/299,032, filed on Dec. 18, 2007, now Pat. No. Des. 579,321.

- (51) **LOC (9) Cl.** **08-05**
- (52) **U.S. Cl.** **D8/354**
- (58) **Field of Classification Search** D8/349, D8/354, 366, 382; D25/68, 119, 121, 126, D25/133; 248/205.1, 247, 248, 309.1; 52/696
 See application file for complete search history.

(56) **References Cited**

U.S. PATENT DOCUMENTS

- D288,407 S * 2/1987 St. Alban D8/354
- D342,011 S * 12/1993 Maguire D8/349
- D432,671 S * 10/2000 Grosfillex D25/119
- D511,217 S * 11/2005 Bullock et al. D25/119
- D551,537 S * 9/2007 Richardson D8/354
- D579,321 S 10/2008 Townley

OTHER PUBLICATIONS

"Leg-a-matic" by Theatrical Hardware Inc. Products website [www.theatricalhardware.com/products.html] 2007.

"Leg-a-matic" Advertisement; Lighting & Sound America. Feb. 2008.

"Rings, Irons, Bolt Plates & Corners." p. 4 of Mutual Hardware Corporation catalog, 2005.

* cited by examiner

Primary Examiner—Holly H Baynham

Assistant Examiner—Cynthia M Chin

(74) *Attorney, Agent, or Firm*—Heslin Rothenberg Farley & Mesiti P.C.

(57) **CLAIM**

The ornamental design for a structural support bracket, as shown and described.

DESCRIPTION

FIG. 1 is a front perspective view of a structural support bracket comprising the new design;

FIG. 2 is a rear perspective view thereof;

FIG. 3 is a front elevation view thereof;

FIG. 4 is a rear elevation view thereof;

FIG. 5 is a right side elevation view thereof;

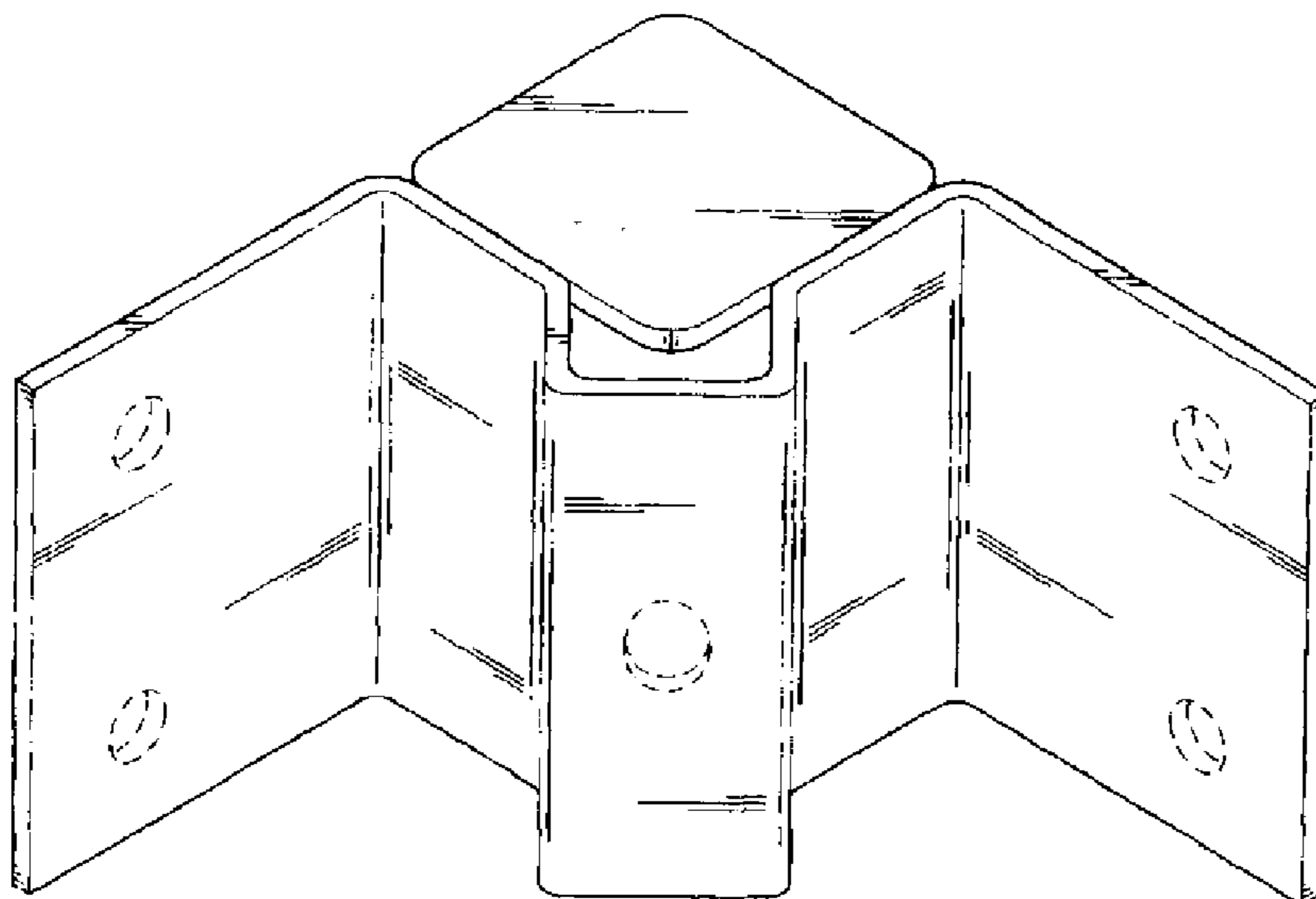
FIG. 6 is a left side elevation view thereof;

FIG. 7 is a top view thereof; and,

FIG. 8 is a bottom view thereof.

The broken lines are for illustrative purposes and form no part of the claimed design.

1 Claim, 8 Drawing Sheets



U.S. Patent

Apr. 21, 2009

Sheet 1 of 8

D590,697 S

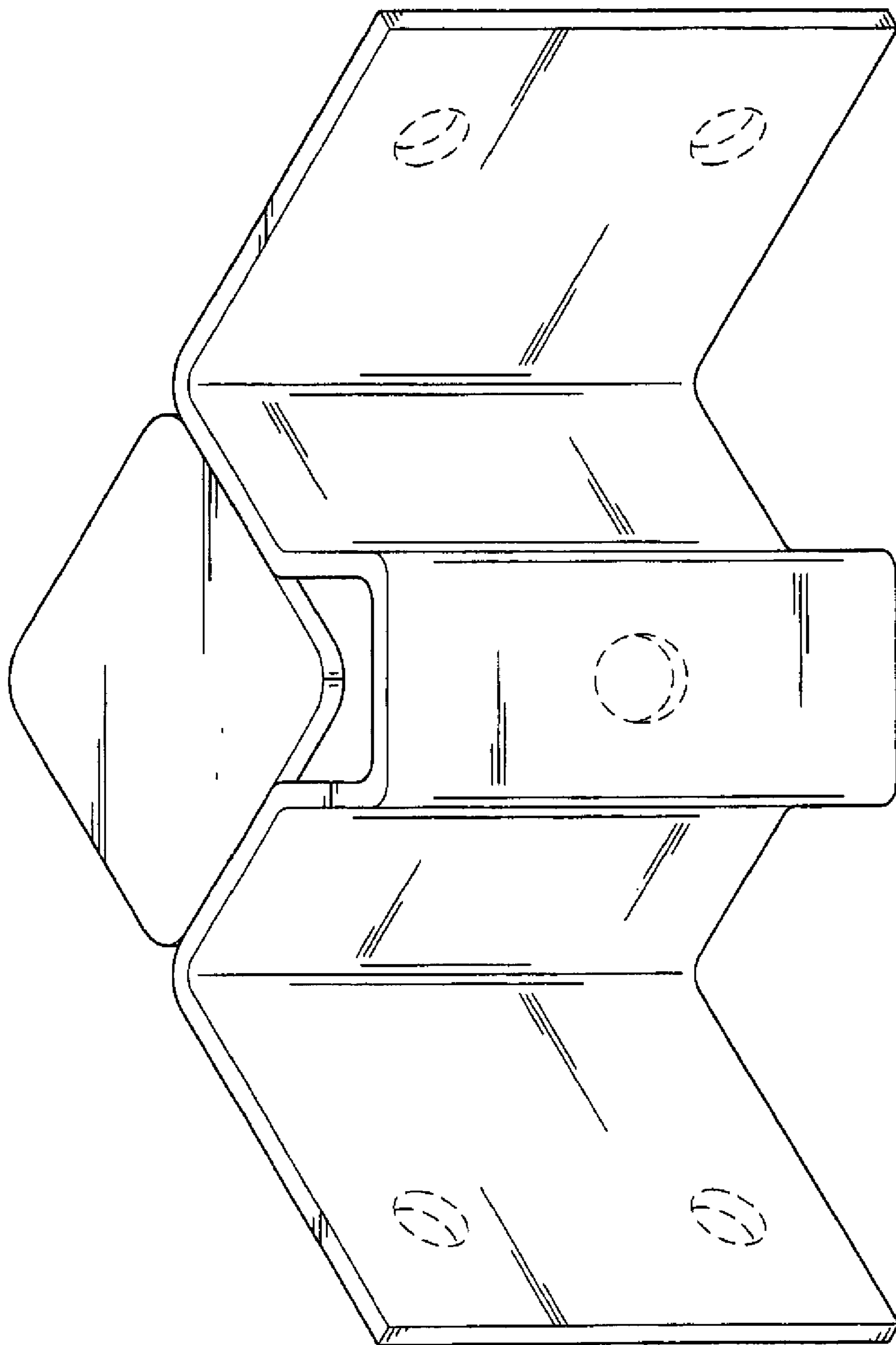


FIG. 1

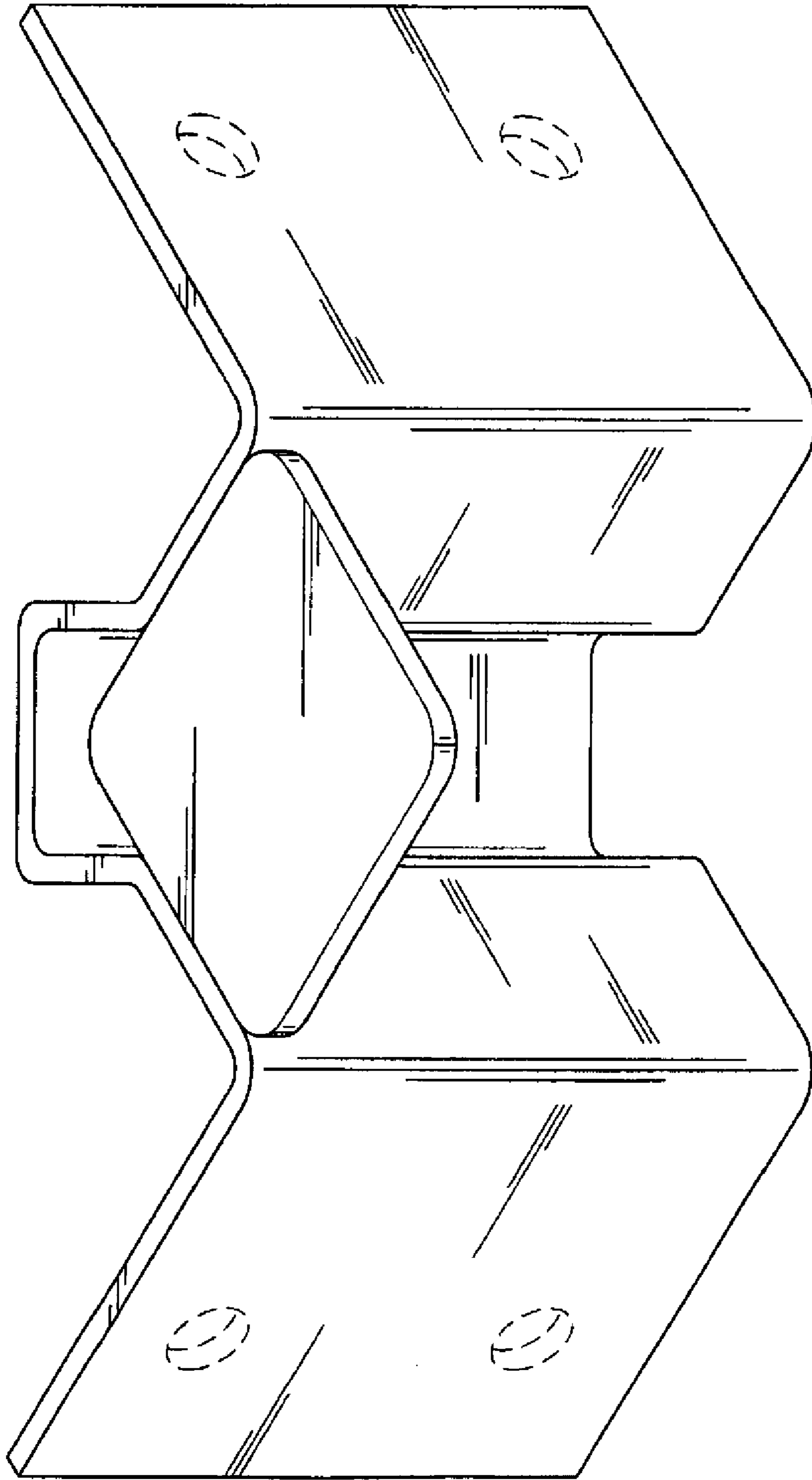


FIG. 2

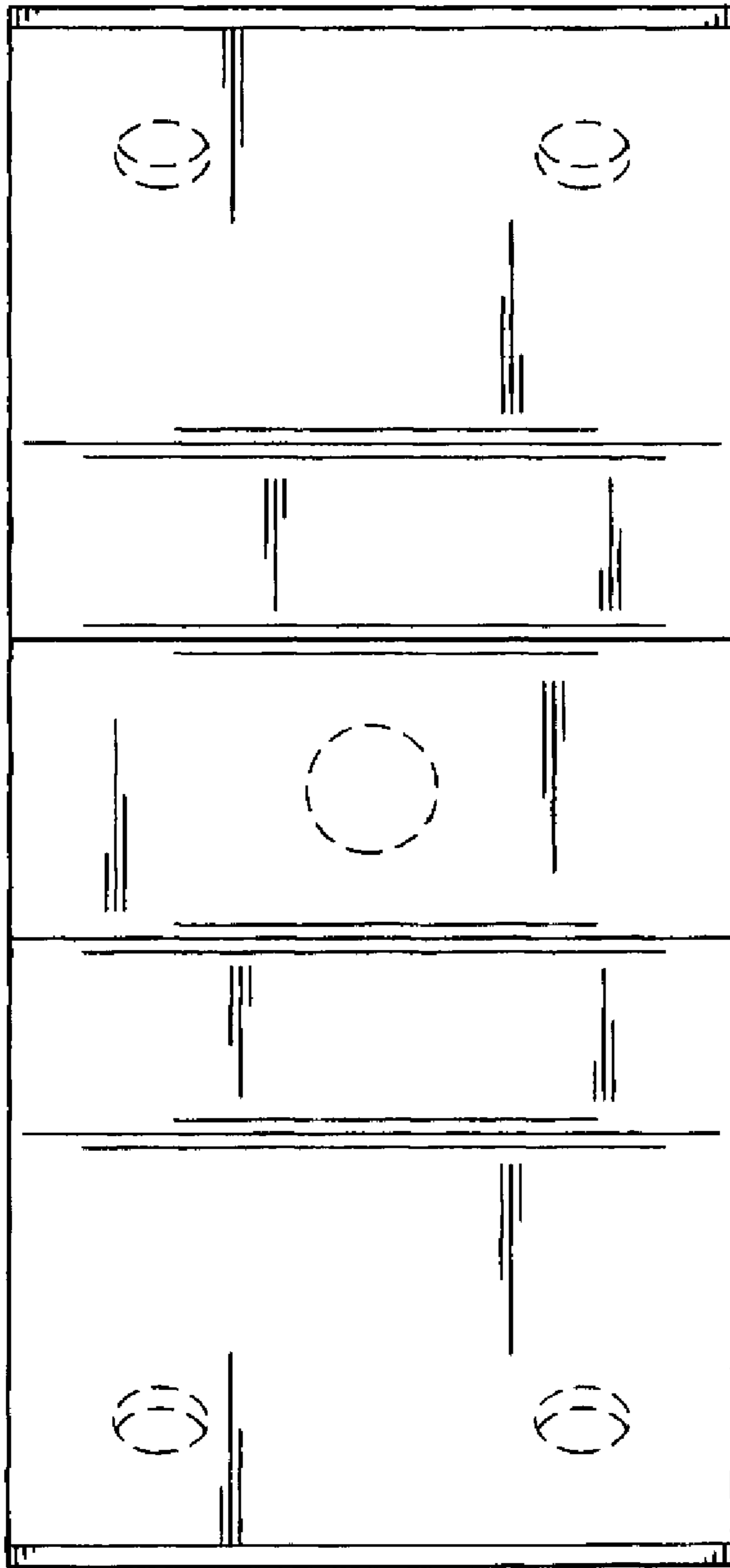


FIG. 3

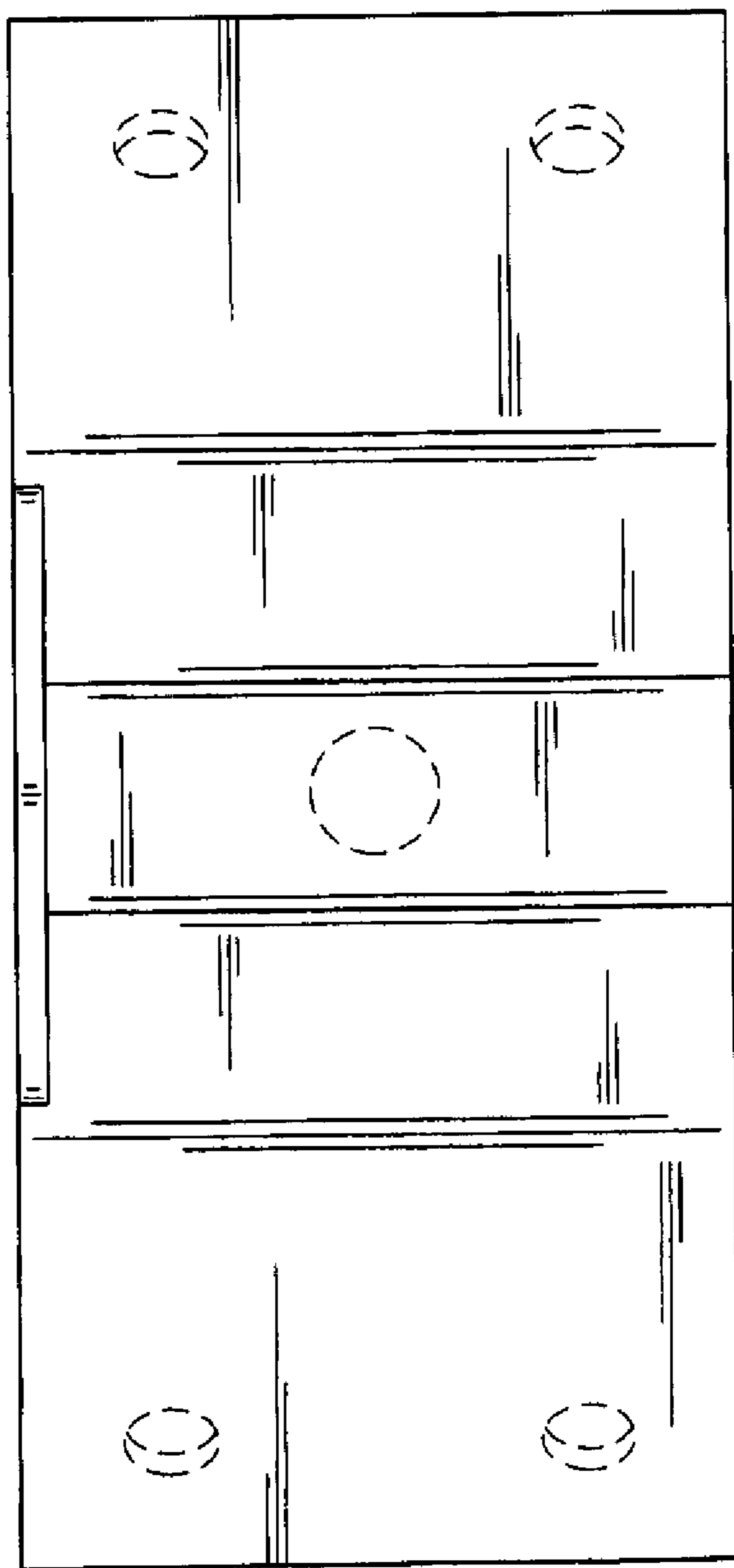


FIG. 4

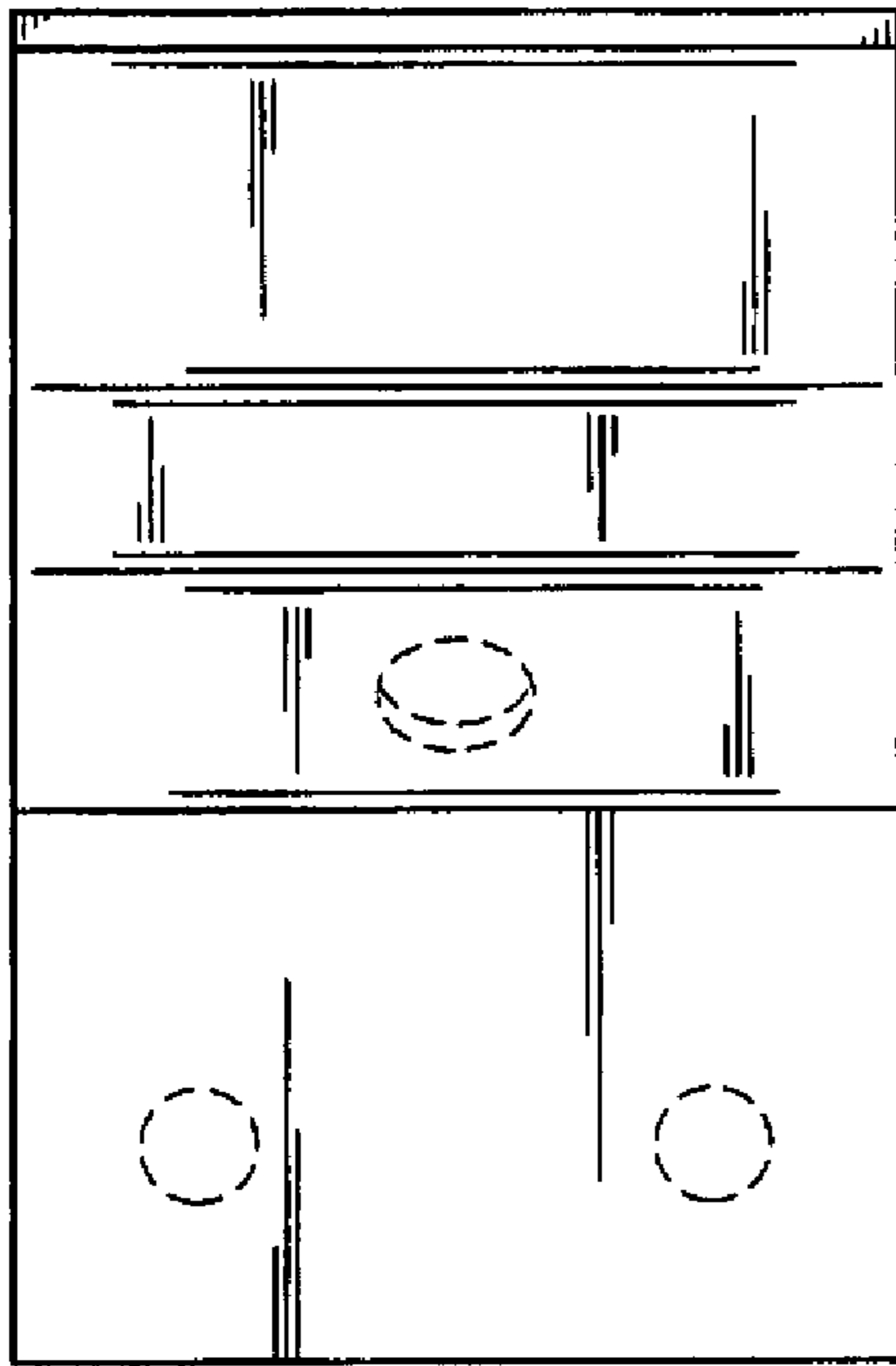


FIG. 5

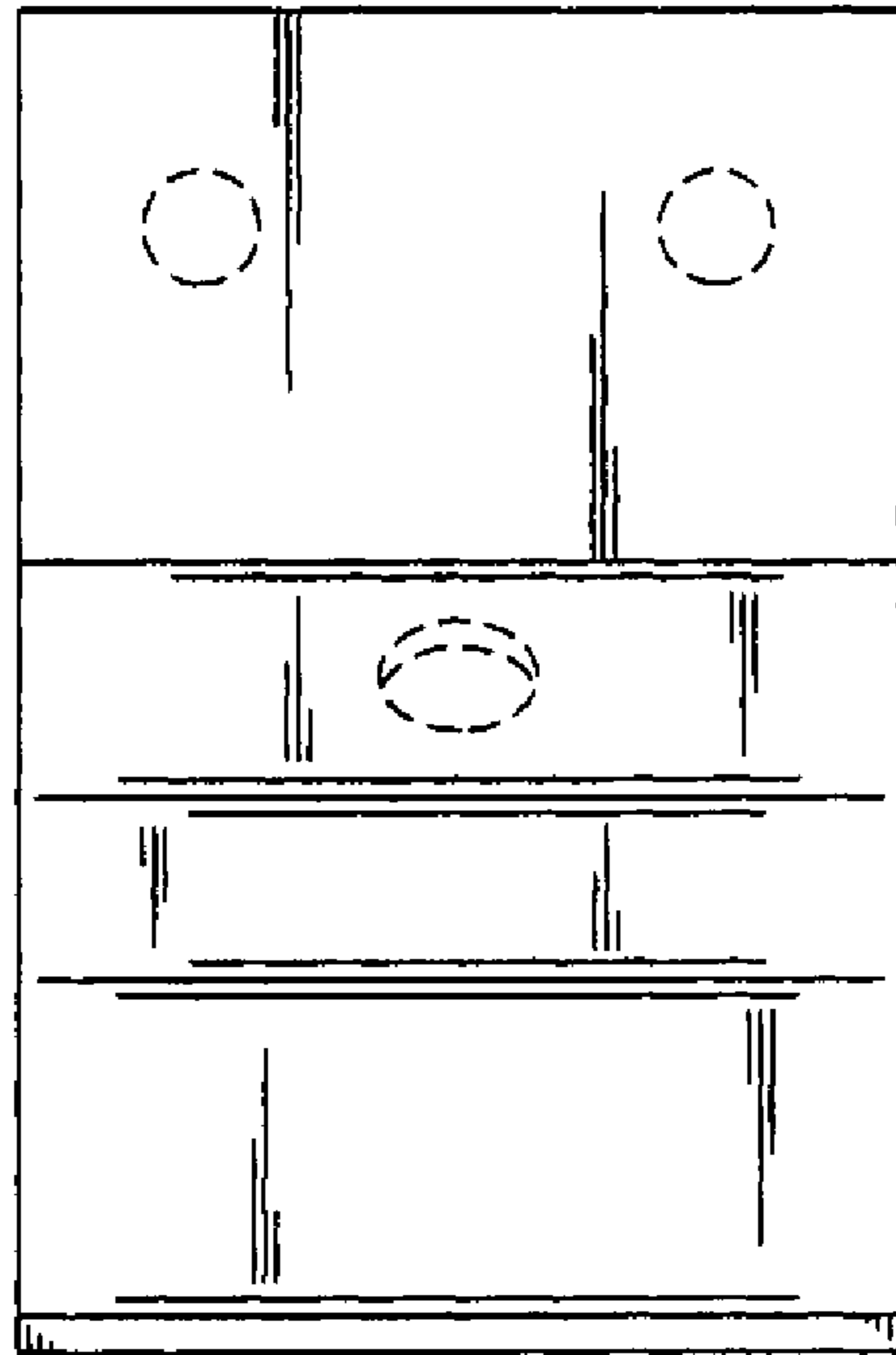


FIG. 6

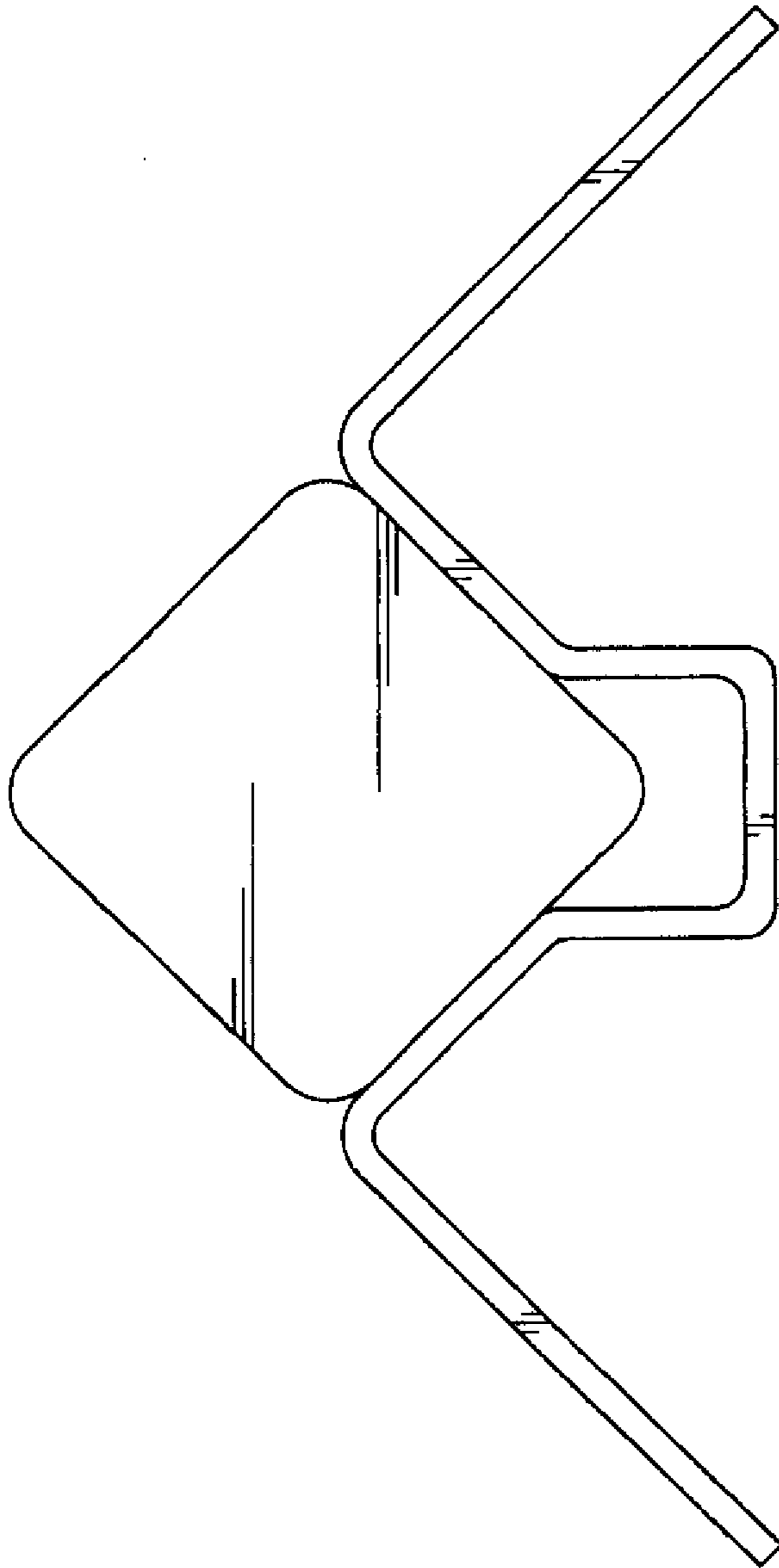


FIG. 7

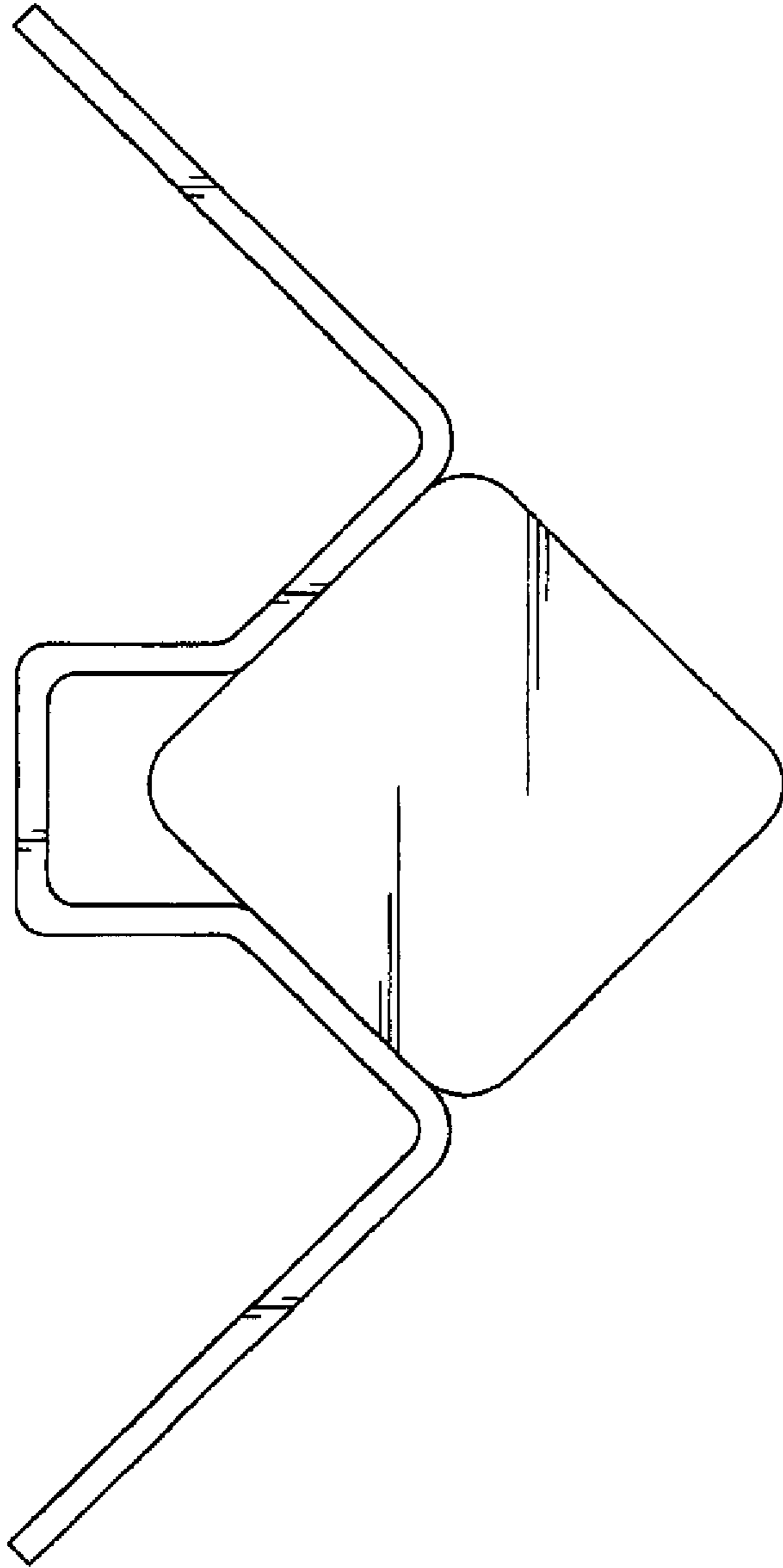


FIG. 8