



US00D590696S

(12) **United States Design Patent**  
**Carnevali**

(10) **Patent No.:** **US D590,696 S**

(45) **Date of Patent:** **\*\* Apr. 21, 2009**

(54) **SUCTION CUP CLAMP**

(76) **Inventor:** **Jeffrey D. Carnevali**, 5957 Beach Dr.,  
SW., Seattle, WA (US) 98136

(\*\*) **Term:** **14 Years**

(21) **Appl. No.:** **29/294,159**

(22) **Filed:** **Dec. 24, 2007**

D345,903 S *	4/1994	Adams et al.	.....	D8/349
D376,308 S *	12/1996	Lee	.....	D8/354
5,639,134 A *	6/1997	Rusch et al.	.....	294/64.1
D388,691 S *	1/1998	Adams	.....	D8/354
D391,837 S *	3/1998	Adams	.....	D8/354
D408,725 S *	4/1999	Adams	.....	D8/373
D423,329 S *	4/2000	Adams	.....	D8/354
D446,623 S *	8/2001	Smith	.....	D34/35
D490,201 S *	5/2004	Liao	.....	D34/28
D506,380 S *	6/2005	Chu	.....	D8/349
D510,853 S *	10/2005	Liao	.....	D8/354
D553,478 S *	10/2007	Liao	.....	D8/354

**Related U.S. Application Data**

(63) Continuation-in-part of application No. 11/895,003,  
filed on Aug. 22, 2007.

(51) **LOC (9) Cl.** ..... **08-05**

(52) **U.S. Cl.** ..... **D8/354**

(58) **Field of Classification Search** ..... D8/14,  
D8/349, 154, 373, 394; D34/28, 35; 248/205.5,  
248/205.7, 208.8, 206.1, 206.2, 206.3, 309.3,  
248/362, 363, 537, 683; 294/64.1  
See application file for complete search history.

(56) **References Cited**

**U.S. PATENT DOCUMENTS**

3,152,828 A *	10/1964	Lytle	.....	294/64.1
3,627,369 A *	12/1971	Nixon	.....	294/64.1
D302,107 S *	7/1989	Adams	.....	D8/354
D327,215 S *	6/1992	Pestone	.....	D8/373
D332,390 S *	1/1993	Adams	.....	D8/373
D340,181 S *	10/1993	Adams et al.	.....	D8/354

\* cited by examiner

*Primary Examiner*—Holly H Baynham

*Assistant Examiner*—Cynthia M Chin

(74) *Attorney, Agent, or Firm*—Charles J. Rupnick, Attorney  
at Law

(57) **CLAIM**

The ornamental design for a suction cup clamp, as shown and  
described.

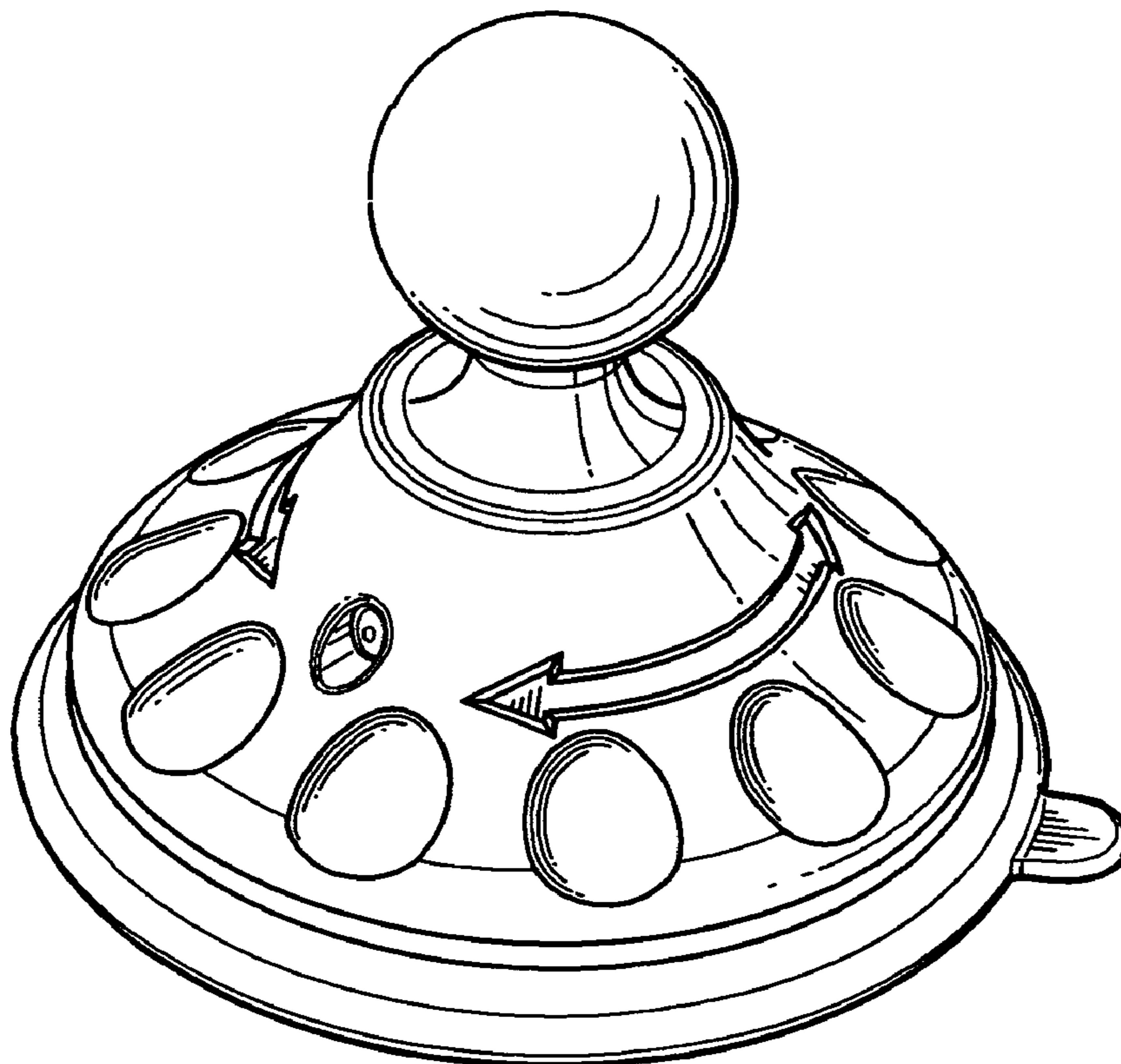
**DESCRIPTION**

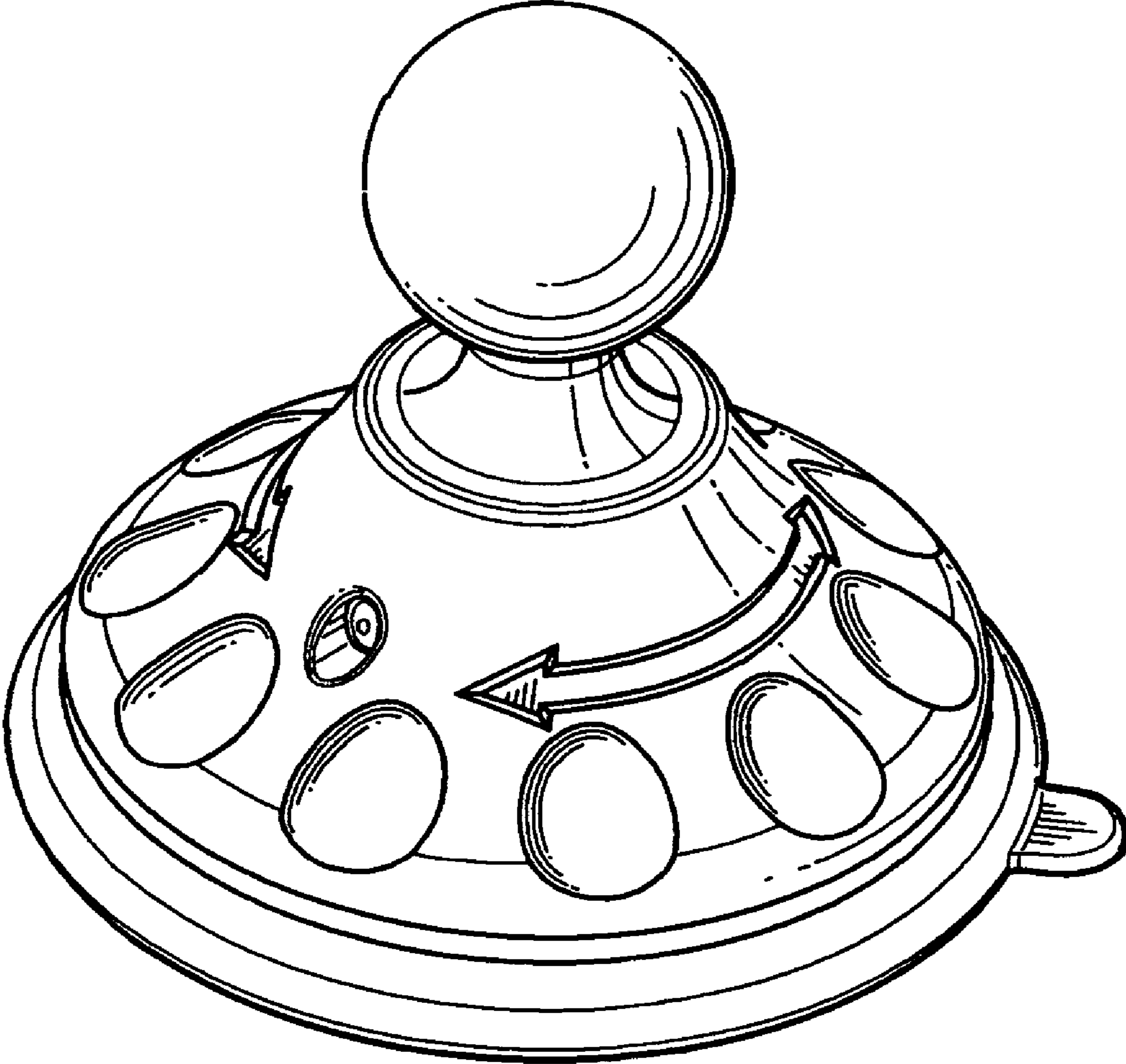
FIG. 1 is perspective view of a suction cup clamp showing my  
new design;

FIG. 2 is a top plan view thereof; and,

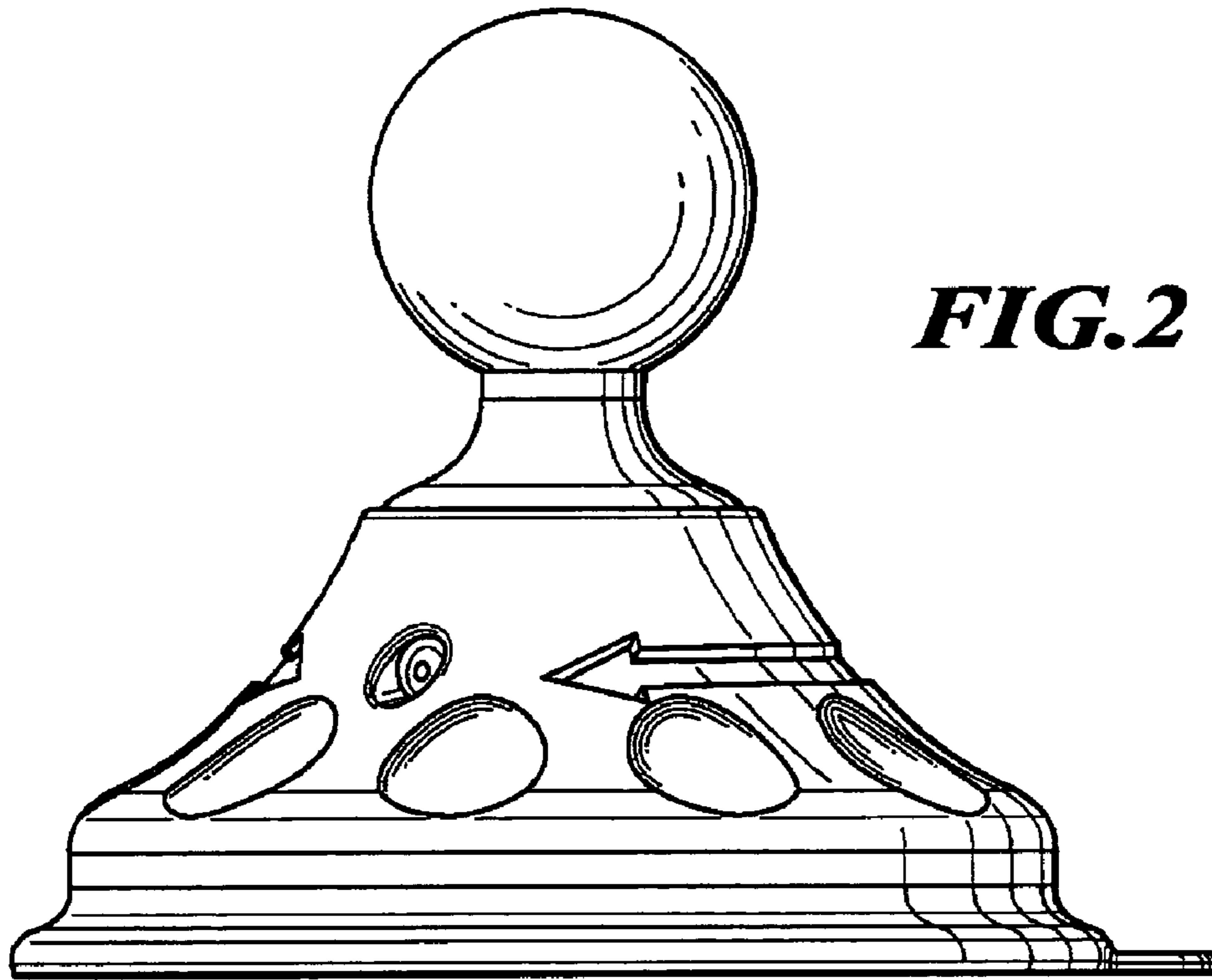
FIG. 3 is a side elevational view thereof.

**1 Claim, 2 Drawing Sheets**

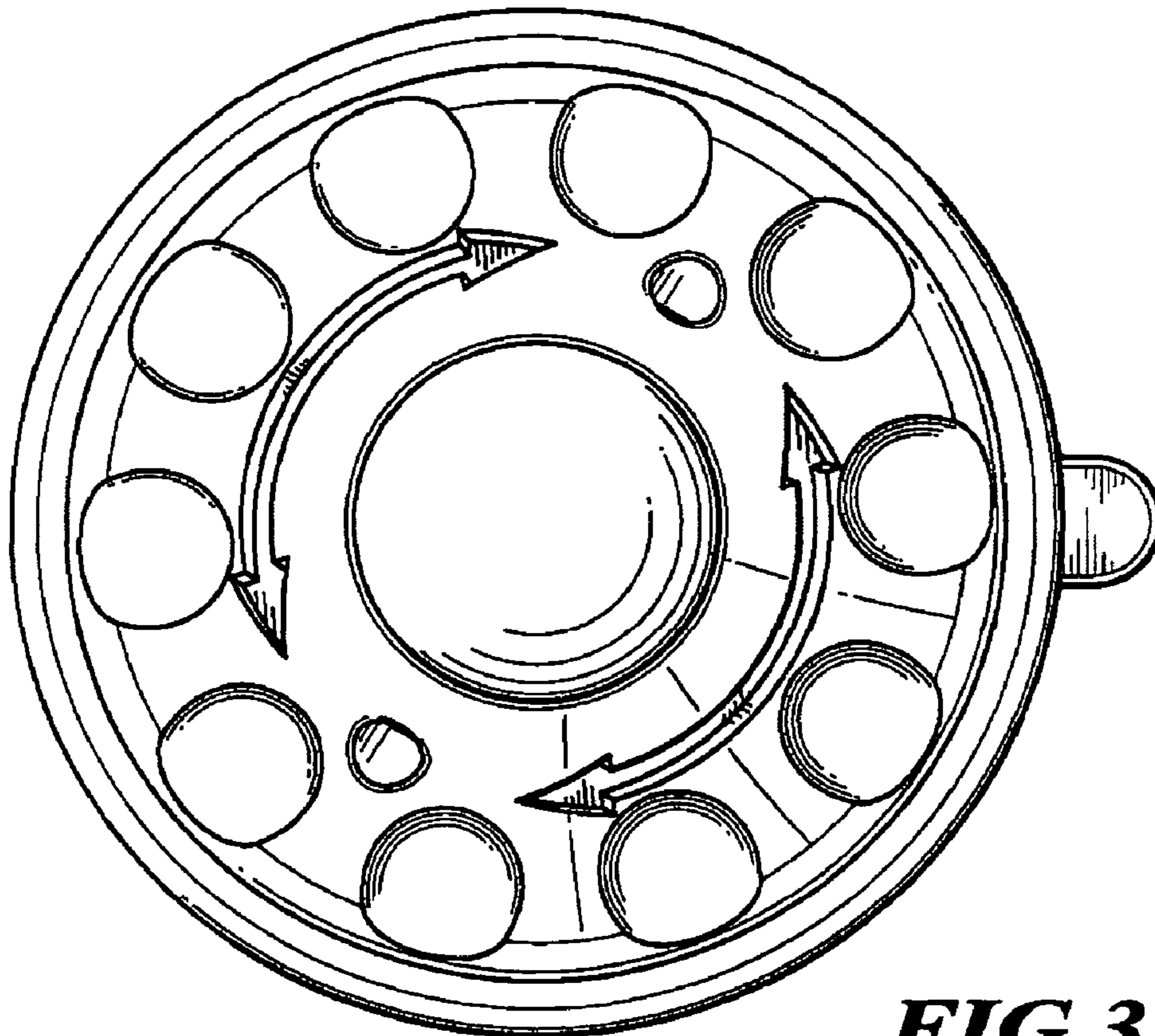




***FIG. 1***



**FIG. 2**



**FIG. 3**