



US00D590695S

(12) **United States Design Patent**
Wu

(10) **Patent No.:** **US D590,695 S**

(45) **Date of Patent:** **** Apr. 21, 2009**

(54) **PADLOCK**

D548,567 S * 8/2007 Smaldone D8/334
7,426,841 B2 * 9/2008 Yang 70/63

(76) Inventor: **Kun-Yu Wu**, No. 69-92, Sinshu Rd.,
Sinjhuang City, Taipei Hsien (TW)

* cited by examiner

(**) Term: **14 Years**

Primary Examiner—Prabhakar Deshmukh
(74) *Attorney, Agent, or Firm*—William E. Pelton, Esq.;
Cooper & Dunham LLP

(21) Appl. No.: **29/312,451**

(22) Filed: **Oct. 21, 2008**

(57) **CLAIM**

(51) **LOC (9) Cl.** **08-07**

The ornamental design for a padlock, as shown and described.

(52) **U.S. Cl.** **D8/334**

(58) **Field of Classification Search** D8/331,
D8/336–330, 334; 70/14, 20–22, 25, 26,
70/38 R, 38 A, 38 B, 284, 285, DIG. 9, DIG. 63,
70/DIG. 71

DESCRIPTION

See application file for complete search history.

FIG. 1 is a perspective view of a padlock showing my new design;

FIG. 2 is a front view thereof;

FIG. 3 is a rear view thereof;

FIG. 4 is a left side view thereof;

FIG. 5 is a right side view thereof;

FIG. 6 is top view thereof; and,

FIG. 7 is a bottom view thereof.

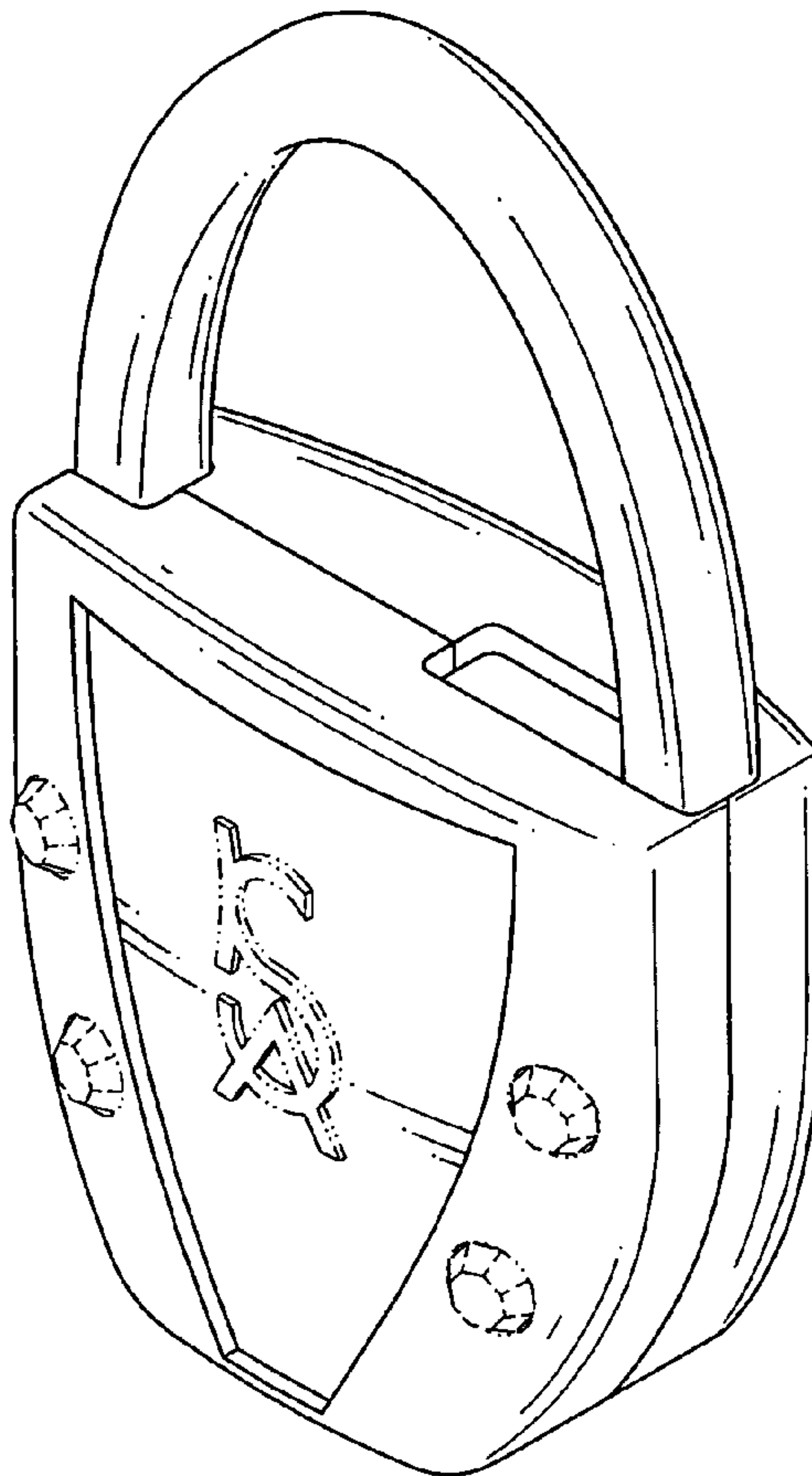
The broken lines are shown for illustrative purposes only and form no part of the claimed design.

(56) **References Cited**

U.S. PATENT DOCUMENTS

D82,115 S *	9/1930	Smith	D8/334
3,750,431 A *	8/1973	Atkinson	70/21
D403,231 S *	12/1998	Yu	D8/334
D476,216 S *	6/2003	Vito	D8/334
6,834,519 B1 *	12/2004	Yang	70/58
D548,043 S *	8/2007	Yang	D8/334
D548,566 S *	8/2007	Smaldone	D8/334

1 Claim, 7 Drawing Sheets



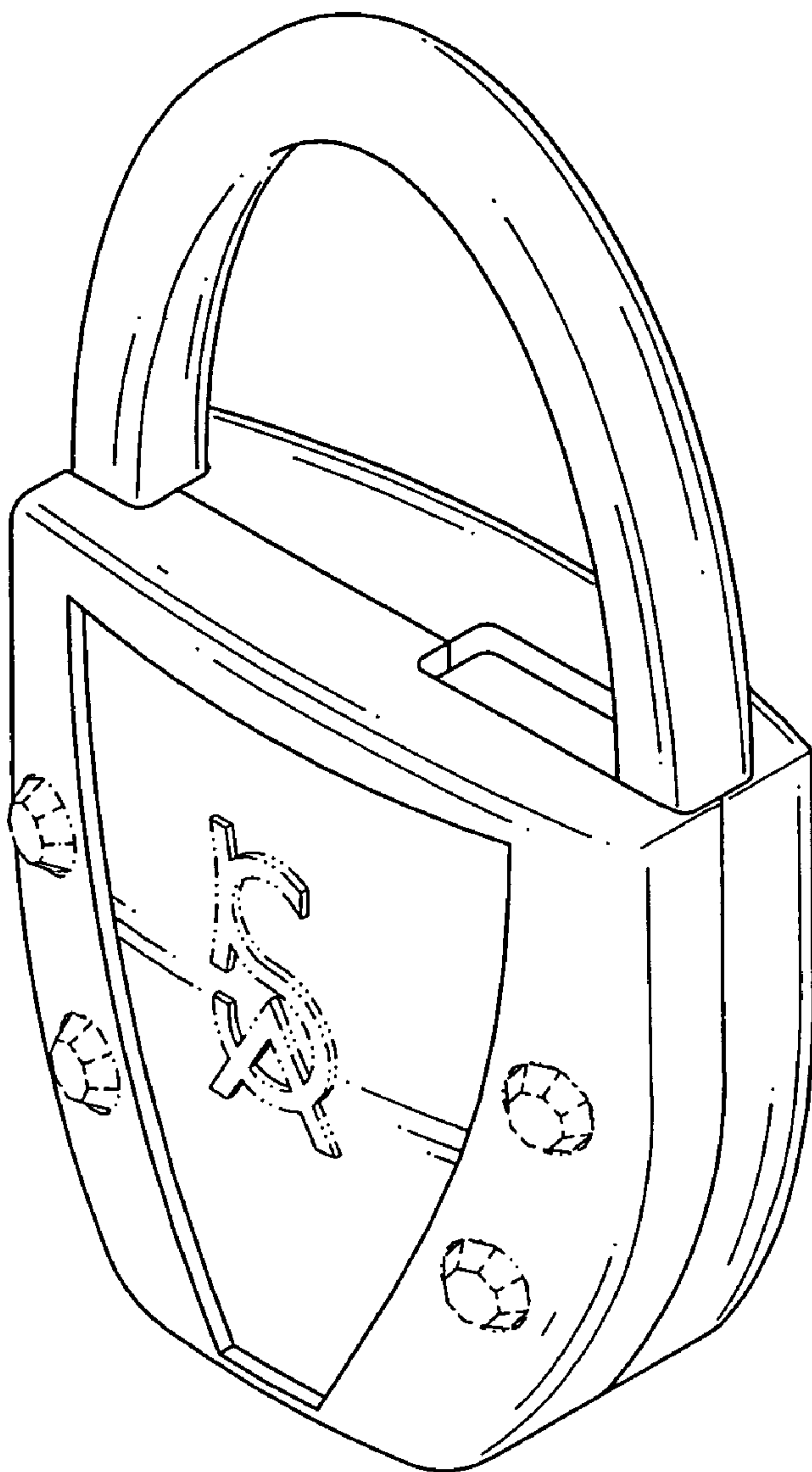


FIG. 1

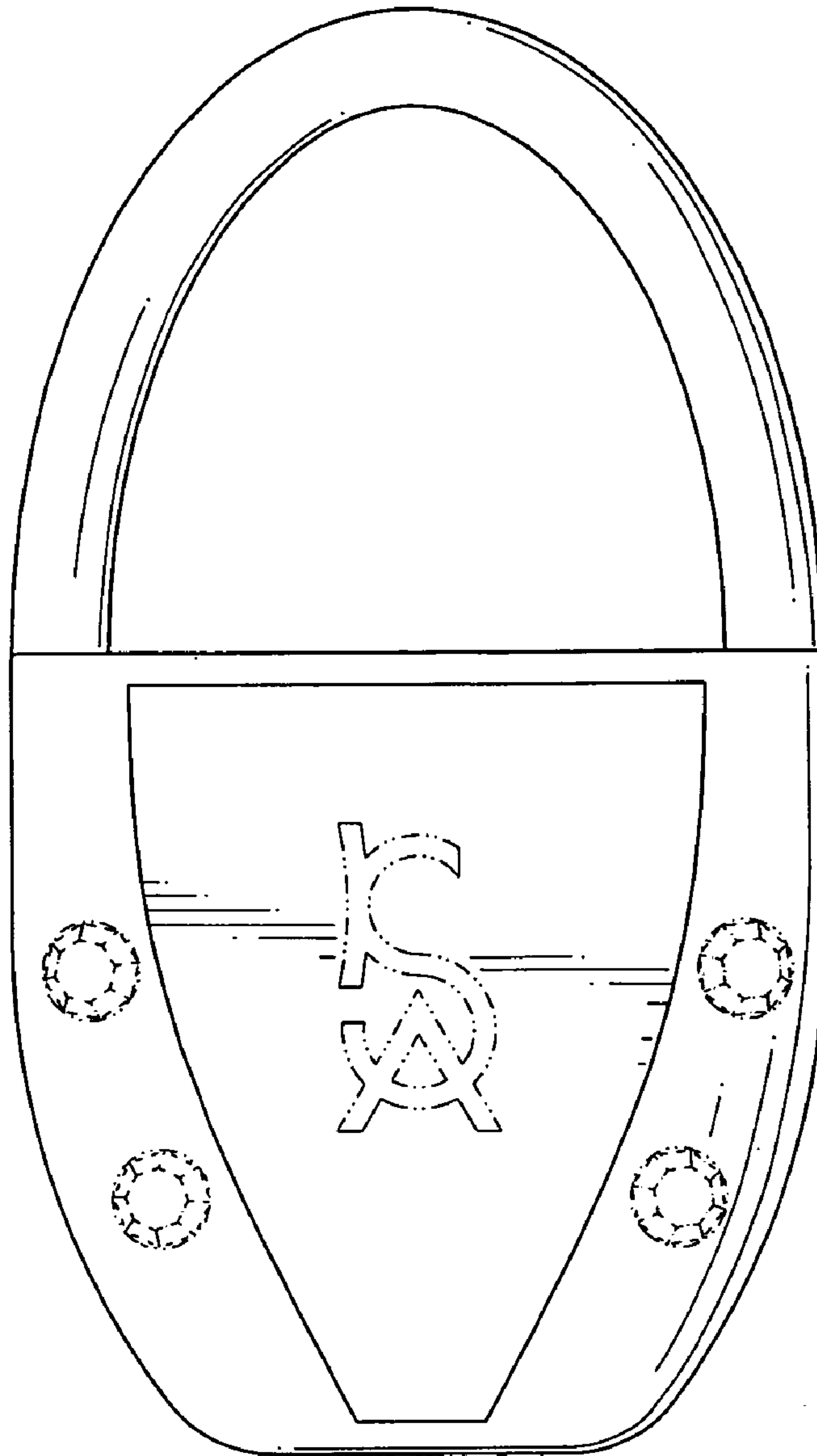


FIG.2

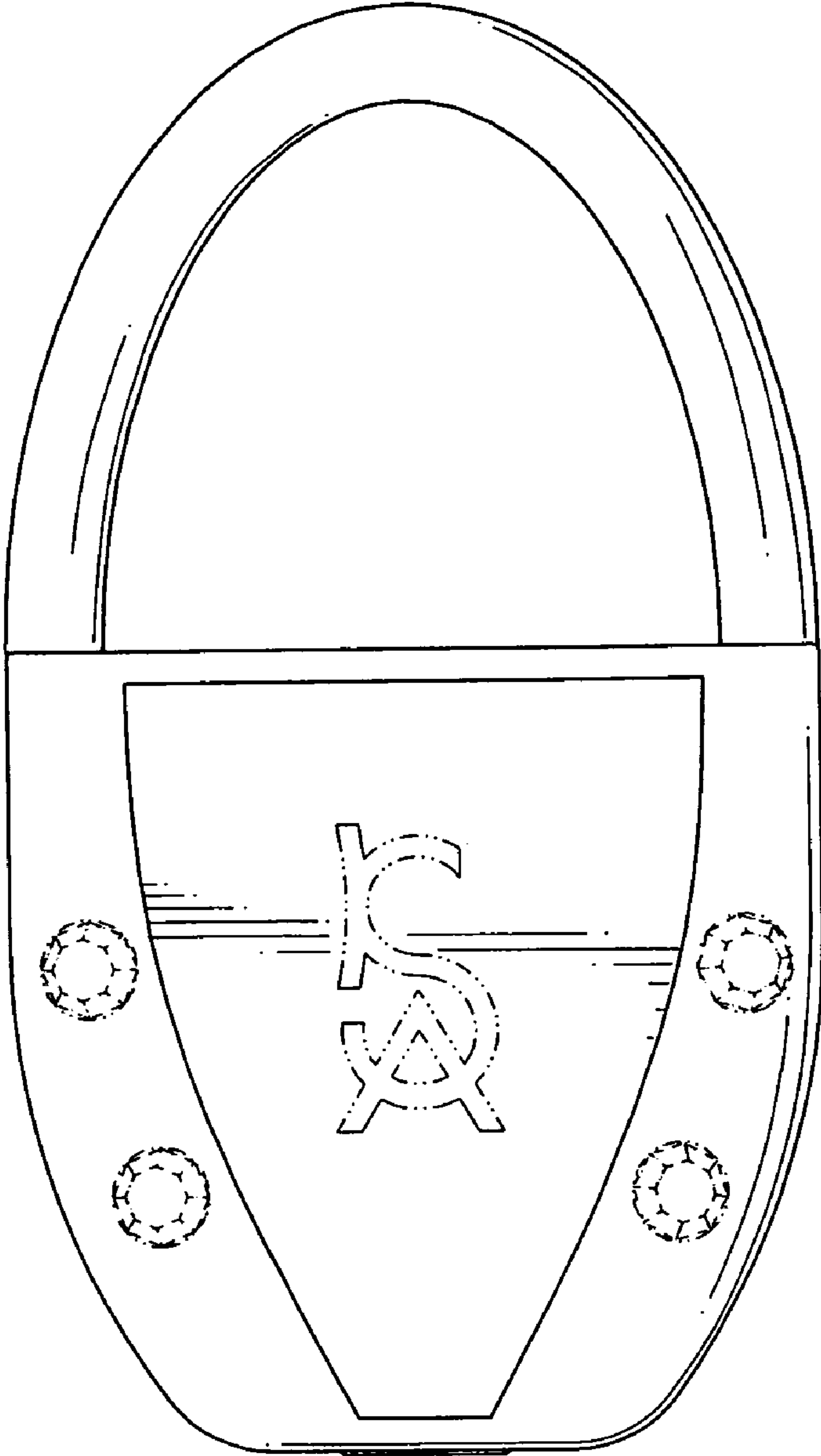


FIG.3

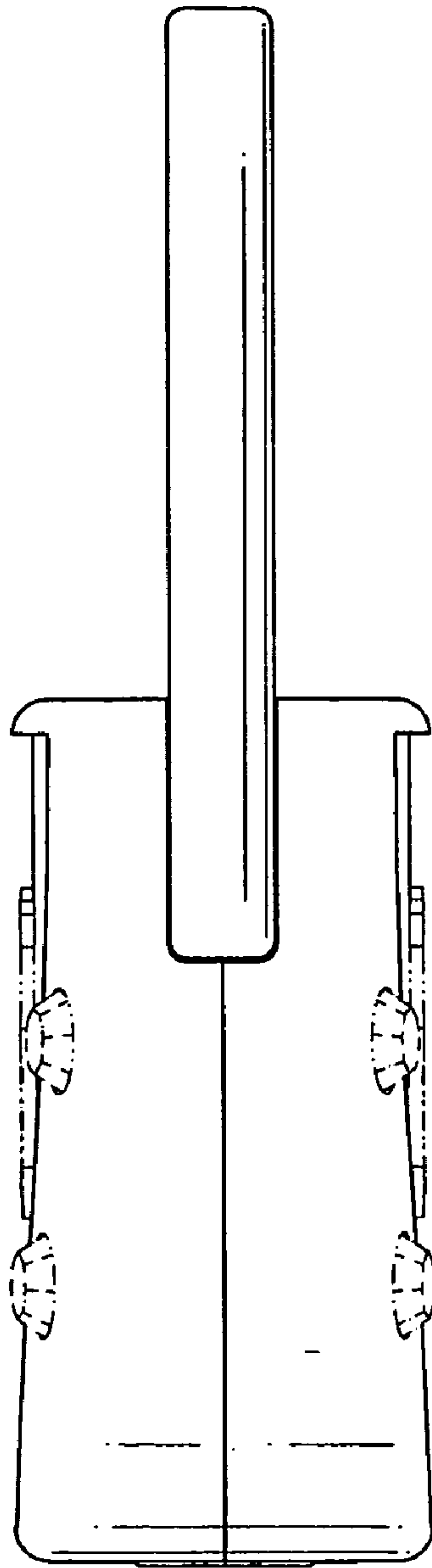


FIG.4

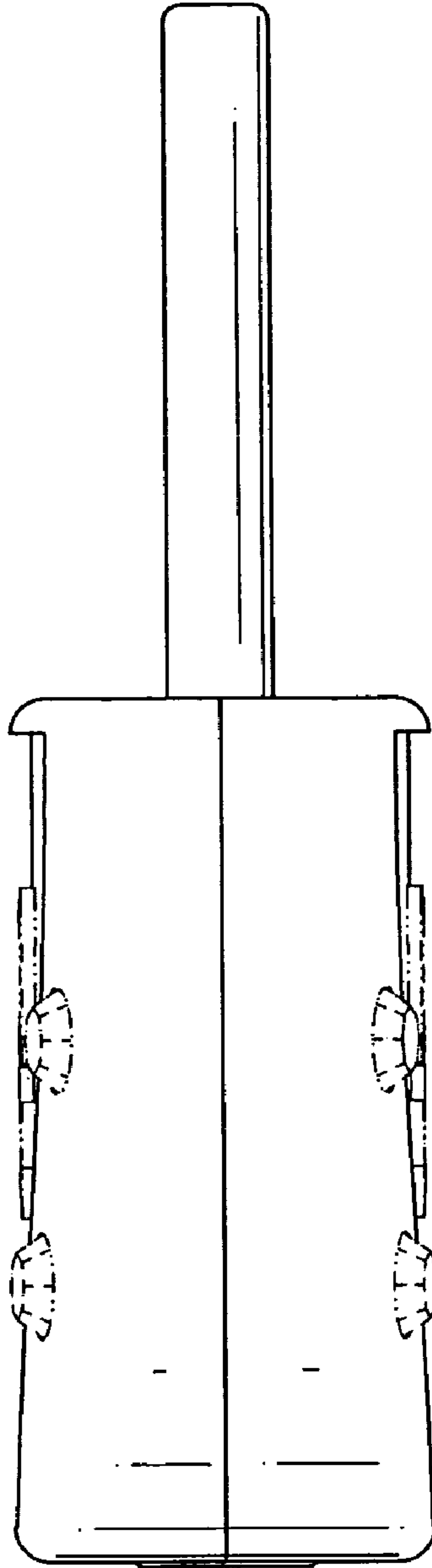


FIG.5

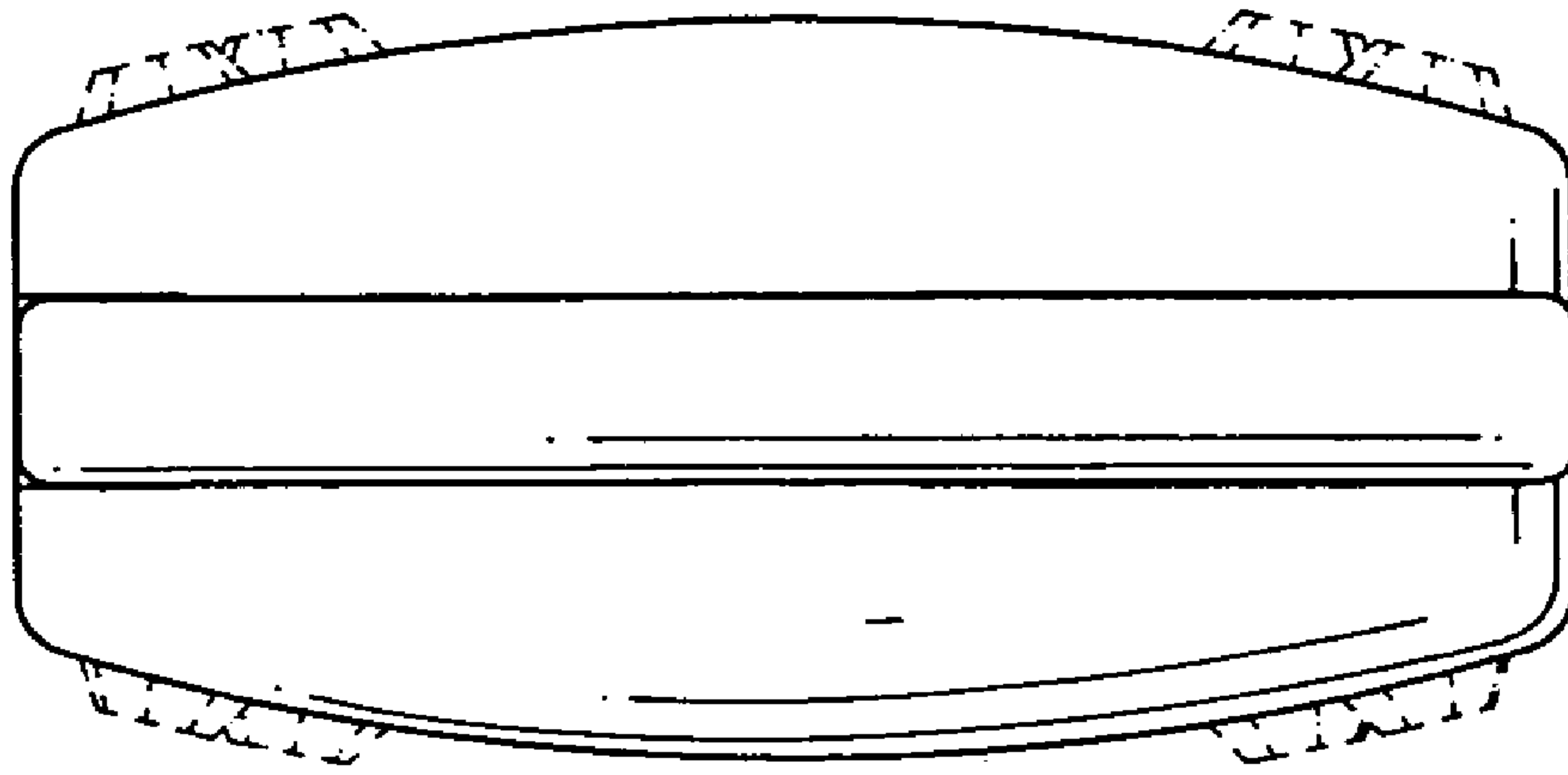


FIG.6

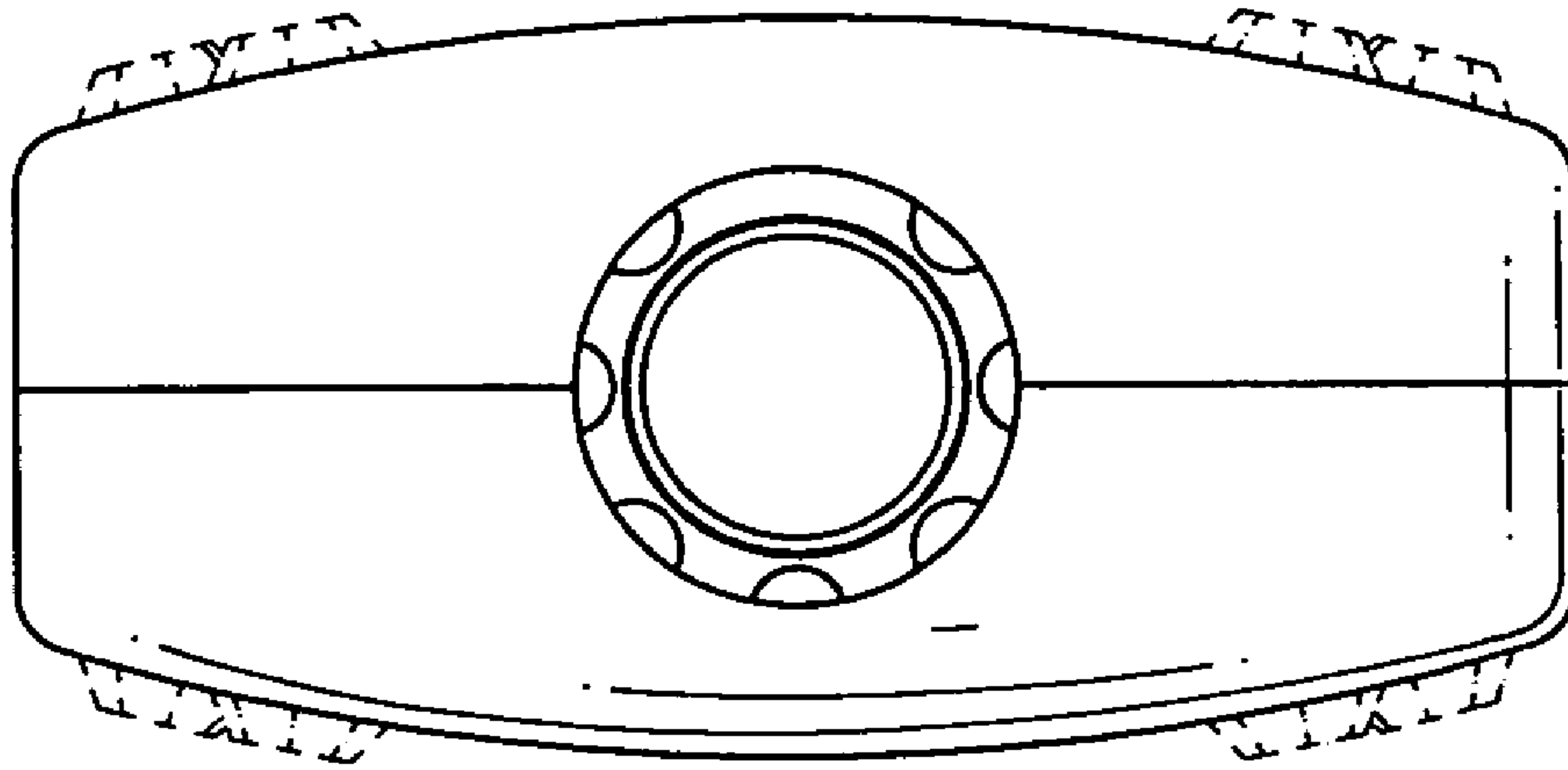


FIG.7