



US00D590694S

(12) **United States Design Patent**  
**Stuckey**

(10) **Patent No.:** **US D590,694 S**

(45) **Date of Patent:** **\*\* Apr. 21, 2009**

(54) **CLOSURE MEANS**

(75) Inventor: **David Martin Stuckey**, Eltham (AU)

(73) Assignee: **Burgundy Trial Pty Ltd** (AU)

(\*\*) Term: **14 Years**

(21) Appl. No.: **29/303,915**

(22) Filed: **Feb. 20, 2008**

(30) **Foreign Application Priority Data**

Aug. 14, 2007 (AU) ..... 19329/2007

(51) **LOC (9) Cl.** ..... **08-07**

(52) **U.S. Cl.** ..... **D8/331**

(58) **Field of Classification Search** ..... D8/330,  
D8/331, 335, 339, 302, 343; 70/141, 208;  
292/336.3, 169, 358, 359, 170, 175, 165,  
292/224, 140-145, 240-242, DIG. 14, DIG. 30,  
292/DIG. 31, DIG. 4

See application file for complete search history.

(56) **References Cited**

**U.S. PATENT DOCUMENTS**

4,706,478 A \* 11/1987 Swan et al. .... 70/28  
5,127,686 A \* 7/1992 Gleason et al. .... 292/216  
5,913,908 A \* 6/1999 Czipri ..... 70/208  
5,934,716 A \* 8/1999 Koveal et al. .... 292/175  
5,984,383 A \* 11/1999 Parikh et al. .... 292/121  
D427,882 S \* 7/2000 Wytcherley et al. .... D8/331

D429,142 S \* 8/2000 Monge et al. .... D8/350

D457,803 S \* 5/2002 Weinerman et al. .... D8/338

D459,192 S \* 6/2002 Weinerman et al. .... D8/338

D533,048 S \* 12/2006 Weinerman et al. .... D8/331

D536,949 S \* 2/2007 Weinerman et al. .... D8/331

D545,667 S \* 7/2007 Weinerman et al. .... D8/331

\* cited by examiner

*Primary Examiner*—Prabhakar Deshmukh

(74) *Attorney, Agent, or Firm*—Craig A. Fieschko, Esq.;  
DeWitt Ross & Stevens S.C.

(57) **CLAIM**

The ornamental design for a closure means, as shown and described.

**DESCRIPTION**

FIG. 1 is a perspective view of a closure means showing my new design, with the handle in folded position;

FIG. 2 is a perspective view thereof, with the handle in exposed position;

FIG. 3 is a bottom perspective view thereof;

FIG. 4 is a top plan view thereof;

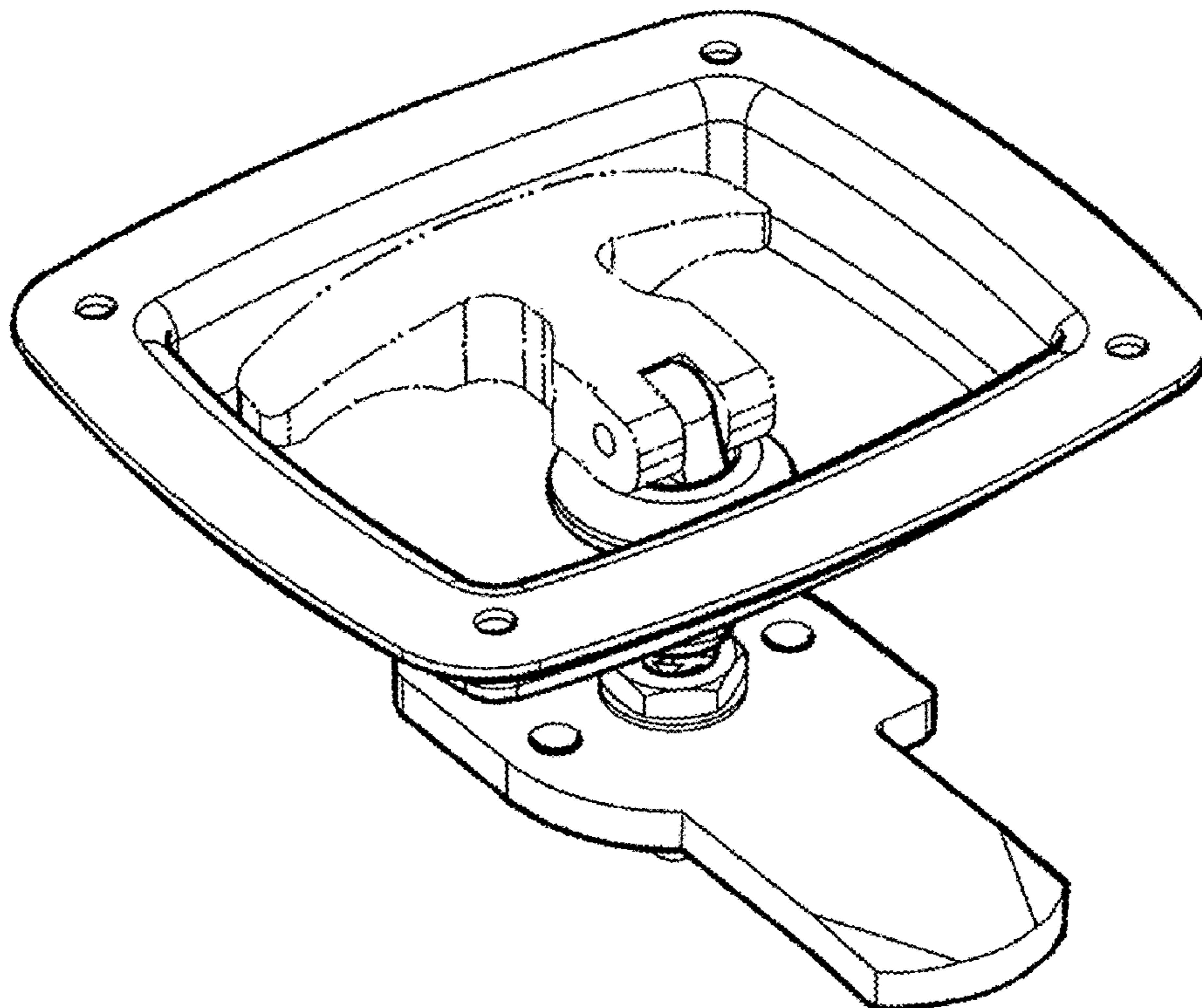
FIG. 5 is a side elevational view thereof;

FIG. 6 is an end elevational view thereof; and,

FIG. 7 is a bottom plan view thereof.

The broken lines are for illustrative purpose only and form no part of the claimed design.

**1 Claim, 3 Drawing Sheets**



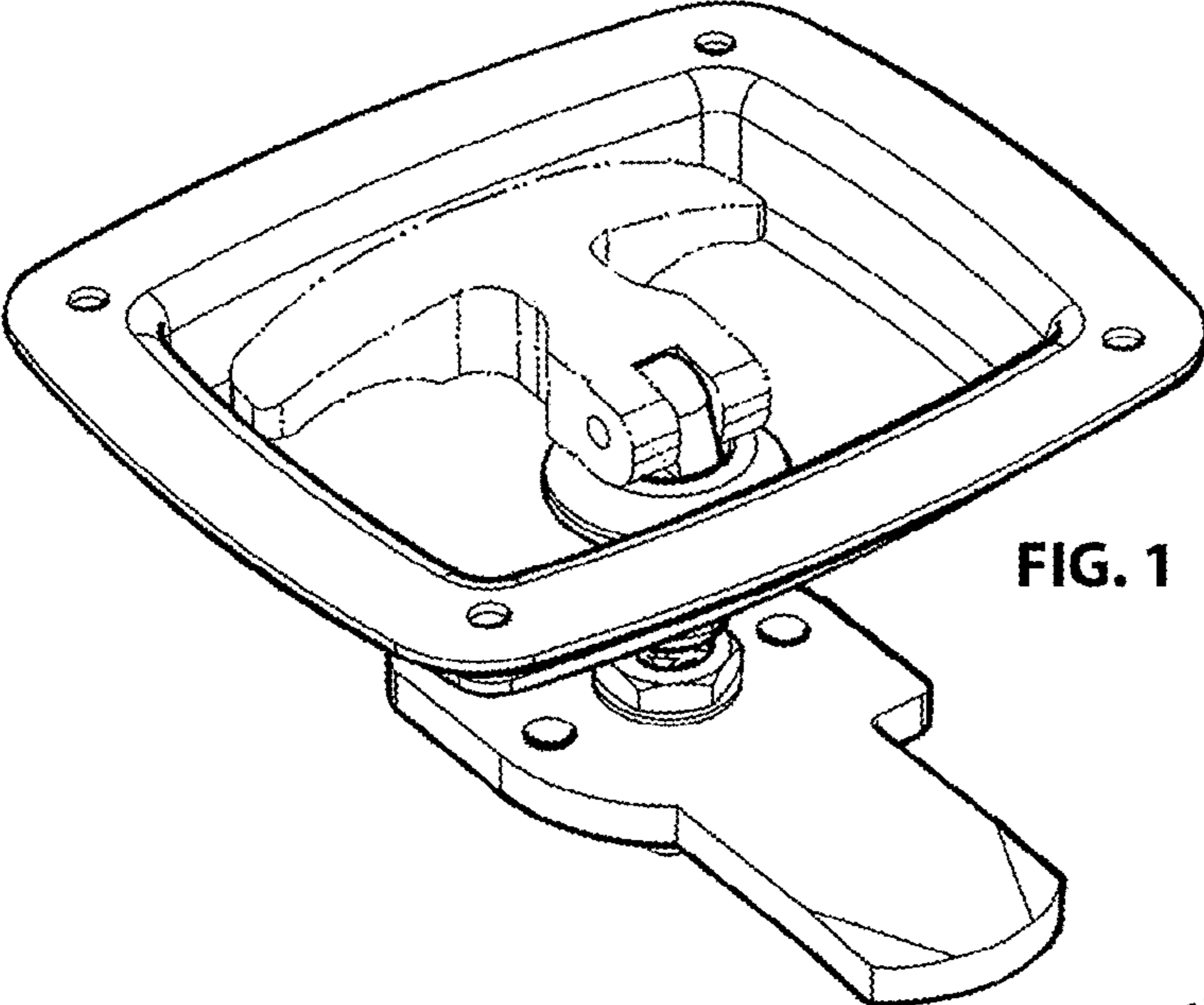


FIG. 1

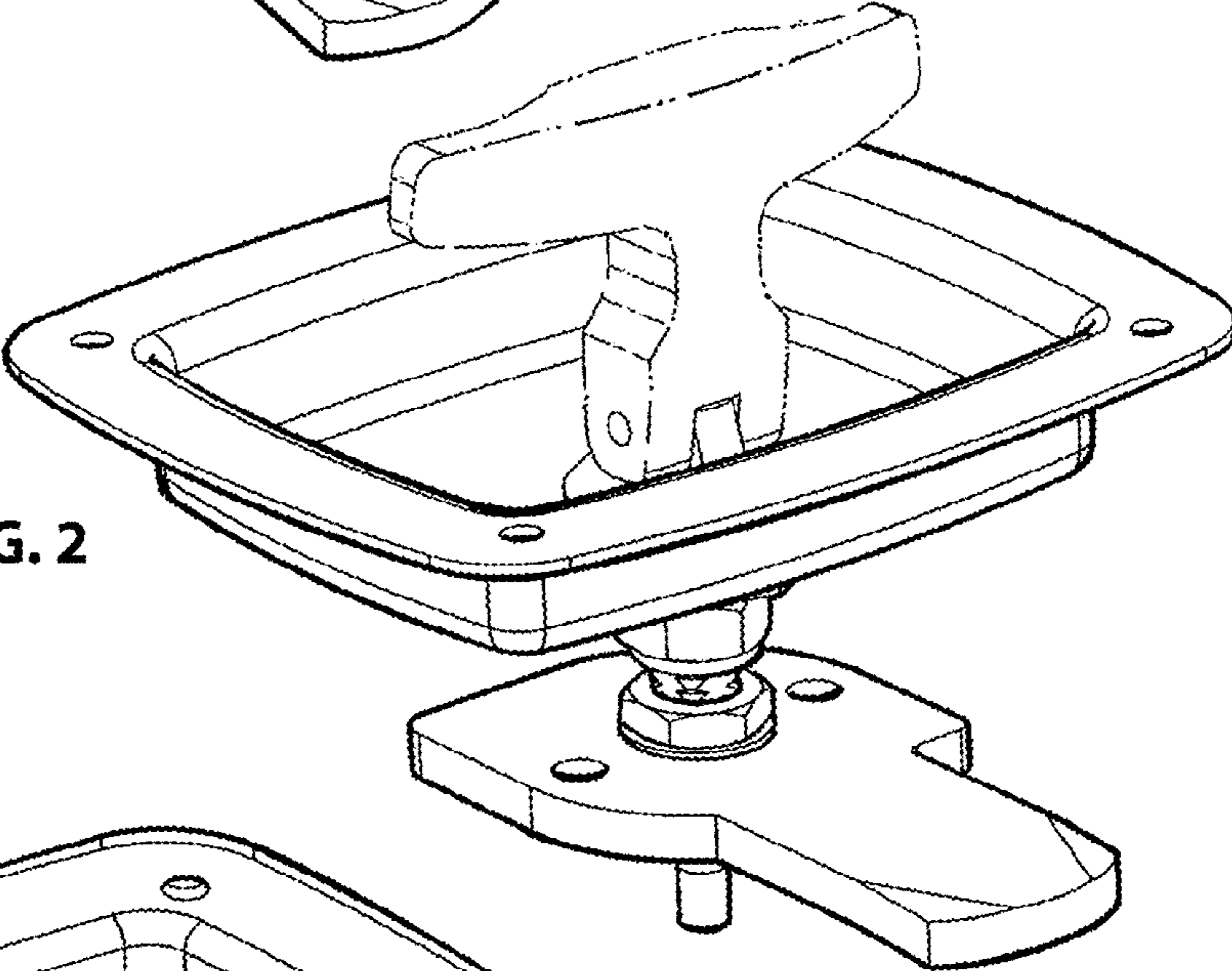


FIG. 2

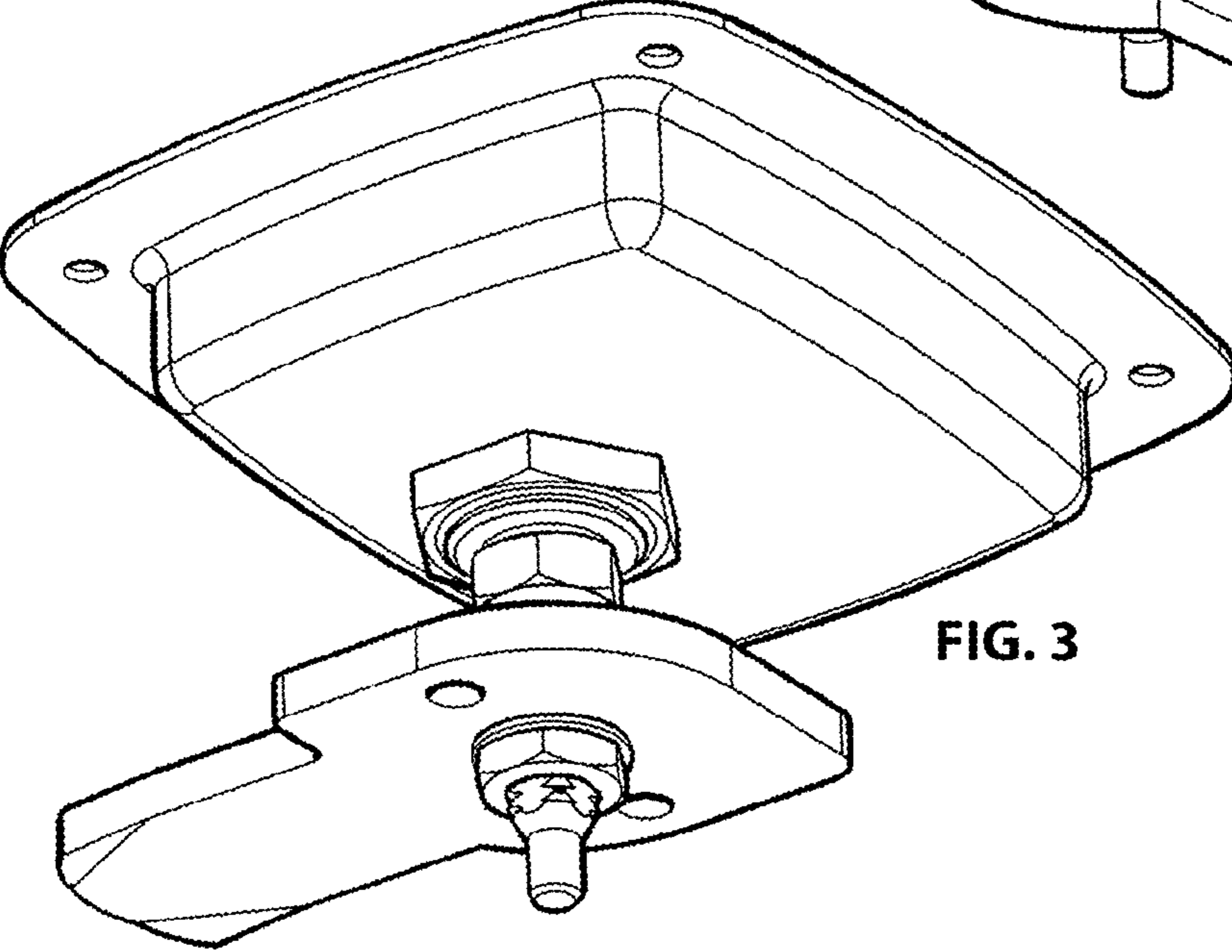


FIG. 3

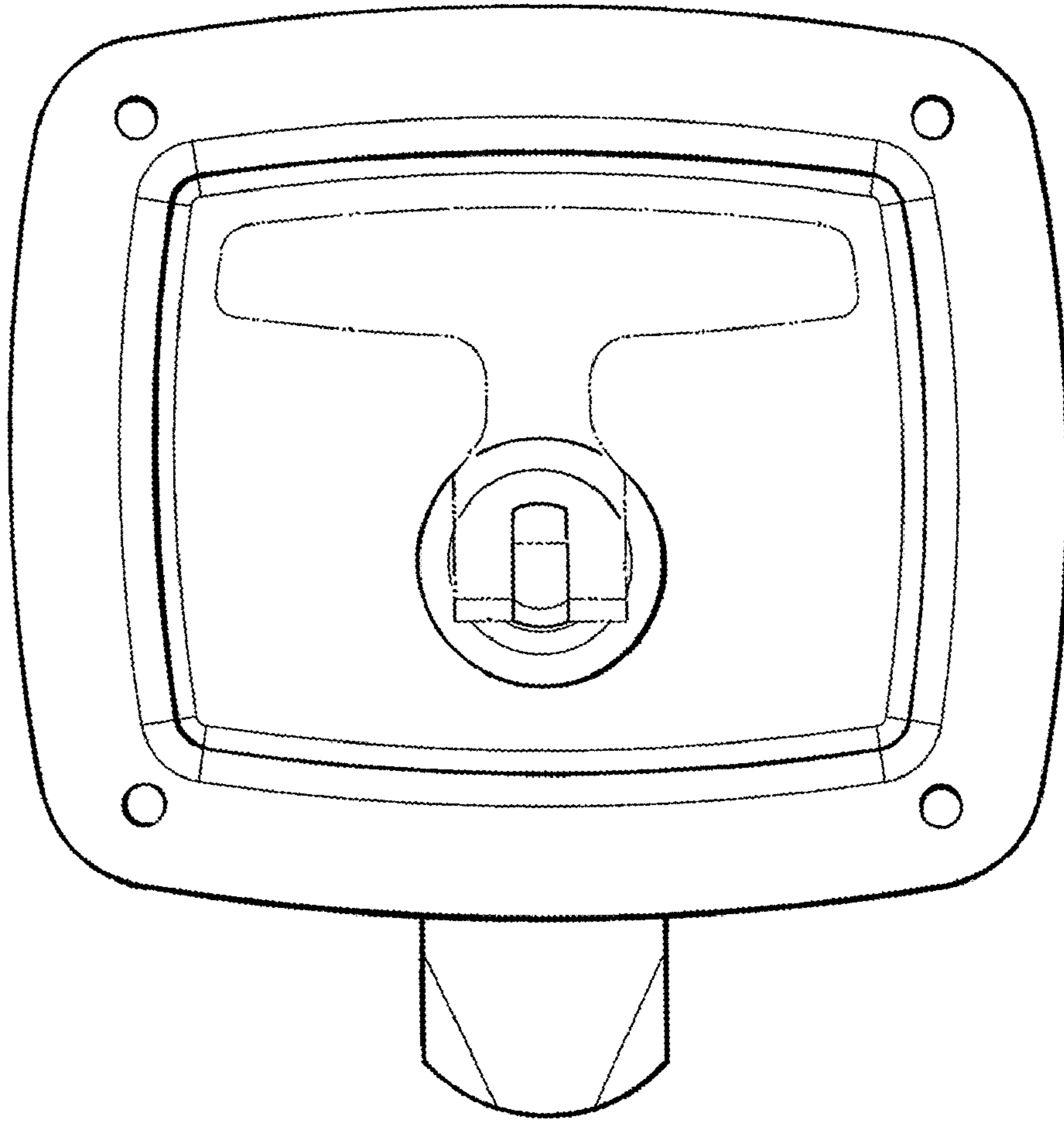


FIG. 4

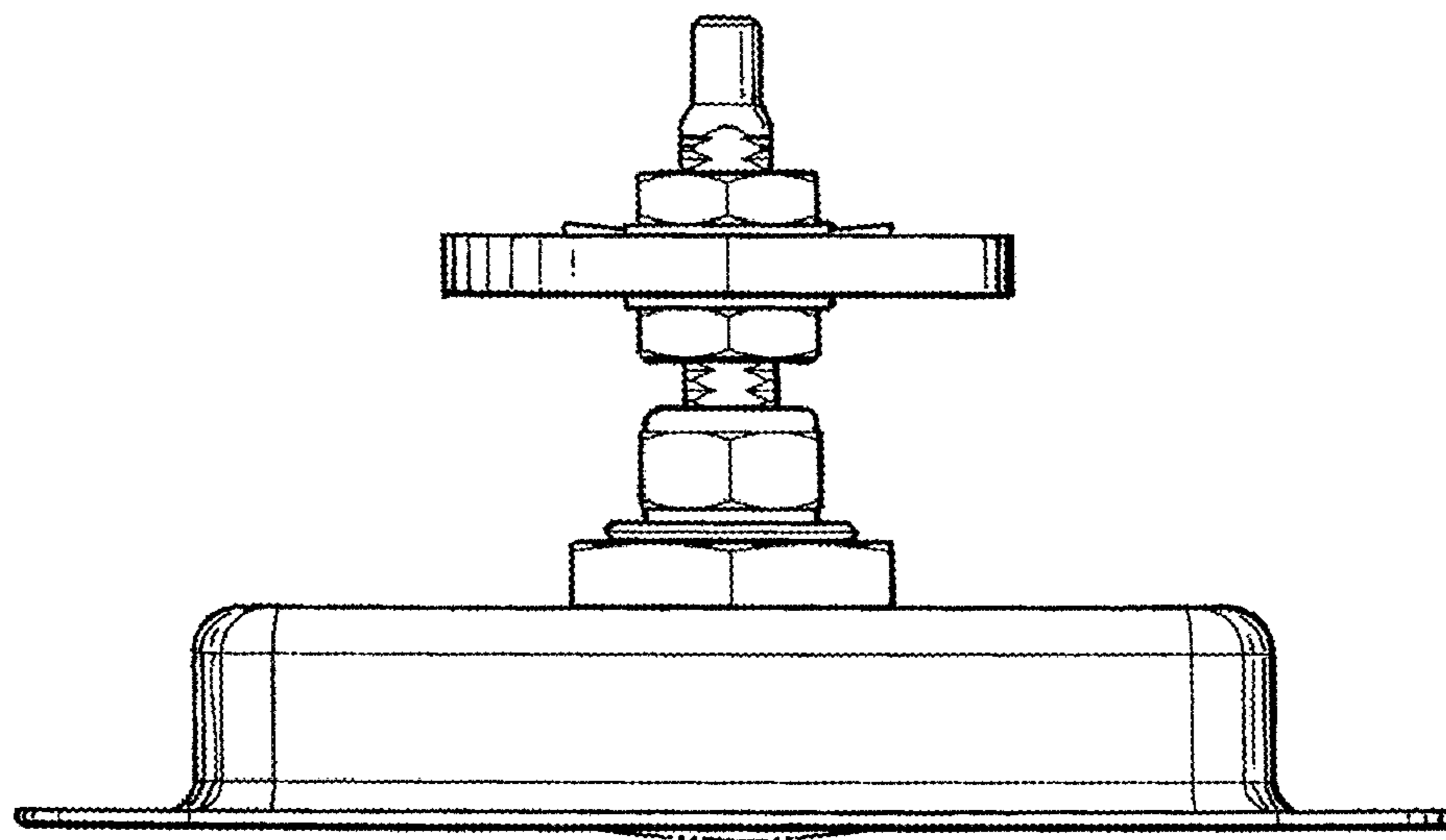


FIG. 5

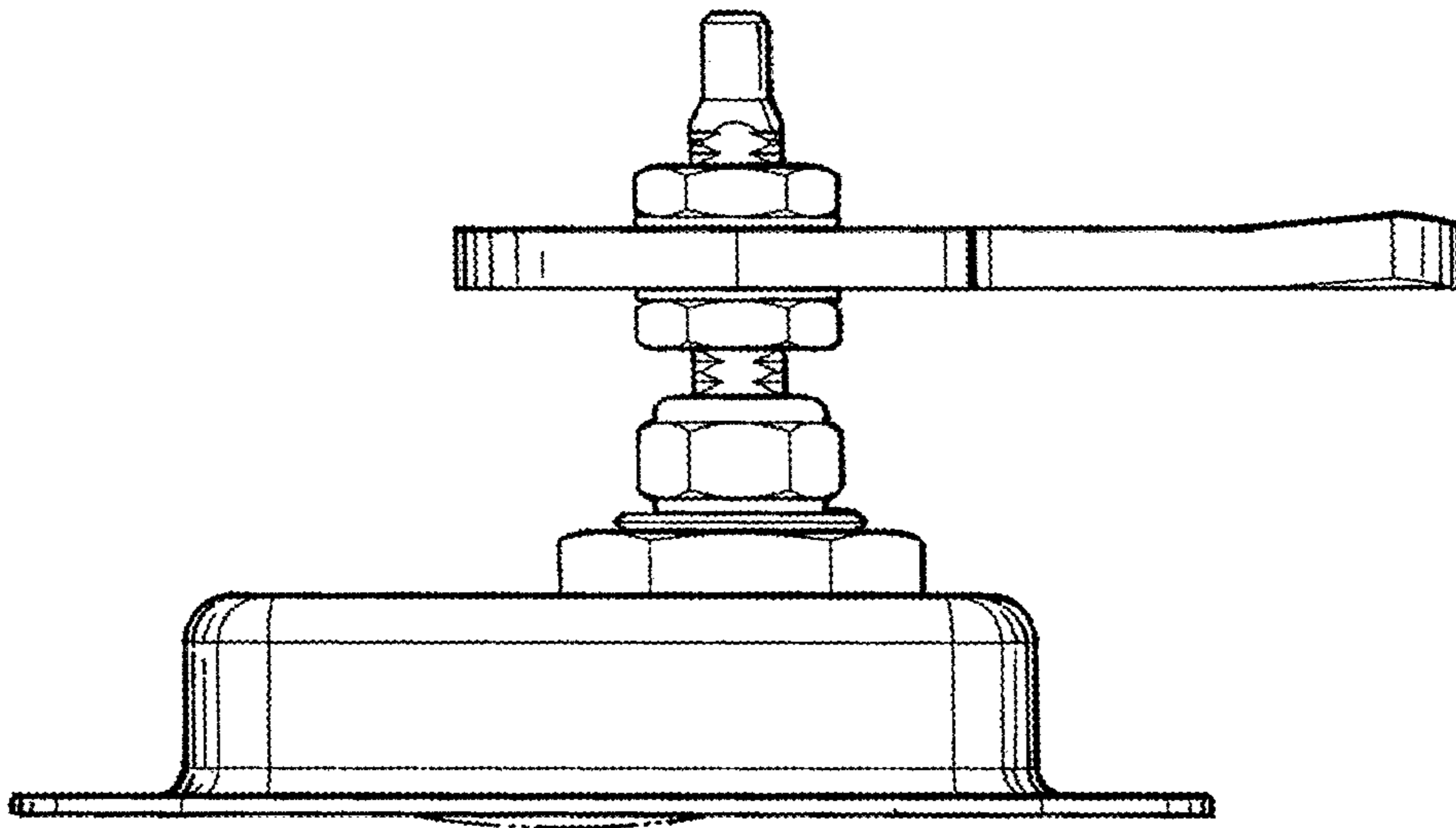


FIG. 6

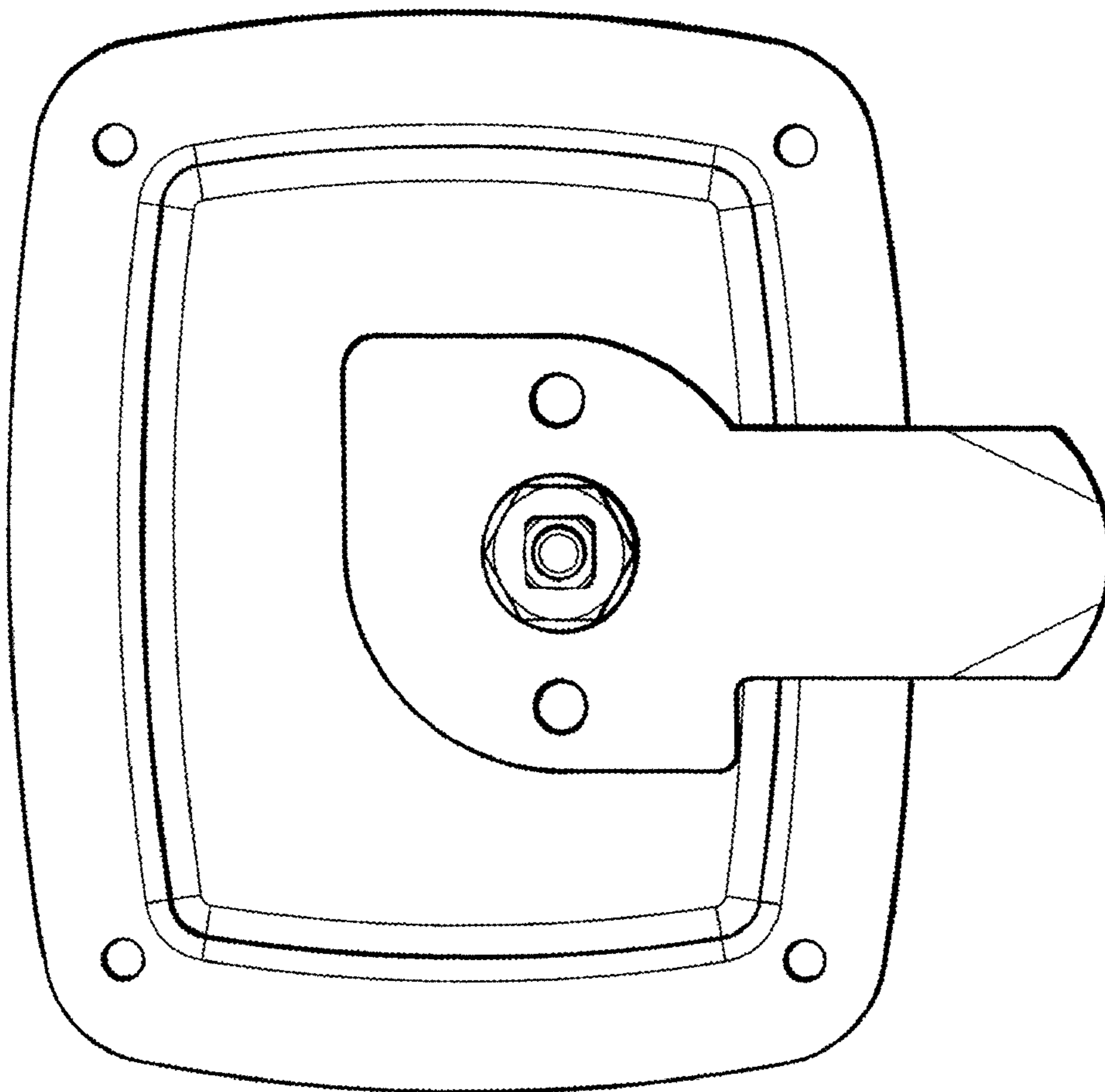


FIG. 7