

US00D590690S

(12) **United States Design Patent**
Bertini

(10) **Patent No.:** **US D590,690 S**

(45) **Date of Patent:** **** Apr. 21, 2009**

(54) **HANDLEBAR HAND GRIP**

D461,390 S * 8/2002 Livingston D8/303
D520,849 S * 5/2006 Mentasti D8/303
D551,054 S * 9/2007 Eijvinsoon et al. D8/303

(75) Inventor: **Paolo Bertini**, Sirtori (IT)

* cited by examiner

(73) Assignee: **DOMINO S.p.A.**, Sirtori-Frazione
Bevera (IT)

Primary Examiner—Cathron C Brooks

Assistant Examiner—Linda Brooks

(**) Term: **14 Years**

(74) *Attorney, Agent, or Firm*—Oblon, Spivak, McClelland,
Maier & Neustadt, P.C.

(21) Appl. No.: **29/297,988**

(22) Filed: **Nov. 26, 2007**

(57) **CLAIM**

(30) **Foreign Application Priority Data**

The ornamental design for a handlebar hand grip, as shown
and described.

May 24, 2007 (EM) 000728522

DESCRIPTION

(51) **LOC (9) Cl.** **12-11**

FIG. 1 is a top and left front perspective view of a handlebar
hand grip or the like showing my new design;

(52) **U.S. Cl.** **D8/303**

FIG. 2 is a front elevational view thereof;

(58) **Field of Classification Search** D8/303,
D8/107, DIG. 8; D12/110–112, 177–179,
D12/114; 74/488, 489, 502.2, 551.1–551.9;
16/110.1, 421, 430, DIG. 12; 180/219
See application file for complete search history.

FIG. 3 is a right side elevational view thereof;

FIG. 4 is a left side elevational view thereof;

FIG. 5 is a top plan view thereof;

FIG. 6 is a bottom plan view thereof; and,

FIG. 7 is a rear elevational view thereof.

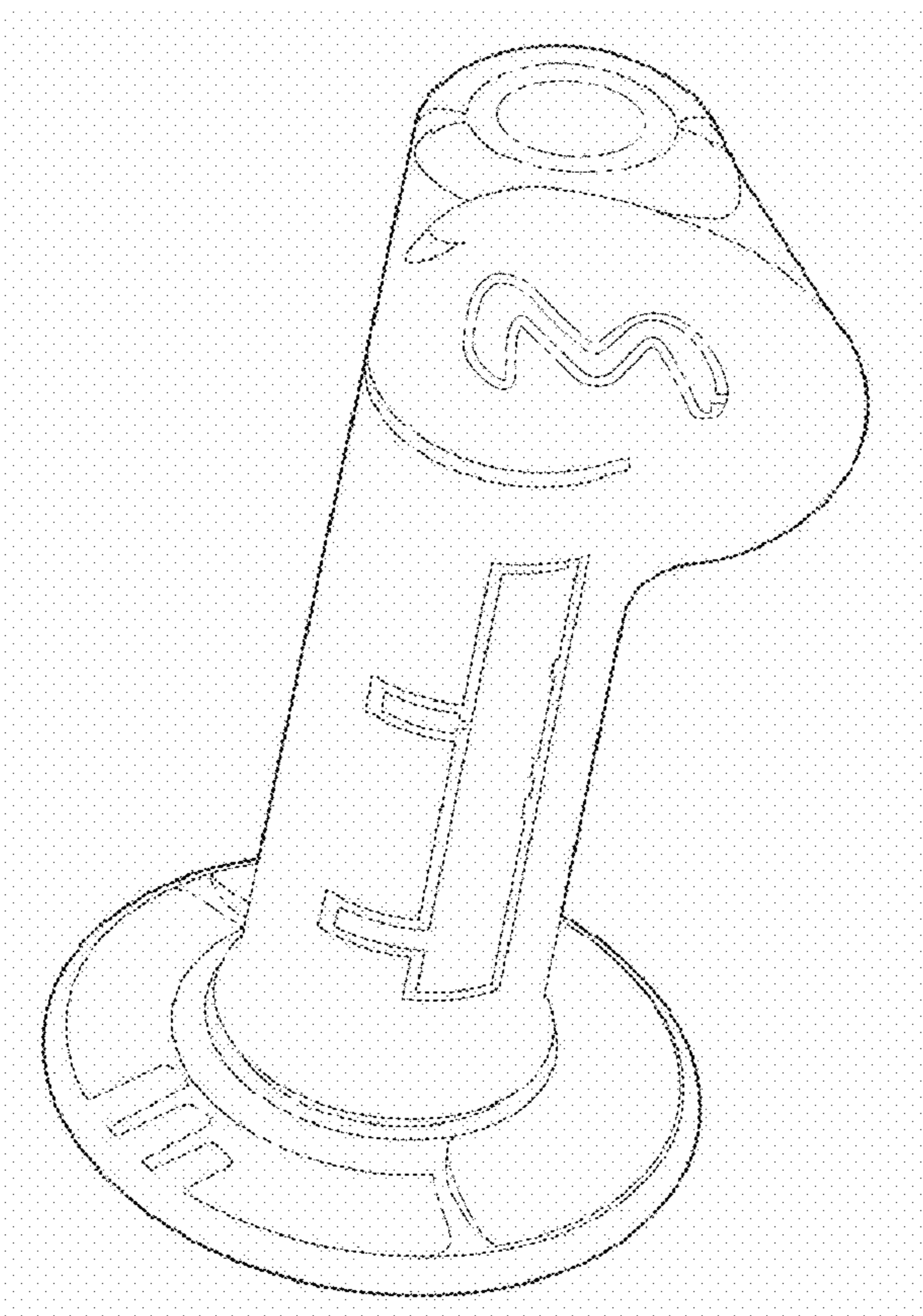
(56) **References Cited**

The phantom line showing in the figures is for illustrative
purposes only and forms no part of the claimed design.

U.S. PATENT DOCUMENTS

D242,984 S * 1/1977 Petty D8/303
4,308,762 A * 1/1982 Jannard 74/551.9
D273,935 S * 5/1984 Bolster et al. D8/303
D305,401 S * 1/1990 Winston D8/303

1 Claim, 7 Drawing Sheets



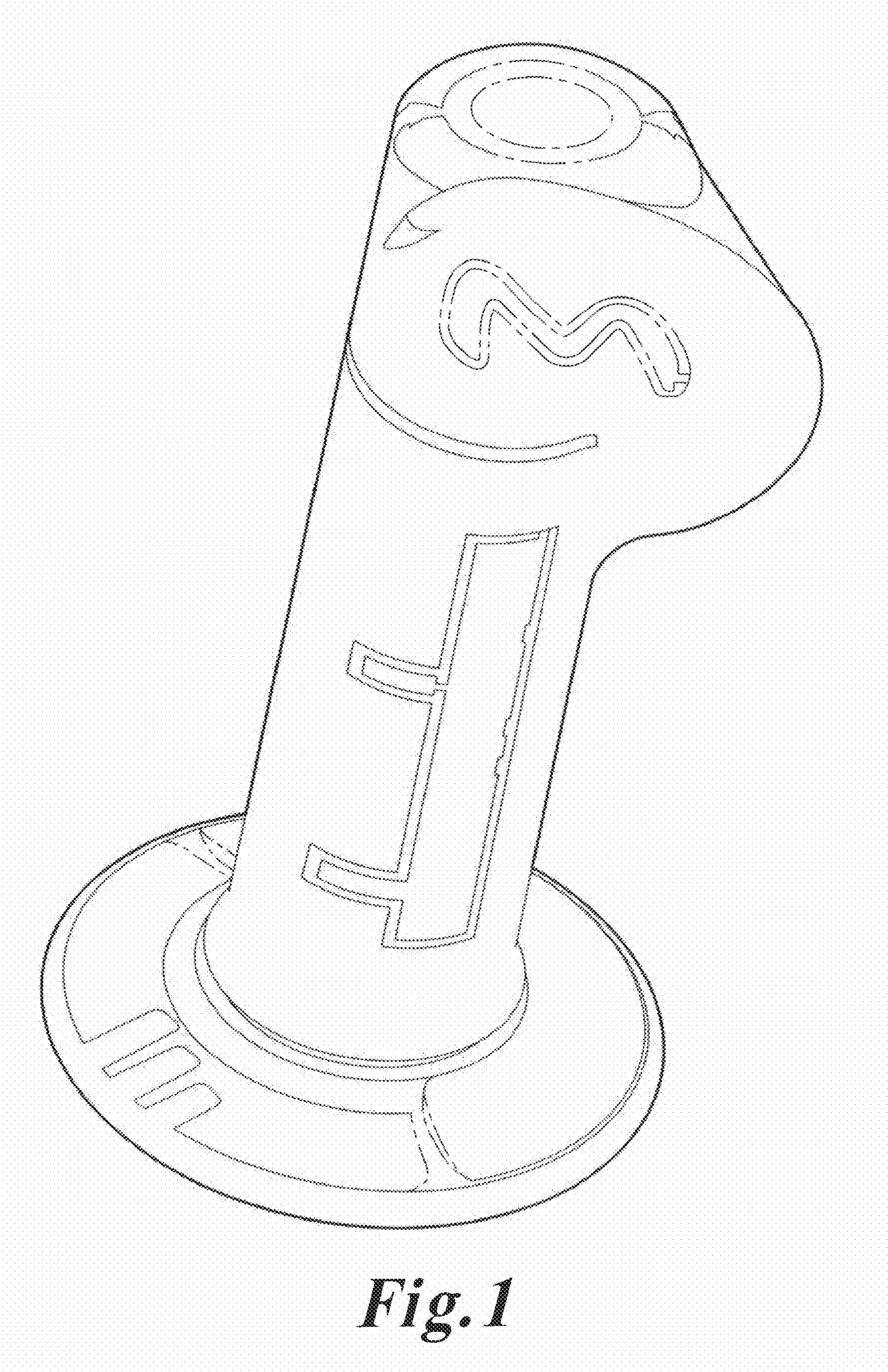


Fig. 1

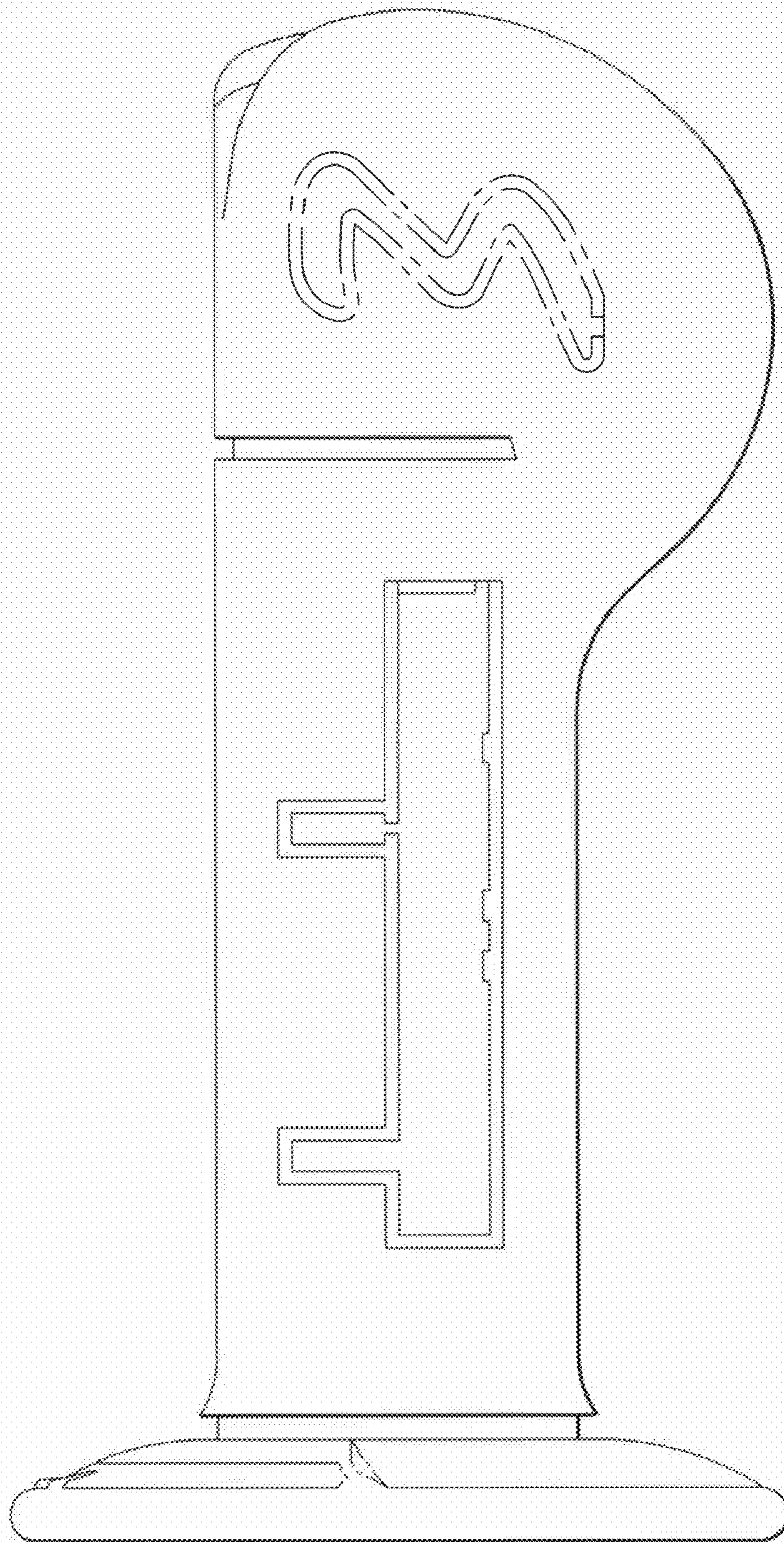


Fig. 2

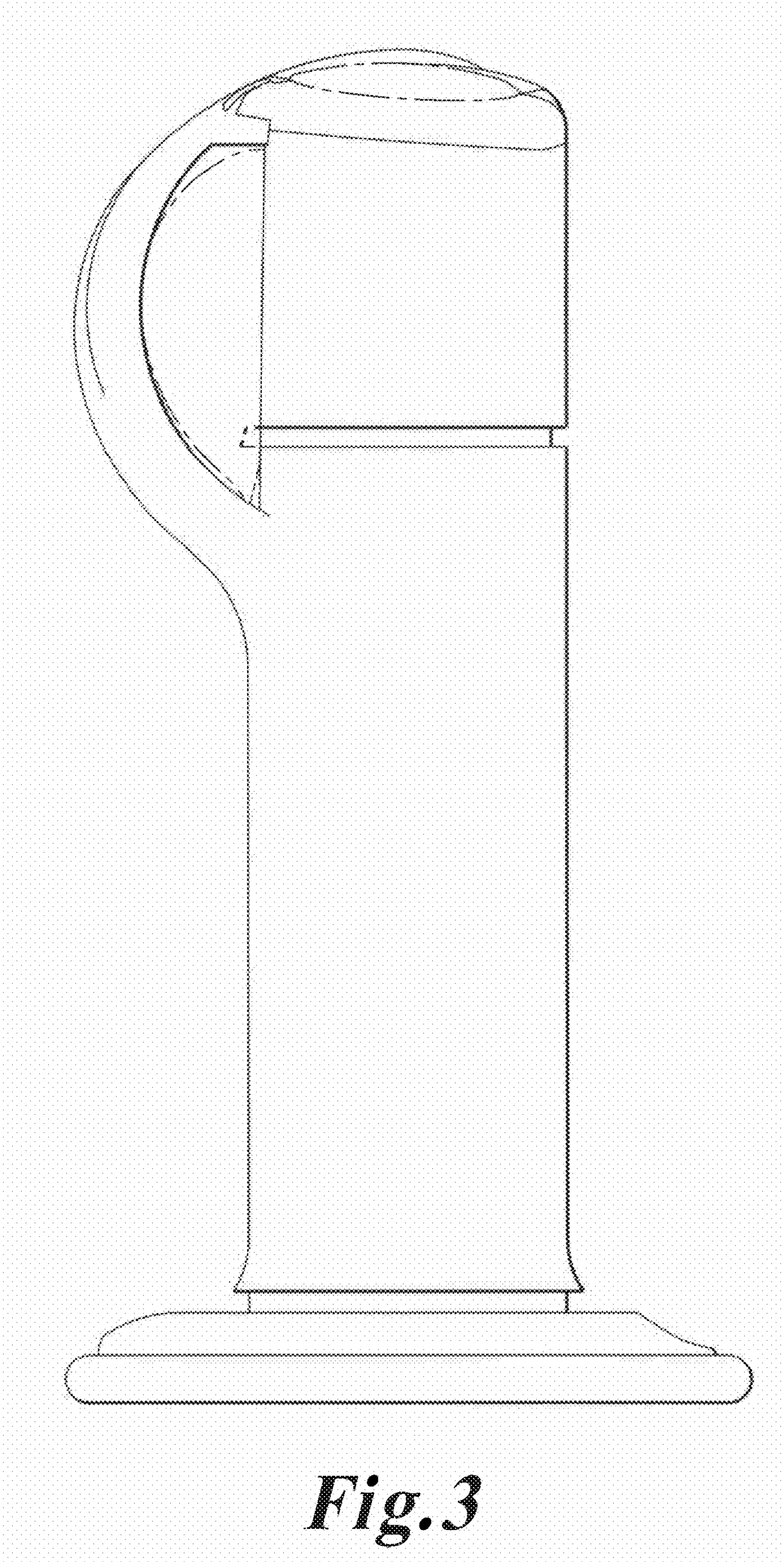


Fig. 3

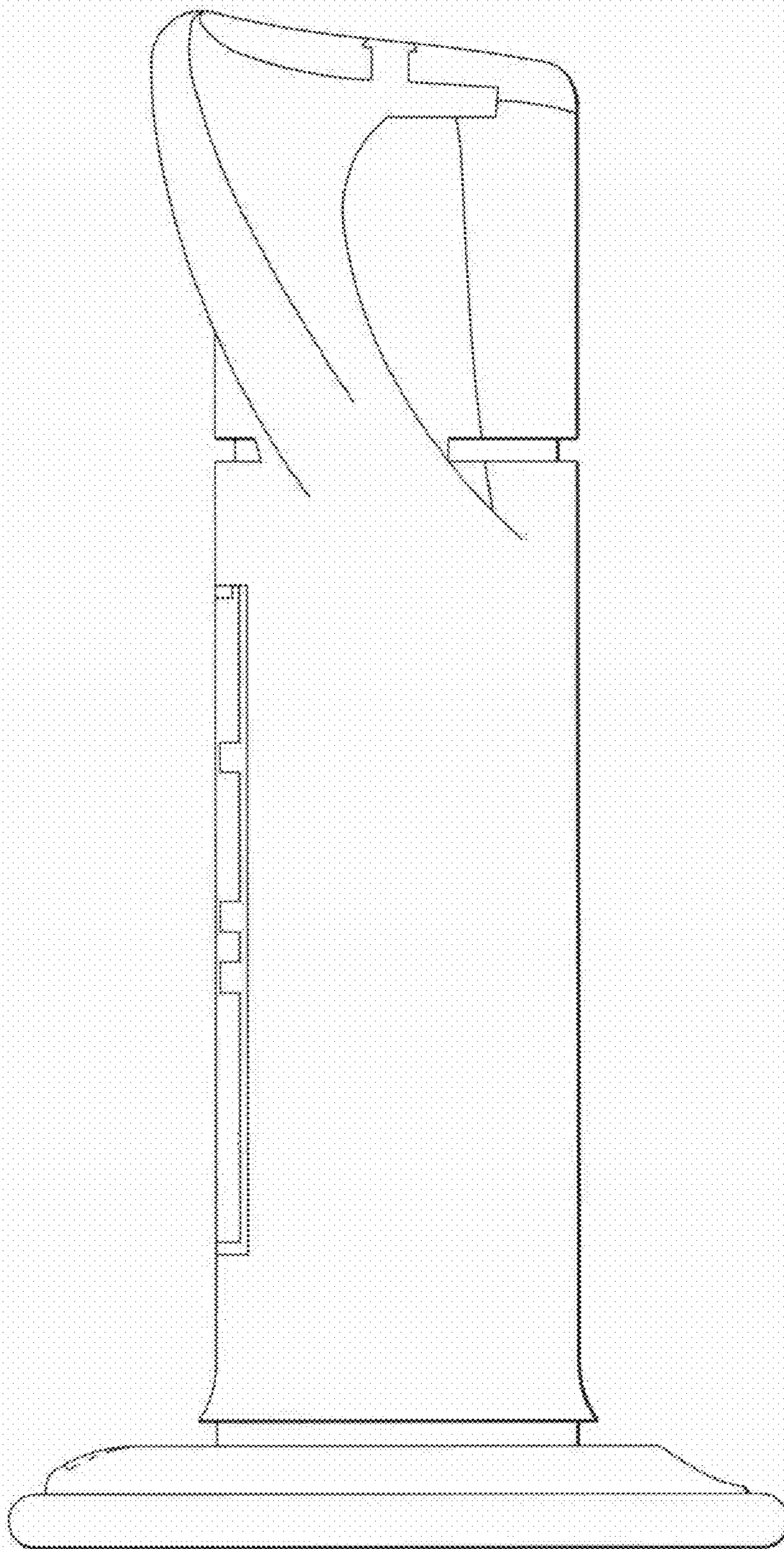


Fig. 4

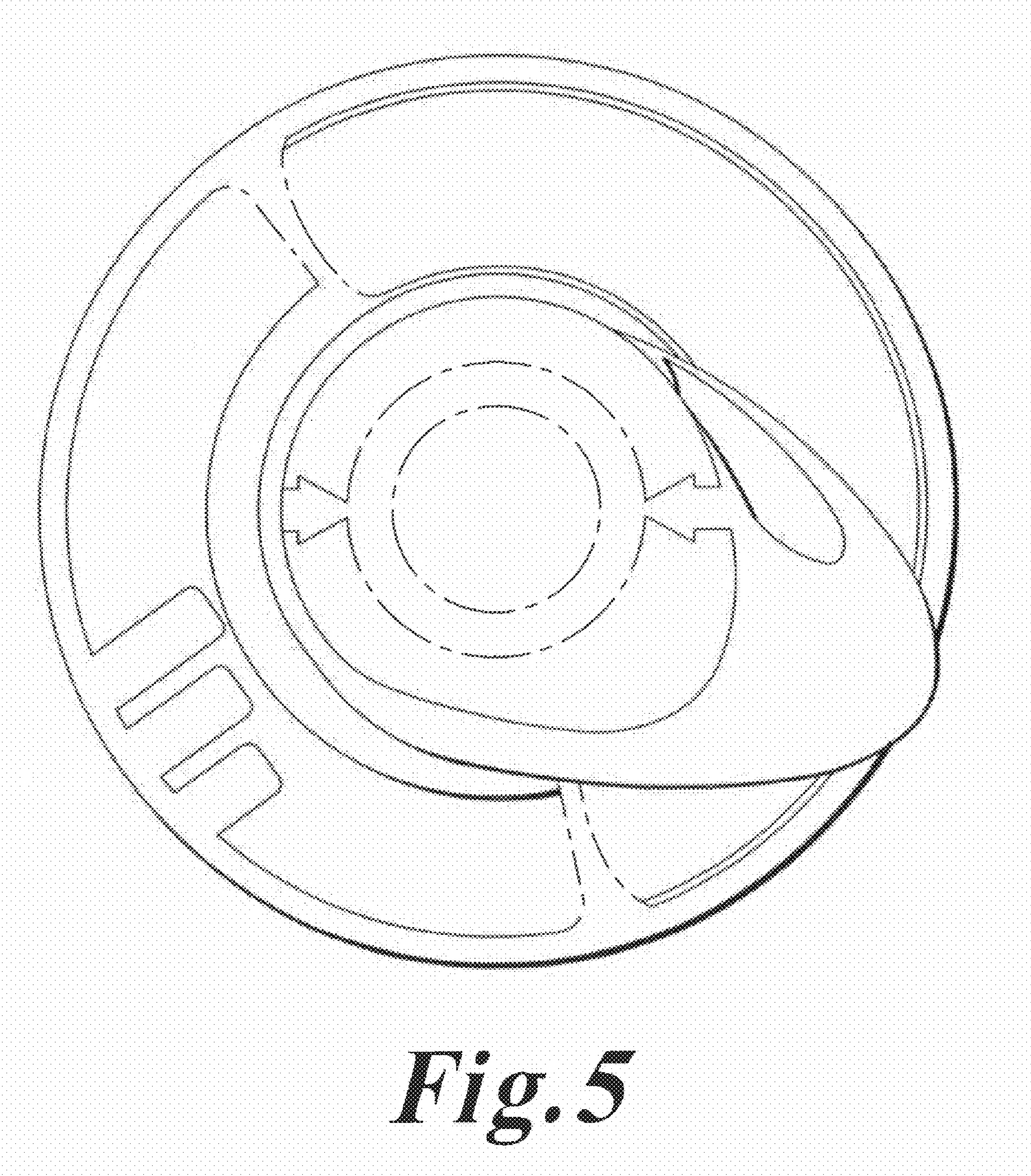
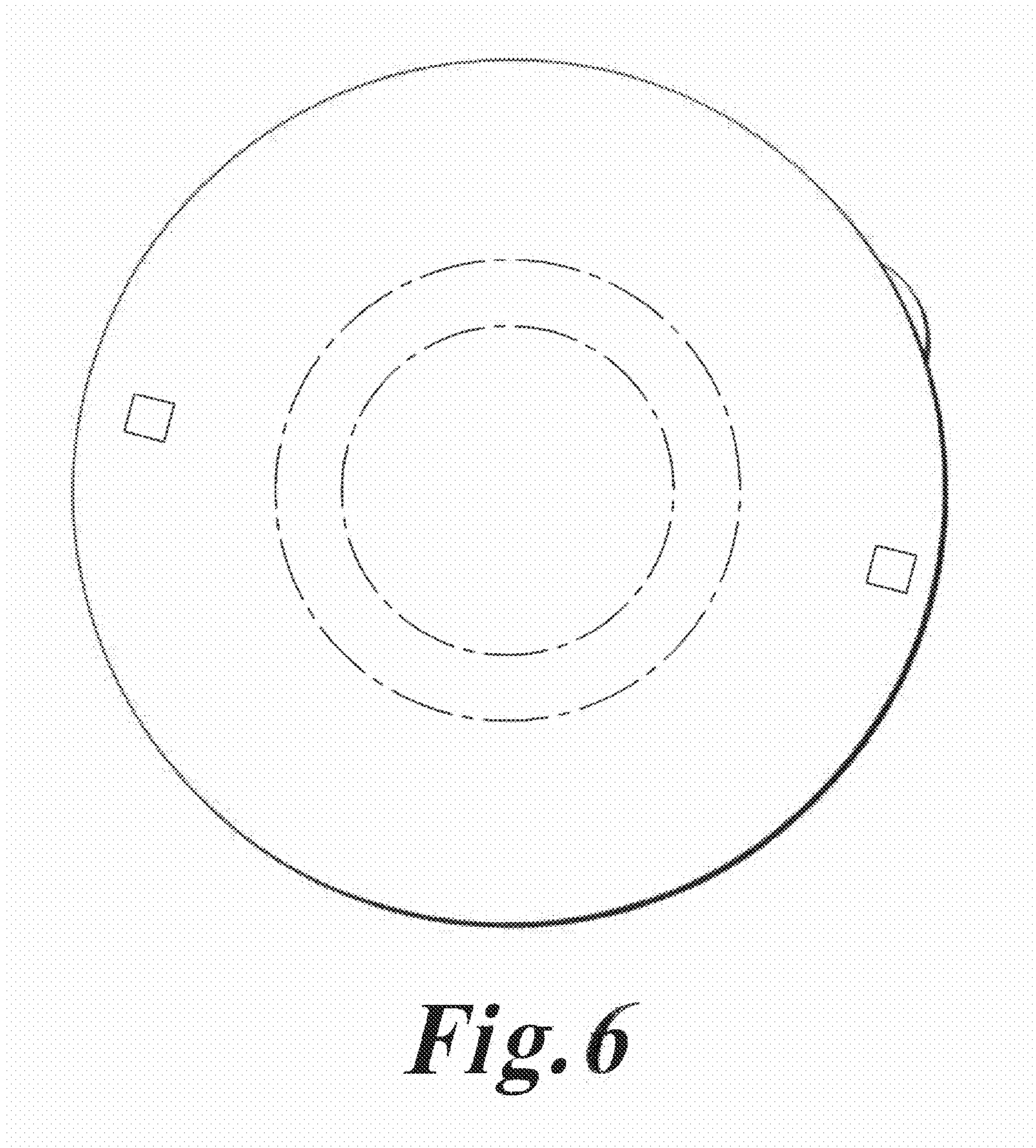


Fig. 5



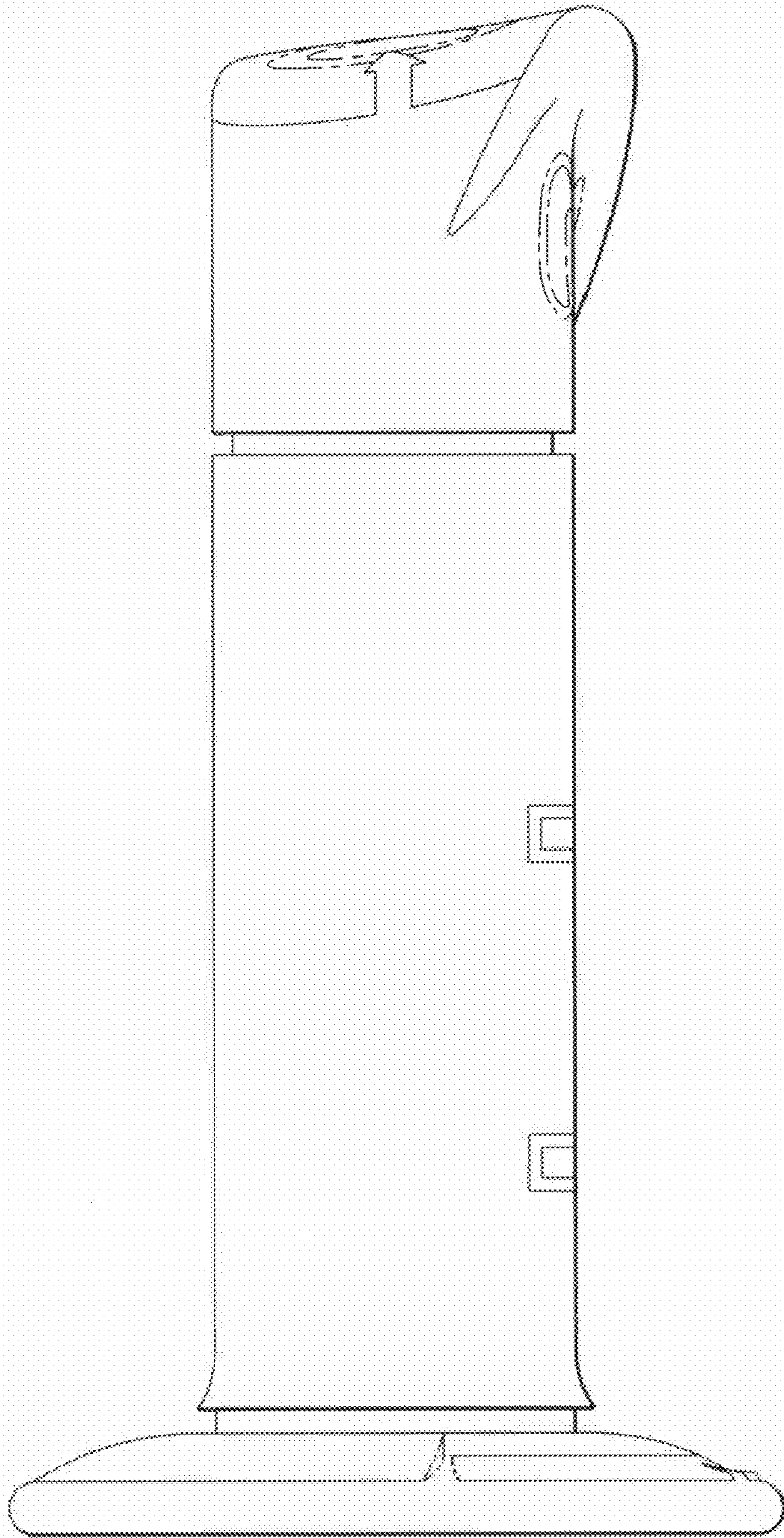


Fig. 7