



US00D590688S

(12) **United States Design Patent**  
**Cheldin**

(10) **Patent No.:** **US D590,688 S**

(45) **Date of Patent:** **\*\* Apr. 21, 2009**

(54) **COMBINED LETTER OPENER, SCREEN  
CLEANER AND PEN CAP**

6,629,327 B2 \* 10/2003 Adams ..... 7/158  
D556,005 S \* 11/2007 Huang ..... D8/104  
D567,056 S \* 4/2008 Lee ..... D8/102  
2006/0140704 A1 \* 6/2006 Wang ..... 401/195

(76) Inventor: **Erwin Cheldin**, 23251 Mulholland Dr.,  
Woodland Hills, CA (US) 91364

\* cited by examiner

(\*\*) Term: **14 Years**

*Primary Examiner*—Cathron C Brooks

*Assistant Examiner*—Austin Murphy

(21) Appl. No.: **29/327,105**

(74) *Attorney, Agent, or Firm*—Kelley Lowry & Kelley, LLP

(22) Filed: **Oct. 30, 2008**

(57) **CLAIM**

(51) **LOC (9) Cl.** ..... **08-03**

The ornamental design for a combined letter opener, screen cleaner and pen cap, as shown.

(52) **U.S. Cl.** ..... **D8/104**

(58) **Field of Classification Search** ..... D8/98,  
D8/107, 102, 103, 104, 48, 99, 41; D19/65,  
D19/36; 30/DIG. 3, 294; 254/28; 7/160;  
D10/2

**DESCRIPTION**

See application file for complete search history.

FIG. 1 is a top, front and right side perspective view of a combined letter opener, screen cleaner and pen cap embodying my new design;

(56) **References Cited**

FIG. 2 is a front elevational view thereof;

**U.S. PATENT DOCUMENTS**

FIG. 3 is a rear elevational view thereof;

D114,629 S \* 5/1939 Becker ..... D19/73  
4,862,544 A \* 9/1989 Wallace ..... 7/118  
D353,316 S \* 12/1994 Schmidt et al. .... D8/104  
D388,306 S \* 12/1997 Vaught ..... D8/104  
6,065,169 A \* 5/2000 Cheldin ..... 7/160  
D435,422 S \* 12/2000 Schimmel ..... D8/104  
6,163,910 A \* 12/2000 Cheldin ..... 7/160

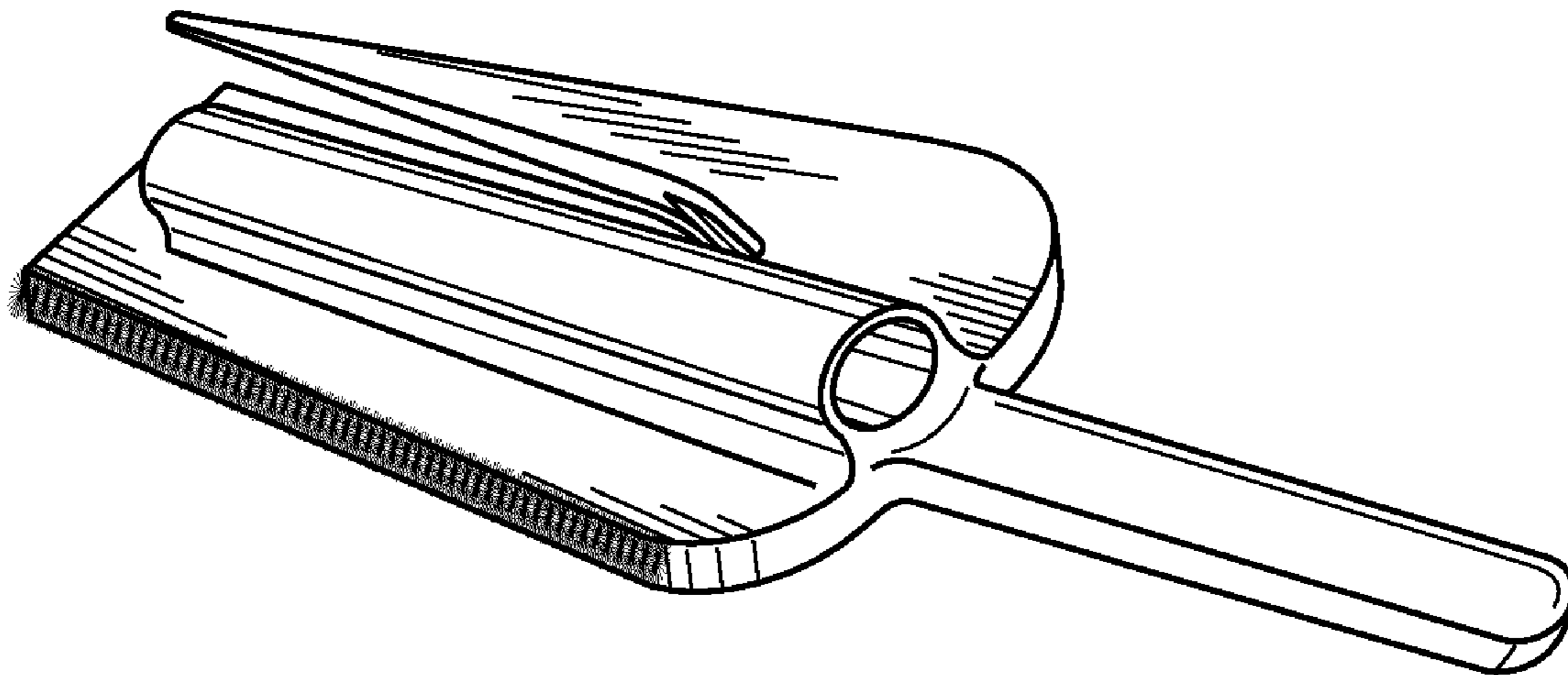
FIG. 4 is a right side elevational view thereof;

FIG. 5 is a left side elevational view thereof;

FIG. 6 is a top plan view thereof; and,

FIG. 7 is a bottom plan view thereof.

**1 Claim, 1 Drawing Sheet**



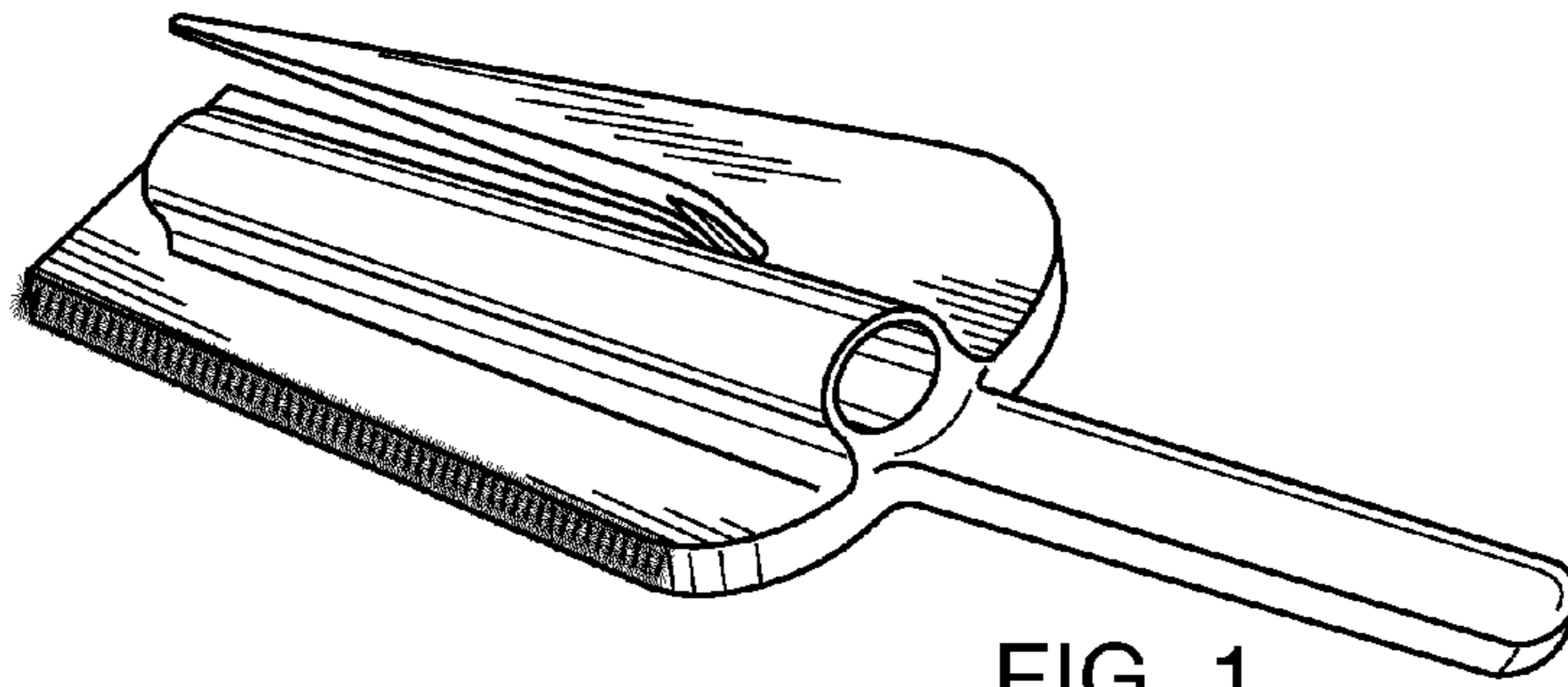


FIG. 1



FIG. 2



FIG. 3



FIG. 4

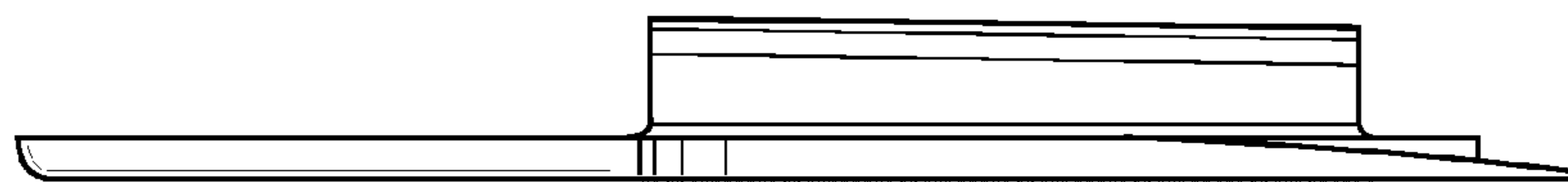


FIG. 5

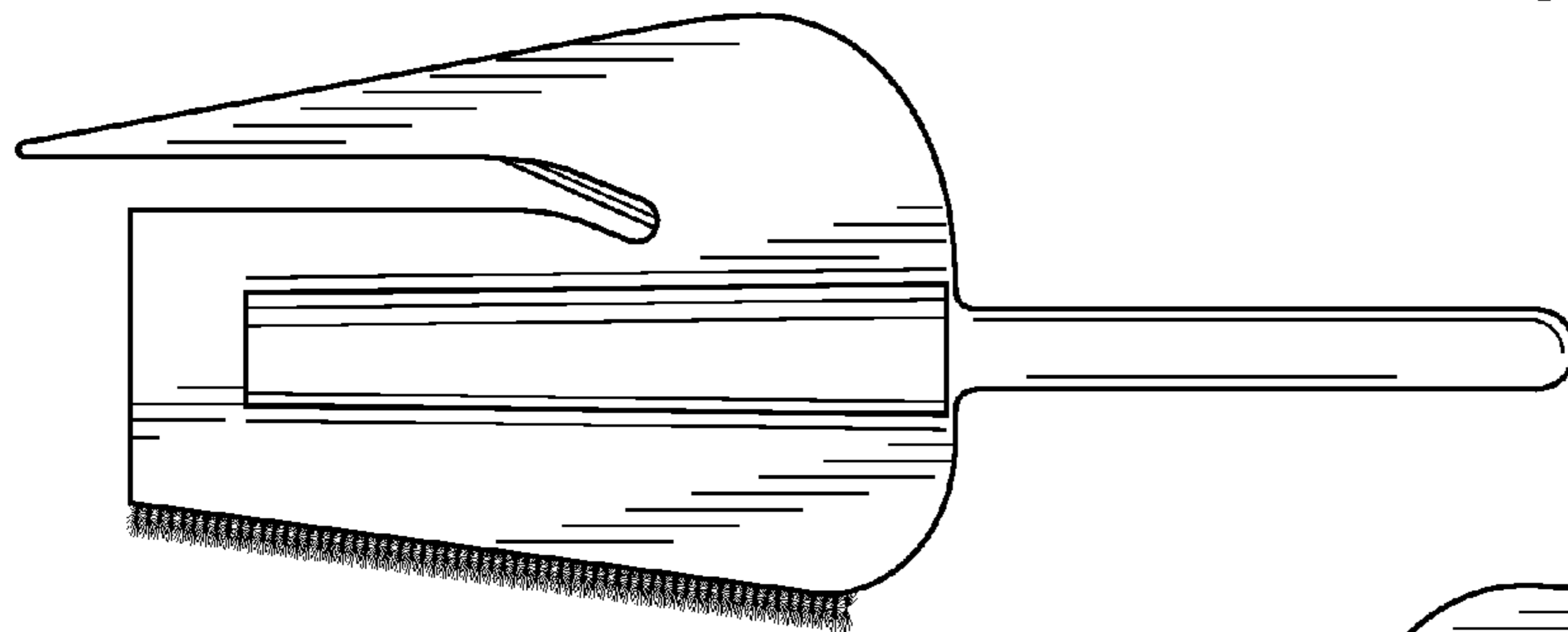


FIG. 6

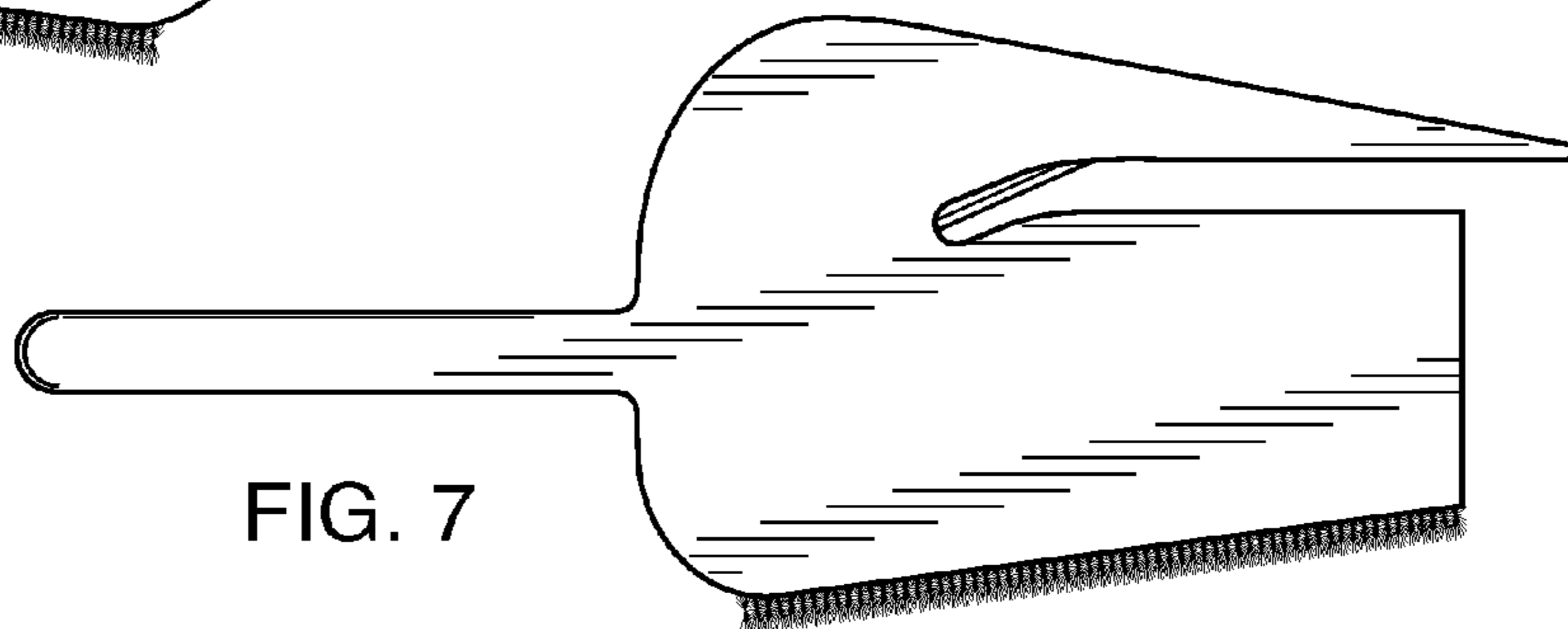


FIG. 7