



US00D590683S

(12) **United States Design Patent**
Wright

(10) **Patent No.:** **US D590,683 S**
(45) **Date of Patent:** **** Apr. 21, 2009**

- (54) **DRILL**
- (75) Inventor: **Stuart J. Wright**, Timonium, MD (US)
- (73) Assignee: **Black & Decker Inc.**, Newark, DE (US)
- (**) Term: **14 Years**
- (21) Appl. No.: **29/279,109**
- (22) Filed: **Apr. 19, 2007**

Related U.S. Application Data

- (63) Continuation-in-part of application No. 29/248,957, filed on Sep. 12, 2006, now abandoned.

- (51) **LOC (9) Cl.** **08-05**
- (52) **U.S. Cl.** **D8/68**
- (58) **Field of Classification Search** D8/14.1, D8/61, 62, 63, 64, 65, 66, 67, 68, 69, 70; 81/57.11, 429, 454, 455, 456, 469, 489; 173/13, 173/104, 114, 168, 169, 170, 171, 178, 201, 173/211, 213, 217; 408/20, 124, 125, 234, 408/241 R; 451/358; 310/50; 227/8, 113, 227/114, 120, 130, 136, 142

See application file for complete search history.

(56) **References Cited**

U.S. PATENT DOCUMENTS

- 3,724,237 A * 4/1973 Wood 408/20
- 4,440,238 A * 4/1984 Sauerwein et al. 173/170
- D280,883 S 10/1985 Sakamoto et al.
- D304,287 S * 10/1989 Zurwelle D8/68
- D316,021 S 4/1991 Bunyea
- D326,400 S 5/1992 Fushiya et al.
- D344,000 S * 2/1994 Shibata et al. D8/68
- D353,526 S 12/1994 Hoshino
- 5,372,206 A * 12/1994 Sasaki et al. 173/178
- D386,193 S * 11/1997 Steadings D8/70
- D394,995 S * 6/1998 Cooper D8/68
- D396,395 S 7/1998 Zurwelle
- D400,415 S 11/1998 Zurwelle
- D400,416 S 11/1998 Zurwelle
- D402,872 S * 12/1998 Clowers et al. D8/68

- D403,565 S 1/1999 Chung
- D406,740 S 3/1999 Zurwelle
- D406,742 S 3/1999 Schoen et al.
- 5,893,685 A * 4/1999 Olson et al. 81/439
- 5,984,022 A * 11/1999 Harman et al. 81/57.11
- 6,007,277 A * 12/1999 Olson et al. 408/124
- D426,442 S * 6/2000 Long D8/70
- D439,123 S 3/2001 Sakai et al.
- D441,268 S 5/2001 Heun
- D452,639 S 1/2002 Zurwelle
- D466,386 S 12/2002 Zurwelle
- D467,482 S * 12/2002 Kunz et al. D8/68
- D467,781 S * 12/2002 Kunz et al. D8/68
- D470,027 S * 2/2003 Chunn et al. D8/68

(Continued)

Primary Examiner—T. Chase Nelson
Assistant Examiner—Karen Acker
(74) *Attorney, Agent, or Firm*—Scott B. Markow

(57) **CLAIM**

The ornamental design for a drill, as shown and described.

DESCRIPTION

FIG. 1 is a left, front, and top perspective view of a drill showing my new design.

FIG. 2 is a right side view thereof.

FIG. 3 is a left side view thereof.

FIG. 4 is a top view thereof.

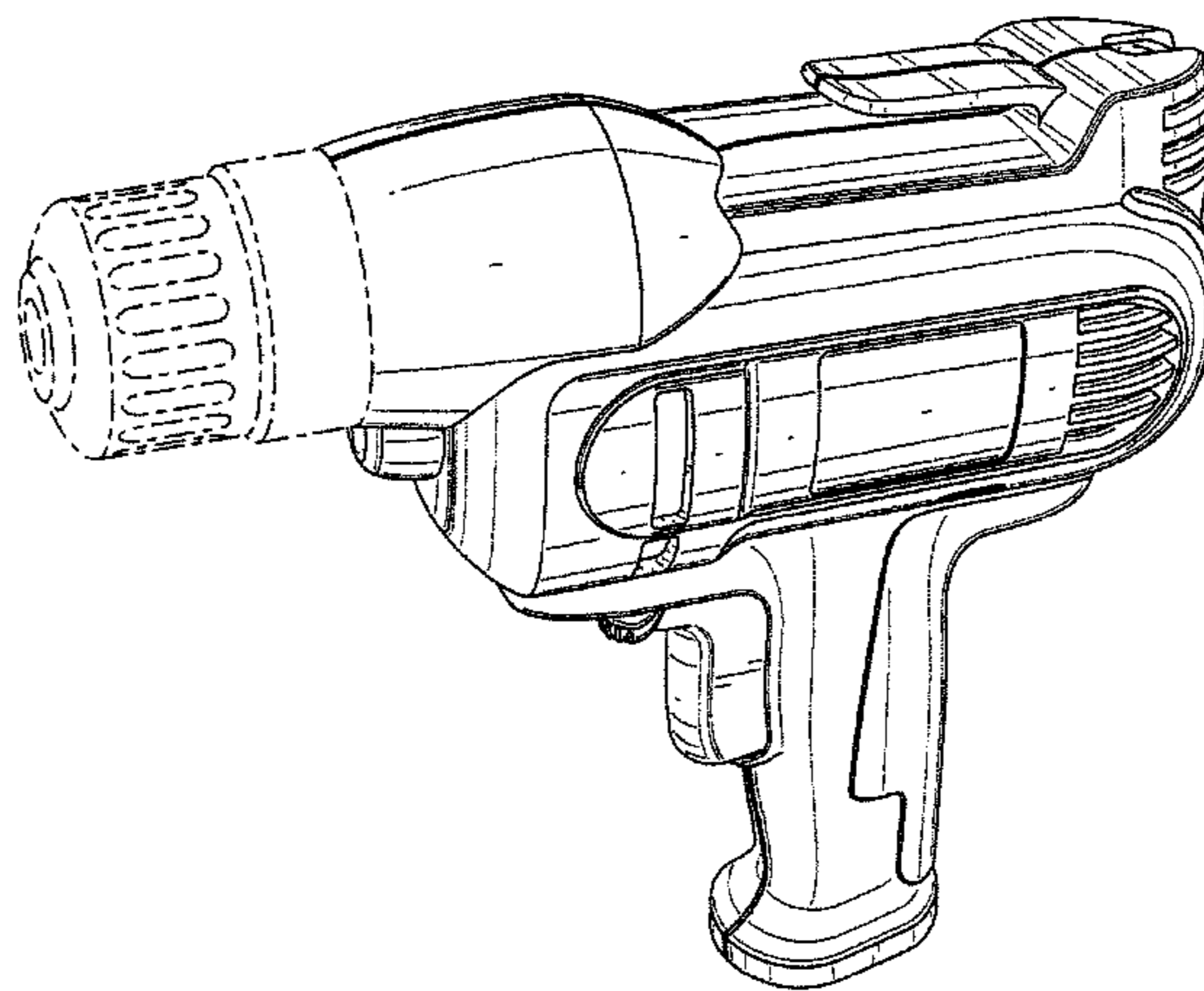
FIG. 5 is a bottom view thereof.

FIG. 6 is a front view thereof; and,

FIG. 7 is a rear view thereof.

The broken lines and areas within the broken lines illustrate environmental structure that is not part of the claim. The broken lines and structure they depict form no part of the claimed design.

1 Claim, 5 Drawing Sheets



US D590,683 S

Page 2

U.S. PATENT DOCUMENTS

D470,378 S *	2/2003	Chunn et al.	D8/68	D515,380 S *	2/2006	Ng	D8/68
D470,737 S	2/2003	Chunn et al.		D517,885 S *	3/2006	Corcoran	D8/68
D482,254 S	11/2003	Tsuzki et al.		D520,320 S	5/2006	Corcoran	
D486,049 S	2/2004	Sugiura et al.		D520,833 S	5/2006	Andriolo	
D490,677 S	6/2004	Chung et al.		D521,338 S	5/2006	Wai	
D494,033 S	8/2004	Thomas et al.		7,077,218 B2 *	7/2006	Justis et al.	173/217
D496,573 S *	9/2004	Cooper	D8/68	D525,847 S	8/2006	Feldmann et al.	
D496,574 S	9/2004	Sakai et al.		D526,178 S	8/2006	Alias	
D497,786 S *	11/2004	Concari	D8/68	D531,874 S	11/2006	Wu	
D498,400 S	11/2004	Wu		7,134,510 B2 *	11/2006	Justis et al.	173/170
D500,653 S *	1/2005	Concari	D8/68	D533,419 S	12/2006	Aglassinger	
D501,384 S *	2/2005	Wright et al.	D8/68	D533,420 S	12/2006	Waldron	
D502,376 S	3/2005	Andriolo		D534,403 S *	1/2007	Concari	D8/68
D507,952 S	8/2005	Wu		D535,860 S *	1/2007	Cooper	D8/68
D513,951 S	1/2006	Chung et al.		2003/0165366 A1 *	9/2003	Bennage et al.	408/241 R
				2005/0257945 A1 *	11/2005	Justis et al.	173/217

* cited by examiner

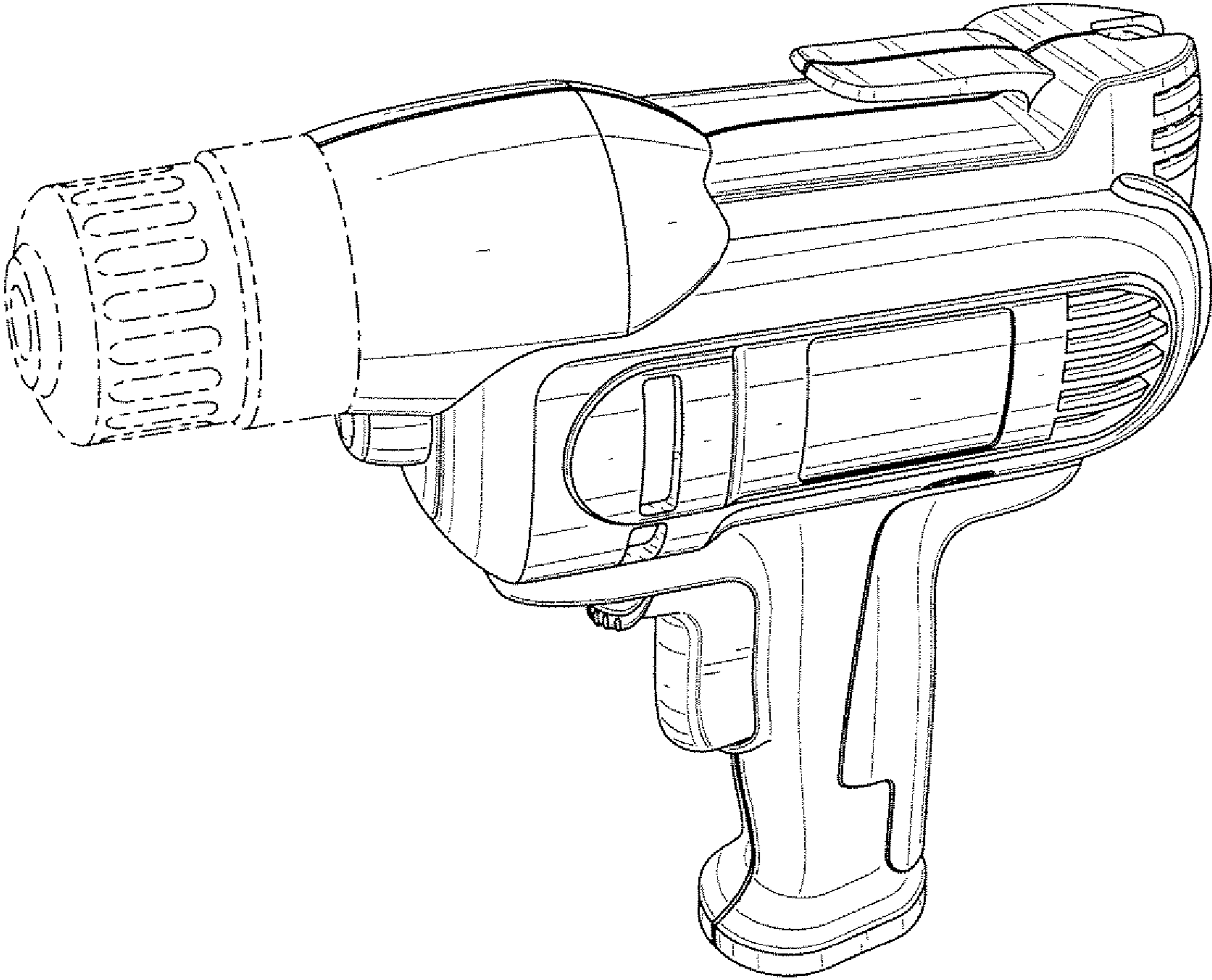


FIG. 1

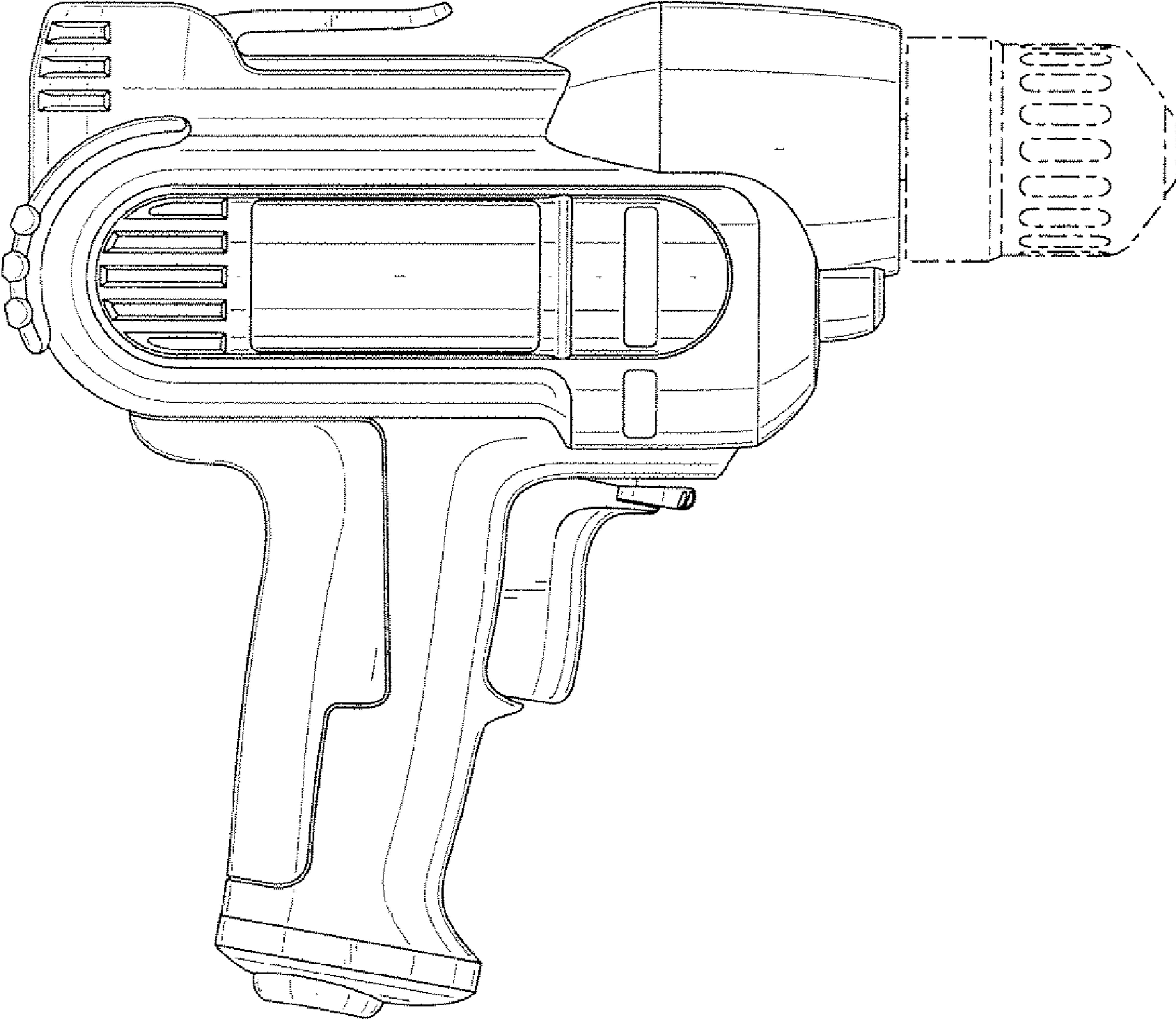


FIG. 2

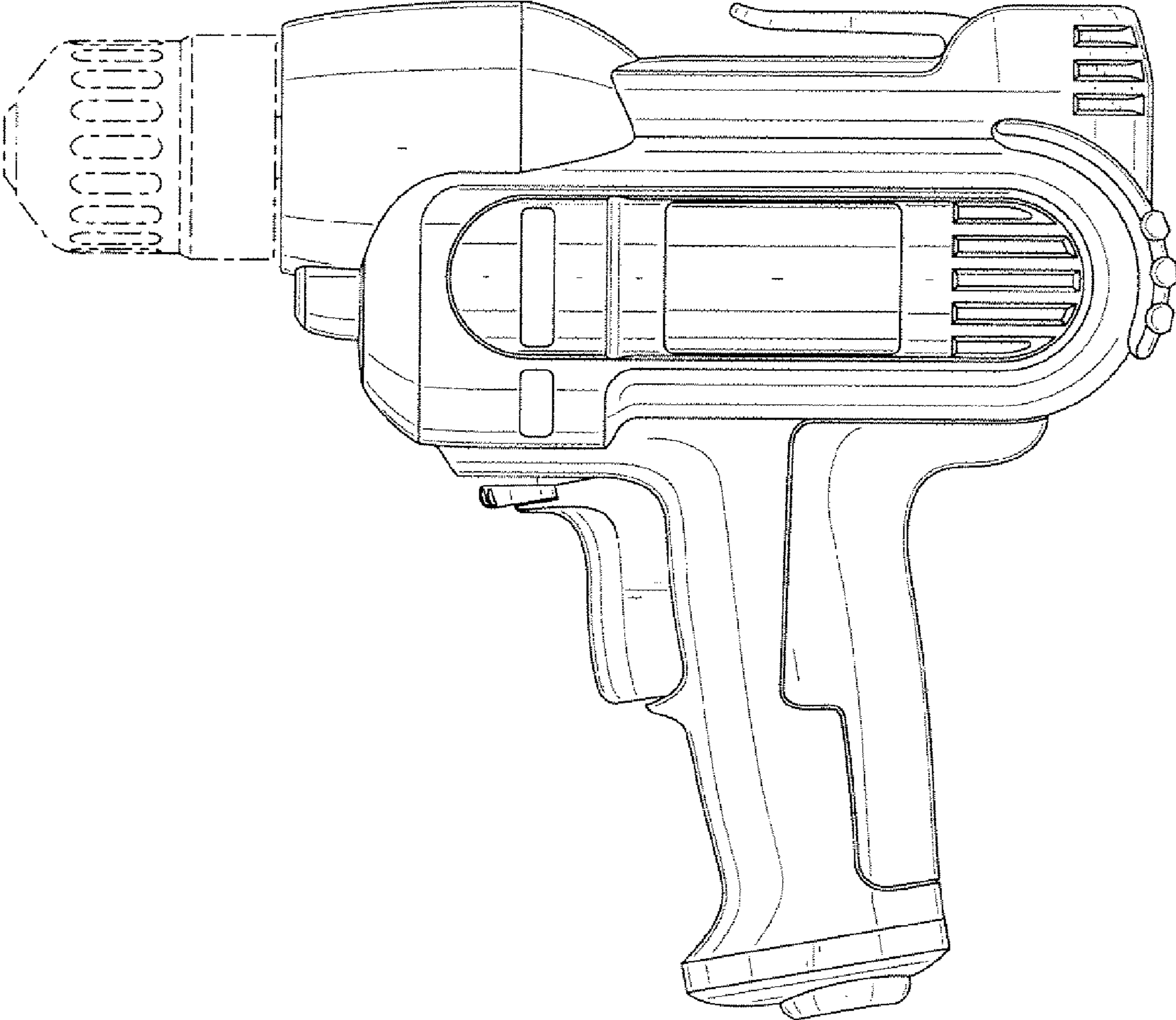


FIG. 3

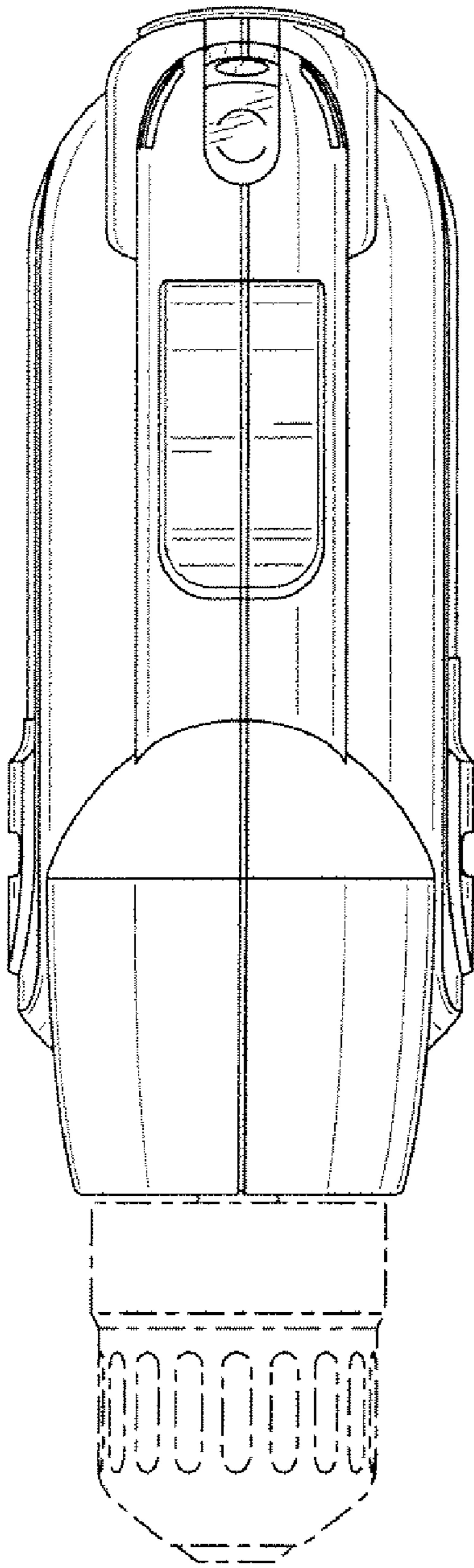


FIG. 4

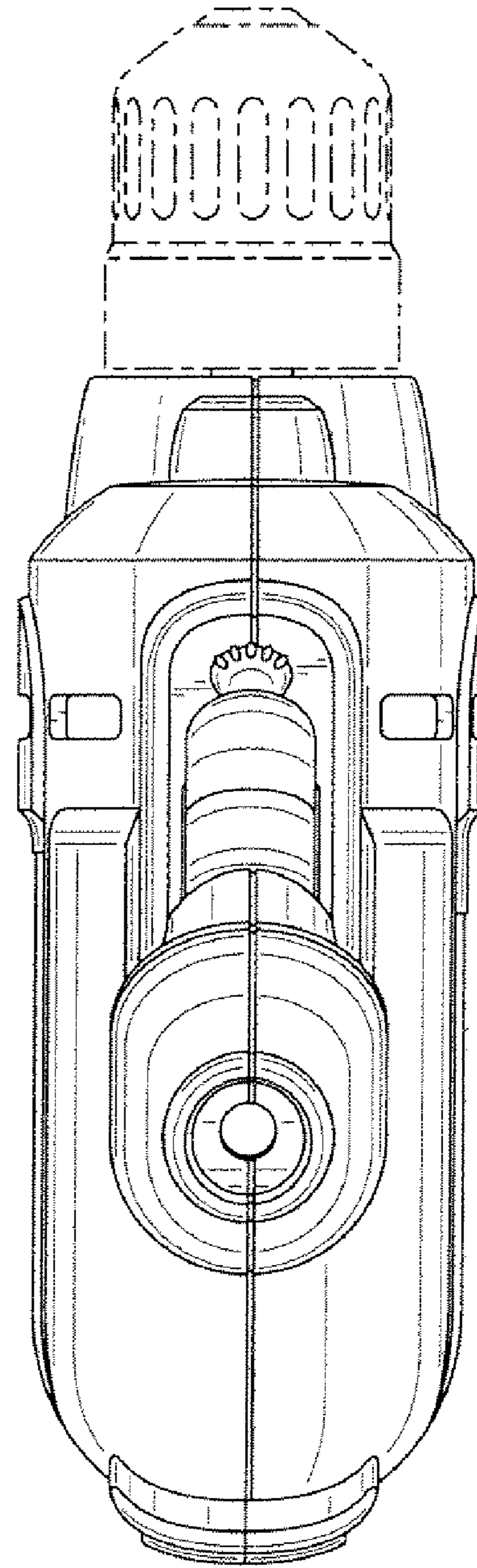


FIG. 5

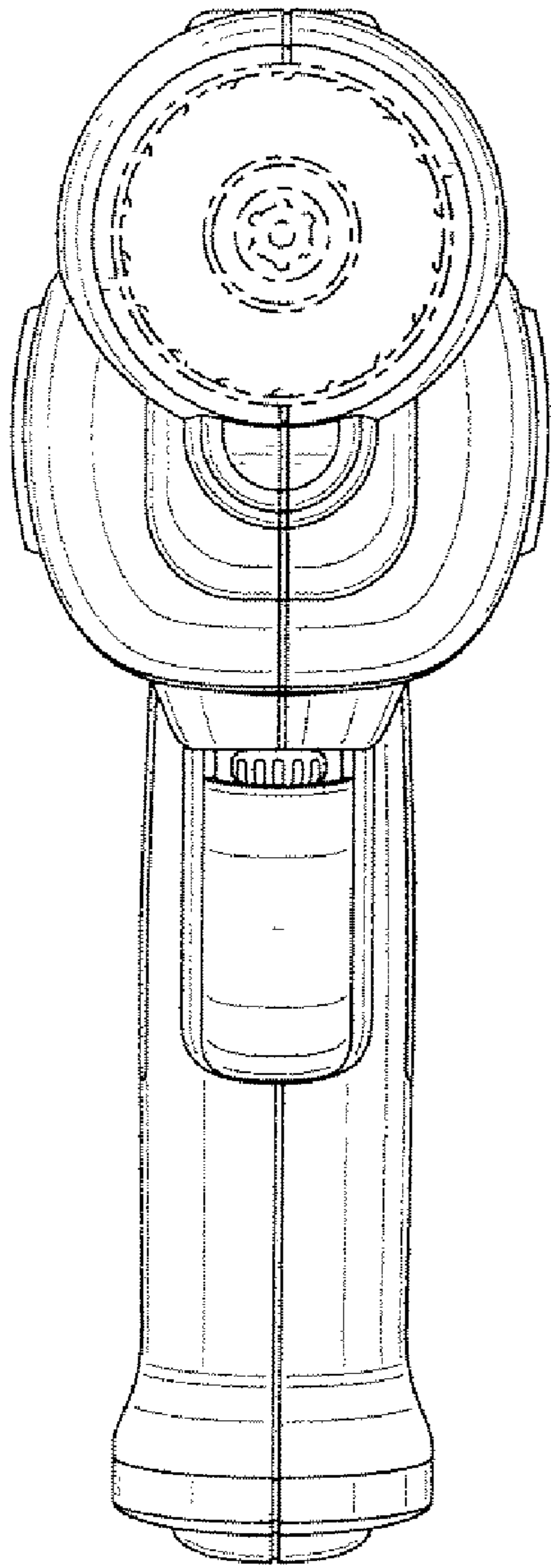


FIG. 6

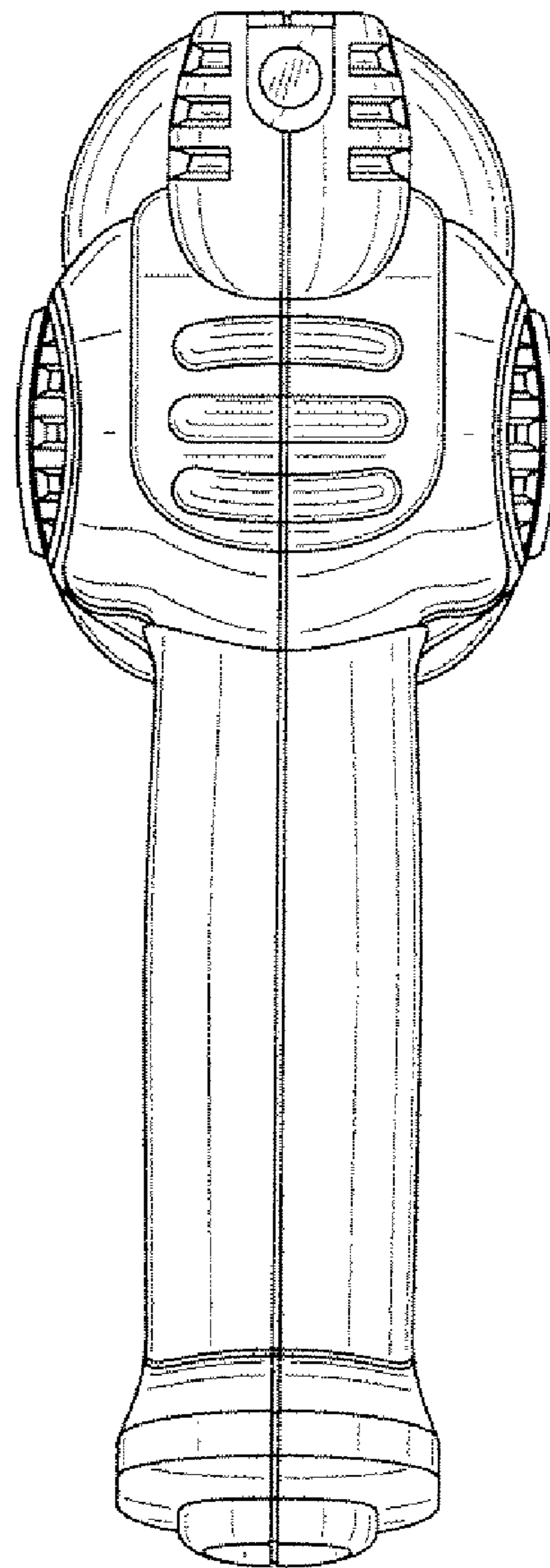


FIG. 7