



US00D590682S

(12) **United States Design Patent**
Enriquez

(10) **Patent No.:** **US D590,682 S**

(45) **Date of Patent:** **** Apr. 21, 2009**

(54) **AIR TOOL**

(75) Inventor: **Nheeda Enriquez**, Jersey City, NJ (US)

(73) Assignee: **Ingersoll-Rand Company**, Montvale, NJ (US)

(**) Term: **14 Years**

(21) Appl. No.: **29/258,188**

(22) Filed: **Apr. 18, 2006**

(51) **LOC (9) Cl.** **08-06**

(52) **U.S. Cl.** **D8/68**

(58) **Field of Classification Search** D8/14.1,
D8/61, 62, 63, 64, 65, 66, 67, 68, 69, 70;
81/57.11, 429, 454, 455, 456, 469, 489; 173/13,
173/104, 114, 168, 169, 170, 171, 178, 201,
173/211, 213, 217; 408/20, 124, 125, 234,
408/241 R; 451/358; 310/50; 227/8, 113,
227/114, 120, 130, 136, 142

See application file for complete search history.

(56) **References Cited**

U.S. PATENT DOCUMENTS

2,950,775	A *	8/1960	Zwayer	173/169
3,298,284	A *	1/1967	Alexander	173/169
3,901,631	A *	8/1975	Wickham et al.	D8/68
D339,726	S	9/1993	Bruno et al.	
5,293,747	A	3/1994	Geiger	
5,346,024	A	9/1994	Geiger et al.	
D358,314	S *	5/1995	Izumisawa	D8/62
D364,544	S *	11/1995	Izumisawa	D8/62
D388,678	S	1/1998	Bantly et al.	
D393,580	S	4/1998	Bantly et al.	
5,906,244	A	5/1999	Thompson et al.	
D430,995	S *	9/2000	Izumisawa	D8/62
D434,297	S	11/2000	Iritani et al.	
D444,365	S *	7/2001	Bass et al.	D8/68
D446,434	S *	8/2001	Ashbaugh et al.	D8/68
D458,103	S *	6/2002	Chen	D8/68

D459,177	S *	6/2002	Chen	D8/68
D459,180	S *	6/2002	Morgan	D8/68
D459,182	S *	6/2002	Morgan	D8/68
D459,643	S *	7/2002	Morgan	D8/68
D459,644	S *	7/2002	Morgan	D8/68
D460,675	S *	7/2002	Morgan	D8/68
D466,778	S *	12/2002	Morgan	D8/68
6,491,111	B1	12/2002	Livingston et al.	
D469,673	S	2/2003	Sliker et al.	
D488,041	S *	4/2004	Chen	D8/68

(Continued)

OTHER PUBLICATIONS

Photographs of pneumatic tools publicly available prior to Apr. 18, 2006.

Primary Examiner—T. Chase Nelson

Assistant Examiner—Karen Acker

(74) *Attorney, Agent, or Firm*—Michael Best & Friedrich LLP

(57) **CLAIM**

The ornamental design for the air tool, as shown and described.

DESCRIPTION

FIG. 1 is a perspective view of an air tool.

FIG. 2 is a top view of the air tool shown in FIG. 1.

FIG. 3 is a bottom view of the air tool shown in FIG. 1.

FIG. 4 is a front view of the air tool shown in FIG. 1.

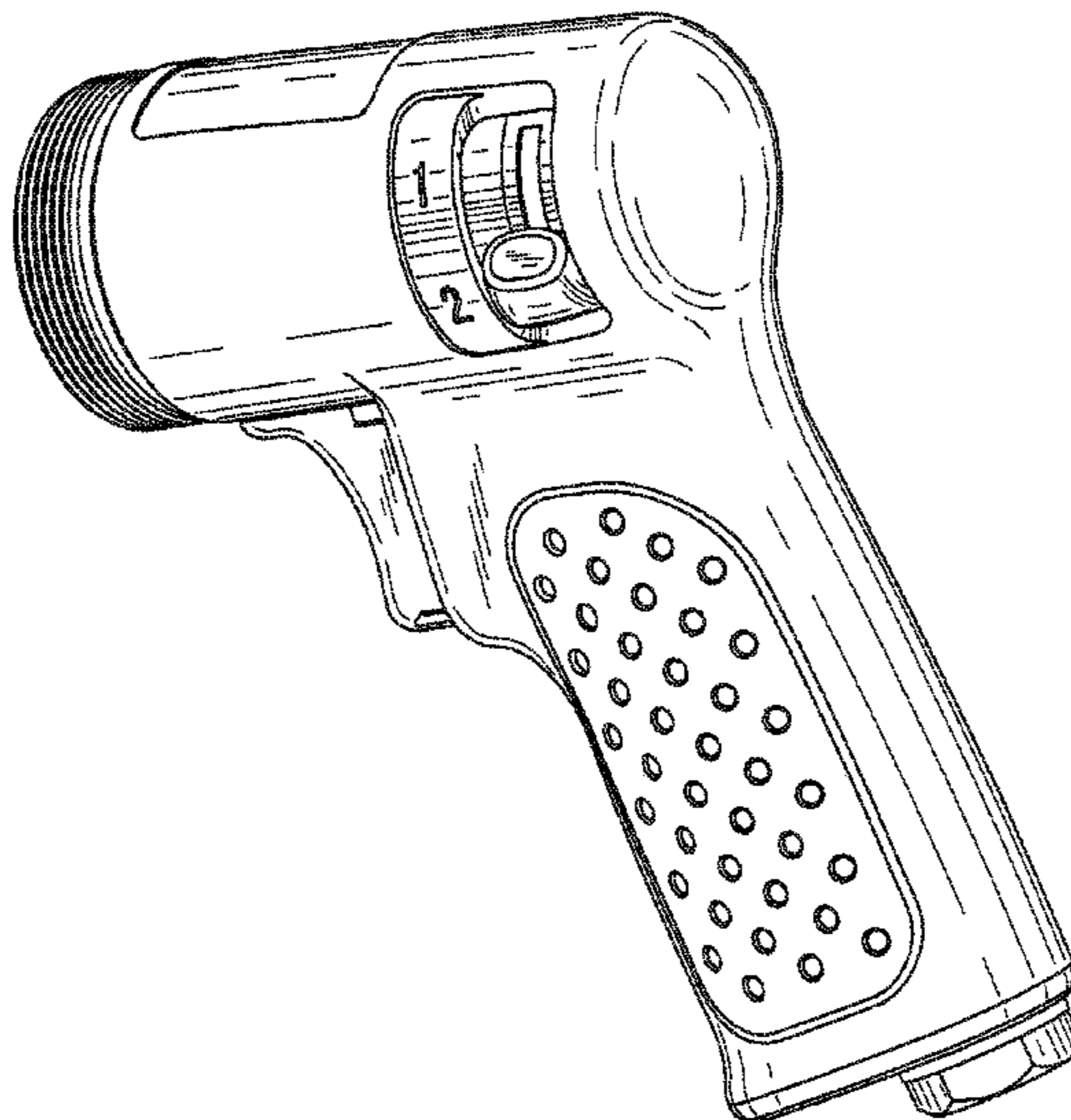
FIG. 5 is a rear view of the air tool shown in FIG. 1.

FIG. 6 is a right side view of the air tool shown in FIG. 1; and,

FIG. 7 is a left side view of the air tool shown in FIG. 1.

The broken lines in the drawing represent internal boundaries of the design and unclaimed portions of the design. The broken lines and the areas within the broken lines form no part of the claimed design.

1 Claim, 4 Drawing Sheets



US D590,682 S

Page 2

U.S. PATENT DOCUMENTS							
				D515,895 S *	2/2006	Chen	D8/68
				D524,135 S *	7/2006	Happ et al.	D8/68
				D538,125 S *	3/2007	Pan	D8/68
6,782,956 B1	8/2004	Seith et al.		2004/0177980 A1	9/2004	Lucas	
D497,529 S	10/2004	Price		2005/0161243 A1	7/2005	Livingston et al.	
6,863,134 B2	3/2005	Seith et al.					
6,889,778 B2	5/2005	Colangelo, III et al.					
D514,413 S *	2/2006	Cuenca et al.	D8/68				

* cited by examiner

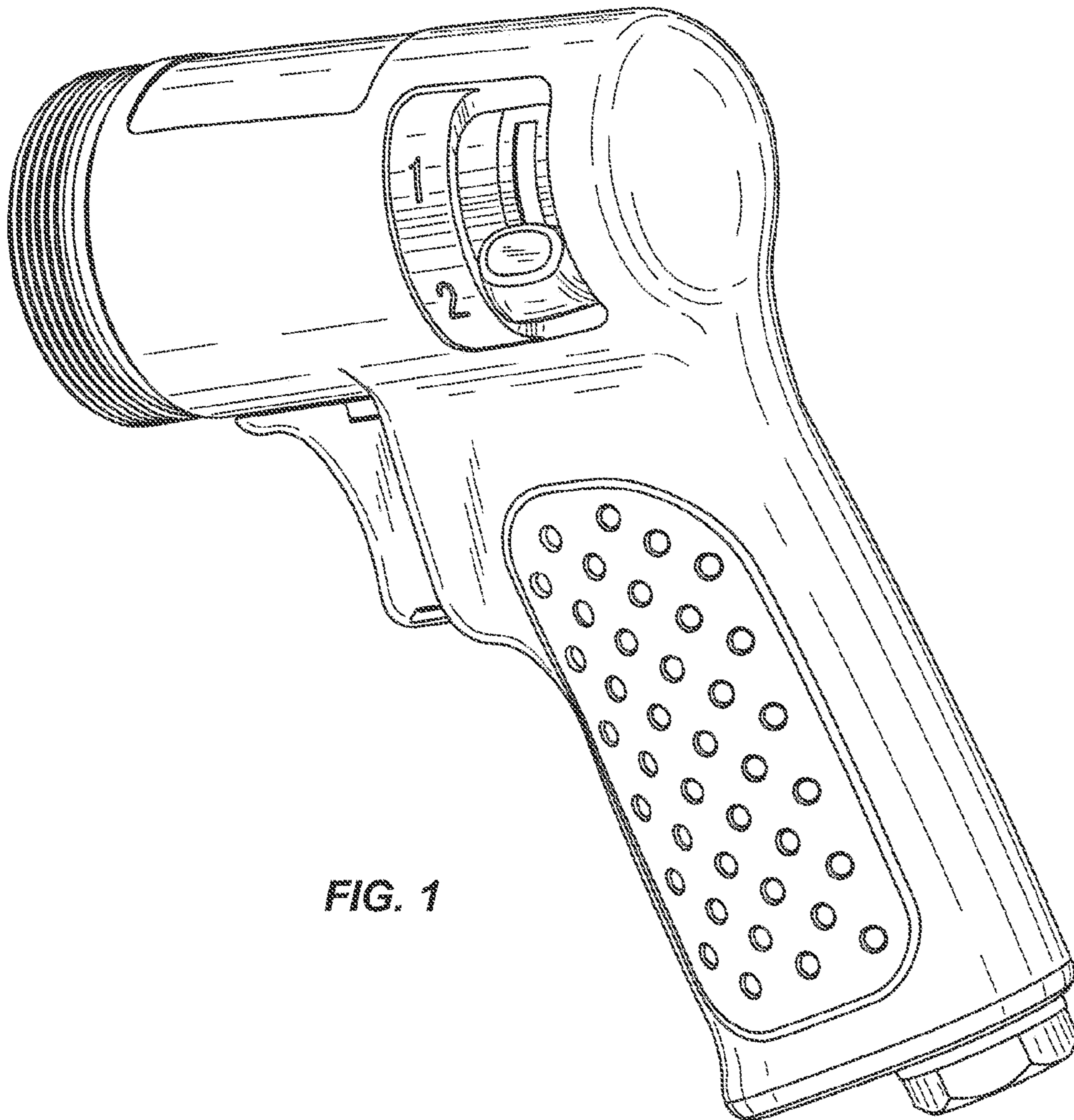


FIG. 1

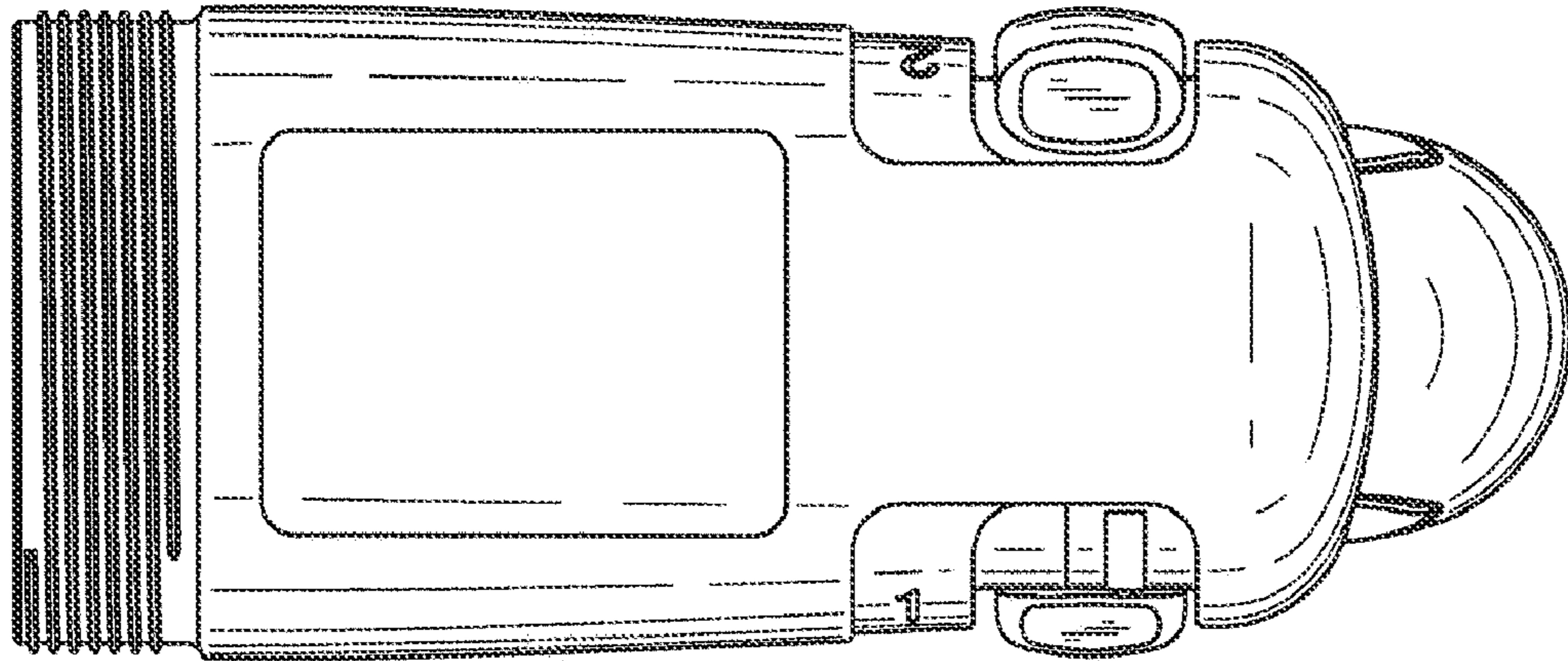


FIG. 2

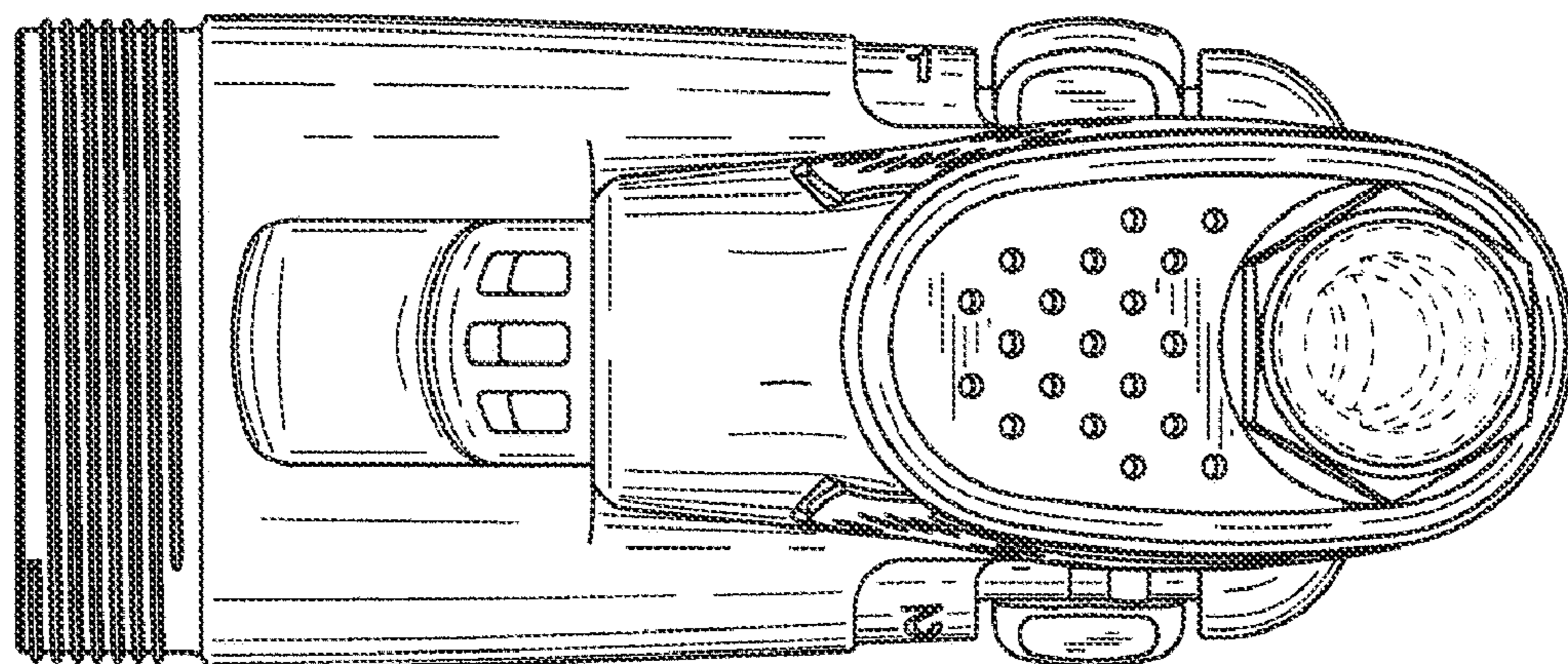


FIG. 3

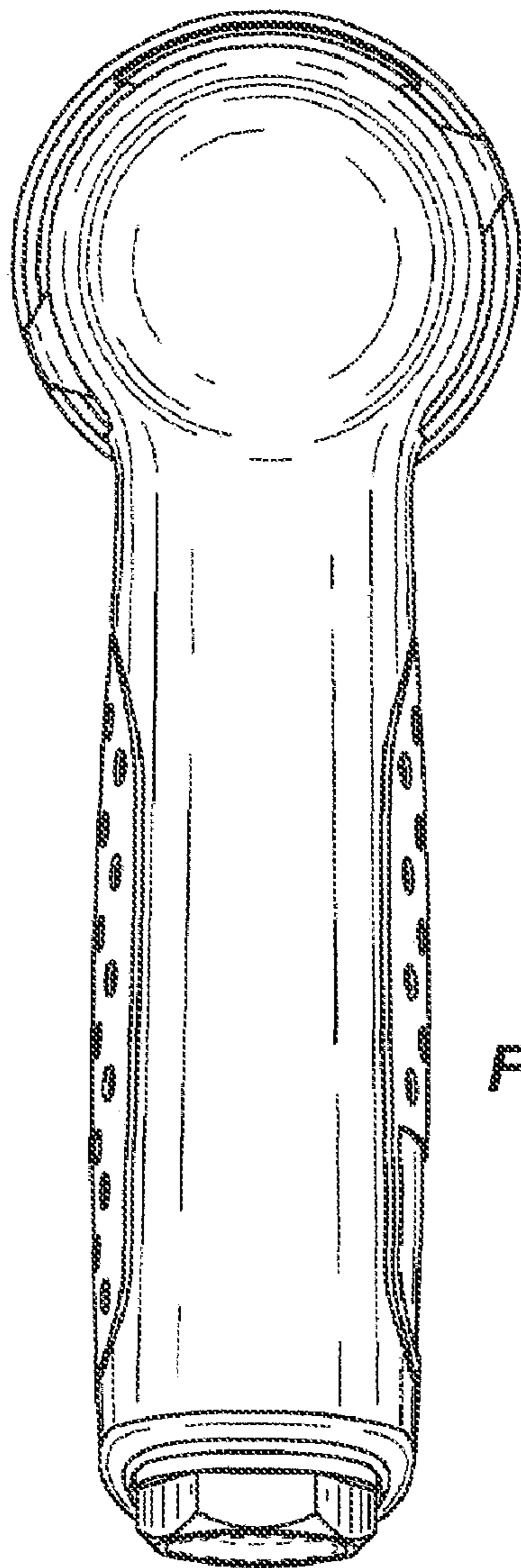


FIG. 5

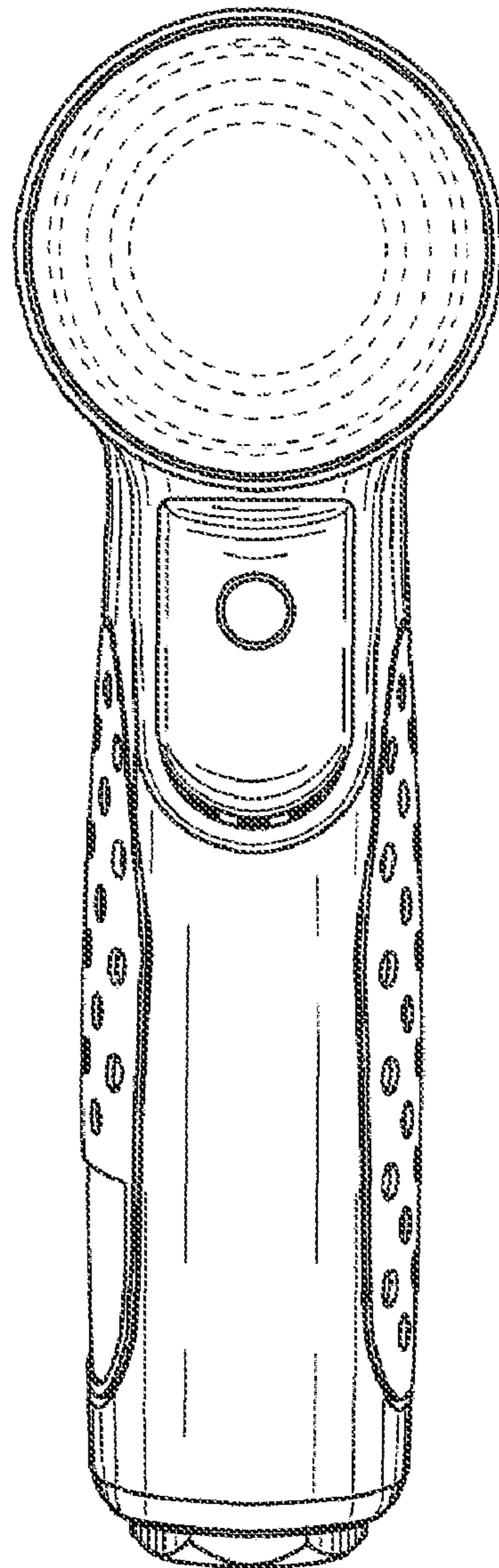


FIG. 4

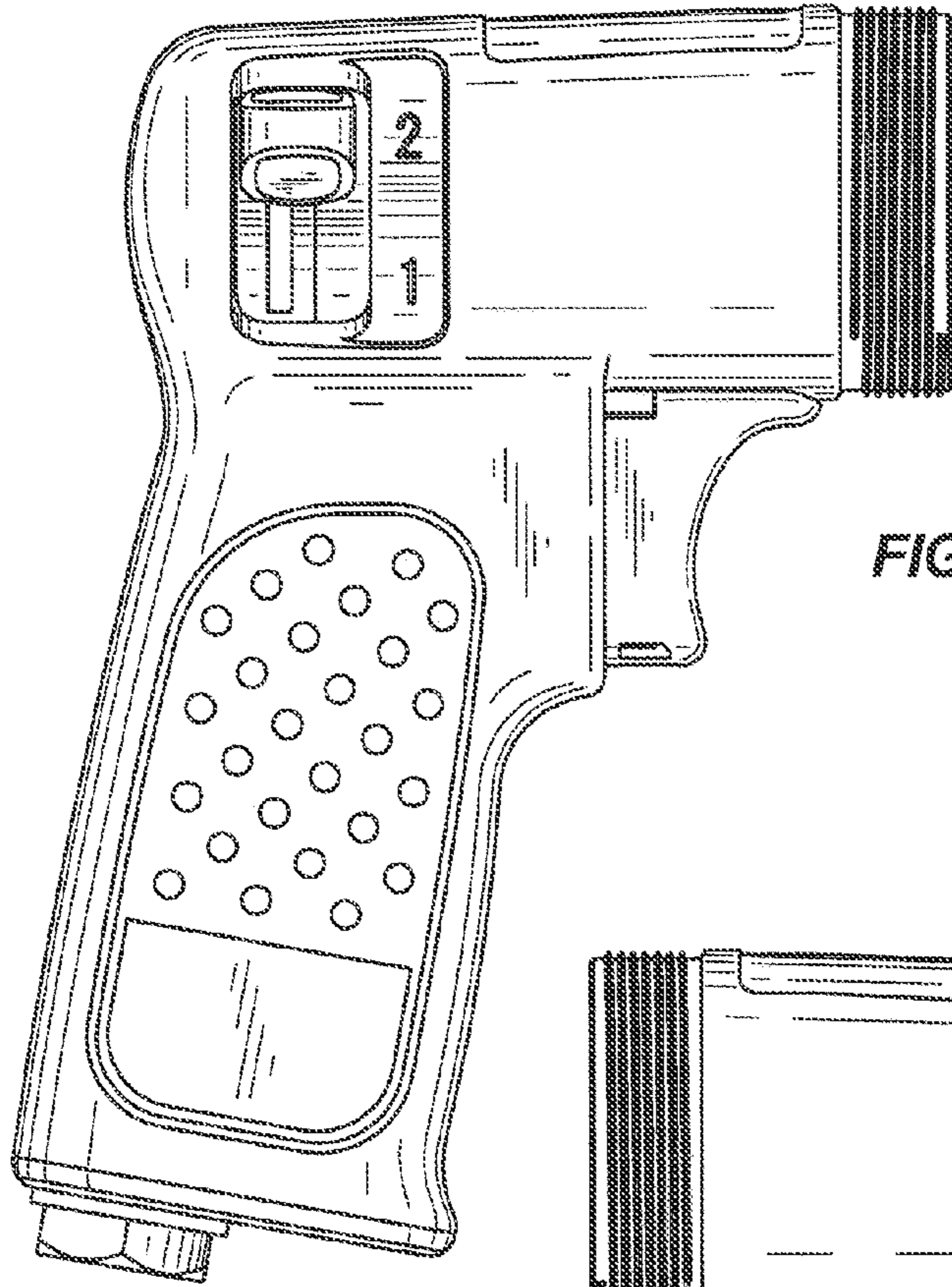


FIG. 6

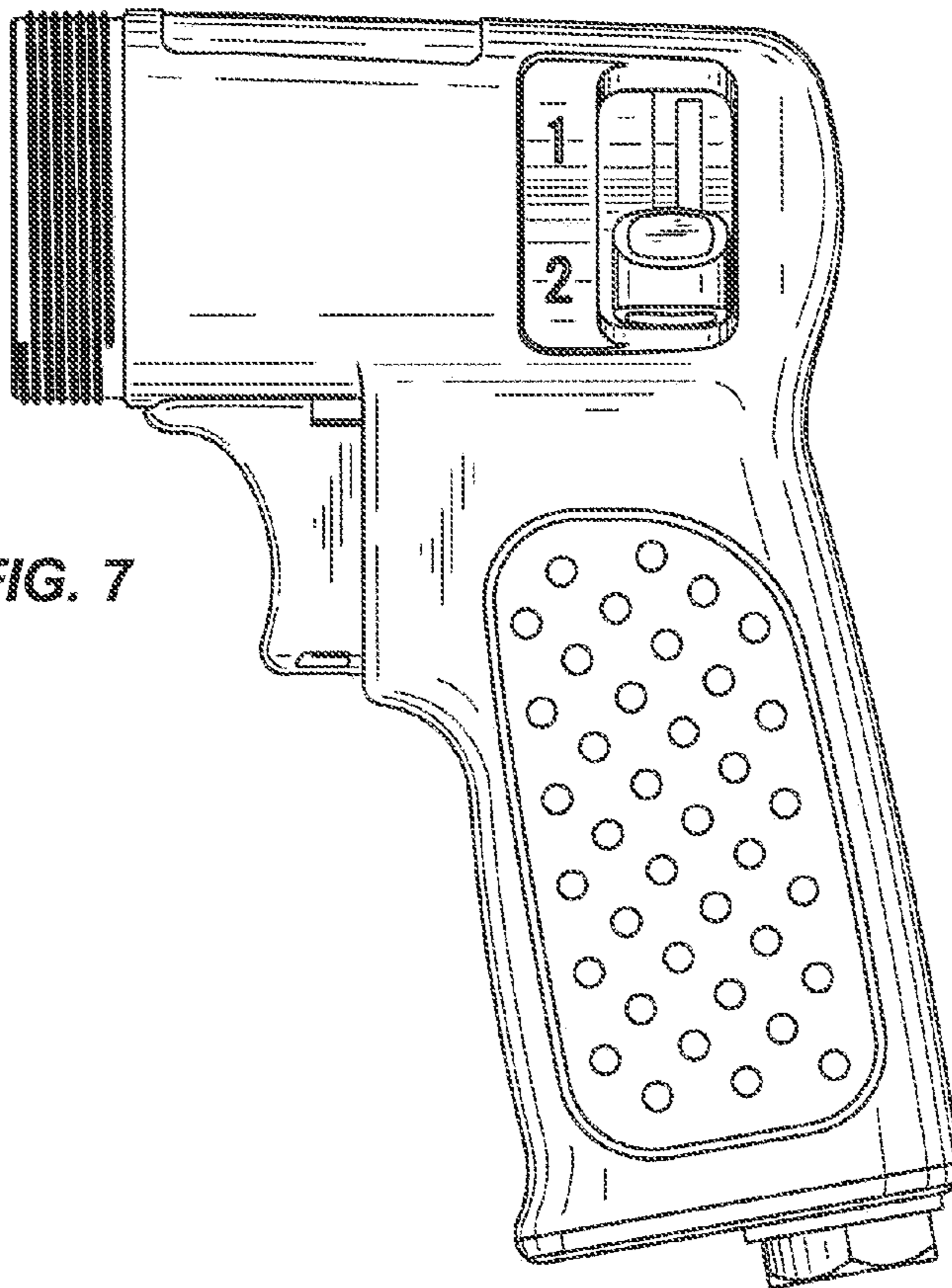


FIG. 7