



US00D590681S

(12) **United States Design Patent**  
**Palermo et al.**

(10) **Patent No.:** **US D590,681 S**

(45) **Date of Patent:** **\*\* Apr. 21, 2009**

(54) **AIR TOOL**

(75) Inventors: **Philip D. Palermo**, Marietta, GA (US);  
**Nheeda Enriquez**, Jersey City, NJ (US)

(73) Assignee: **Ingersoll-Rand Company**, Montvale,  
NJ (US)

(\*\*) Term: **14 Years**

(21) Appl. No.: **29/258,178**

(22) Filed: **Apr. 18, 2006**

(51) **LOC (9) Cl.** ..... **08-05**

(52) **U.S. Cl.** ..... **D8/68**

(58) **Field of Classification Search** ..... D8/14.1,  
D8/61, 62, 63, 64, 65, 66, 67, 68, 69, 70;  
81/57.11, 429, 454, 455, 456, 469, 489; 173/13,  
173/104, 114, 168, 169, 170, 171, 178, 201,  
173/211, 213, 217; 408/20, 124, 125, 234,  
408/241 R; 451/358; 310/50; 227/8, 113,  
227/114, 120, 130, 136, 142

See application file for complete search history.

(56) **References Cited**

**U.S. PATENT DOCUMENTS**

D256,980	S	*	9/1980	Adams et al.	.....	D8/68
D339,726	S		9/1993	Bruno et al.		
5,293,747	A		3/1994	Geiger		
5,346,024	A		9/1994	Geiger et al.		
D388,678	S		1/1998	Bantly et al.		
D393,580	S		4/1998	Bantly et al.		
D400,771	S	*	11/1998	Smith et al.	.....	D8/64
D403,564	S	*	1/1999	Izumisawa	.....	D8/68
5,906,244	A		5/1999	Thompson et al.		
D434,297	S		11/2000	Iritani et al.		
D434,958	S	*	12/2000	Izumisawa	.....	D8/68
6,158,459	A	*	12/2000	Chang	.....	81/489
D436,818	S	*	1/2001	Izumisawa	.....	D8/68
D454,475	S	*	3/2002	Taga	.....	D8/61
6,491,111	B1		12/2002	Livingston et al.		

D469,673	S		2/2003	Sliker et al.		
D476,210	S	*	6/2003	Chen	.....	D8/68
6,782,956	B1		8/2004	Seith et al.		
D496,243	S	*	9/2004	Huang	.....	D8/68
D497,529	S		10/2004	Price		
D497,787	S	*	11/2004	Liao	.....	D8/68
6,863,134	B2		3/2005	Seith et al.		

(Continued)

**OTHER PUBLICATIONS**

Photographs of pneumatic tools publicly available prior to Apr. 18, 2006.

*Primary Examiner*—T. Chase Nelson

*Assistant Examiner*—Karen Acker

(74) *Attorney, Agent, or Firm*—Michael Best & Friedrich LLP

(57) **CLAIM**

The ornamental design for the air tool, as shown and described.

**DESCRIPTION**

FIG. 1 is a perspective view of an air tool.

FIG. 2 is a top view of the air tool shown in FIG. 1.

FIG. 3 is a bottom view of the air tool shown in FIG. 1.

FIG. 4 is a front view of the air tool shown in FIG. 1.

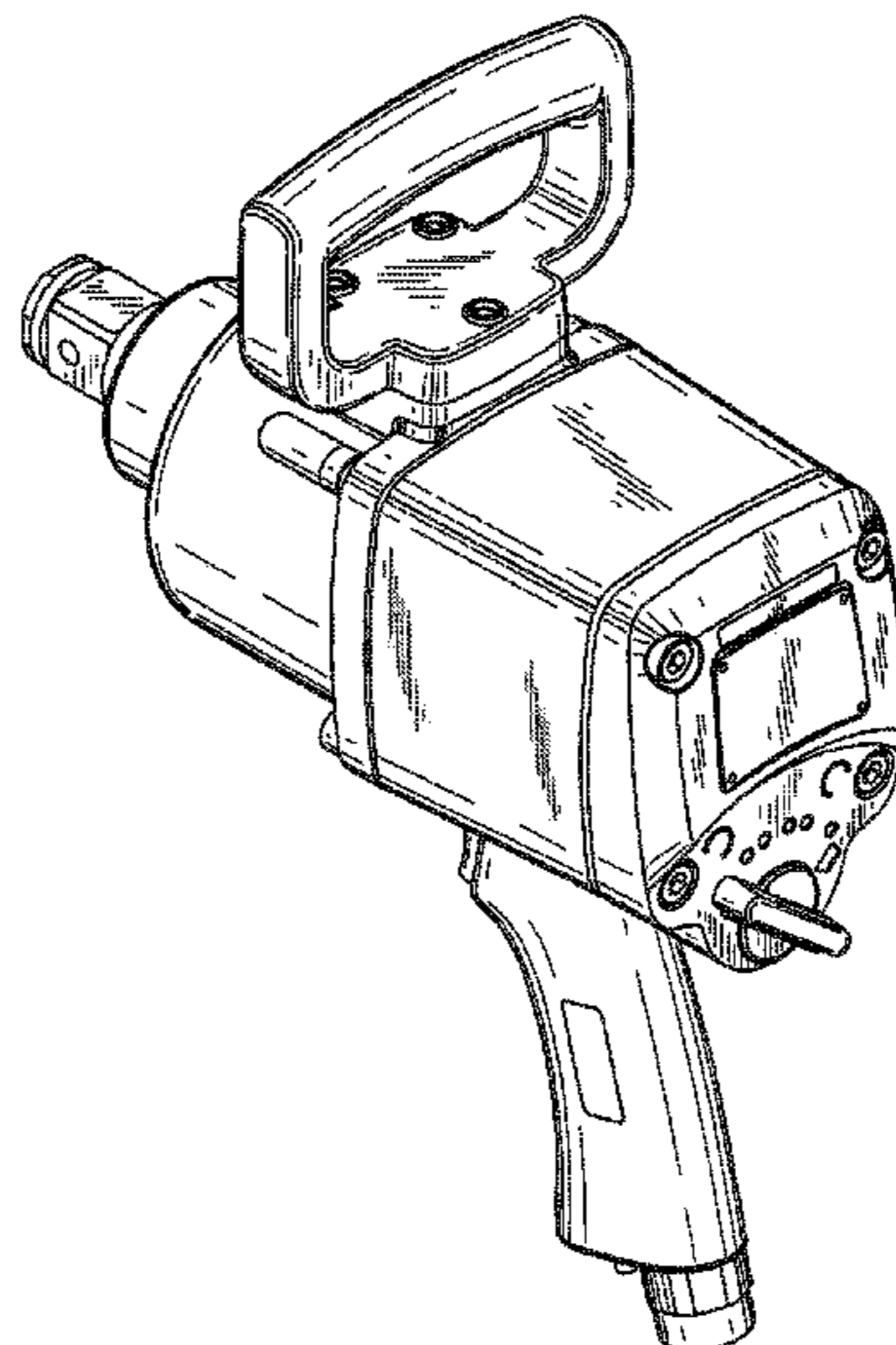
FIG. 5 is a rear view of the air tool shown in FIG. 1.

FIG. 6 is a right side view of the air tool shown in FIG. 1; and,

FIG. 7 is a left side view of the air tool shown in FIG. 1.

The present application is directed to the shape and contour of the design illustrated in the drawings. The broken line showing of the environment is for illustrative purposes only and forms no part of the claimed design. The broken lines which define the boundaries of the claimed design form no part thereof.

**1 Claim, 4 Drawing Sheets**



# US D590,681 S

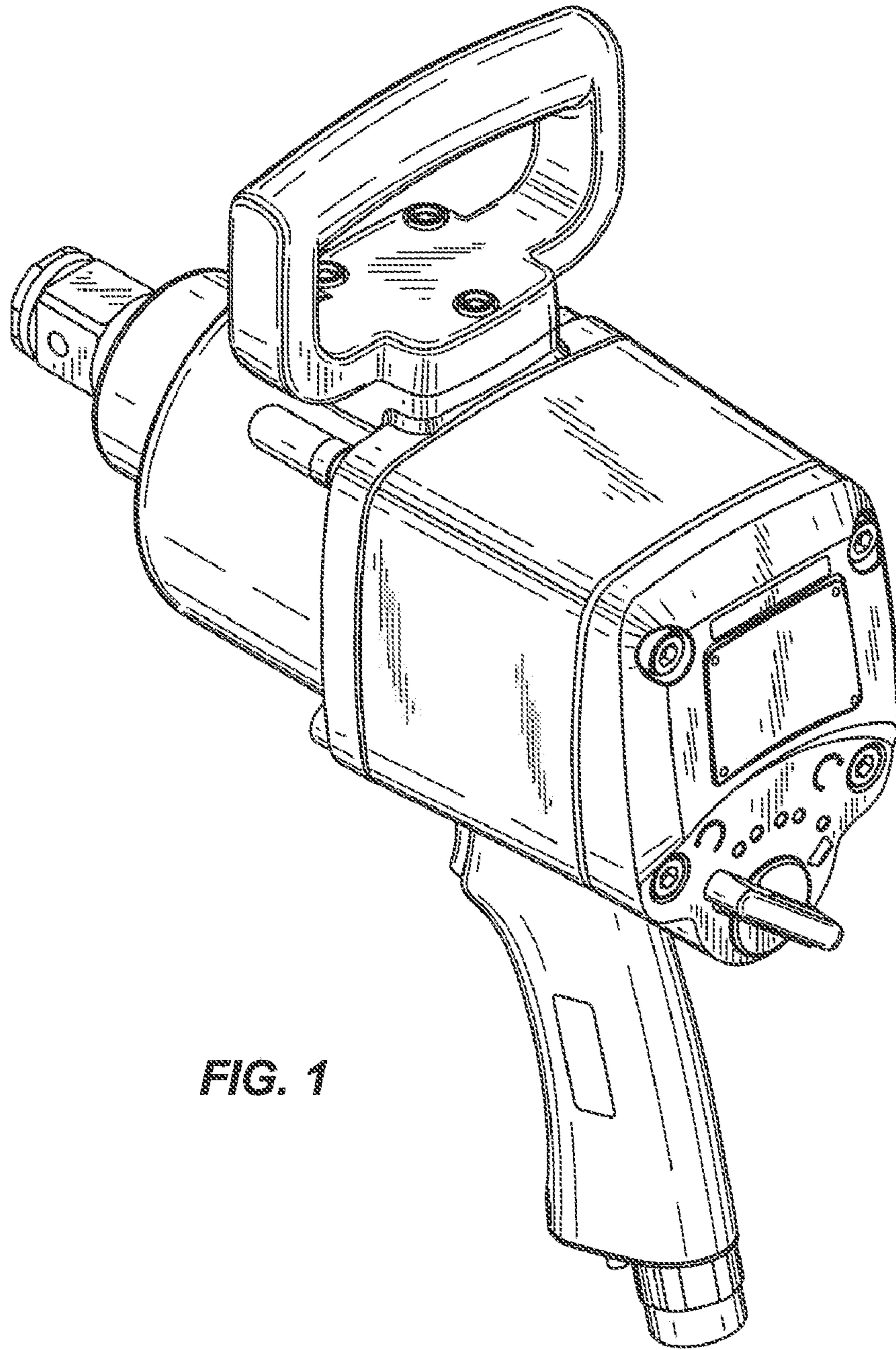
Page 2

---

## U.S. PATENT DOCUMENTS

6,883,619	B1 *	4/2005	Huang	.....	173/168	2002/0084086	A1 *	7/2002	Taga	.....	173/104
6,889,778	B2	5/2005	Colangelo, III et al.			2003/0037939	A1 *	2/2003	Taga	.....	173/168
D519,807	S *	5/2006	Chen	.....	D8/68	2004/0177980	A1	9/2004	Lucas		
D521,339	S *	5/2006	Chen	.....	D8/68	2005/0161243	A1	7/2005	Livingston et al.		
7,174,971	B1 *	2/2007	Chen	.....	173/169	2006/0090914	A1 *	5/2006	Lin et al.	.....	173/168
7,191,849	B2 *	3/2007	Chen	.....	173/168	2007/0289760	A1 *	12/2007	Sterling et al.	.....	173/104
7,311,155	B2 *	12/2007	Chang	.....	173/169	2008/0066937	A1 *	3/2008	Kobayashi	.....	173/104

\* cited by examiner



**FIG. 1**

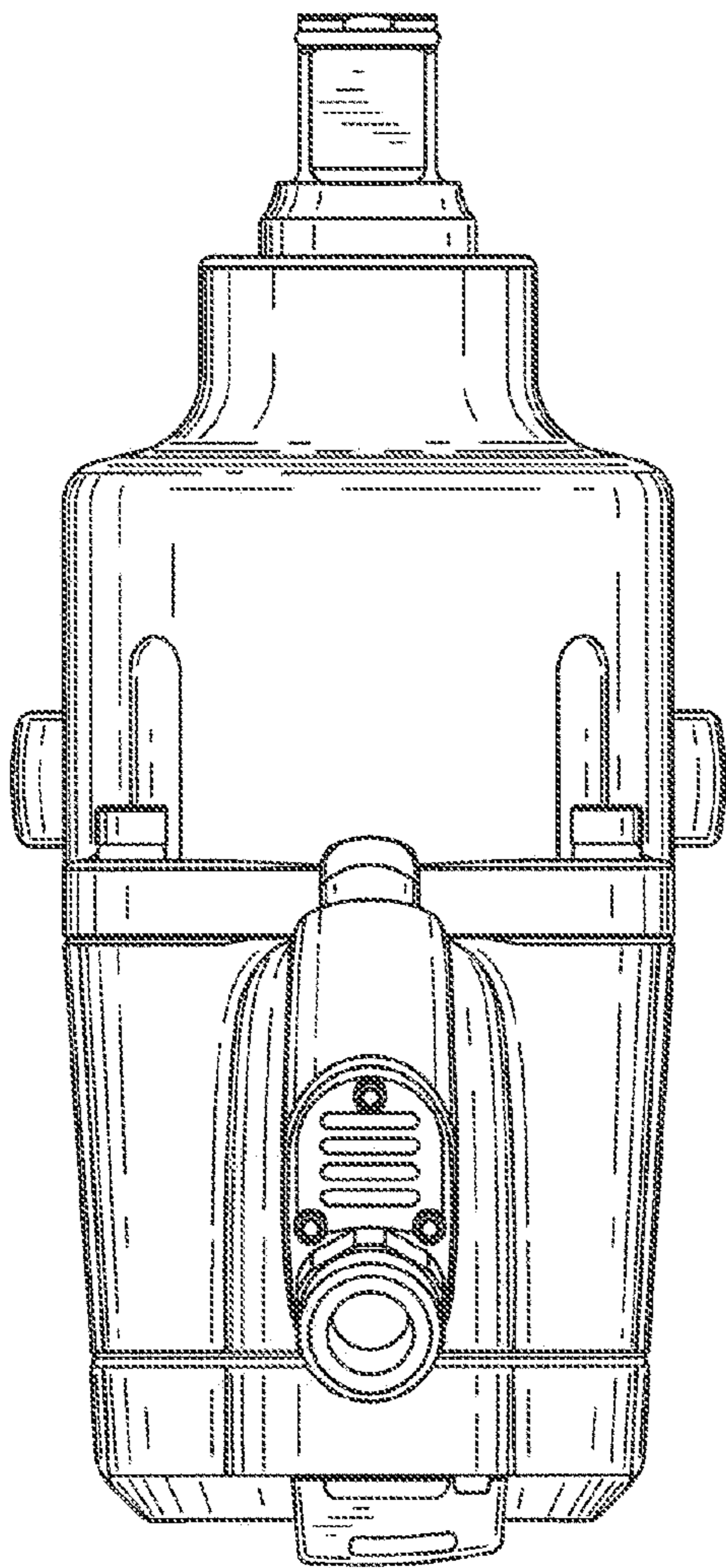


FIG. 3

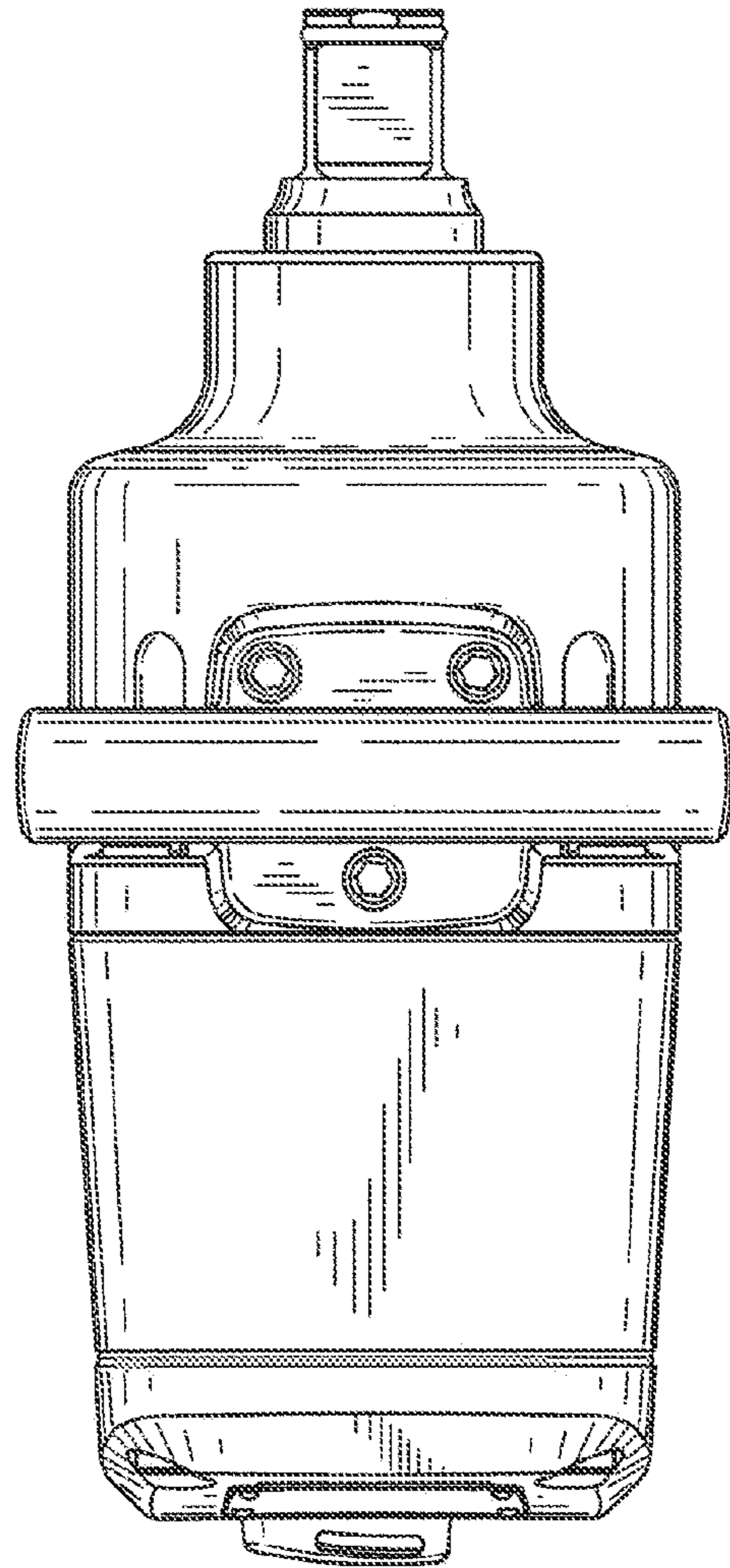
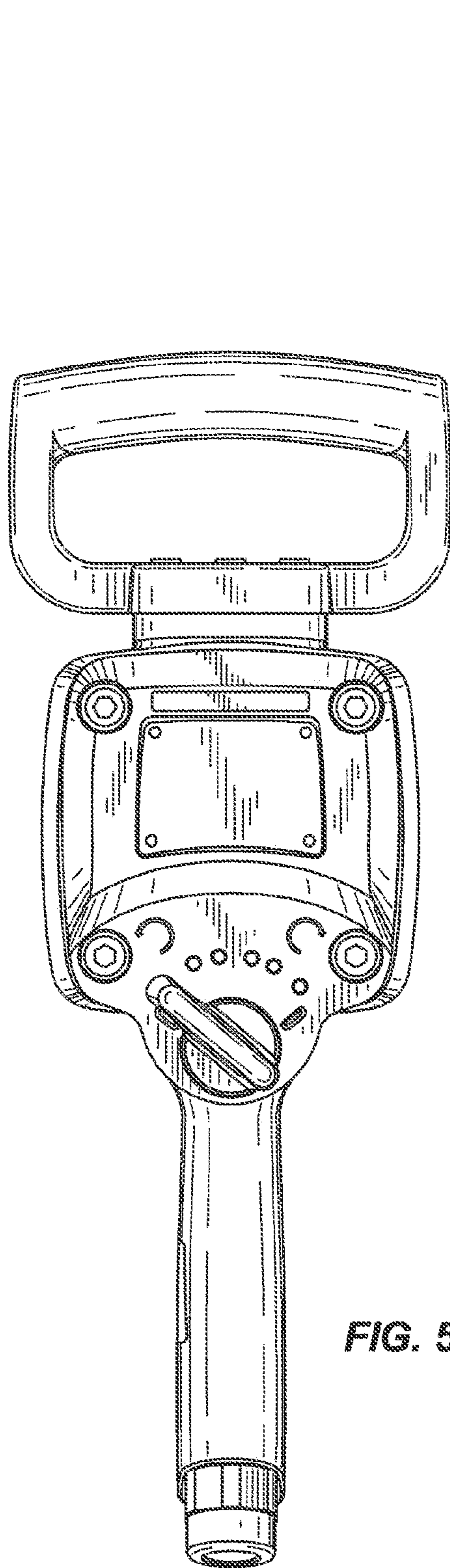
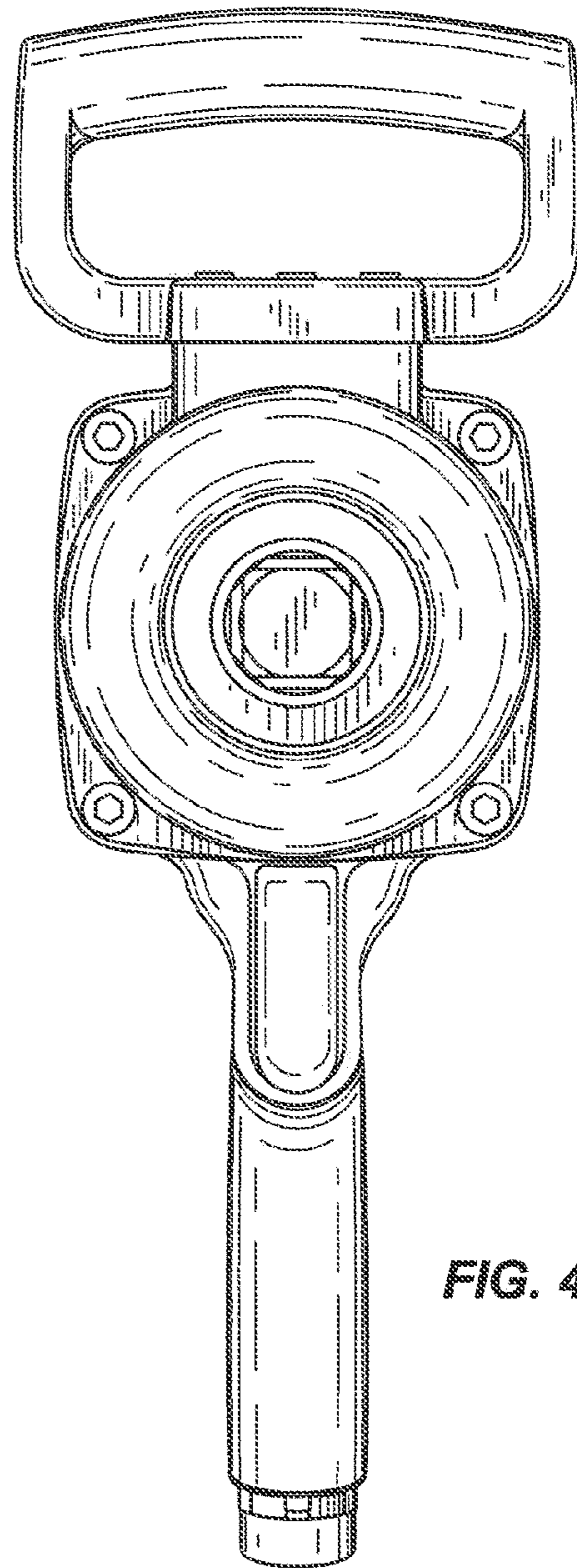


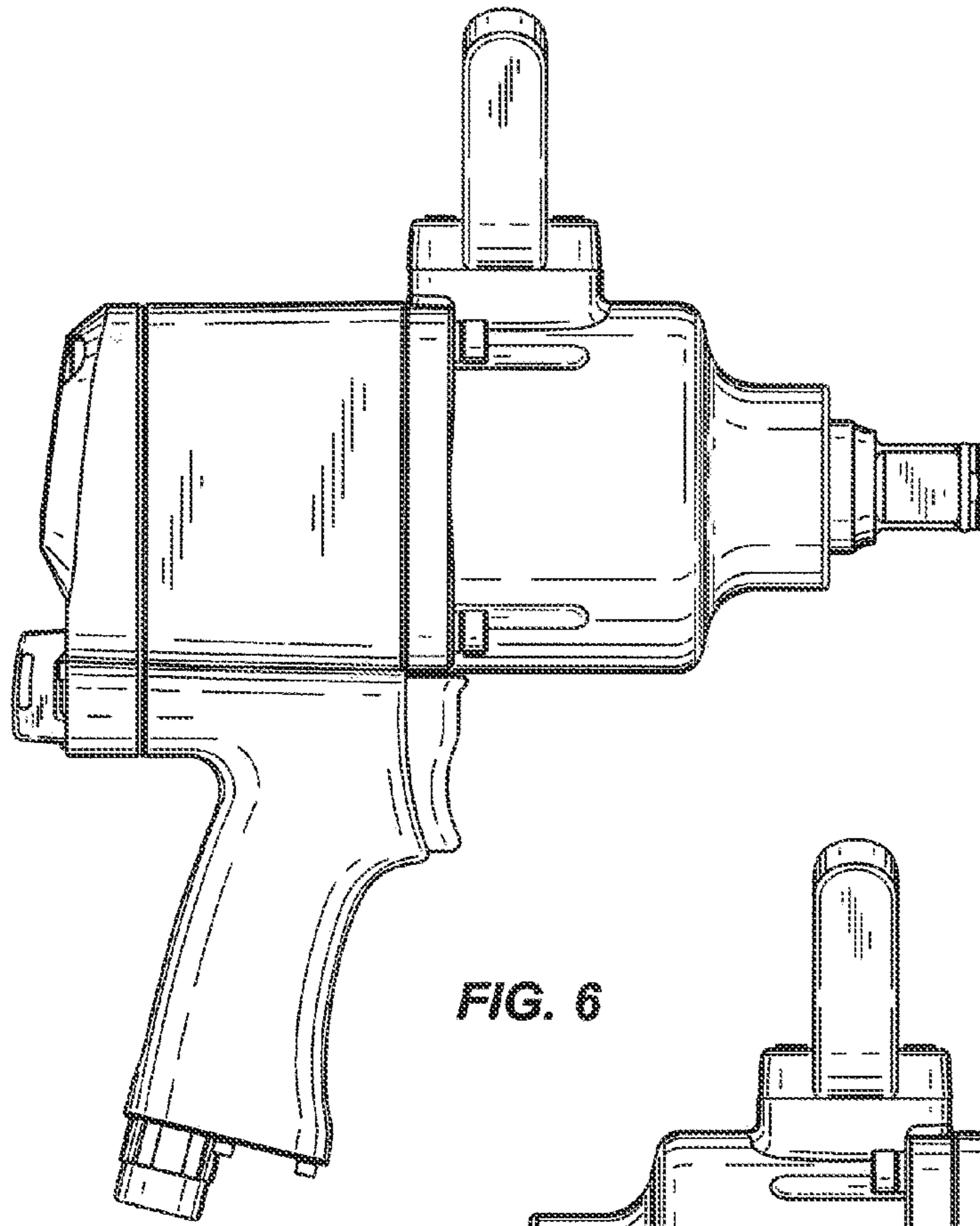
FIG. 2



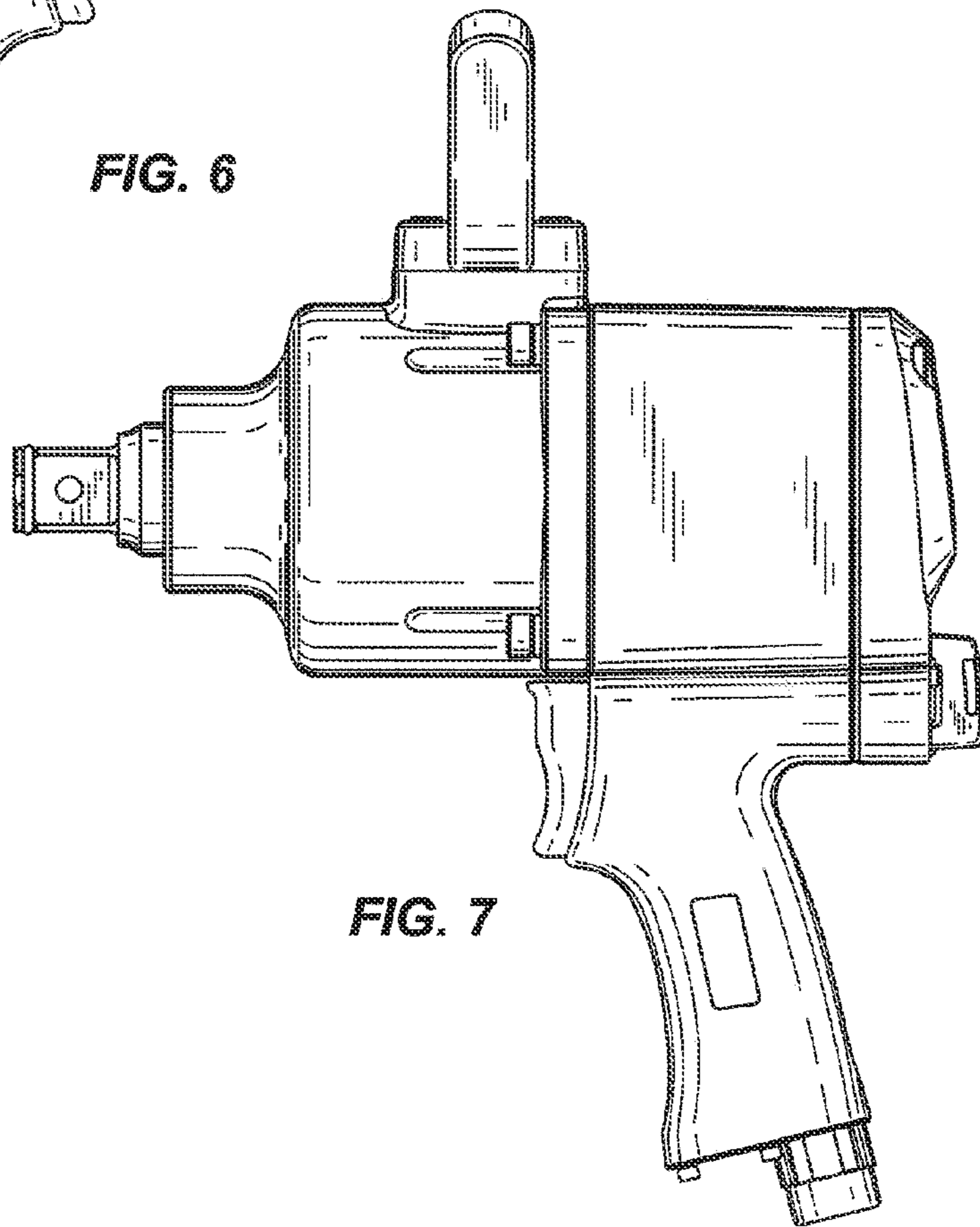
**FIG. 5**



**FIG. 4**



**FIG. 6**



**FIG. 7**