



US00D590680S

(12) **United States Design Patent**
Cole et al.

(10) **Patent No.:** **US D590,680 S**
(45) **Date of Patent:** **** Apr. 21, 2009**

- (54) **AIR TOOL**
- (75) Inventors: **David Flynn Cole**, Loveland, OH (US);
Nheeda Enriquez, Jersey City, NJ (US)
- (73) Assignee: **Ingersoll-Rand Company**, Montvale,
NJ (US)
- (**) Term: **14 Years**
- (21) Appl. No.: **29/258,177**
- (22) Filed: **Apr. 18, 2006**
- (51) **LOC (9) Cl.** **08-05**
- (52) **U.S. Cl.** **D8/68**
- (58) **Field of Classification Search** D8/14.1,
D8/61, 62, 63, 64, 65, 66, 67, 68, 69, 70;
81/57.11, 429, 454, 455, 456, 469, 489; 173/13,
173/104, 114, 168, 169, 170, 171, 178, 201,
173/211, 213, 217; 408/20, 124, 125, 234,
408/241 R; 451/358; 310/50; 227/8, 113,
227/114, 120, 130, 136, 142
See application file for complete search history.

(56) **References Cited**

U.S. PATENT DOCUMENTS

3,352,368	A *	11/1967	Maffey, Jr.	310/50
D339,726	S	9/1993	Bruno et al.	
5,293,747	A	3/1994	Geiger	
5,346,024	A	9/1994	Geiger et al.	
D388,678	S	1/1998	Bantly et al.	
D393,580	S	4/1998	Bantly et al.	
D403,564	S *	1/1999	Izumisawa	D8/68
5,906,244	A	5/1999	Thompson et al.	
D434,297	S	11/2000	Iritani et al.	
D434,958	S *	12/2000	Izumisawa	D8/68
D436,818	S *	1/2001	Izumisawa	D8/68
D437,760	S *	2/2001	Izumisawa	D8/68
D441,628	S *	5/2001	Bass et al.	D8/68
6,338,389	B1 *	1/2002	Chang	173/170
D454,475	S *	3/2002	Taga	D8/61
D458,824	S *	6/2002	Chen	D8/68
D461,110	S *	8/2002	Izumisawa	D8/68

D465,982	S *	11/2002	Taga	D8/68
6,491,111	B1	12/2002	Livingston et al.	
D469,673	S	2/2003	Sliker et al.	
D472,782	S *	4/2003	Pusateri et al.	D8/68
D476,210	S *	6/2003	Chen	D8/68
D477,512	S *	7/2003	Liu et al.	D8/68
6,782,956	B1	8/2004	Seith et al.	
D497,529	S	10/2004	Price	
D497,787	S *	11/2004	Liao	D8/68
6,863,134	B2	3/2005	Seith et al.	
6,883,619	B1 *	4/2005	Huang	173/168
6,889,778	B2	5/2005	Colangelo, III et al.	
D519,807	S *	5/2006	Chen	D8/68
D521,339	S *	5/2006	Chen	D8/68
7,174,971	B1 *	2/2007	Chen	173/169
7,191,849	B2 *	3/2007	Chen	173/168
7,311,155	B2 *	12/2007	Chang	173/169

(Continued)

OTHER PUBLICATIONS

Photographs of pneumatic tools publicly available prior to Apr. 18, 2006.

Primary Examiner—T. Chase Nelson

Assistant Examiner—Karen Acker

(74) *Attorney, Agent, or Firm*—Michael Best & Friedrich LLP

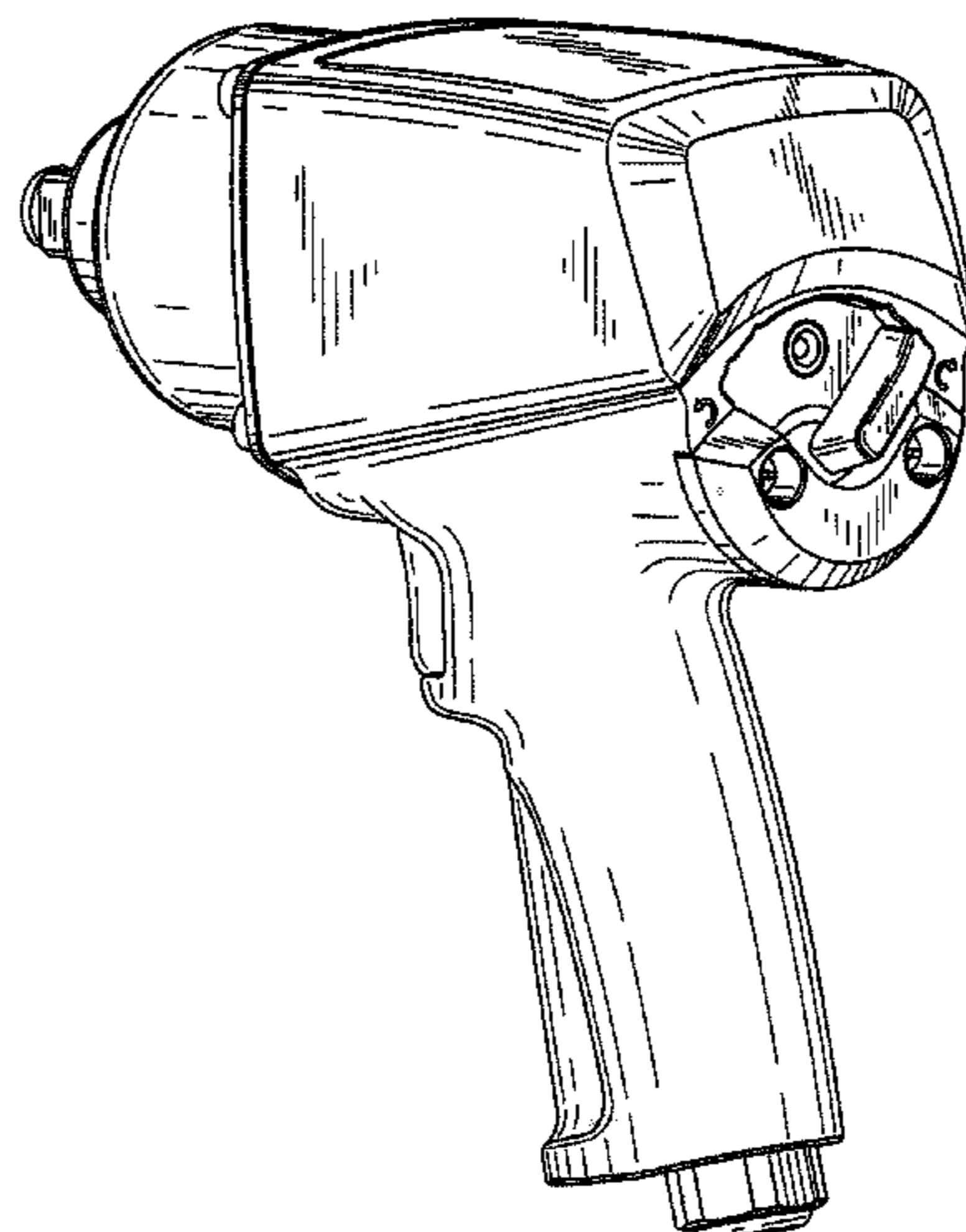
(57) **CLAIM**

The ornamental design for the air tool, as shown and described.

DESCRIPTION

FIG. 1 is a perspective view of an air tool.
 FIG. 2 is a top view of the air tool shown in FIG. 1.
 FIG. 3 is a bottom view of the air tool shown in FIG. 1.
 FIG. 4 is a front view of the air tool shown in FIG. 1.
 FIG. 5 is a rear view of the air tool shown in FIG. 1.
 FIG. 6 is a right side view of the air tool shown in FIG. 1; and,
 FIG. 7 is a left side view of the air tool shown in FIG. 1.

1 Claim, 4 Drawing Sheets



US D590,680 S

Page 2

U.S. PATENT DOCUMENTS

2002/0084086	A1*	7/2002	Taga	173/104	2005/0161243	A1	7/2005	Livingston et al.	
2003/0037939	A1*	2/2003	Taga	173/168	2006/0090914	A1*	5/2006	Lin et al.	173/168
2004/0177980	A1	9/2004	Lucas		2008/0066937	A1*	3/2008	Kobayashi	173/104

* cited by examiner

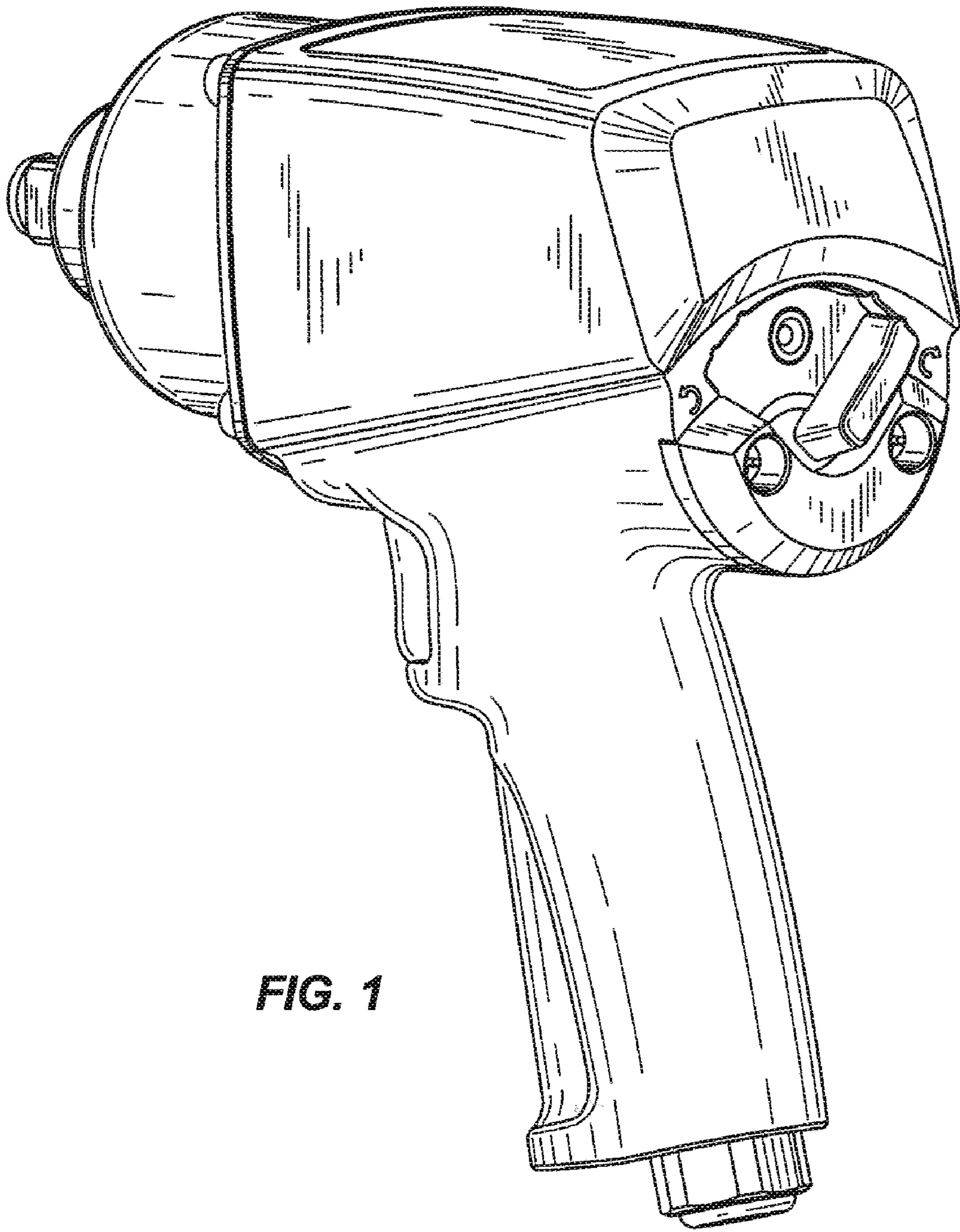


FIG. 1

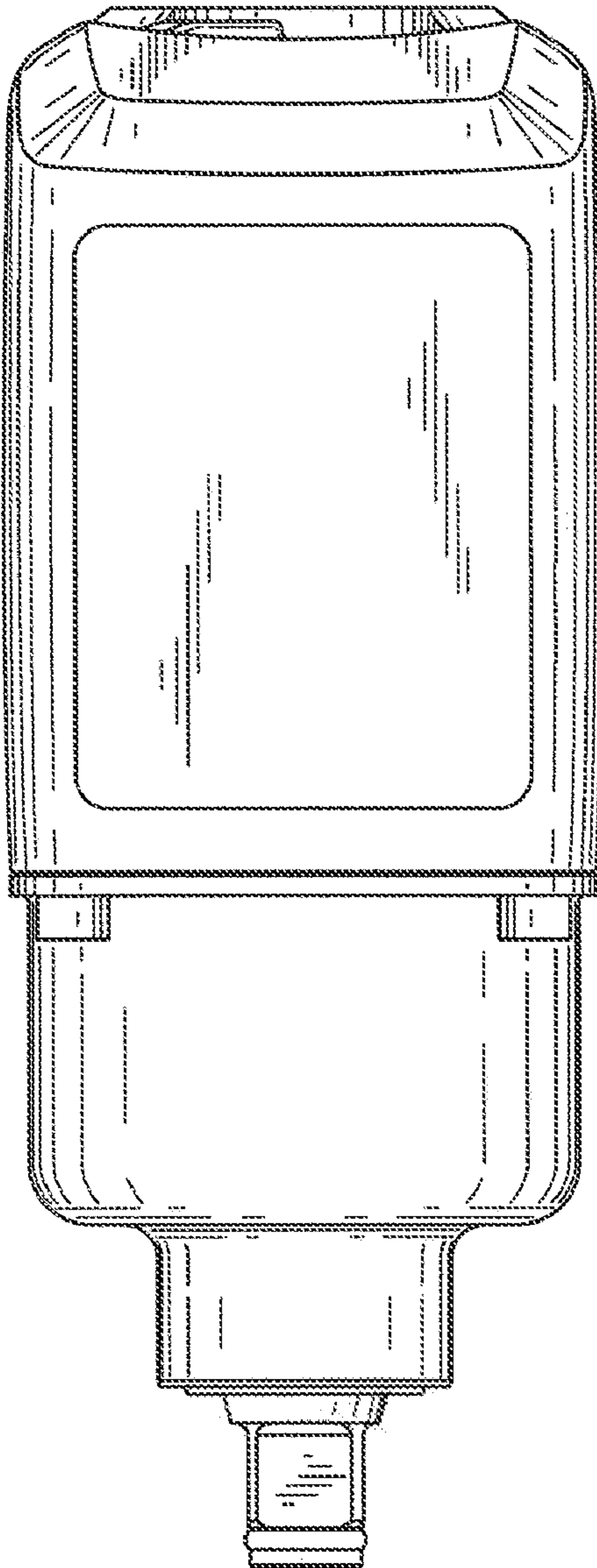


FIG. 2

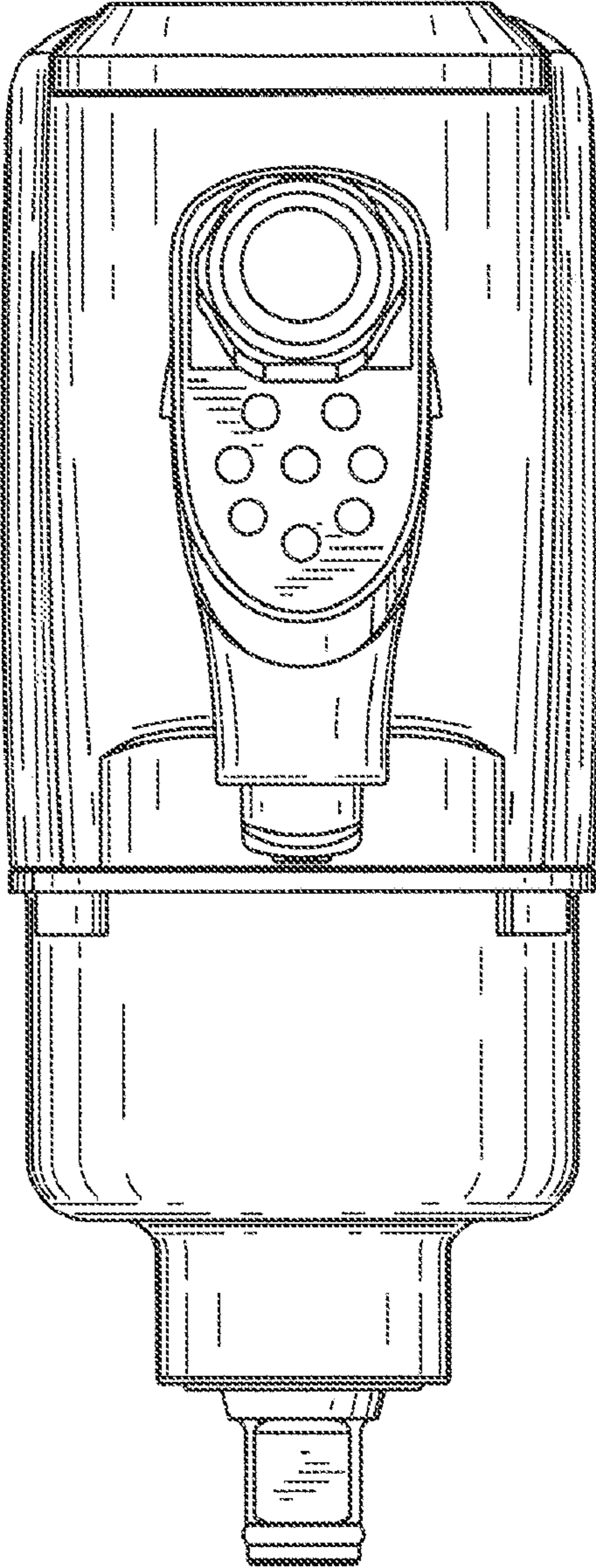


FIG. 3

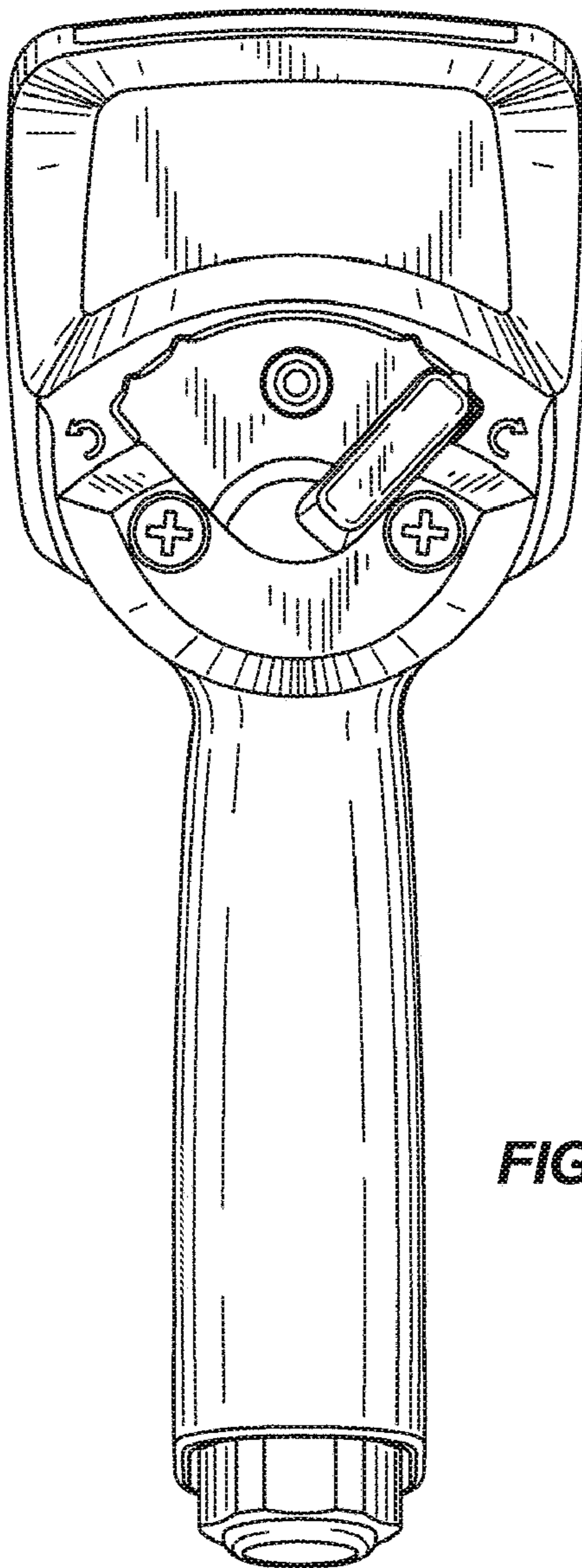


FIG. 5

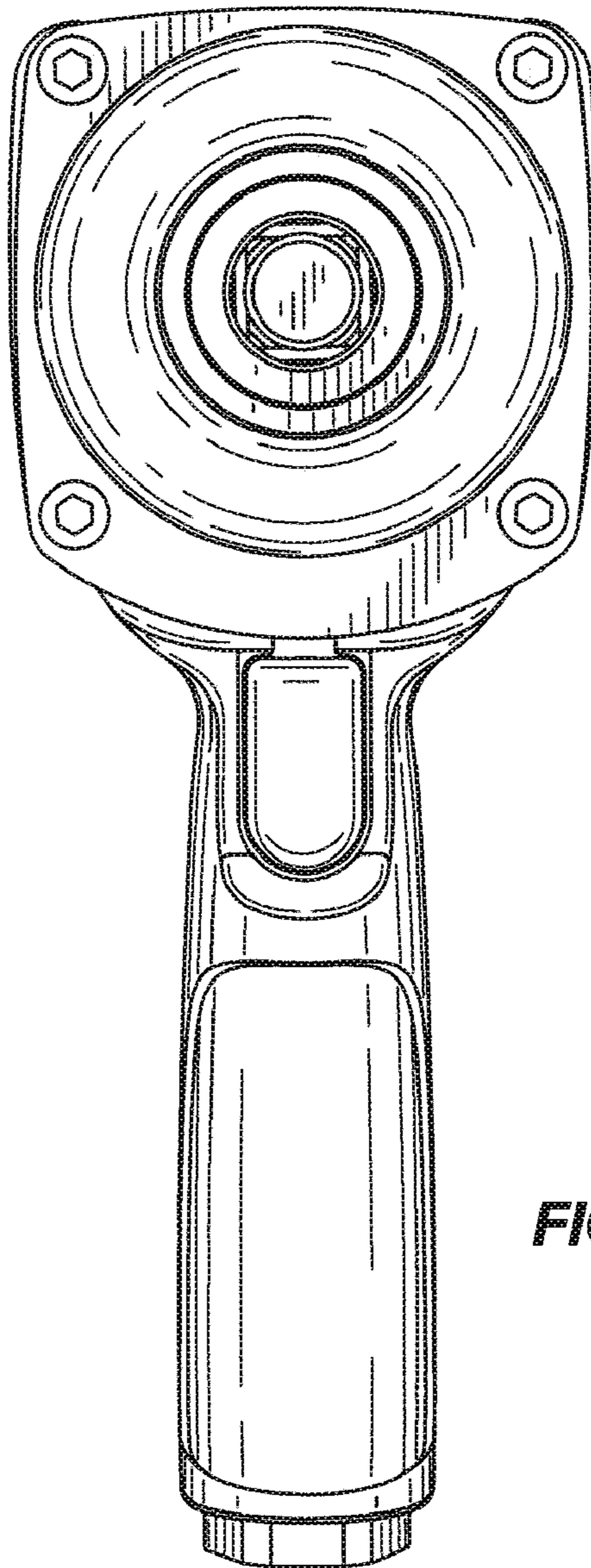


FIG. 4

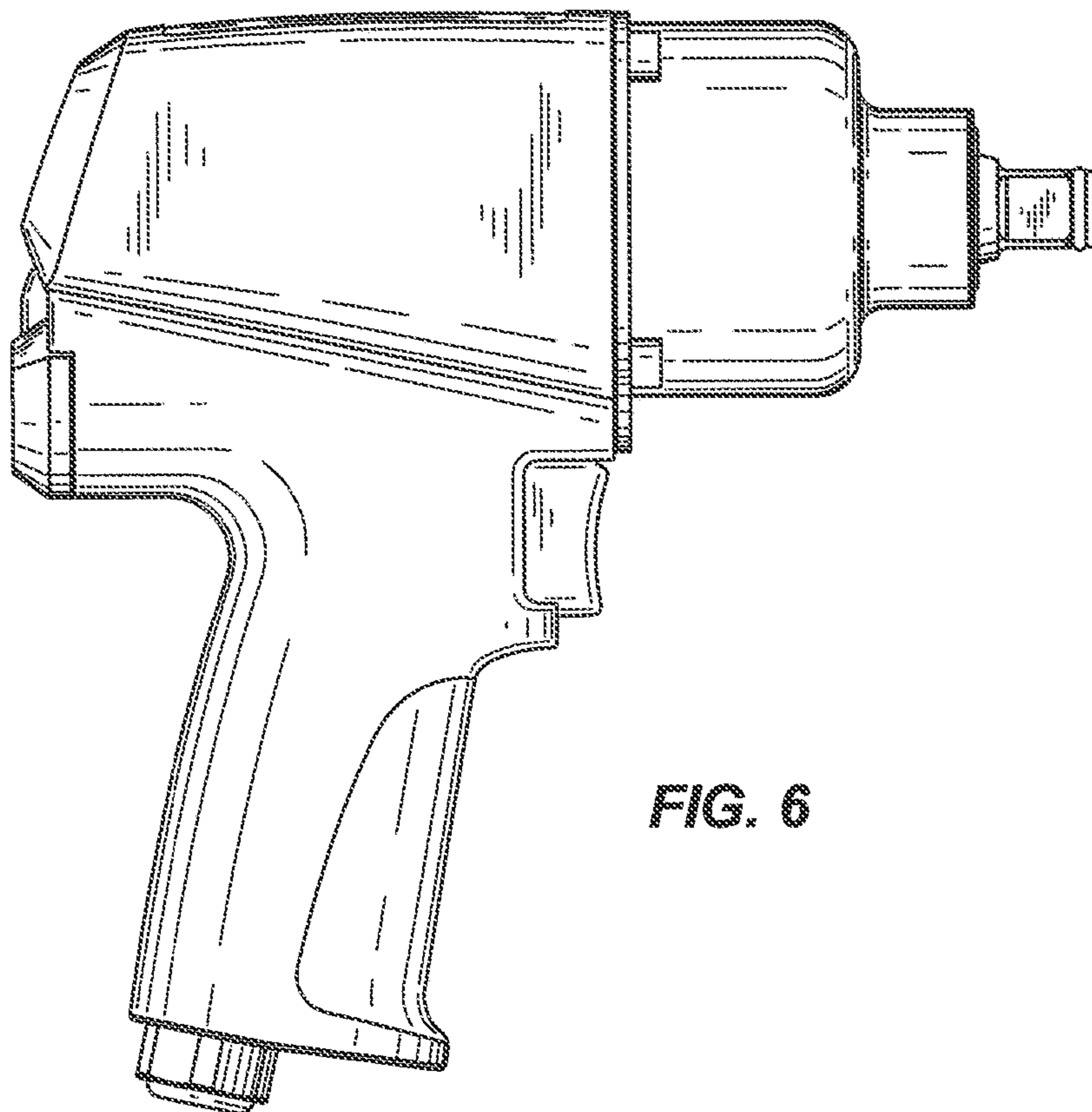


FIG. 6

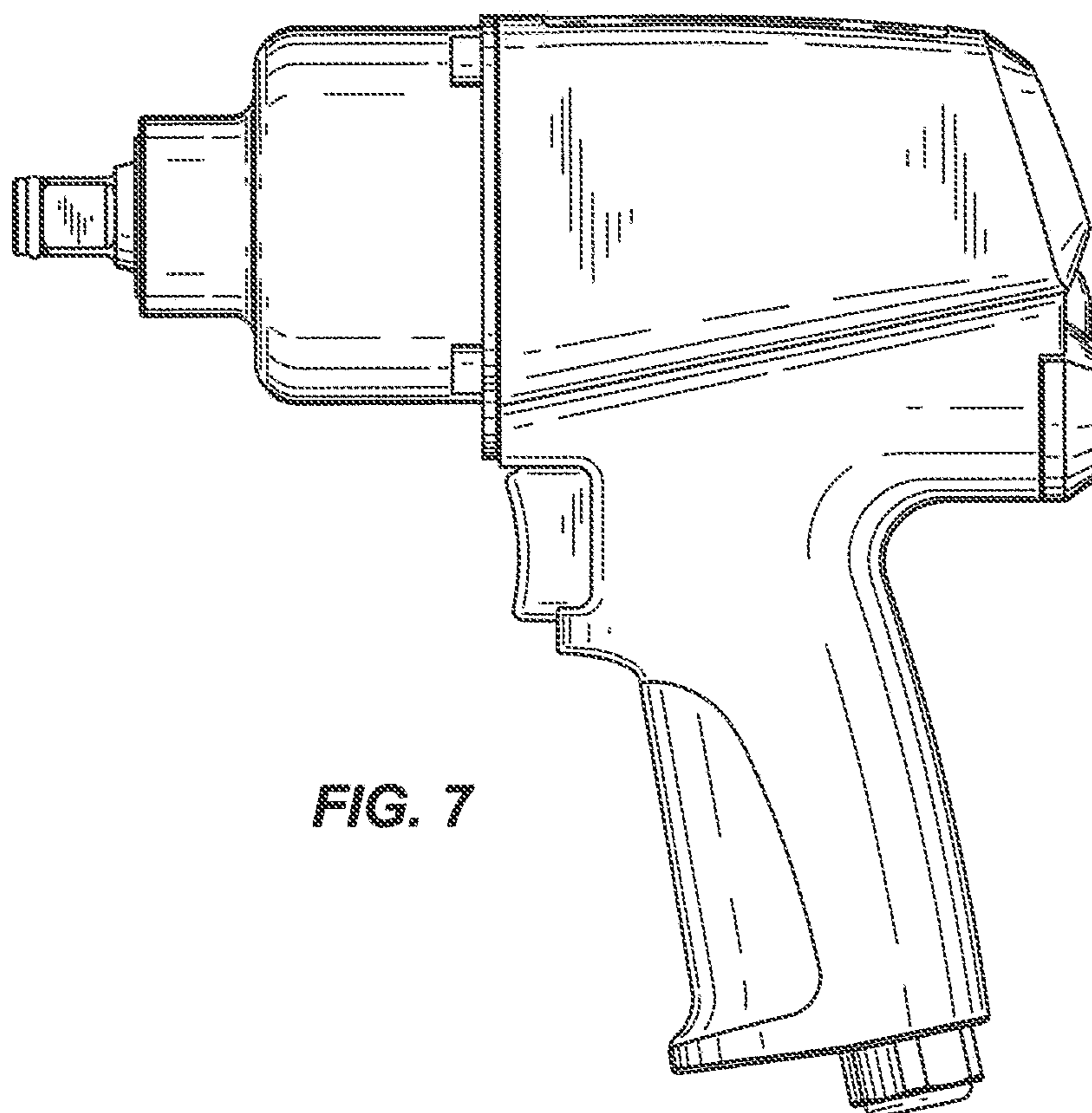


FIG. 7