



US00D590679S

(12) **United States Design Patent**
Enriquez et al.

(10) **Patent No.:** **US D590,679 S**
(45) **Date of Patent:** **** Apr. 21, 2009**

(54) **AIR IMPACT TOOL**

(75) Inventors: **Nheeda Enriquez**, Charlotte, NC (US);
Scott D. Price, Lebanon, NJ (US)

(73) Assignee: **Ingersoll-Rand Company**, Montvale,
NJ (US)

(**) Term: **14 Years**

(21) Appl. No.: **29/327,970**

(22) Filed: **Nov. 17, 2008**

(51) **LOC (9) Cl.** **08-01**

(52) **U.S. Cl.** **D8/61**

(58) **Field of Classification Search** D8/61,
D8/62, 67, 69; 81/57, 57.11, 57.14, 57.26,
81/429, 464, 469; 173/2, 170, 176, 181
See application file for complete search history.

(56) **References Cited**

U.S. PATENT DOCUMENTS

D332,733 S *	1/1993	Staubitz et al.	D8/61
D347,372 S *	5/1994	Ghode et al.	D8/61
D432,379 S *	10/2000	Sun	D8/70
D434,957 S *	12/2000	Heinrichs et al.	D8/61
D456,683 S *	5/2002	Chen	D8/61
D468,605 S *	1/2003	Morgan	D8/61
6,644,419 B1 *	11/2003	Chen	173/169
D484,379 S *	12/2003	Chen	D8/61
D484,380 S *	12/2003	Chen	D8/61
D525,498 S *	7/2006	Chen	D8/61

D525,500 S *	7/2006	Chen	D8/61
D534,777 S *	1/2007	Miller	D8/61
D540,637 S *	4/2007	Staples	D8/61
D568,131 S *	5/2008	Huguet et al.	D8/61
D569,205 S *	5/2008	Lai	D8/61
D583,209 S *	12/2008	Shyeh	D8/61

* cited by examiner

Primary Examiner—Cathron C Brooks

Assistant Examiner—Austin Murphy

(74) *Attorney, Agent, or Firm*—Michael Best & Friedrich
LLP

(57) **CLAIM**

We claim the ornamental design for an air impact tool, as shown and described.

DESCRIPTION

FIG. 1 is a perspective view of an air impact tool.

FIG. 2 is a left side view of the tool of FIG. 1.

FIG. 3 is a right side view of the tool of FIG. 1.

FIG. 4 is a top view of the tool of FIG. 1.

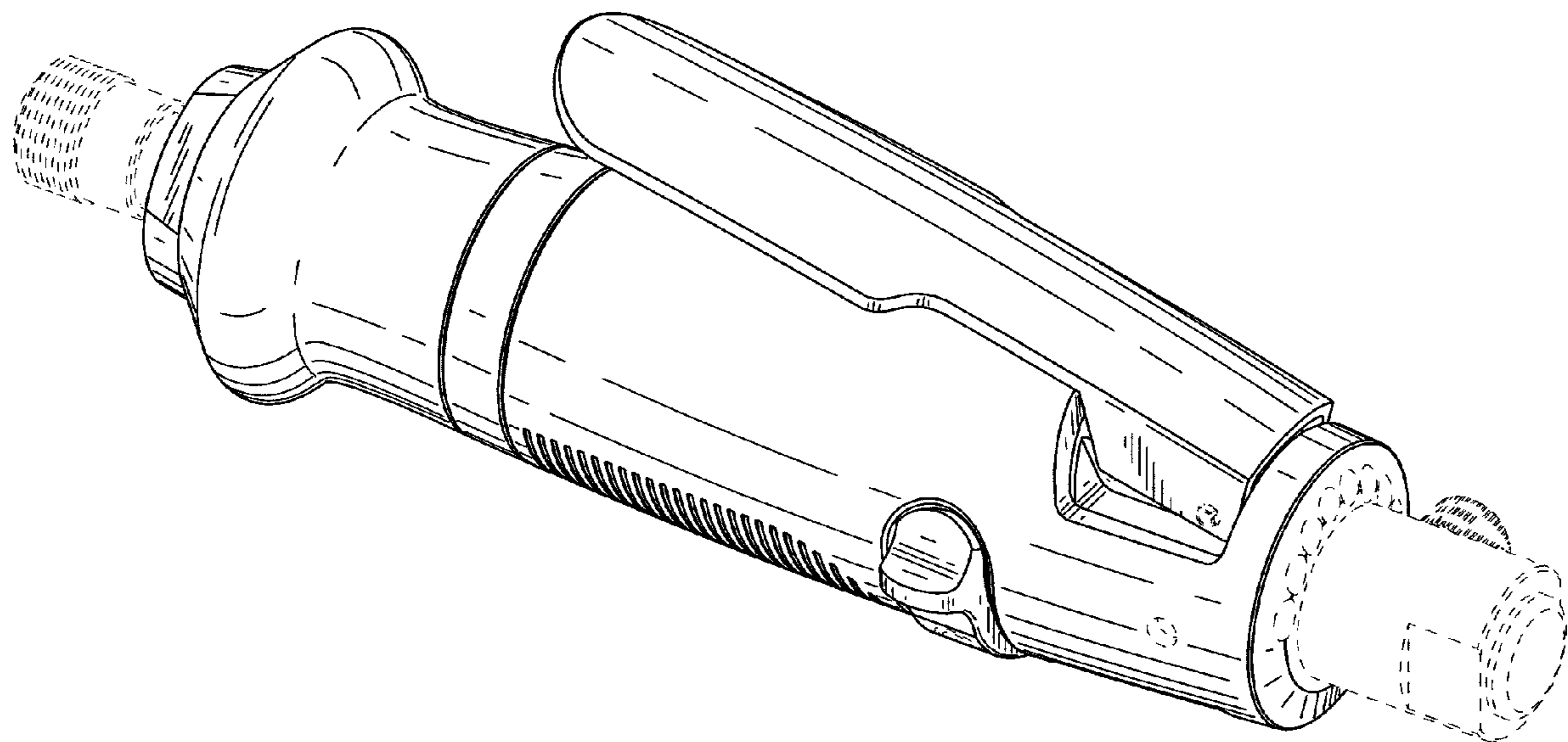
FIG. 5 is a bottom view of the tool of FIG. 1.

FIG. 6 is a front end view of the tool of FIG. 1; and,

FIG. 7 is a rear end view of the tool of FIG. 1.

The broken line showing of the environment is for illustrative purposes only and forms no part of the claimed design.

1 Claim, 4 Drawing Sheets



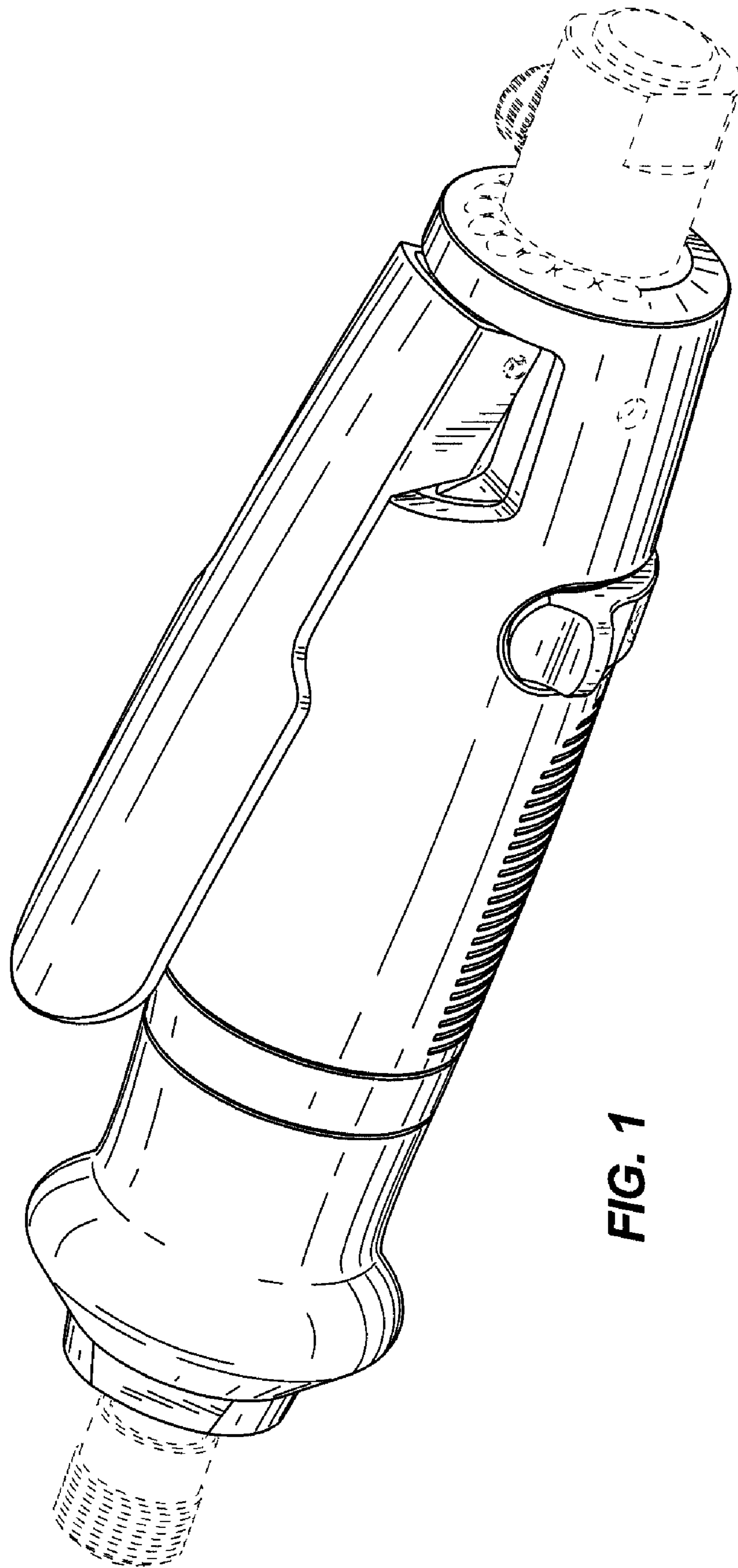


FIG. 1

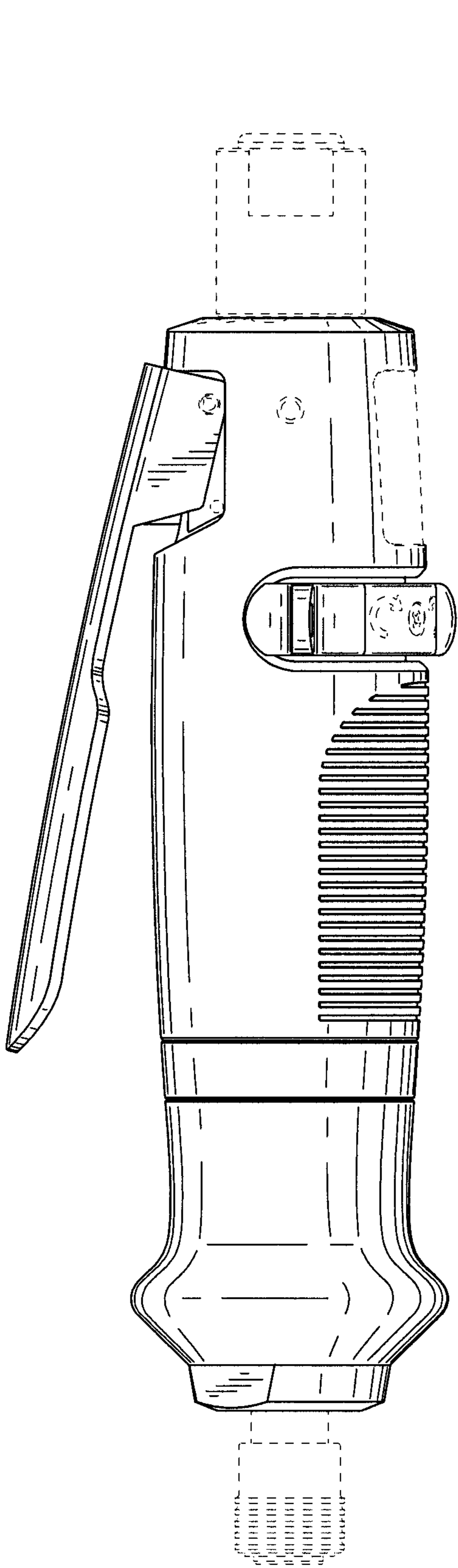


FIG. 2

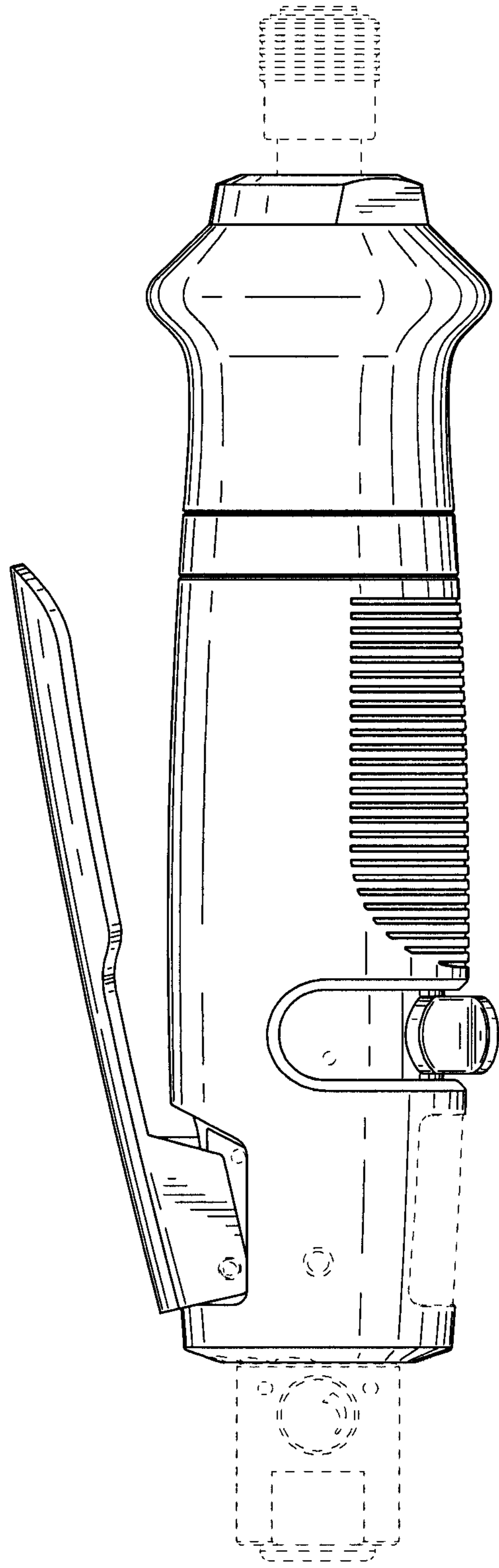


FIG. 3

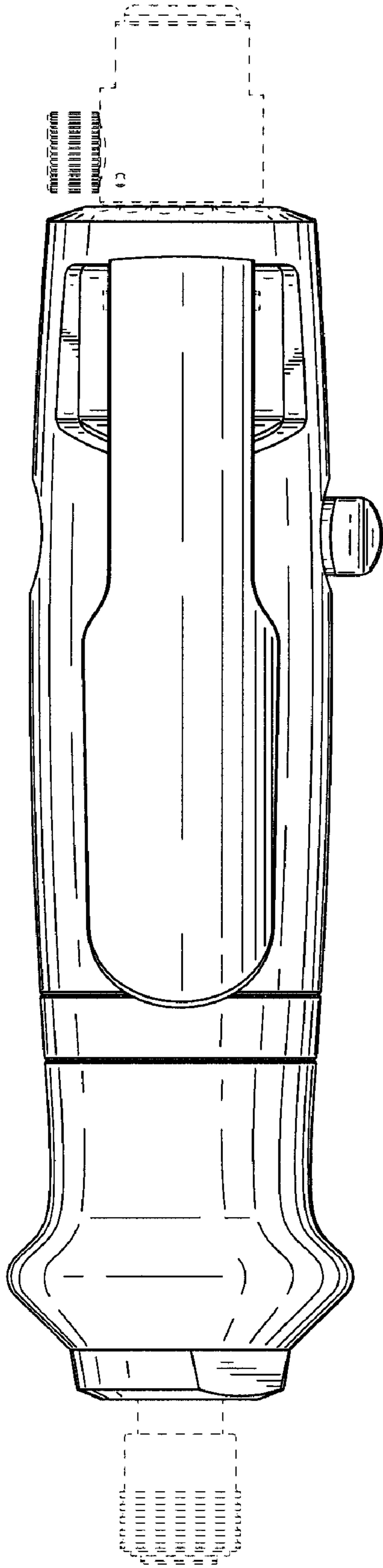


FIG. 4

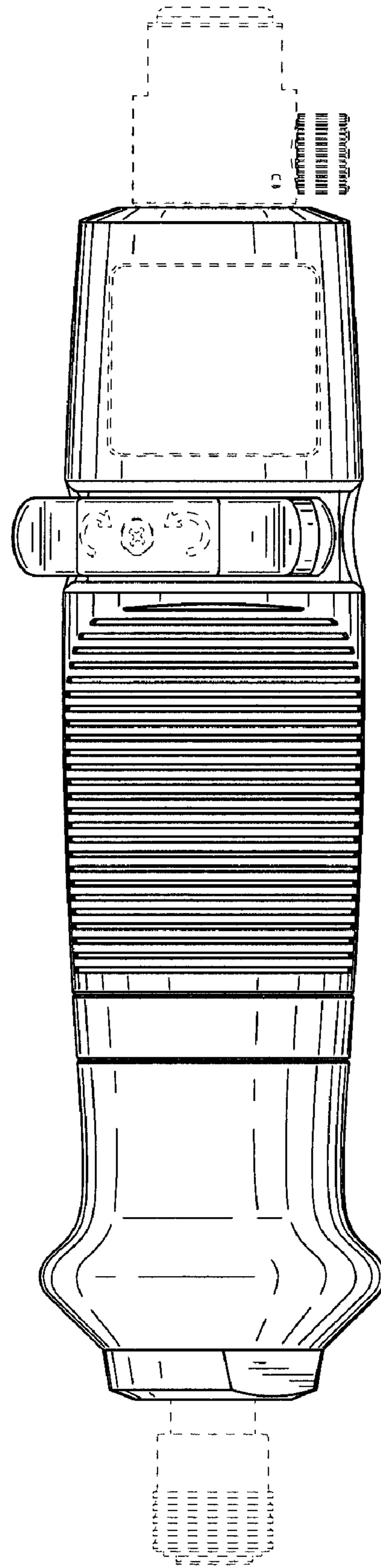


FIG. 5

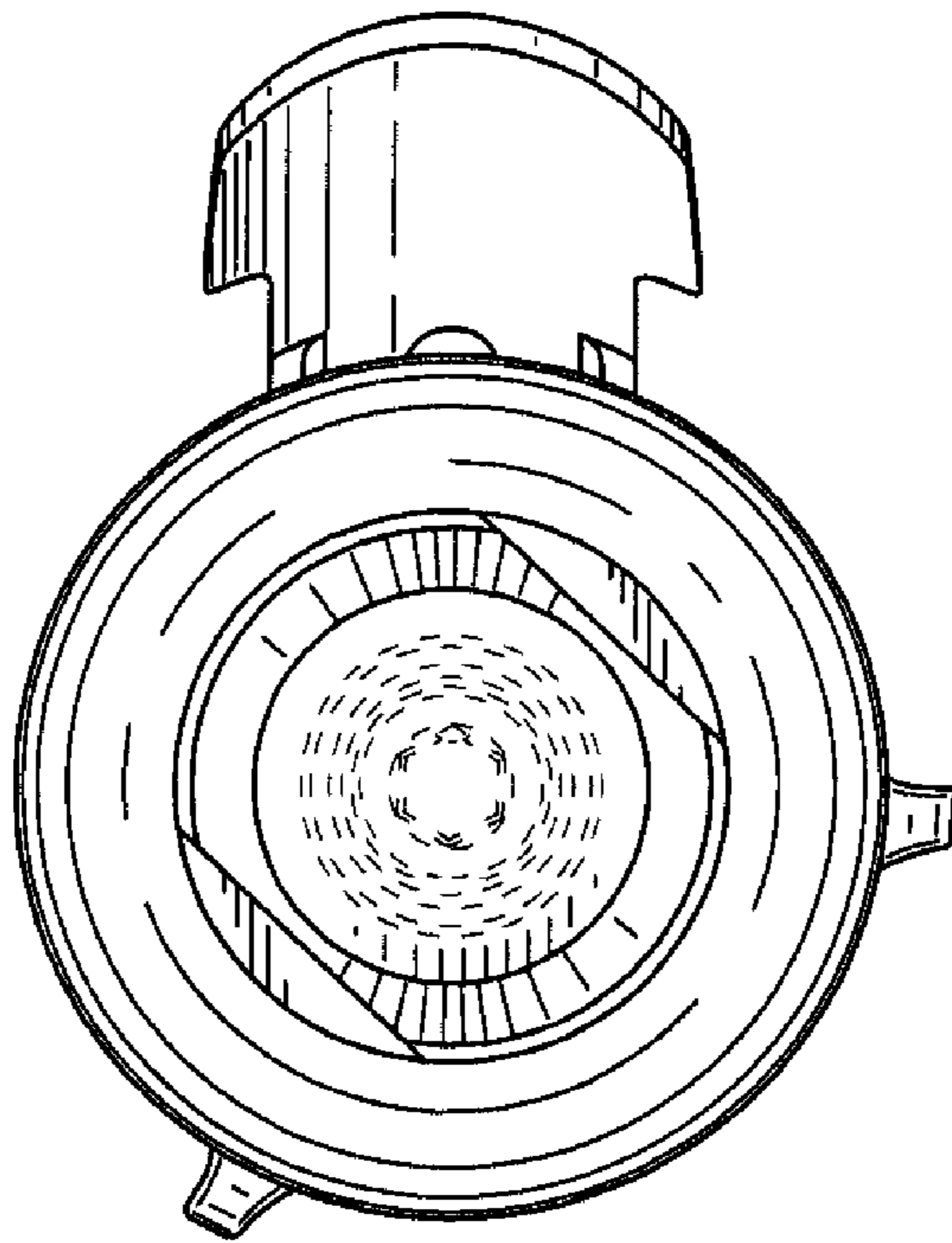


FIG. 6

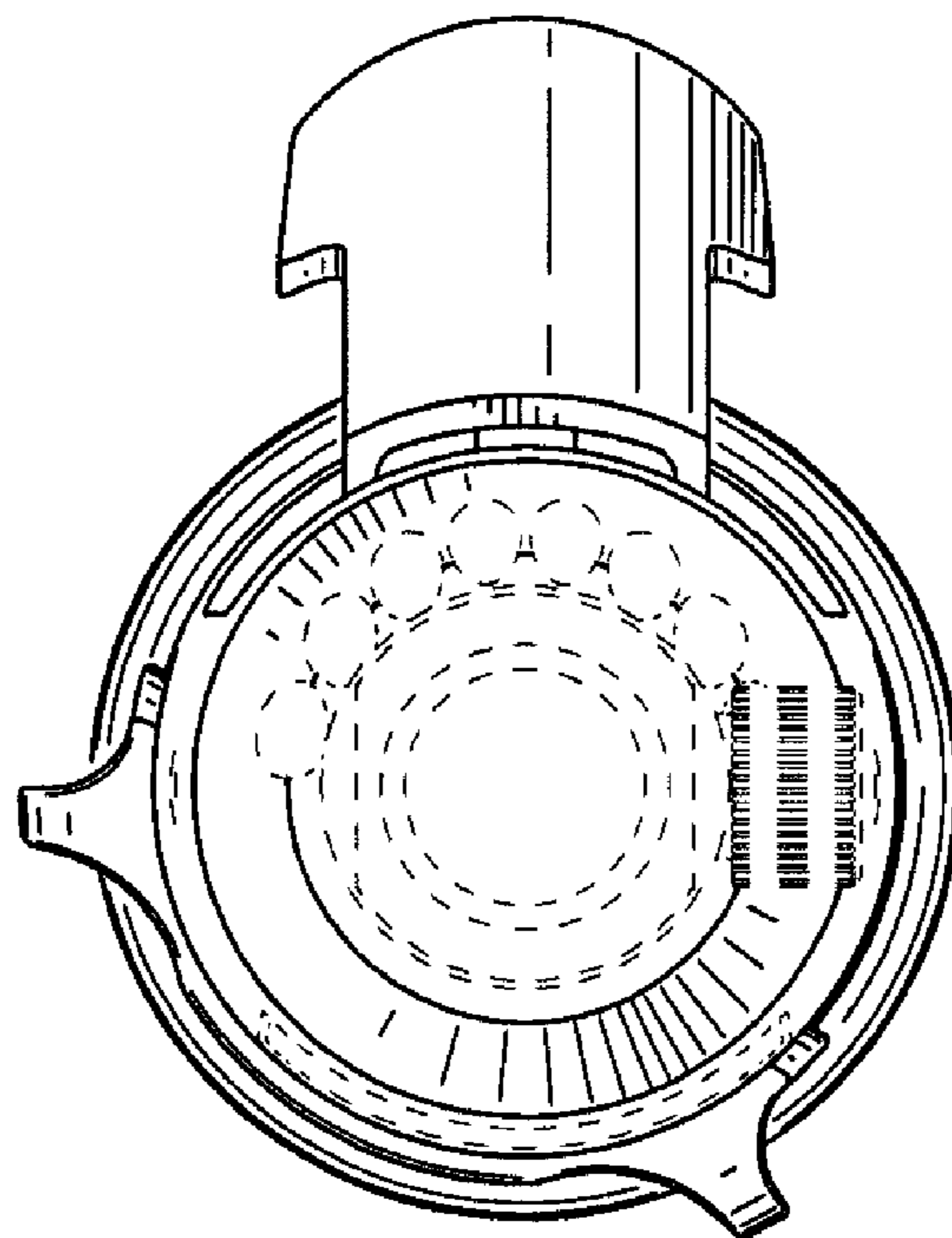


FIG. 7