



US00D590674S

(12) **United States Design Patent**
Belanger

(10) **Patent No.:** **US D590,674 S**

(45) **Date of Patent:** **** Apr. 21, 2009**

(54) **BATTERY POWERED GLUE GUN**

(75) **Inventor:** **Richard A. Belanger**, Kensington, NH (US)

(73) **Assignee:** **Adhesive Technologies, Inc.**, Hampton, NH (US)

(**) **Term:** **14 Years**

(21) **Appl. No.:** **29/290,990**

(22) **Filed:** **Feb. 6, 2008**

(51) **LOC (9) Cl.** **08-05**

(52) **U.S. Cl.** **D8/30**

(58) **Field of Classification Search** D8/14.1,
D8/29.1, 30; 222/146.1, 146.5; 219/227-230;
239/390, 397

See application file for complete search history.

(56) **References Cited**

U.S. PATENT DOCUMENTS

- D297,299 S * 8/1988 Krause D8/30
- D313,736 S * 1/1991 Boliver et al. D8/14.1
- D316,019 S * 4/1991 Belanger D8/30
- D398,204 S * 9/1998 Lee D8/14.1
- D402,518 S * 12/1998 Lee D8/30
- D404,622 S * 1/1999 Singleton D8/29.1
- D406,992 S * 3/1999 Cheng D8/30

- D412,432 S * 8/1999 Bokros D8/30
- D474,949 S * 5/2003 Schaffeld et al. D8/14.1
- D505,845 S * 6/2005 Lin et al. D8/14.1
- D510,243 S * 10/2005 Lee D8/30
- D535,167 S * 1/2007 Monfeli et al. D8/30
- D576,458 S * 9/2008 Arns D8/30

* cited by examiner

Primary Examiner—Philip S Hyder

(74) *Attorney, Agent, or Firm*—Clark & Brody

(57) **CLAIM**

The ornamental design for a battery powered glue gun, as shown and described.

DESCRIPTION

FIG. 1 is a front perspective view of a battery powered glue gun showing our new design.

FIG. 2 is a left side elevation view thereof. The right side is a mirror image of FIG. 2.

FIG. 3 is a top plan view thereof.

FIG. 4 is a bottom plan view thereof.

FIG. 5 is a front elevation view thereof; and,

FIG. 6 is a rear elevation view thereof.

The broken lines show portions of the article that form no part of the claimed design.

1 Claim, 4 Drawing Sheets

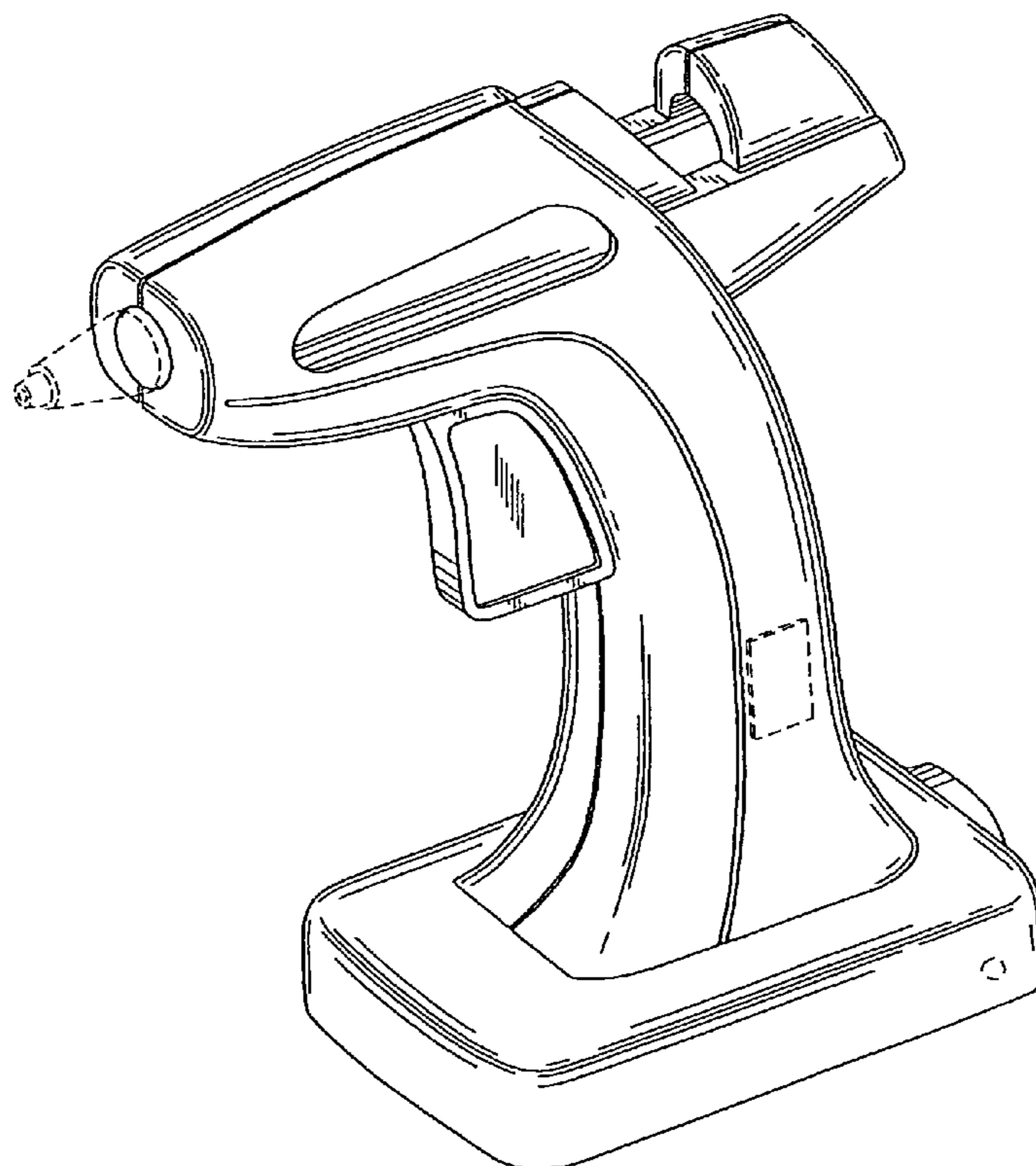


FIG. 1

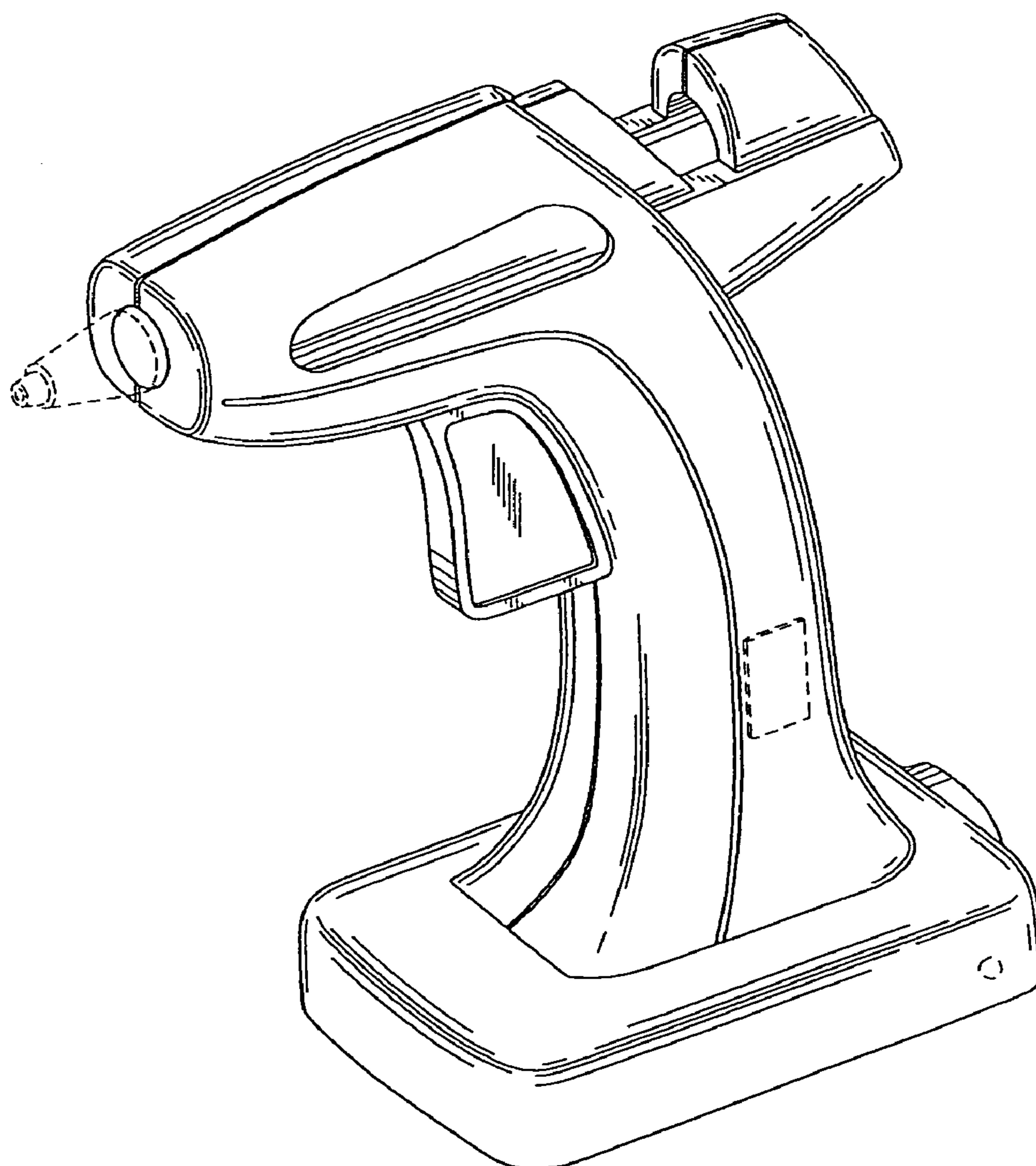


FIG. 2

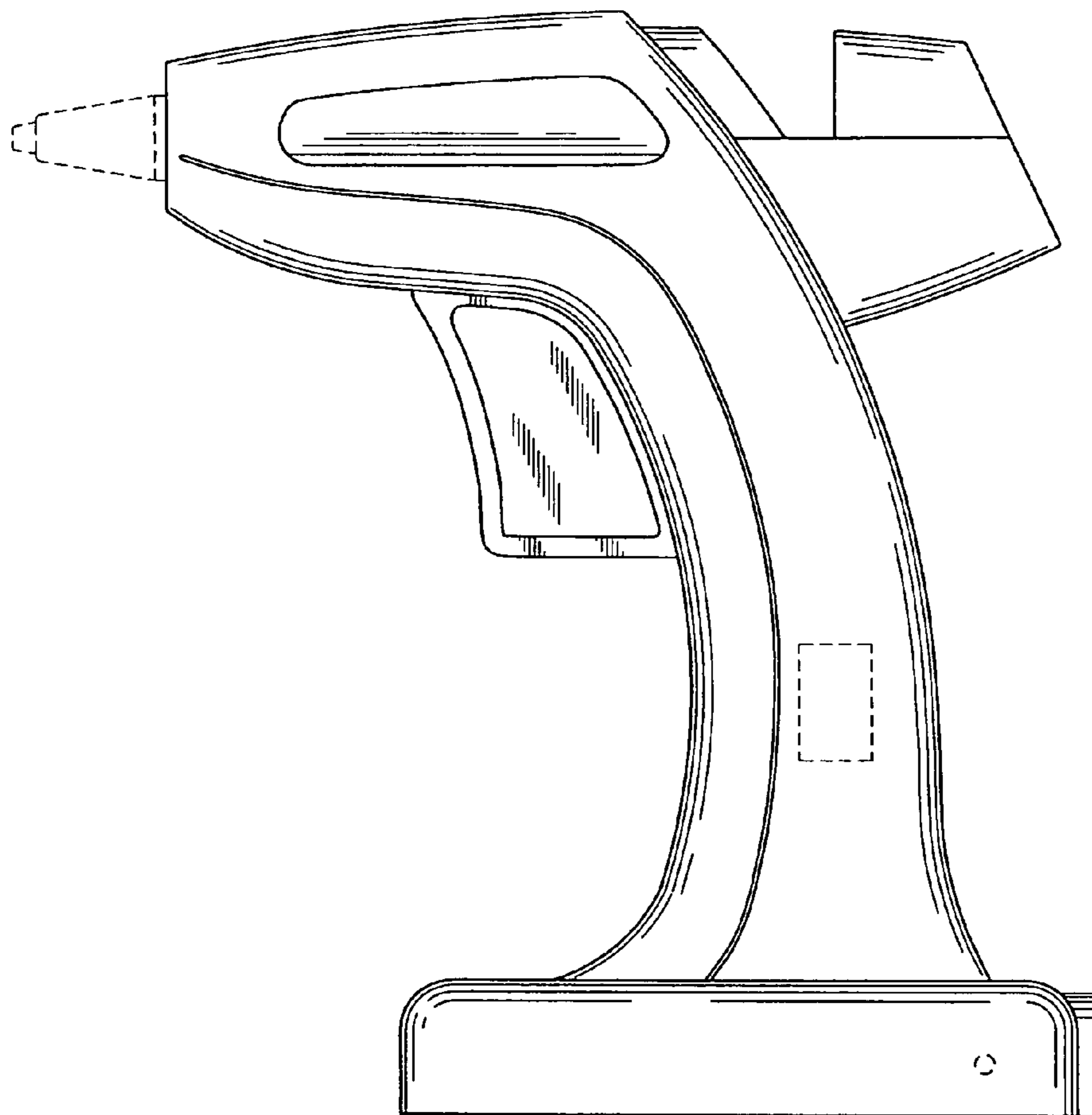


FIG. 3

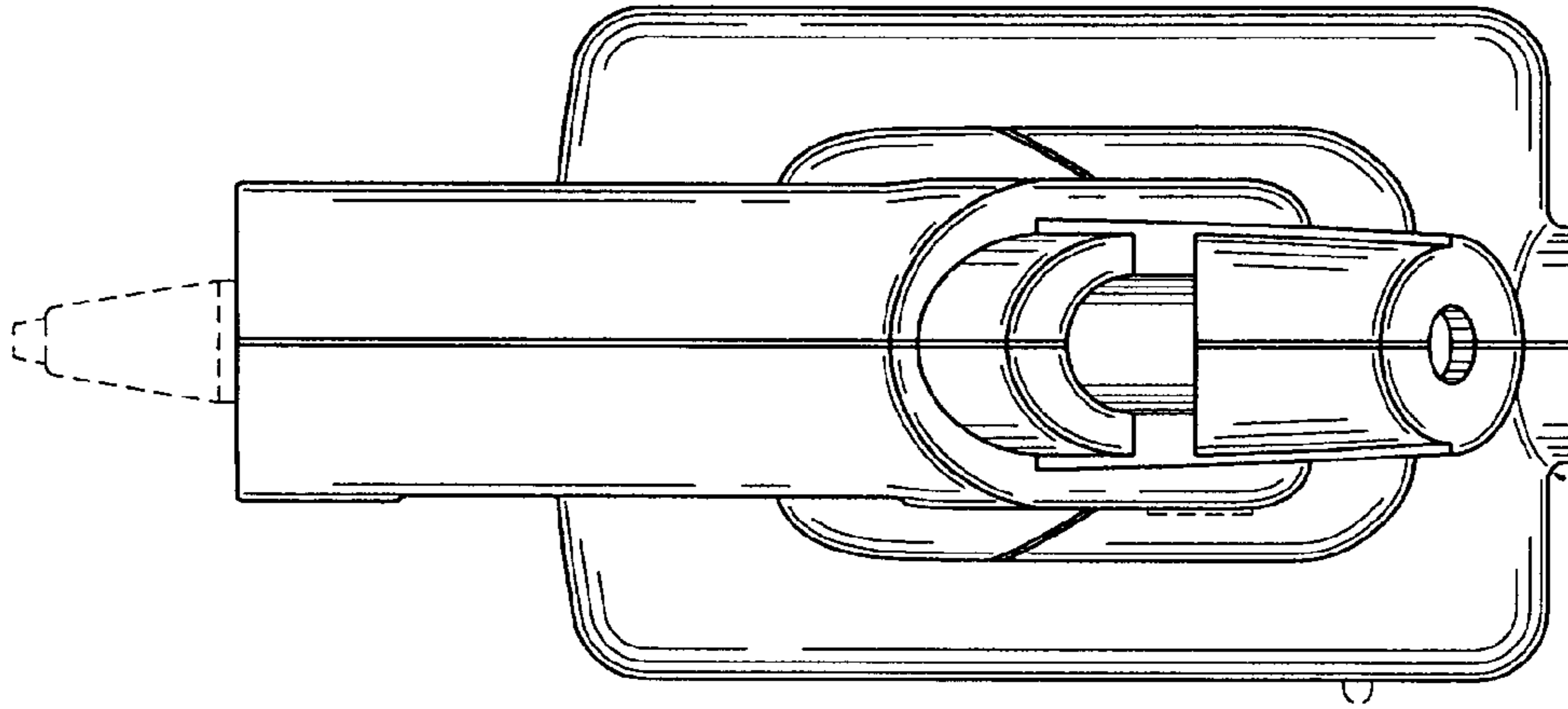


FIG. 4

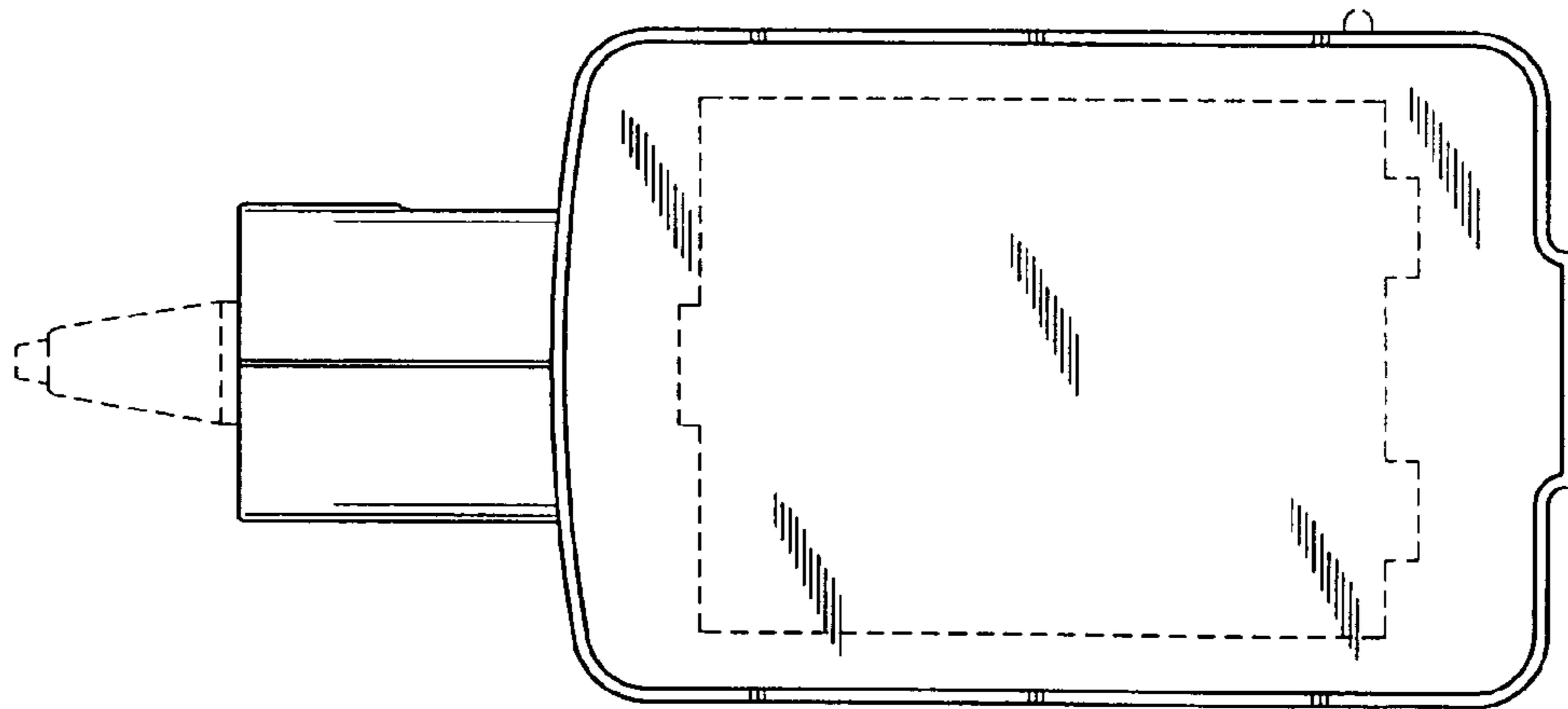


FIG. 5

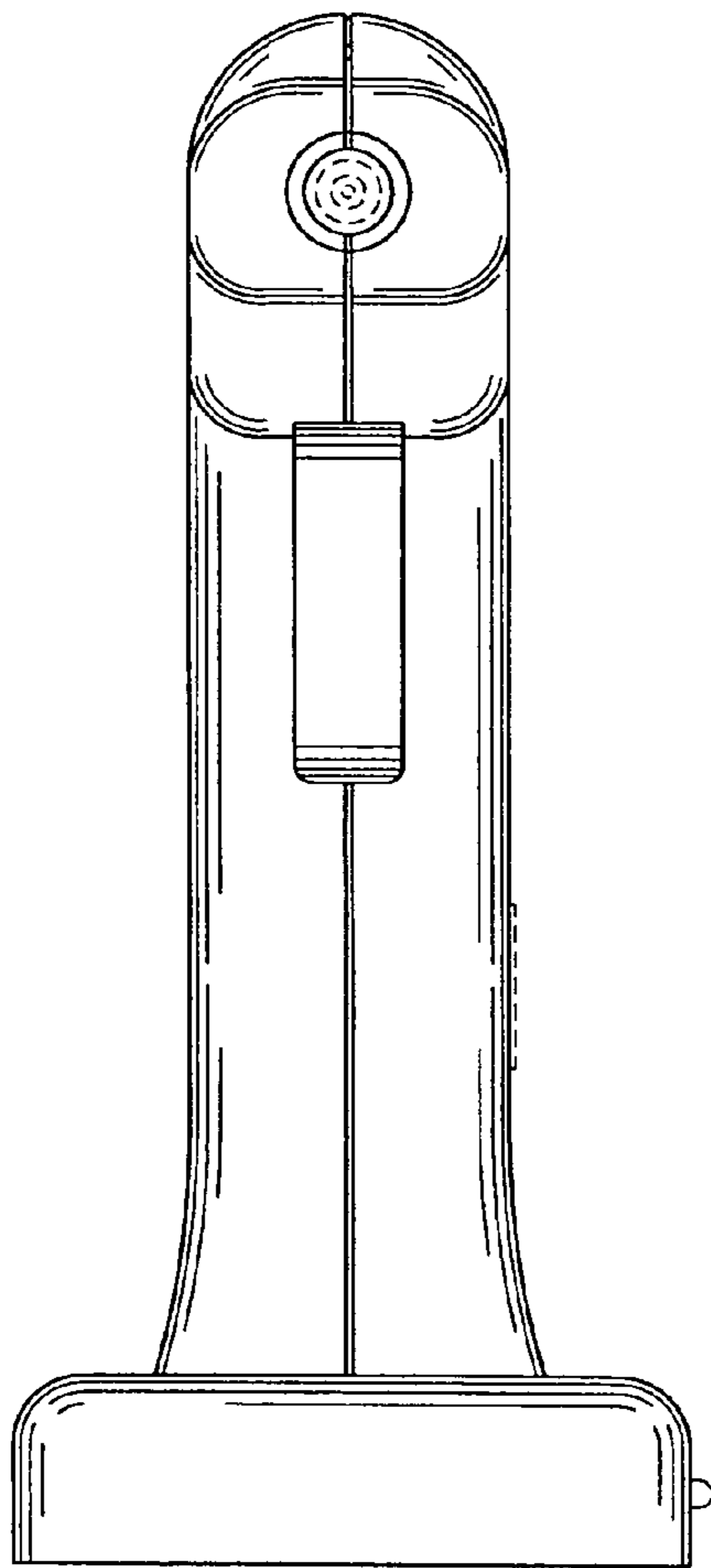


FIG. 6

