



US00D590673S

(12) **United States Design Patent**
Guo

(10) **Patent No.:** **US D590,673 S**

(45) **Date of Patent:** **** Apr. 21, 2009**

(54) **ELECTRONIC GREASE GUN**

7,267,198 B2 * 9/2007 Cen 184/105.2
D573,425 S * 7/2008 Post et al. D8/14.1

(76) Inventor: **Wei-I Guo**, No. 245, Dongping Rd.,
Taiping City, Taichung County 41141
(TW)

* cited by examiner

Primary Examiner—Holly H Baynham
Assistant Examiner—Sheryl Lane
(74) *Attorney, Agent, or Firm*—Banger Shia

(**) Term: **14 Years**

(21) Appl. No.: **29/303,775**

(57) **CLAIM**

(22) Filed: **Feb. 16, 2008**

The ornamental design for an electronic grease gun, as shown and described.

(51) **LOC (9) Cl.** **08-05**

(52) **U.S. Cl.** **D8/14.1**

(58) **Field of Classification Search** D8/14.1,
D8/29.1, 51, 61; 222/333, 325, 326, 330
See application file for complete search history.

DESCRIPTION

FIG. 1 is a perspective view of an electronic grease gun showing my new design;

FIG. 2 is a front elevational view thereof;

FIG. 3 is a rear elevational view thereof;

FIG. 4 is a left side elevational view thereof;

FIG. 5 is a right side elevational view thereof;

FIG. 6 is a top plan view thereof; and,

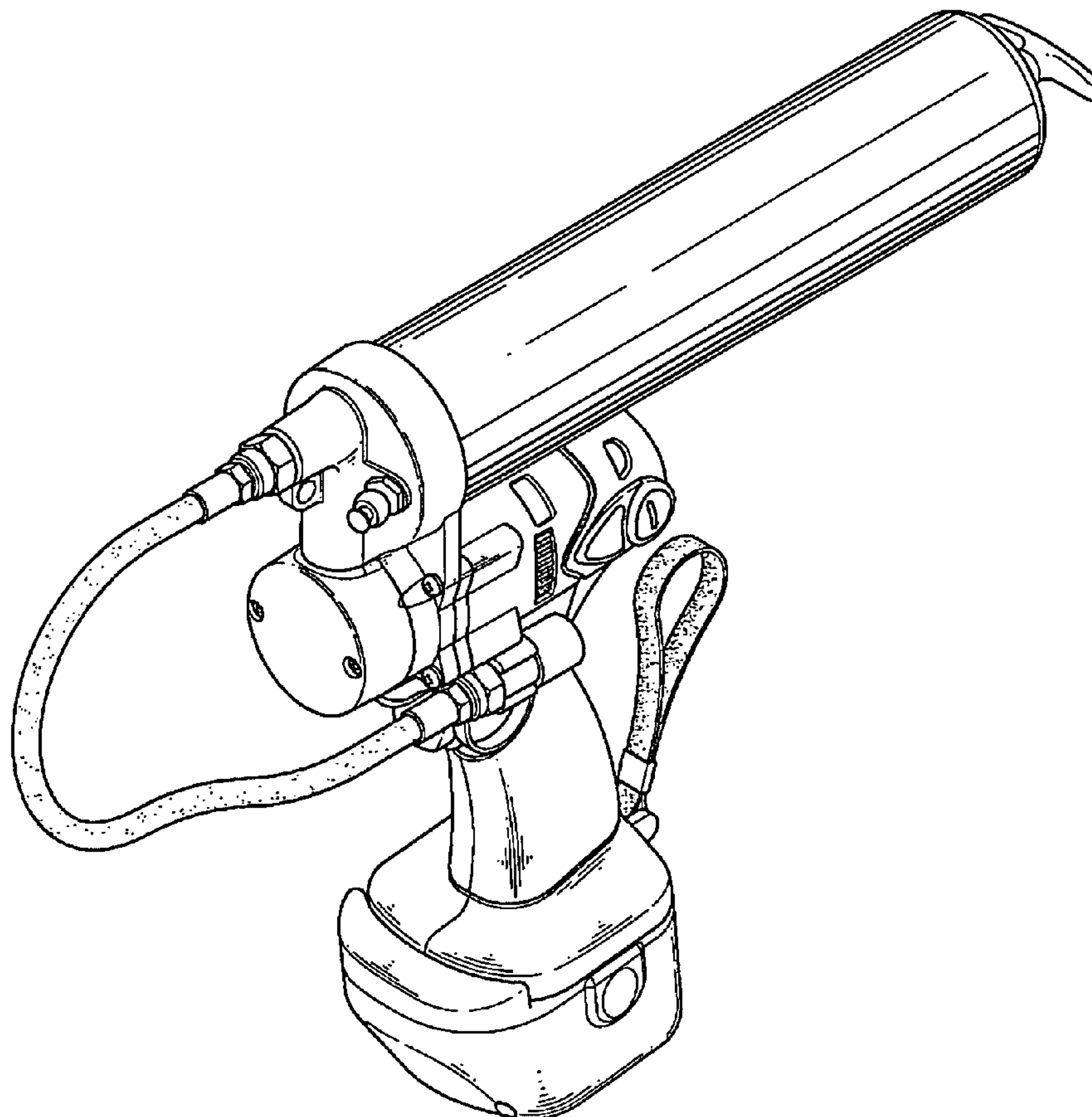
FIG. 7 is a bottom plan view thereof.

(56) **References Cited**

U.S. PATENT DOCUMENTS

2,694,508	A	*	11/1954	Petrenchak	222/323
D295,599	S	*	5/1988	Shew	D8/14.1
D332,556	S	*	1/1993	Snider	D8/14.1
D407,613	S	*	4/1999	Graper	D8/14.1
D490,671	S	*	6/2004	Hung	D8/14.1
D510,242	S	*	10/2005	Chen	D8/14.1
D548,551	S	*	8/2007	Lopano et al.	D8/14.1

1 Claim, 5 Drawing Sheets



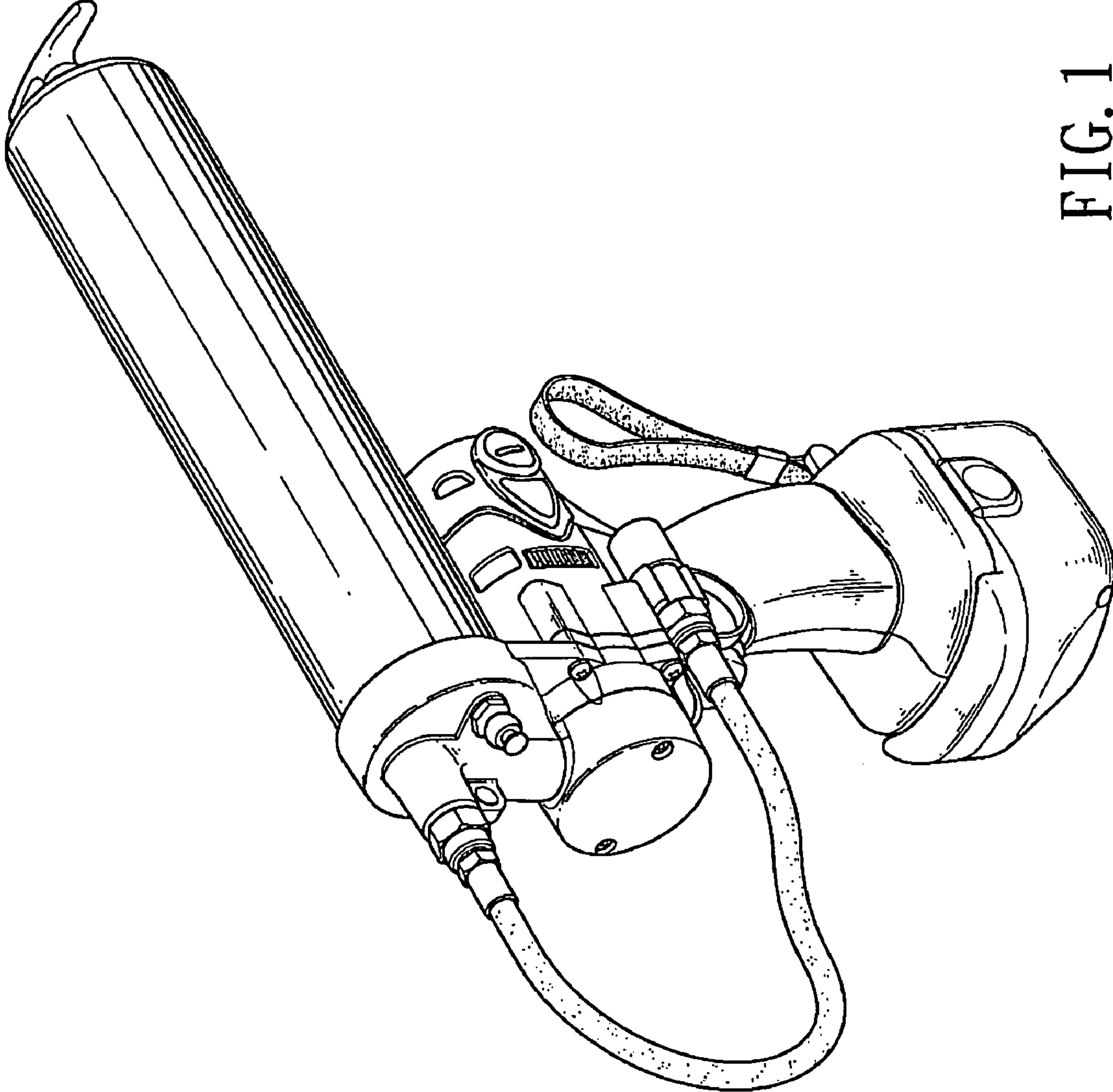


FIG. 1

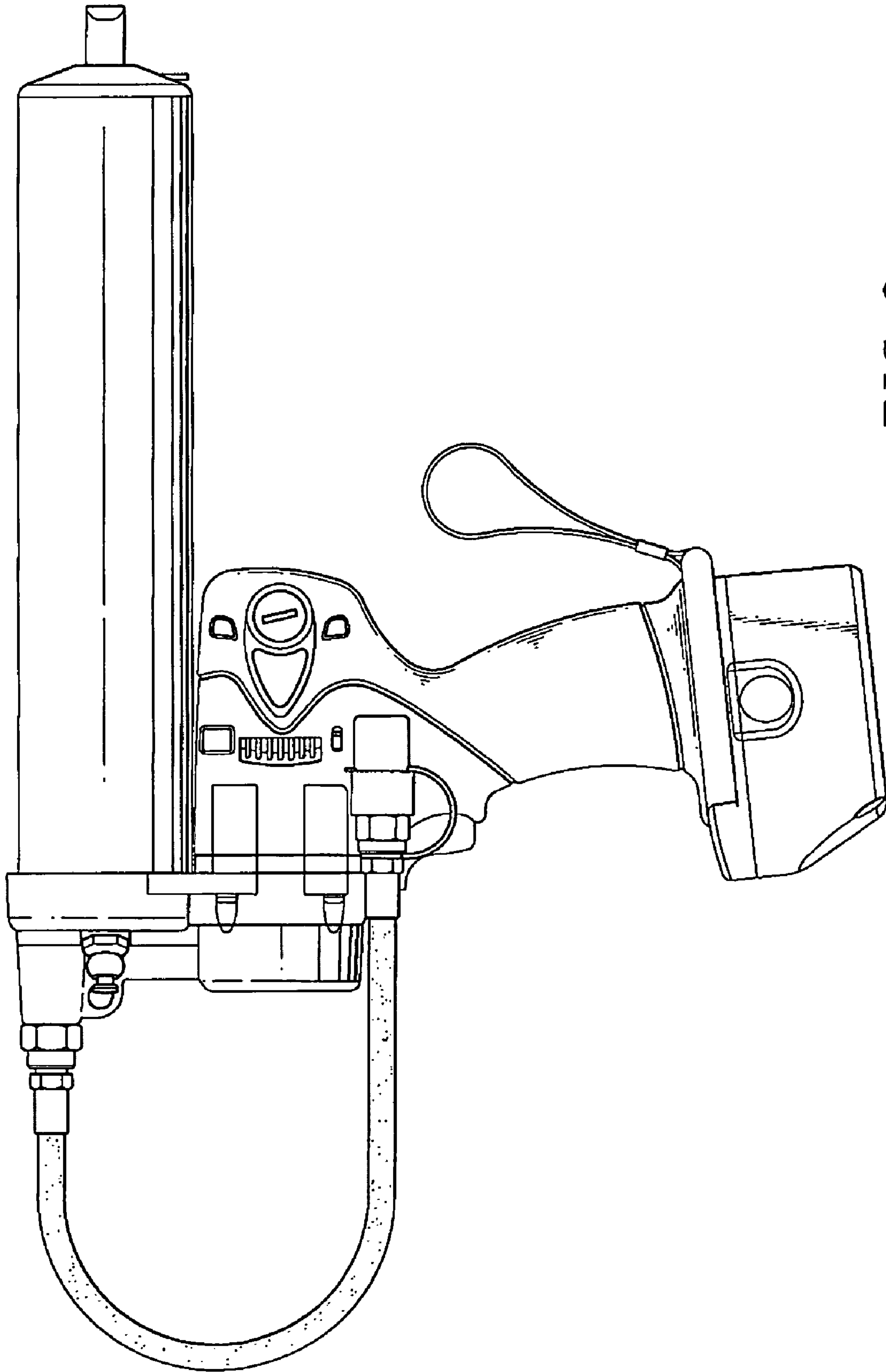


FIG. 2

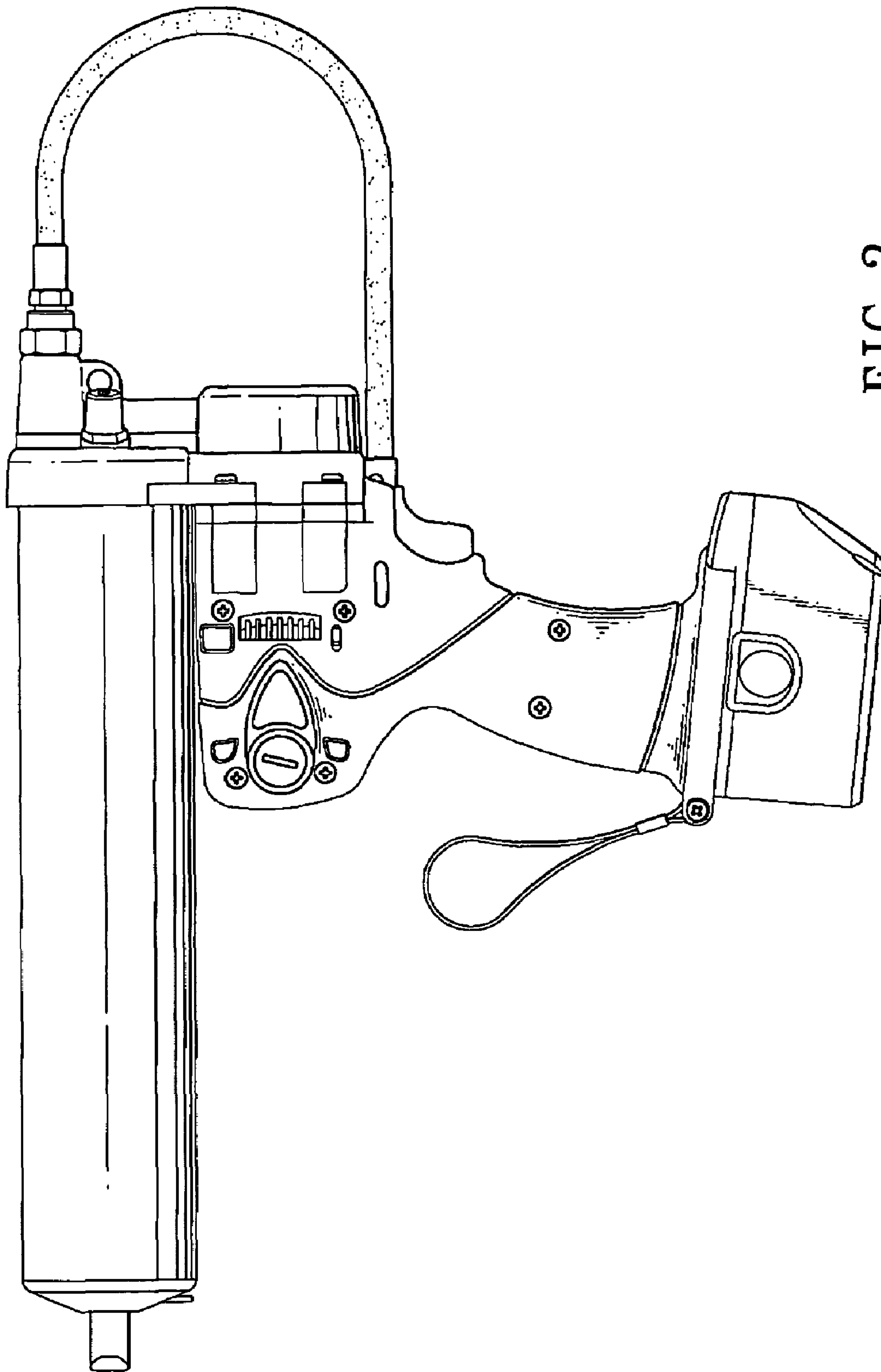


FIG. 3

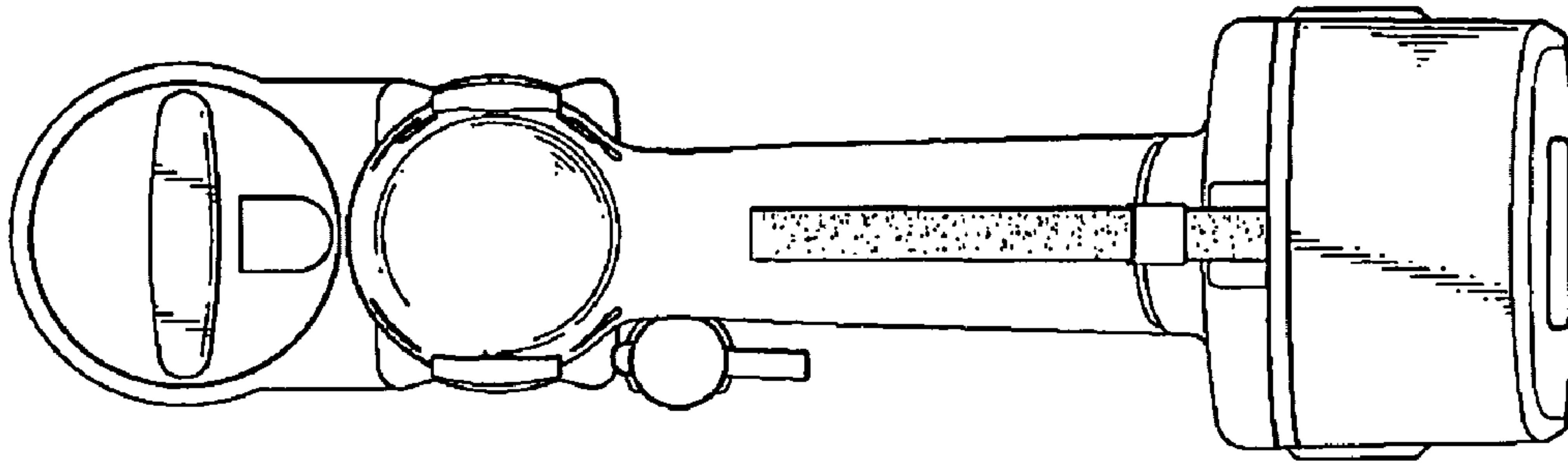


FIG. 5

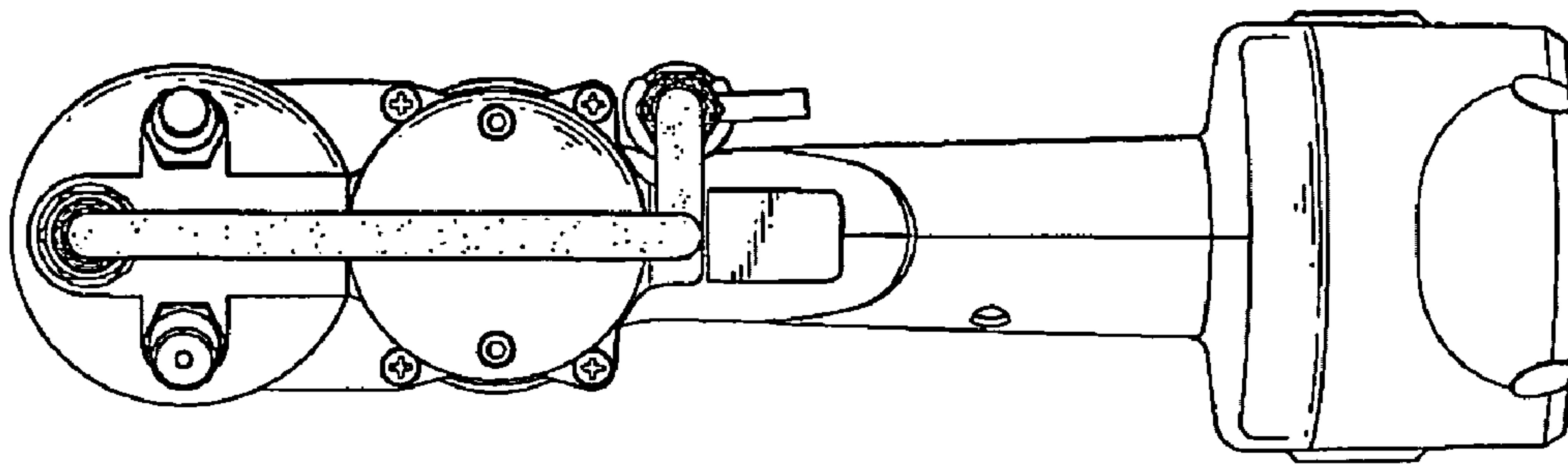


FIG. 4

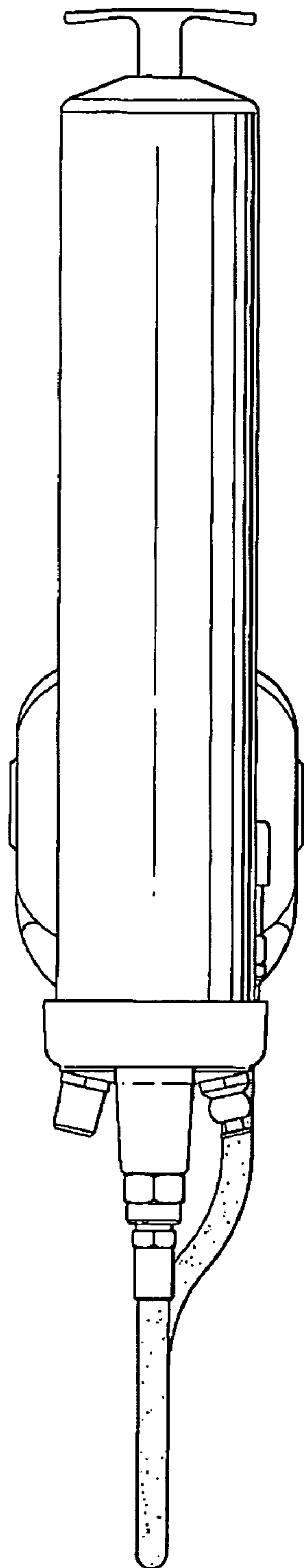


FIG. 6

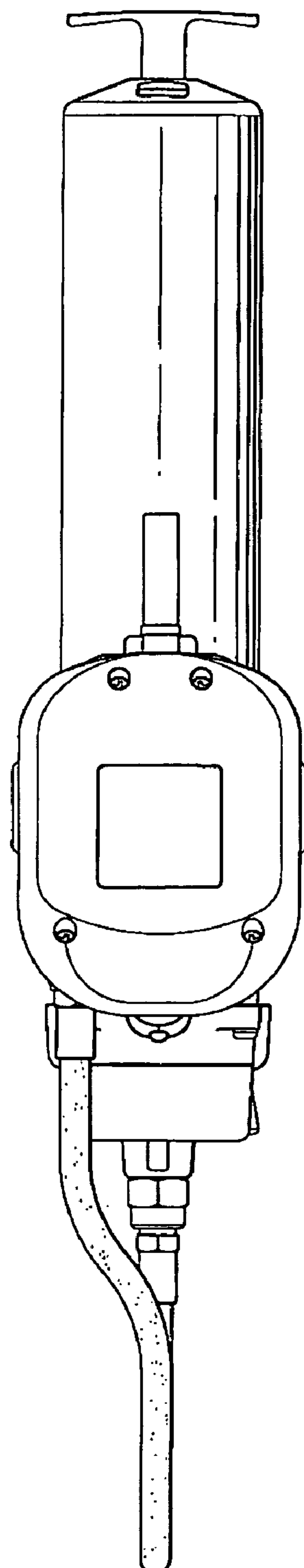


FIG. 7