



US00D590672S

(12) **United States Design Patent**  
**Greening et al.**

(10) **Patent No.:** **US D590,672 S**  
(45) **Date of Patent:** **\*\* Apr. 21, 2009**

(54) **GARDENER'S SCOOP**

(76) Inventors: **Estelita Greening**, 1030 Haman Way, Roseville, CA (US) 95678; **Sam Mariano**, 1030 Haman Way, Roseville, CA (US) 95678

(\*\*) Term: **14 Years**

(21) Appl. No.: **29/301,325**

(22) Filed: **Feb. 25, 2008**

(51) **LOC (9) Cl.** ..... **08-01**

(52) **U.S. Cl.** ..... **D8/10**

(58) **Field of Classification Search** ..... D7/691;  
D8/45, 10, 11, 51; 294/49, 51, 55; 15/235.3  
See application file for complete search history.

(56) **References Cited**

U.S. PATENT DOCUMENTS

784,562	A *	3/1905	Hetland	.....	294/51
4,361,245	A *	11/1982	Allen et al.	.....	220/2
4,457,548	A *	7/1984	Robins et al.	.....	294/55
D317,108	S *	5/1991	Cochran	.....	D8/10
D342,358	S *	12/1993	Castro et al.	.....	D32/74
5,868,447	A *	2/1999	Clark et al.	.....	294/1.4
D465,704	S *	11/2002	Gowdy	.....	D8/10
D533,418	S *	12/2006	Agazzi	.....	D8/45
2005/0035611	A1 *	2/2005	Agazzi et al.	.....	294/55

\* cited by examiner

*Primary Examiner*—Holly H Baynham

*Assistant Examiner*—Sheryl Lane

(74) *Attorney, Agent, or Firm*—Marc C. Jacobs

(57) **CLAIM**

The ornamental design for a gardener's scoop, as shown and described.

**DESCRIPTION**

FIG. 1 is a perspective front view of the first embodiment of the gardener's scoop of this design.

FIG. 2 is a right side elevational view thereof. The left side is a mirror image of the right side.

FIG. 3 is a rear perspective view of the first embodiment of this design.

FIG. 4 is a bottom plan view of the first embodiment of this design.

FIG. 5 is a front elevational view of this scoop's first embodiment.

FIG. 6 is a perspective front view of the second embodiment of the gardener's scoop of this design.

FIG. 7 is a right side elevational view of the second embodiment. The left side is a mirror image of the right side.

FIG. 8 is a rear perspective view of the second embodiment of this design.

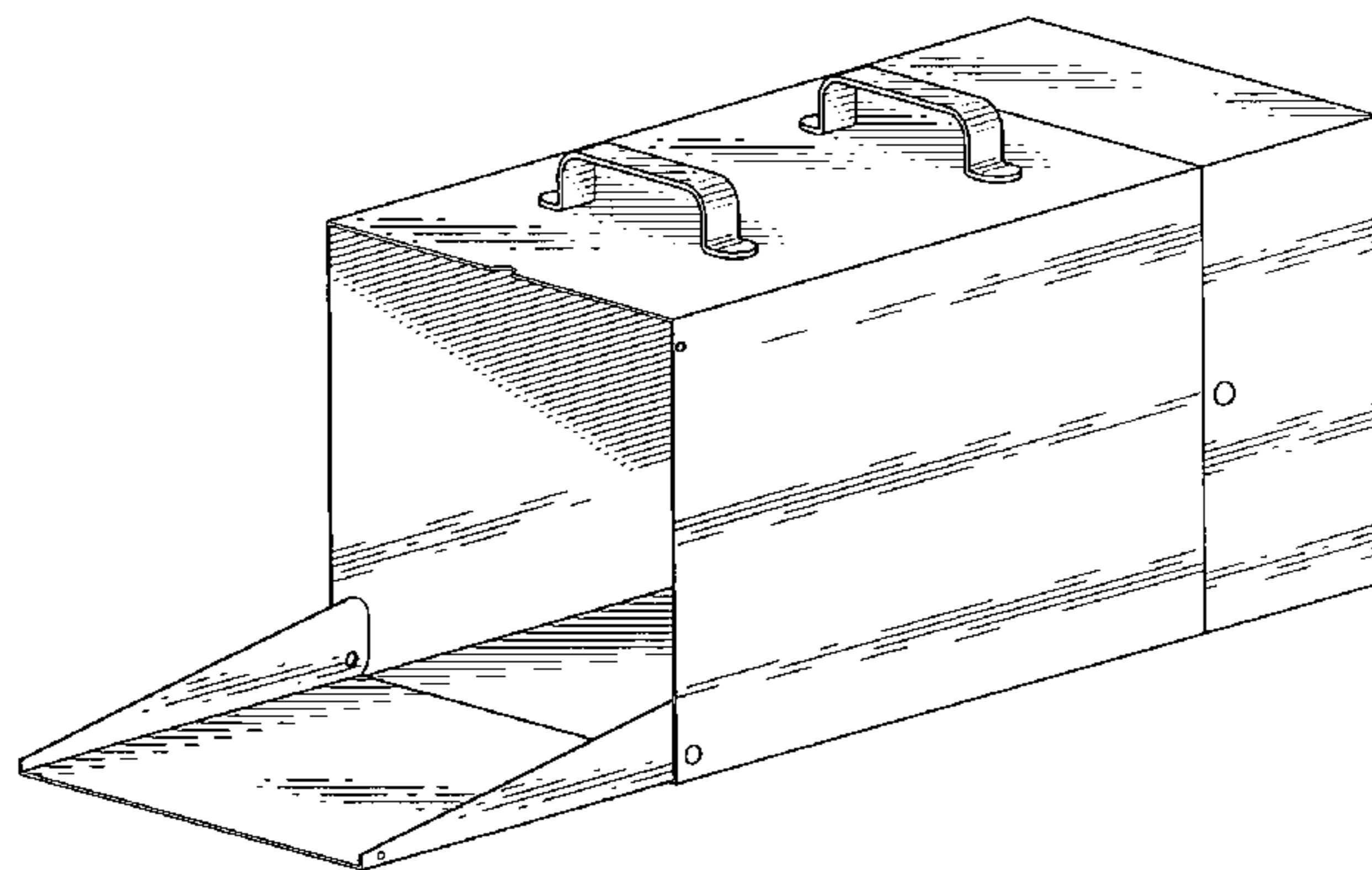
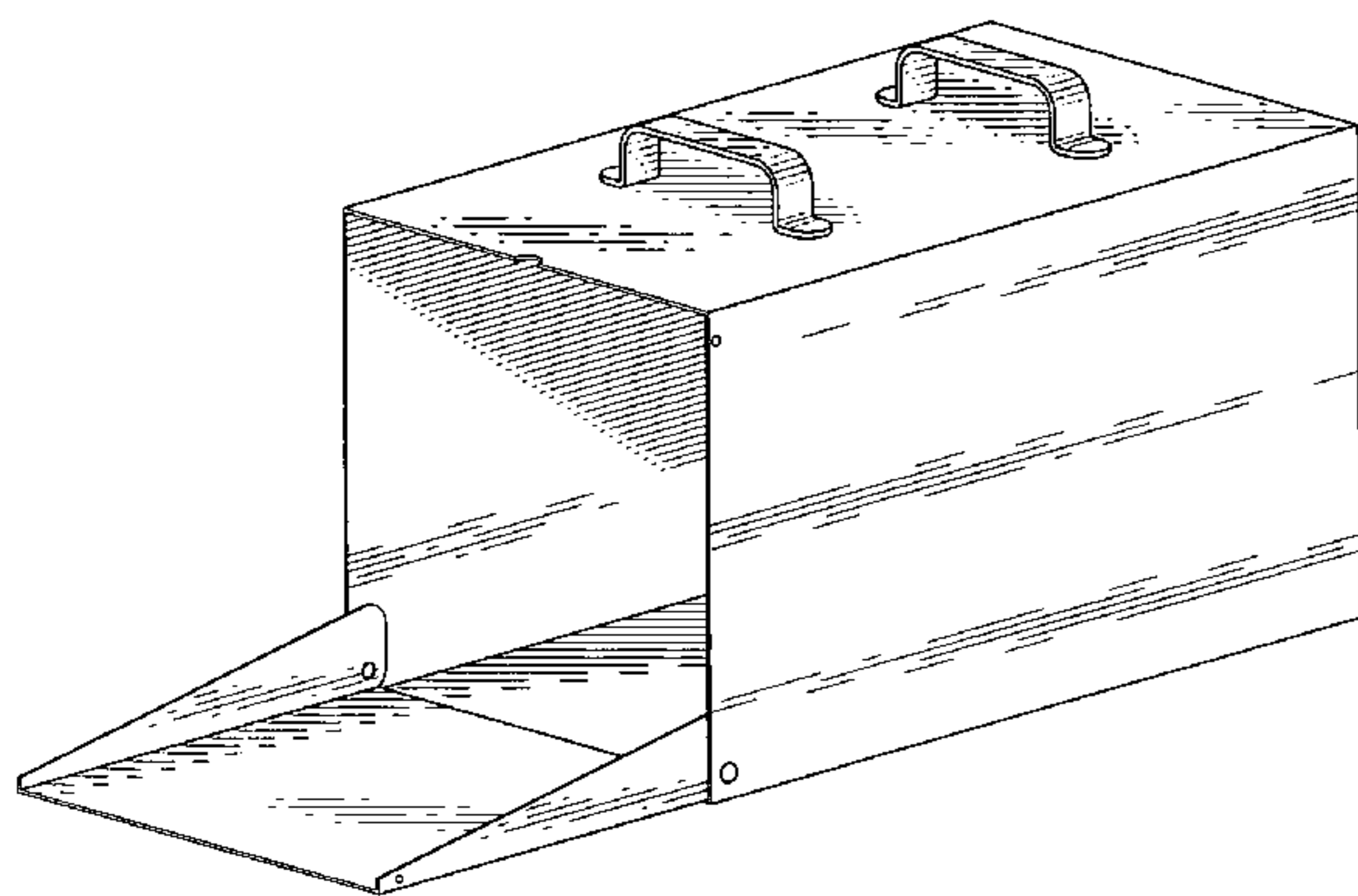
FIG. 9 is an exploded perspective view of the second embodiment of this design.

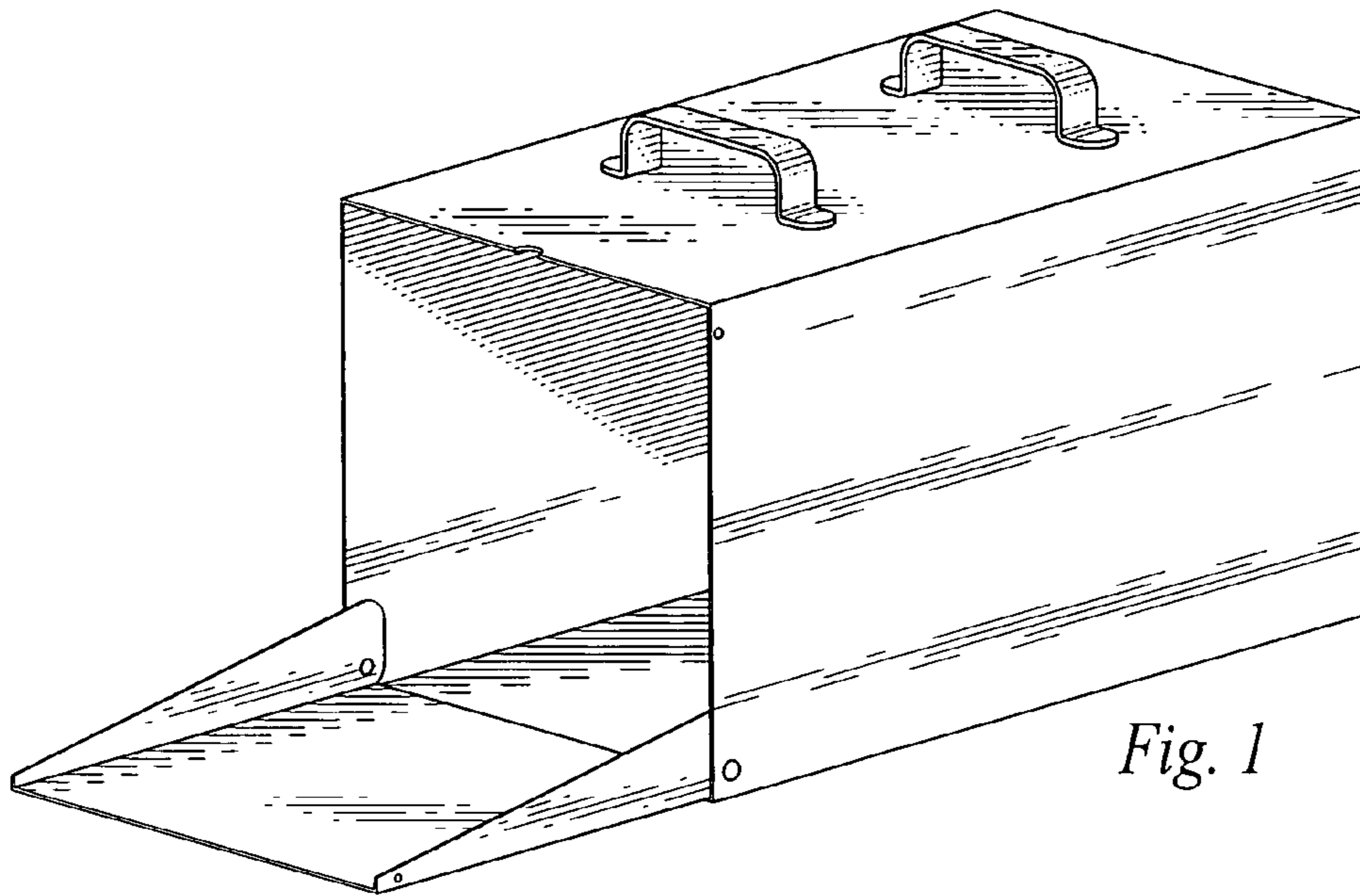
FIG. 10 is a bottom plan view of the second embodiment.

FIG. 11 is a front elevational view of this scoop's second embodiment; and,

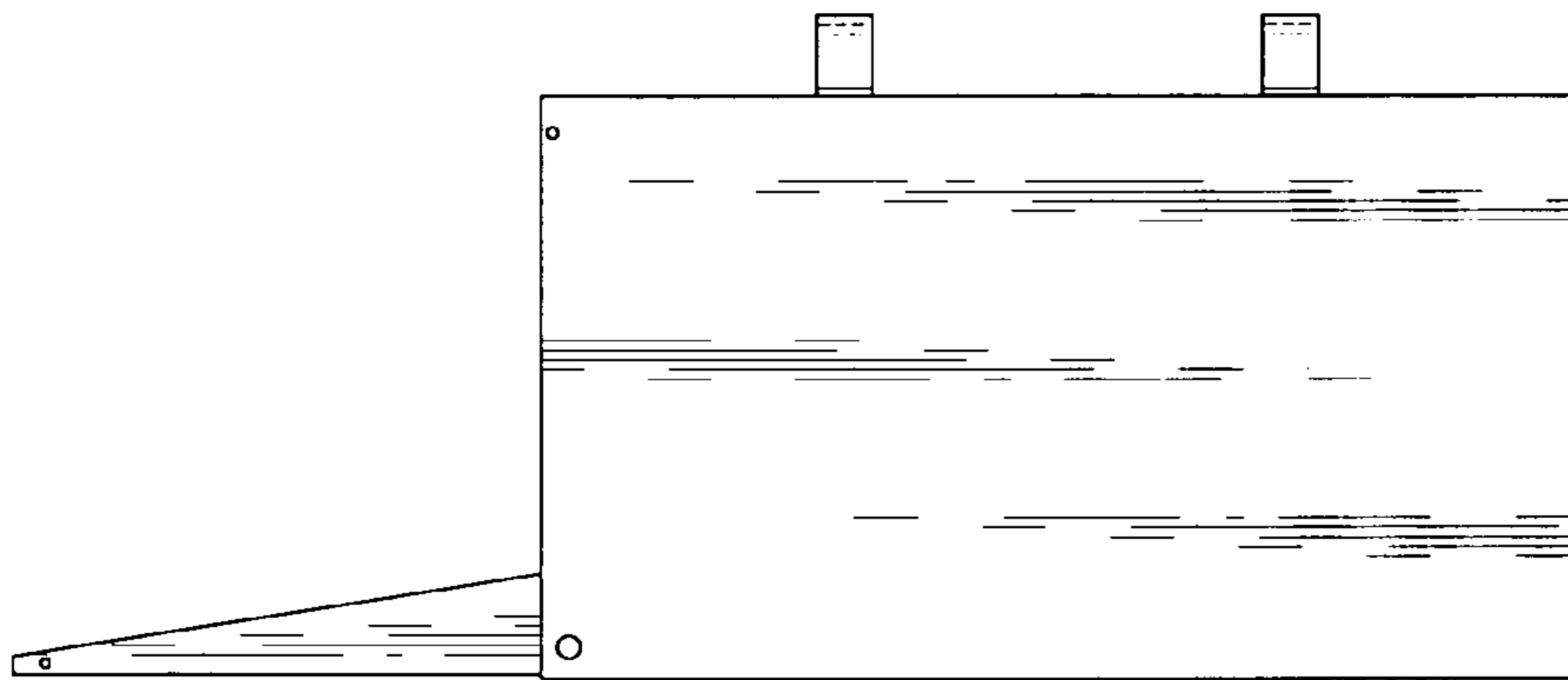
FIG. 12 is a partial front perspective view of the both the first and second embodiments with the scoop shown in its closed position.

**1 Claim, 4 Drawing Sheets**

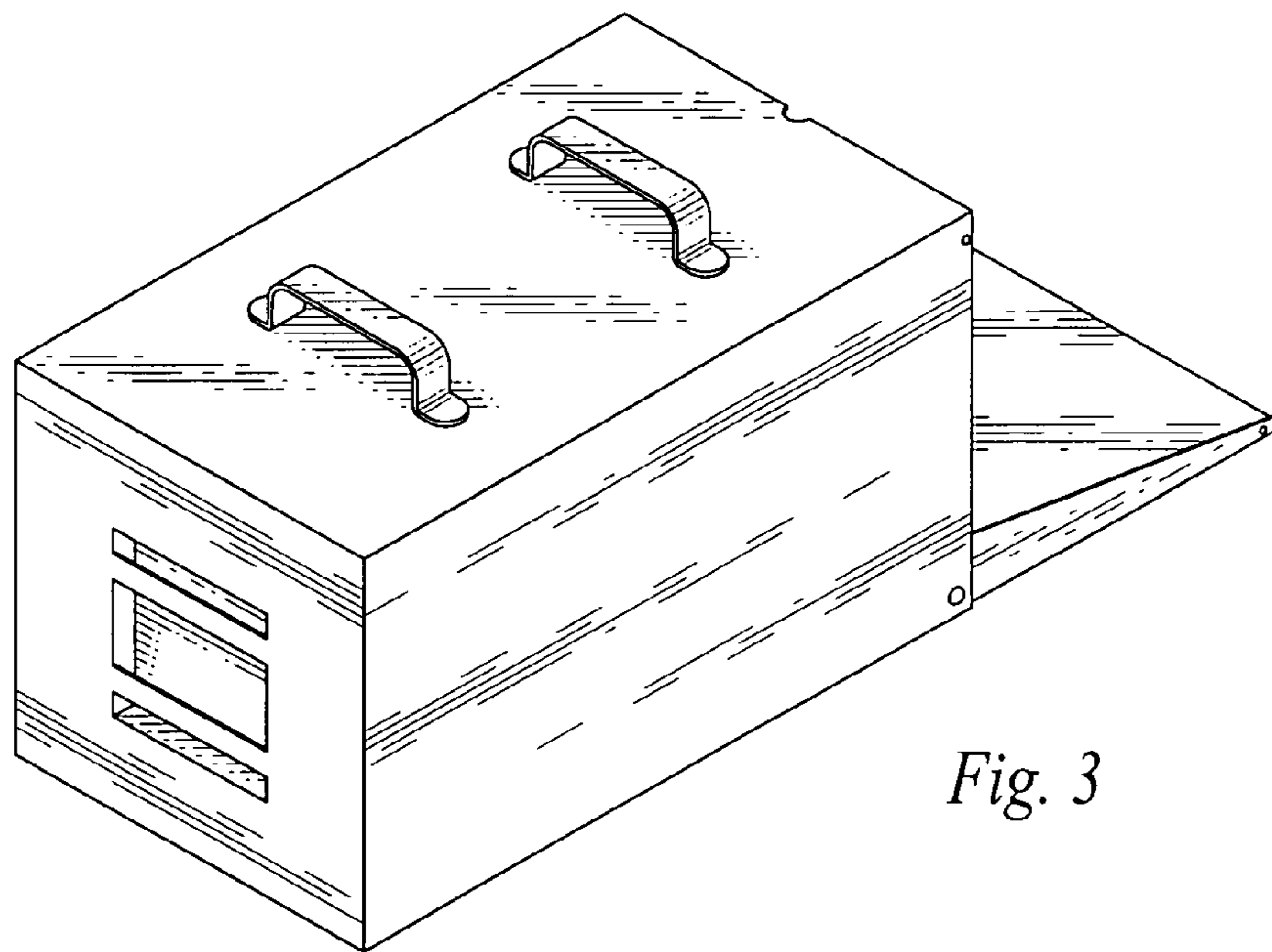




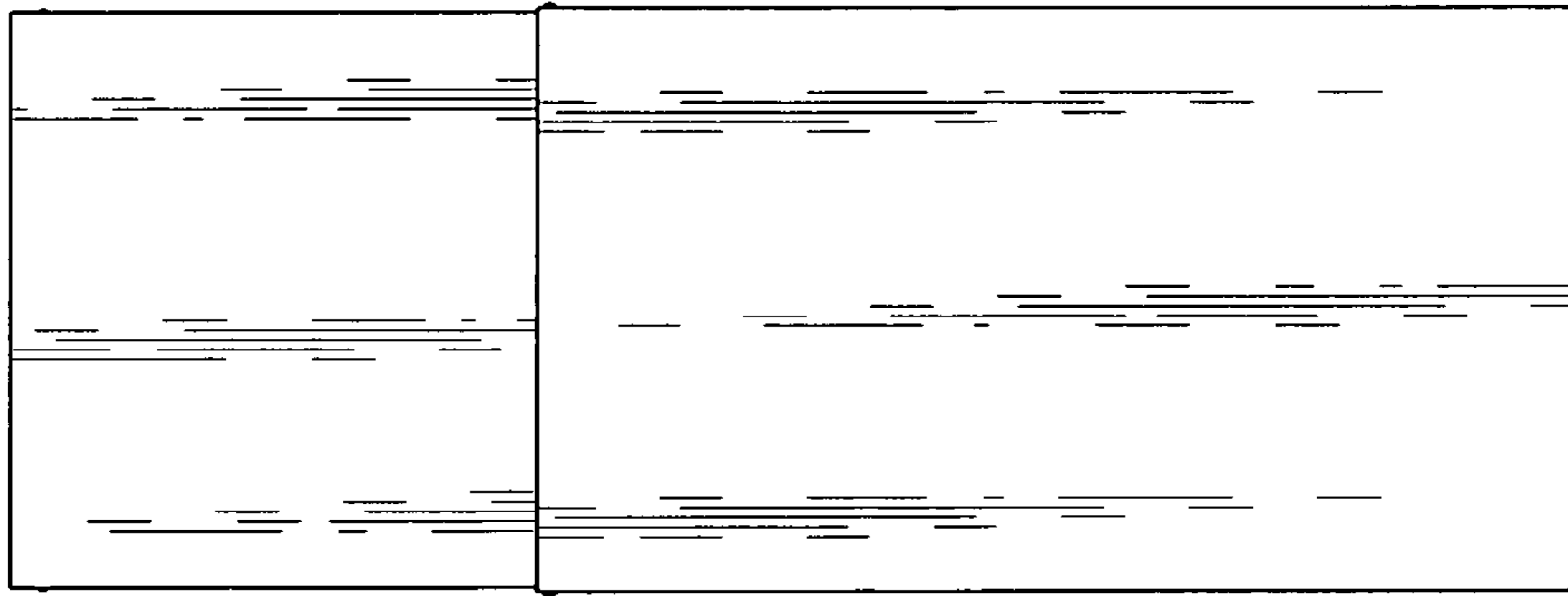
*Fig. 1*



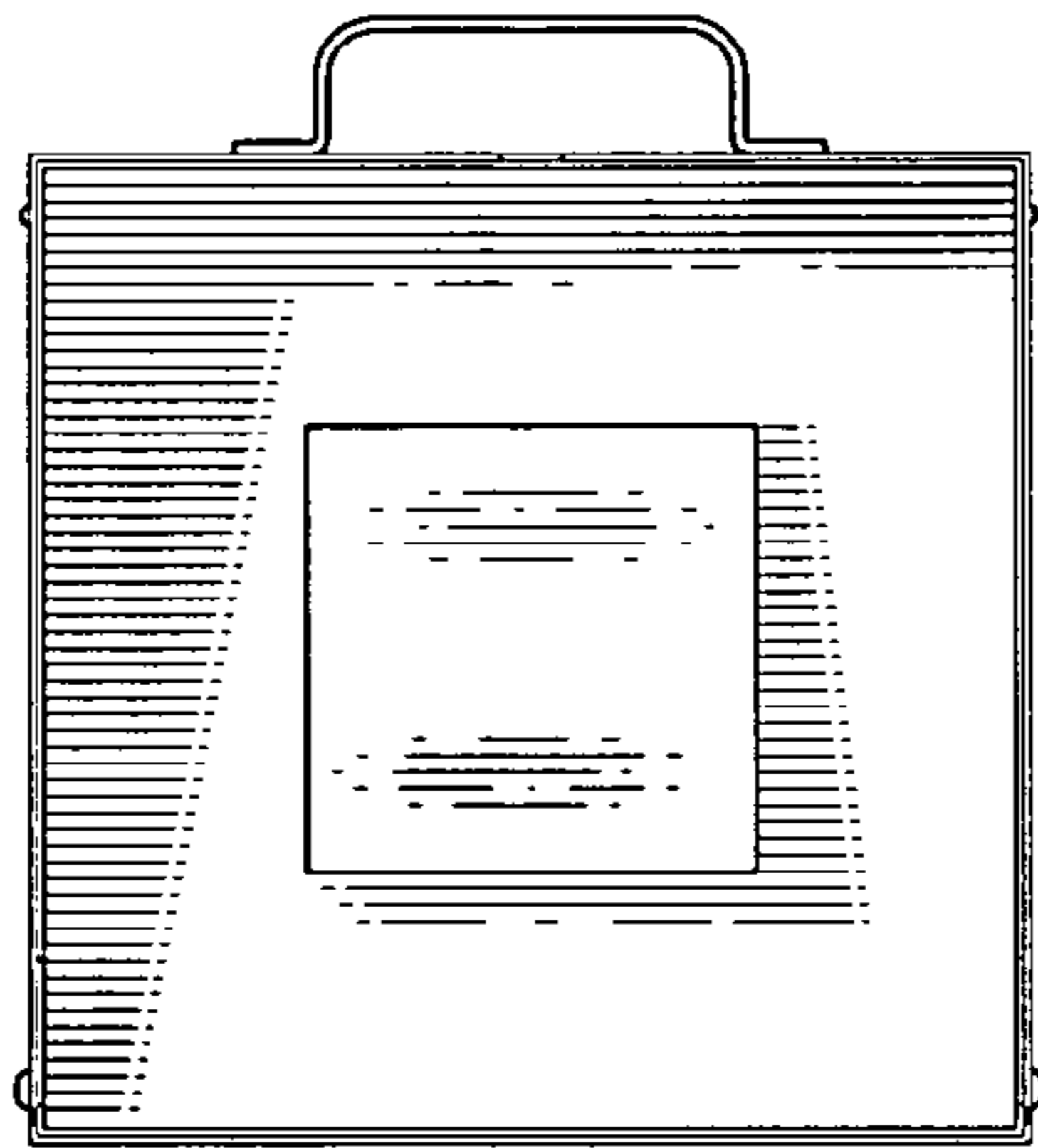
*Fig. 2*



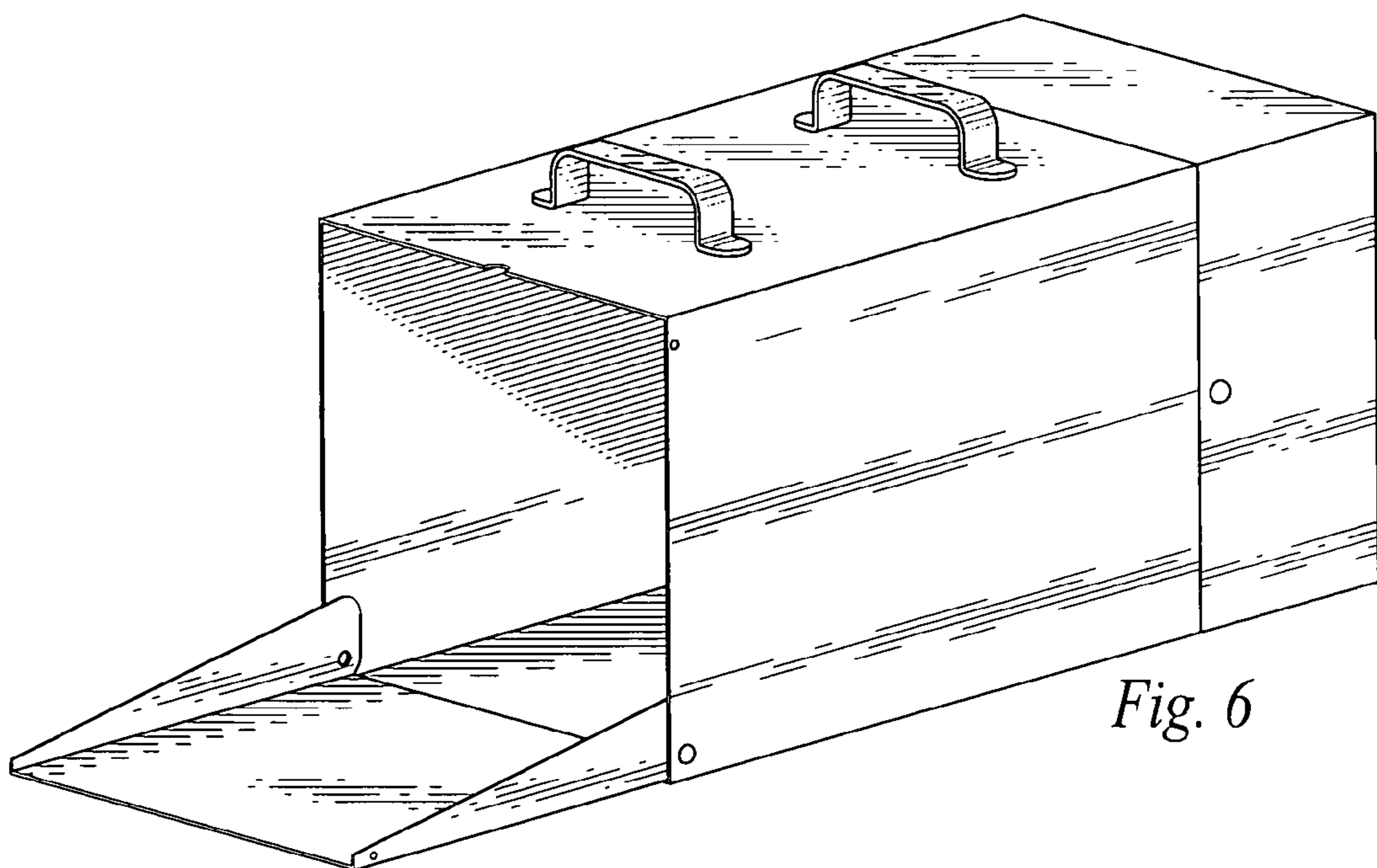
*Fig. 3*



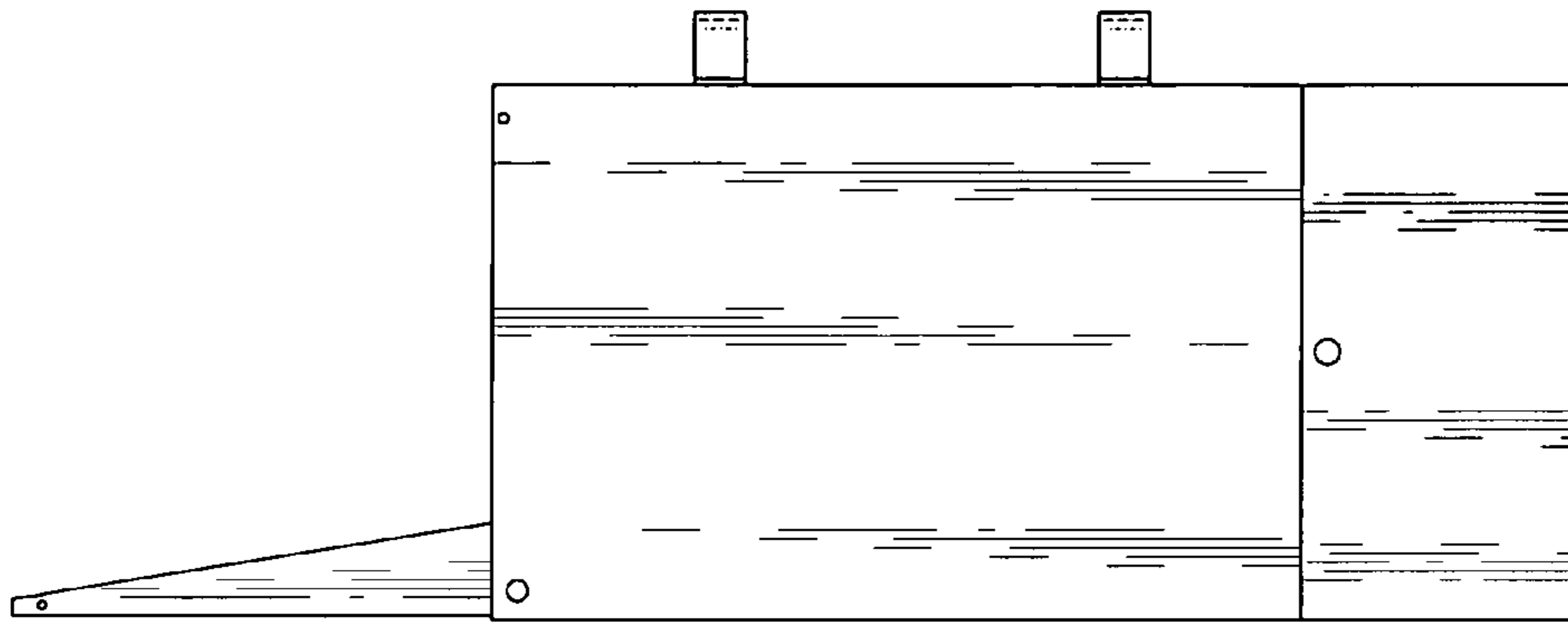
*Fig. 4*



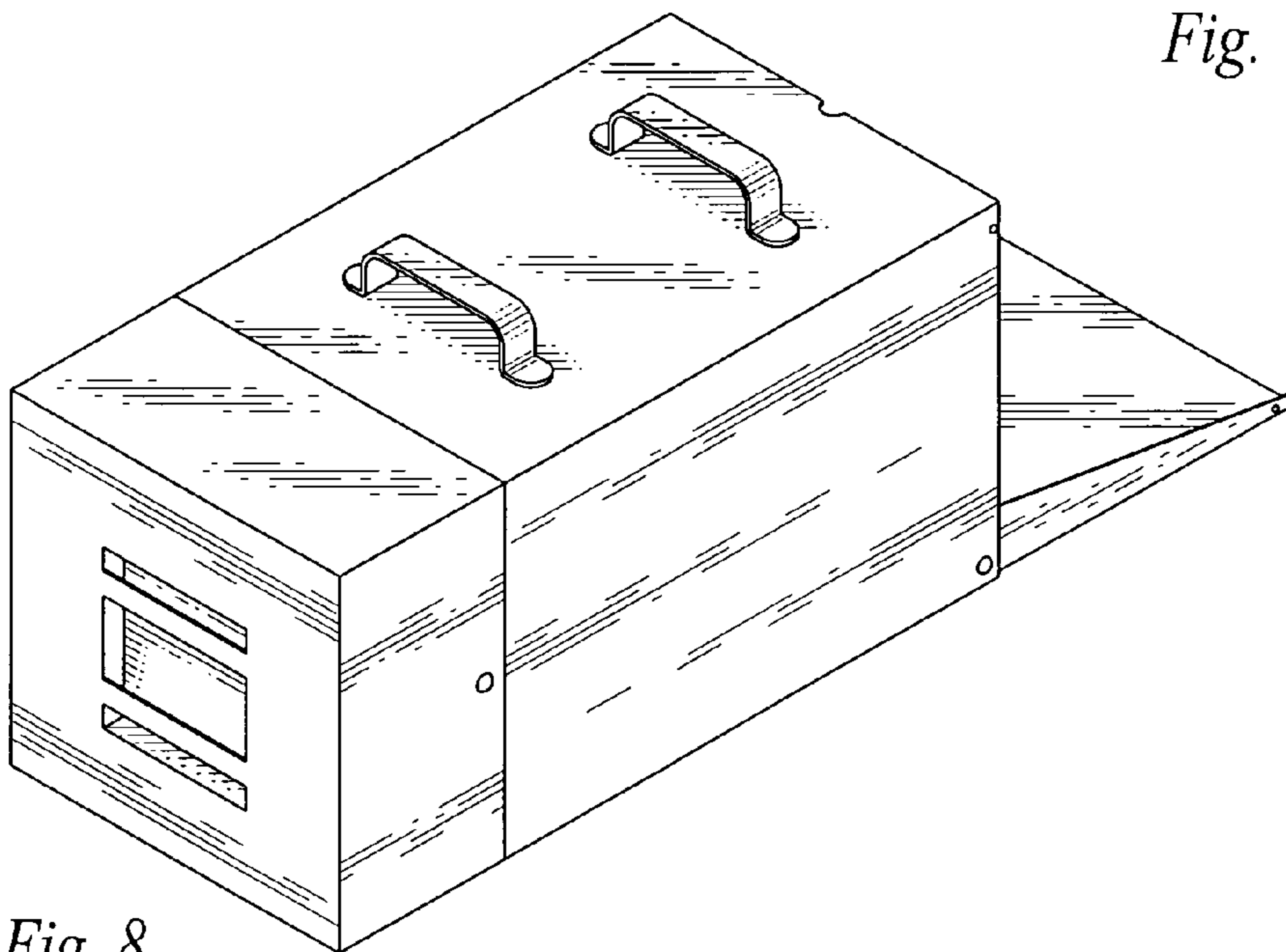
*Fig. 5*



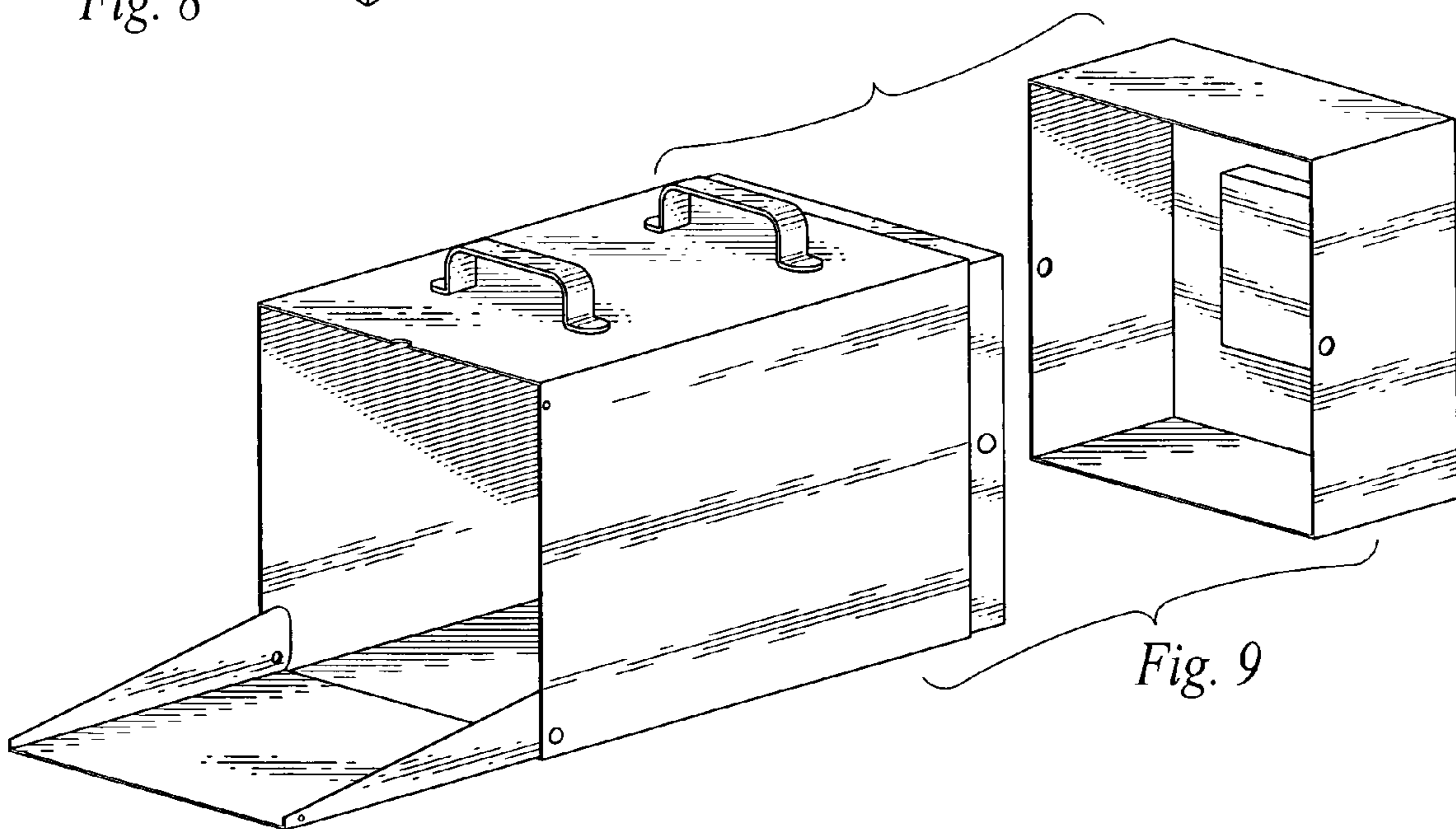
*Fig. 6*



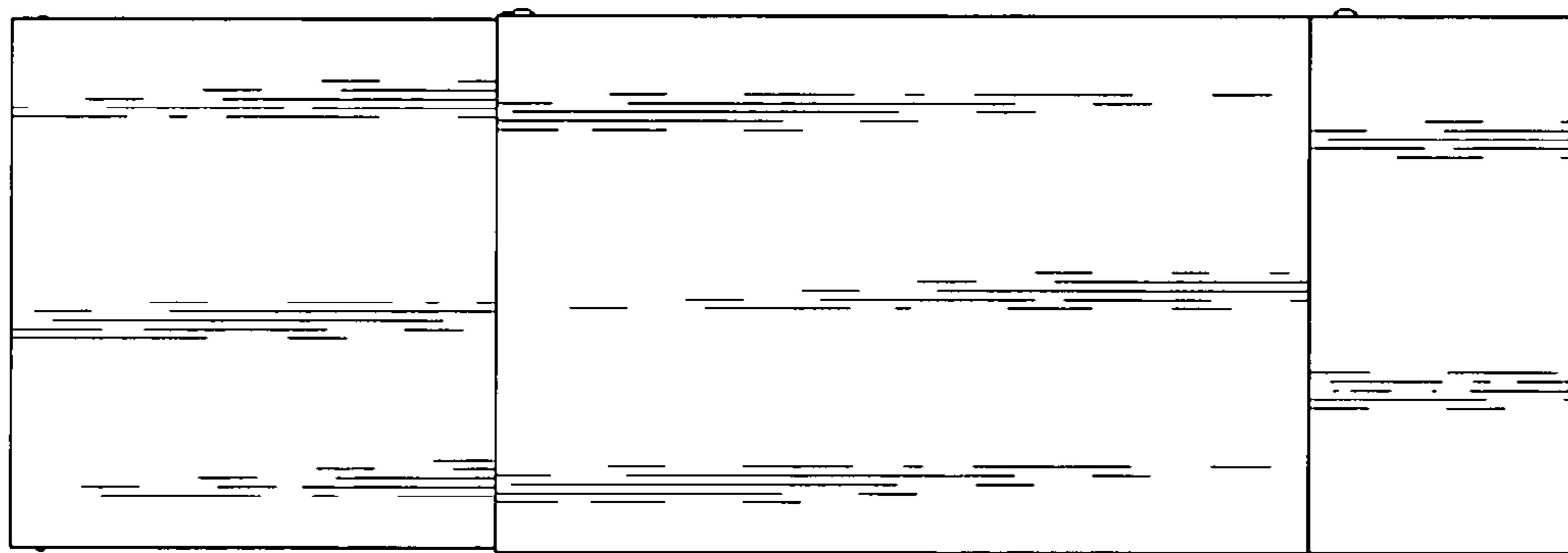
*Fig. 7*



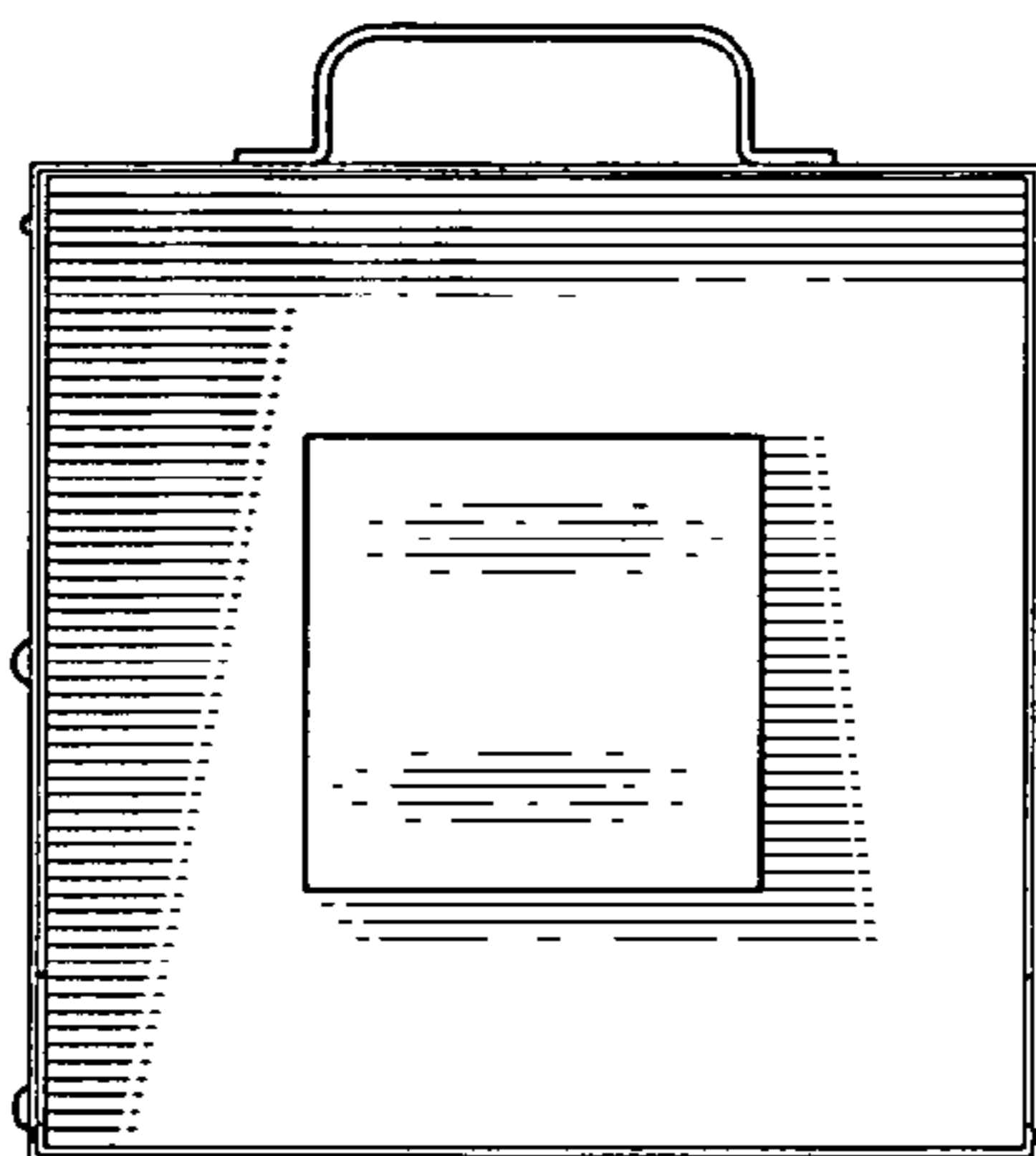
*Fig. 8*



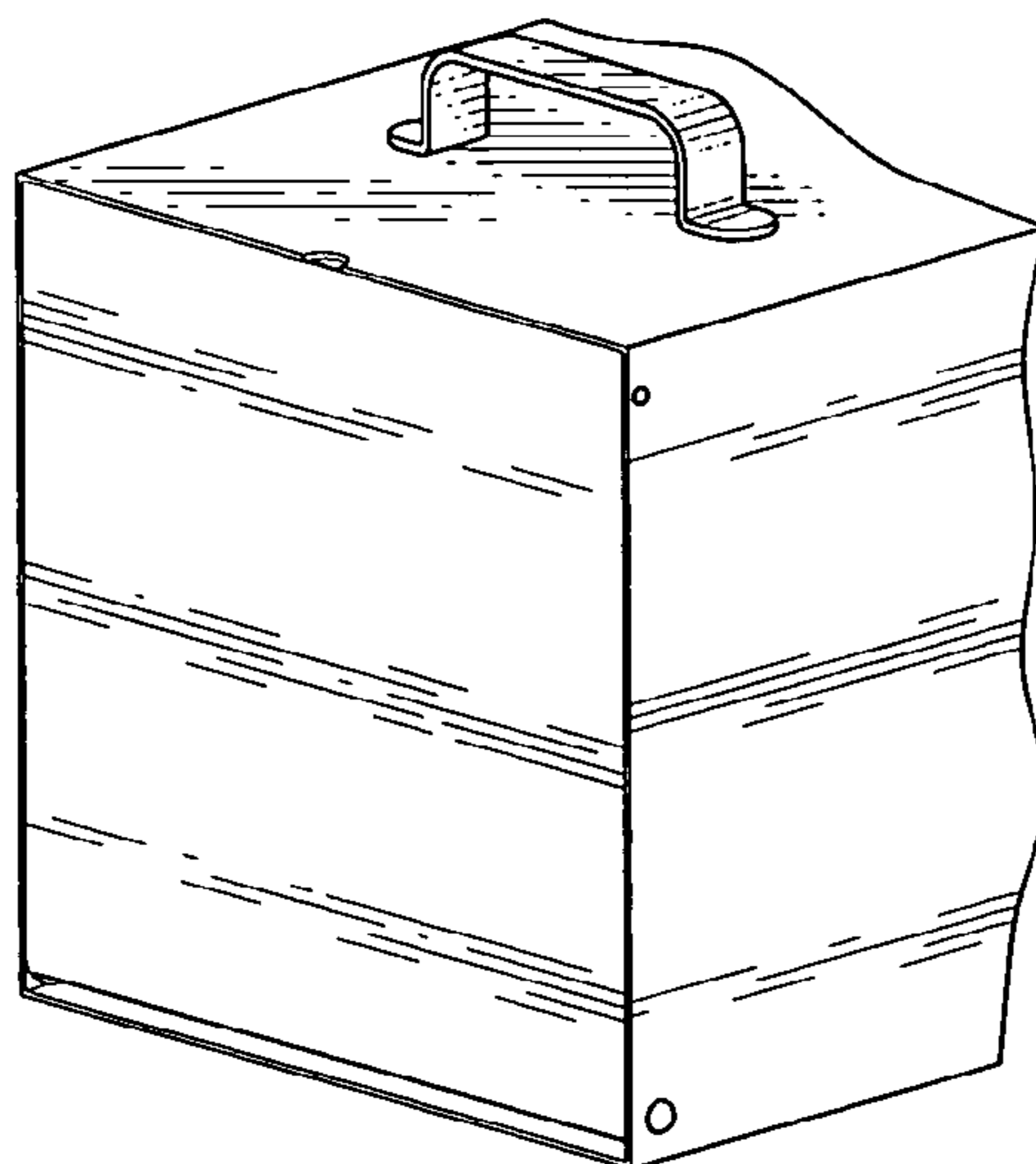
*Fig. 9*



*Fig. 10*



*Fig. 11*



*Fig. 12*