



US00D590667S

(12) **United States Design Patent**
Trombly

(10) **Patent No.:** **US D590,667 S**

(45) **Date of Patent:** **** Apr. 21, 2009**

(54) **CONTAINER**

(75) Inventor: **Edgar F. Trombly**, Grosse Pointe Farms, MI (US)

(73) Assignee: **Punch Products USA, Inc.**, Rahway, NJ (US)

(**) Term: **14 Years**

(21) Appl. No.: **29/306,872**

(22) Filed: **Apr. 17, 2008**

(51) **LOC (9) Cl.** **07-07**

(52) **U.S. Cl.** **D7/629; D7/615**

(58) **Field of Classification Search** D7/601,
D7/602, 629, 612-615, 538-542; D9/572-575,
D9/549, 558, 516, 519; 220/780-806, 574-575,
220/326

See application file for complete search history.

(56) **References Cited**

U.S. PATENT DOCUMENTS

D278,674 S *	5/1985	Tardif et al.	D7/629
5,356,026 A *	10/1994	Andress et al.	220/793
D352,210 S *	11/1994	Cousins et al.	D7/612
D376,512 S *	12/1996	Klemme	D7/538
6,253,947 B1 *	7/2001	Yang	220/659
D488,031 S *	4/2004	Kim	D7/629
D514,895 S *	2/2006	van Elderen	D7/615

* cited by examiner

Primary Examiner—Terry A Wallace

(74) *Attorney, Agent, or Firm*—Baker Botts L.L.P.

(57) **CLAIM**

The ornamental design of a container, as shown and described.

DESCRIPTION

FIG. 1 is a perspective view of a first embodiment of the container.

FIG. 2 is a front view of the embodiment of FIG. 1.

FIG. 3 is a right side view of the embodiment of FIG. 1.

FIG. 4 is a rear view of the embodiment of FIG. 1.

FIG. 5 is a left side view of the embodiment of FIG. 1.

FIG. 6 is a top view of the embodiment of FIG. 1.

FIG. 7 is a bottom view of the embodiment of FIG. 1.

FIG. 8 is a perspective view of a second embodiment of the container.

FIG. 9 is a front view of the embodiment of FIG. 8.

FIG. 10 is a right side view of the embodiment of FIG. 8.

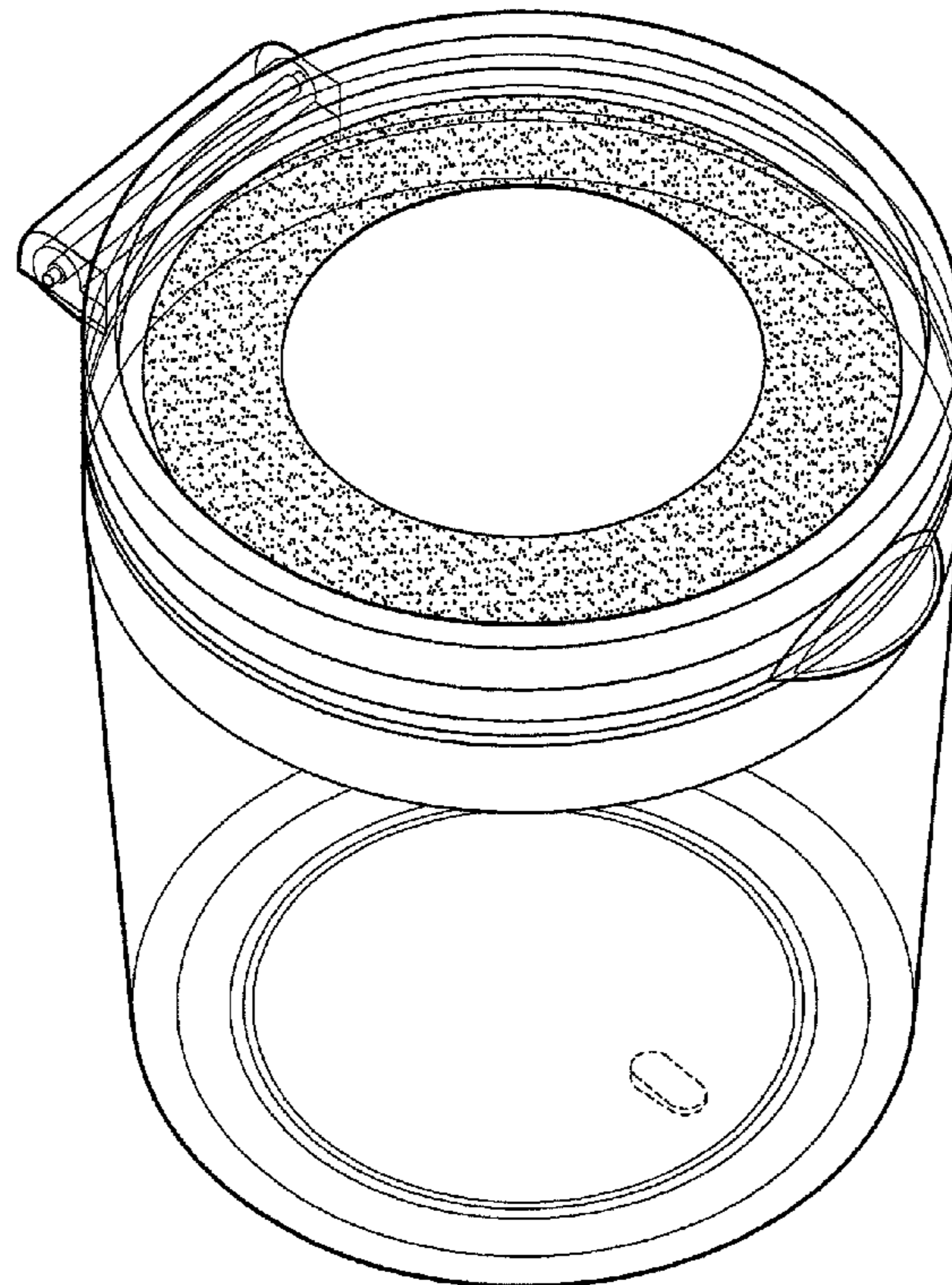
FIG. 11 is a rear view of the embodiment of FIG. 8.

FIG. 12 is a left side view of the embodiment of FIG. 8.

FIG. 13 is a top view of the embodiment of FIG. 8; and,

FIG. 14 is a bottom view of the embodiment of FIG. 8.

1 Claim, 14 Drawing Sheets



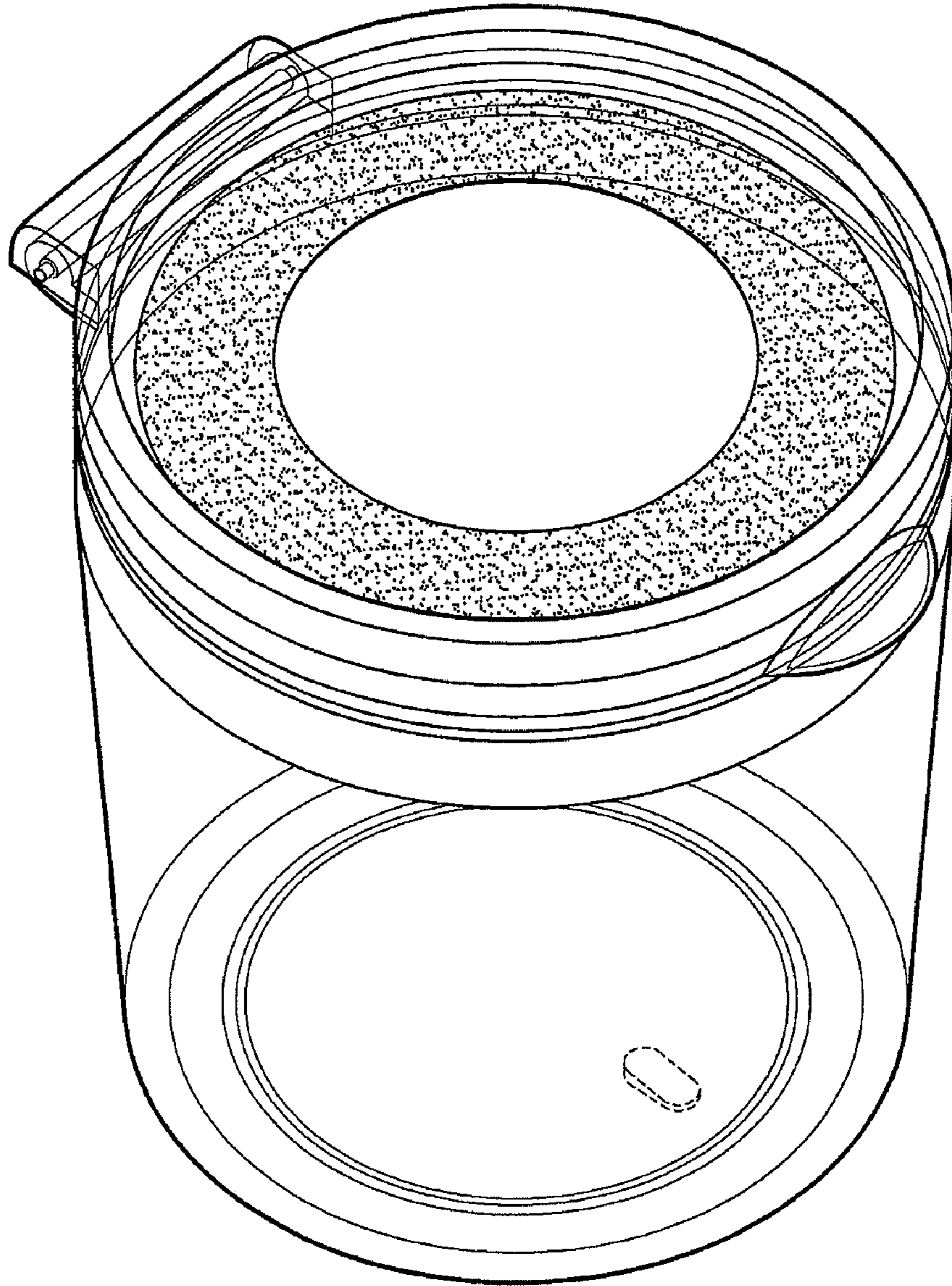


FIG. 1

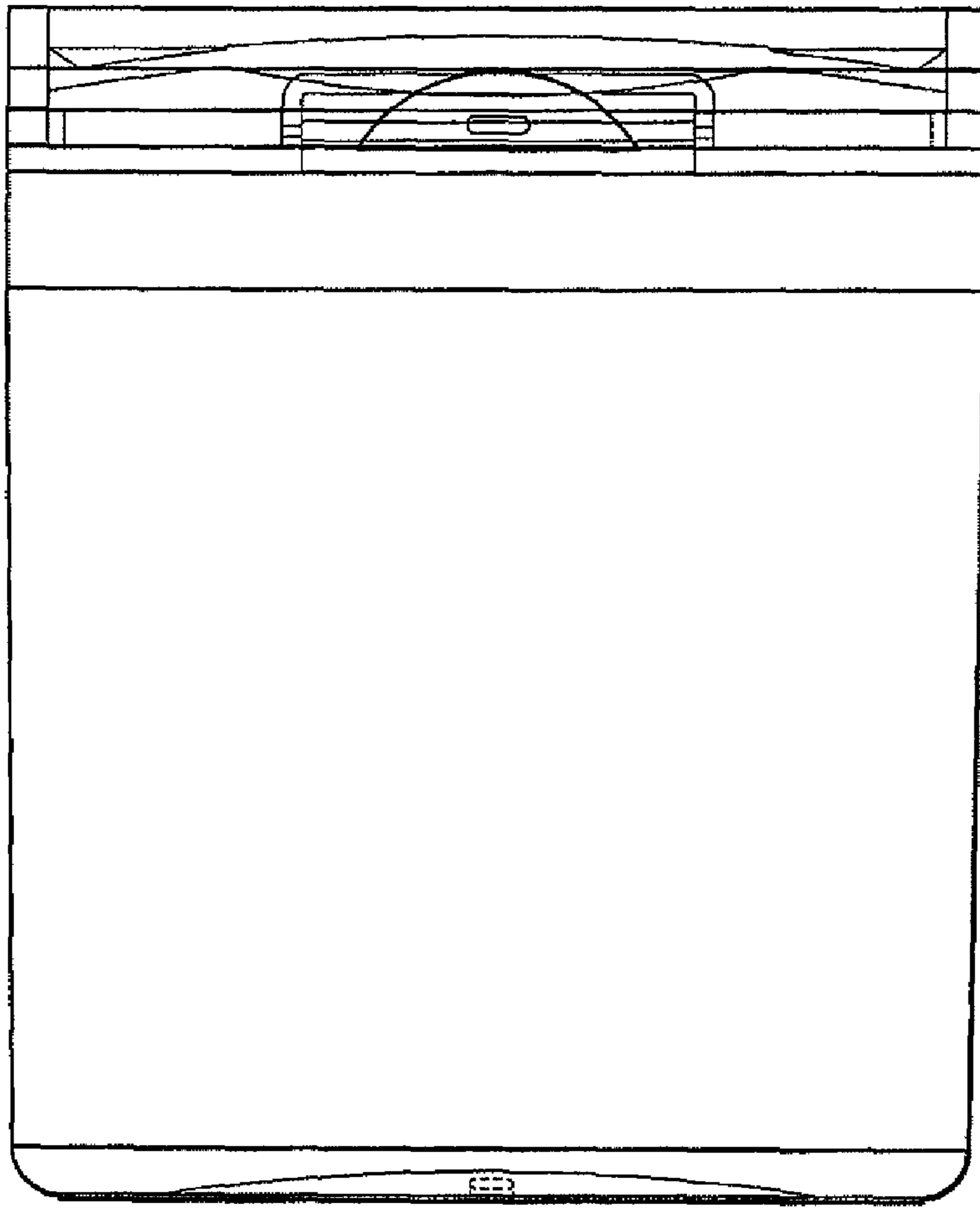


FIG. 2

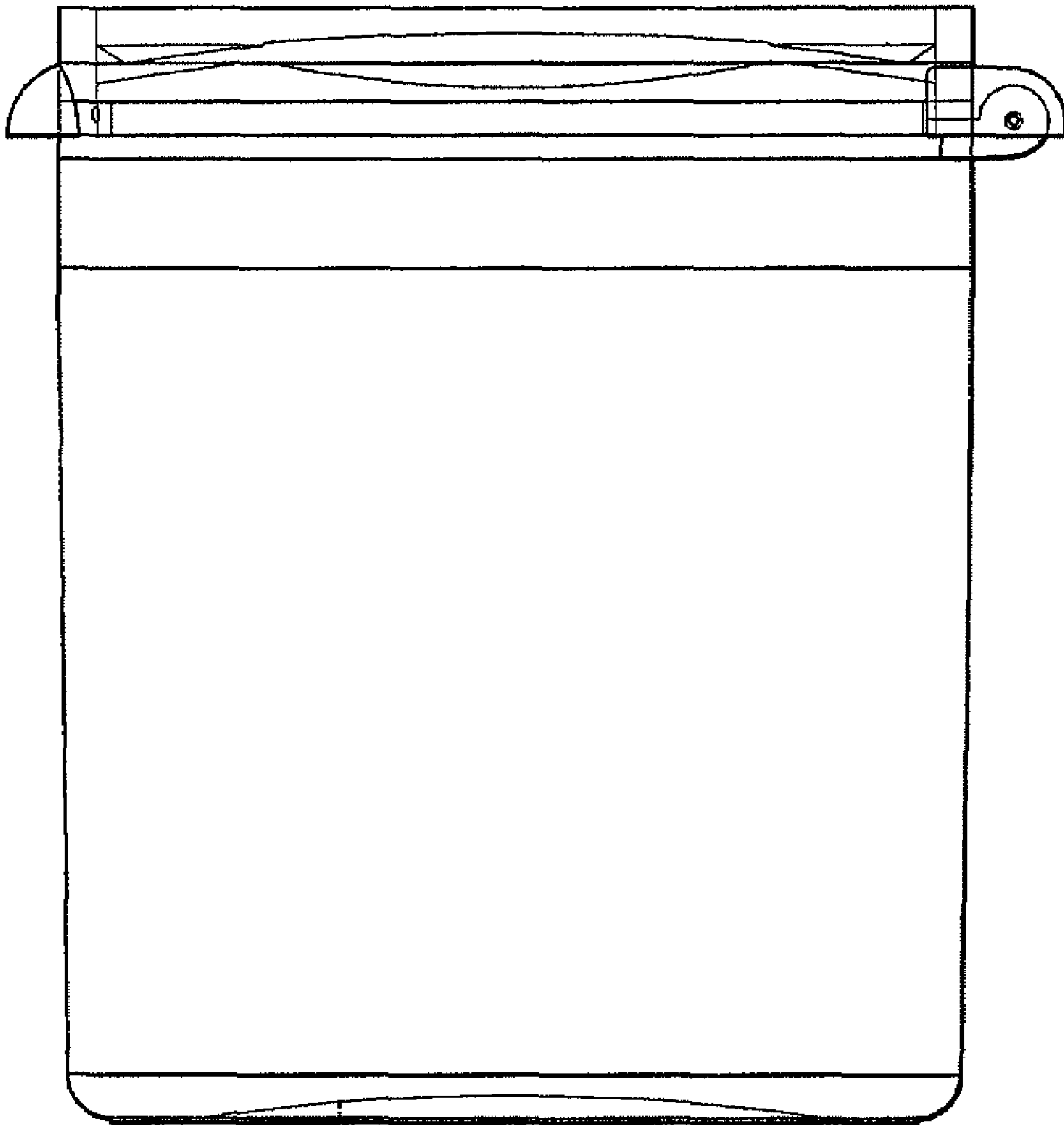


FIG. 3

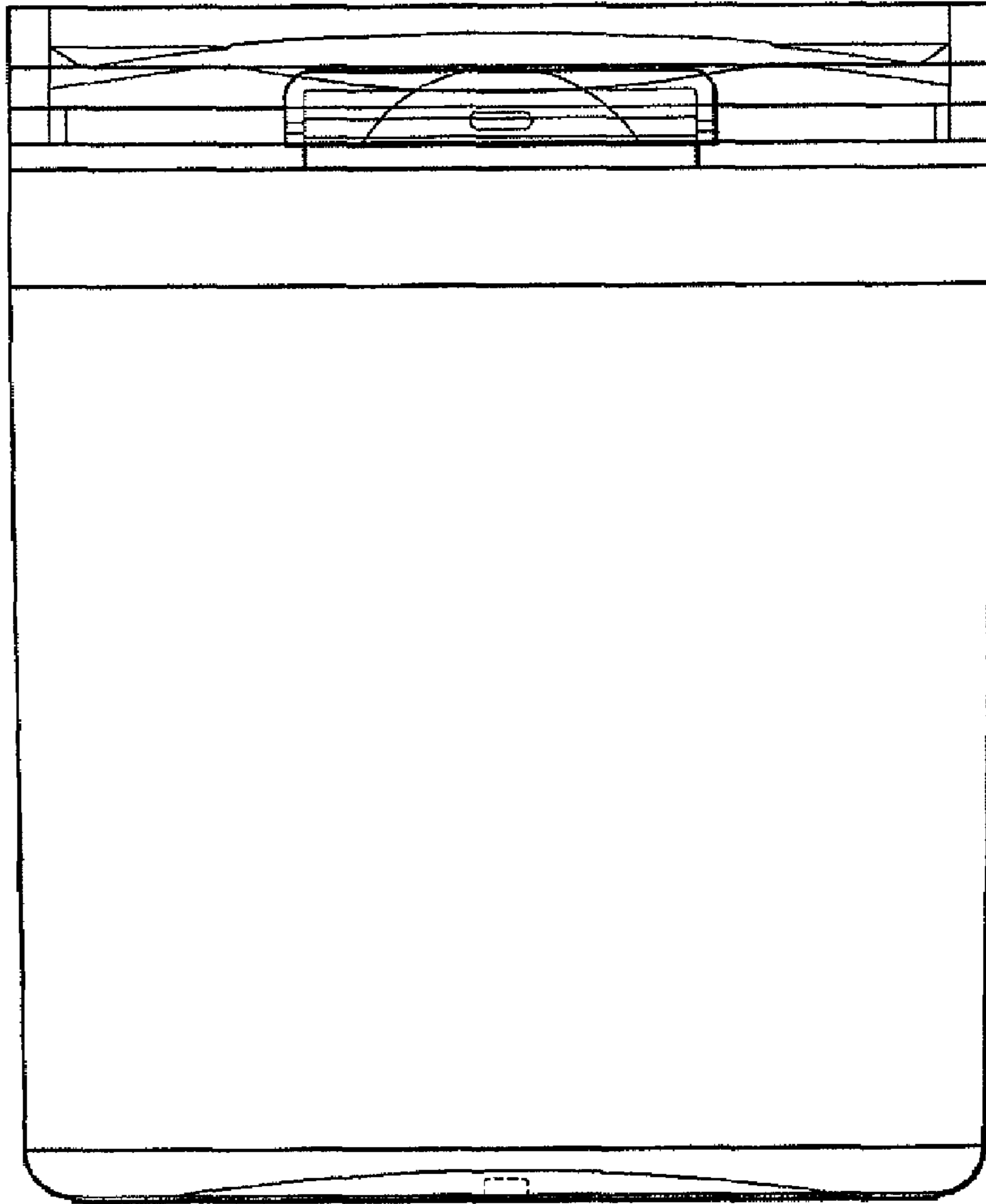


FIG. 4

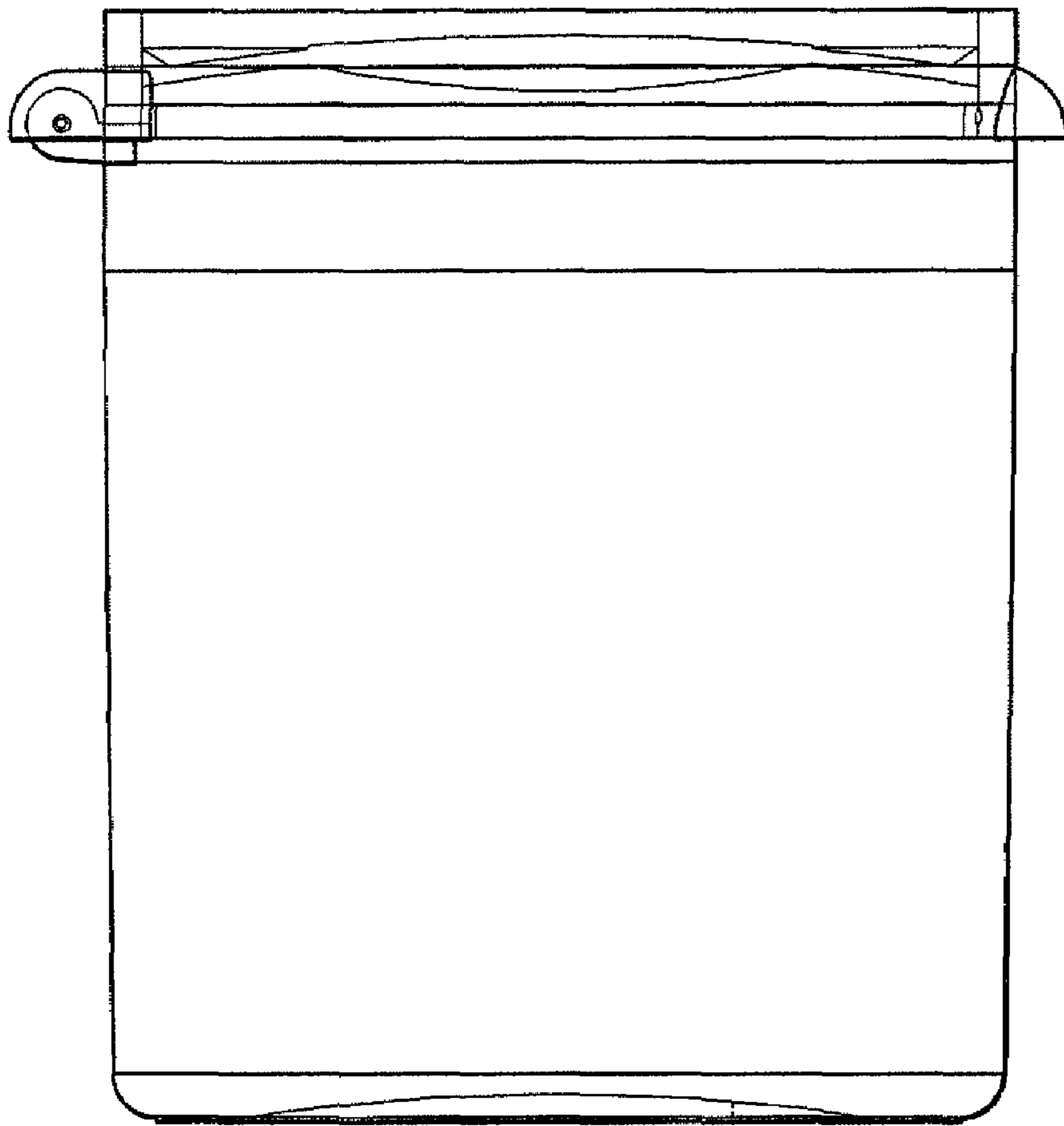


FIG. 5

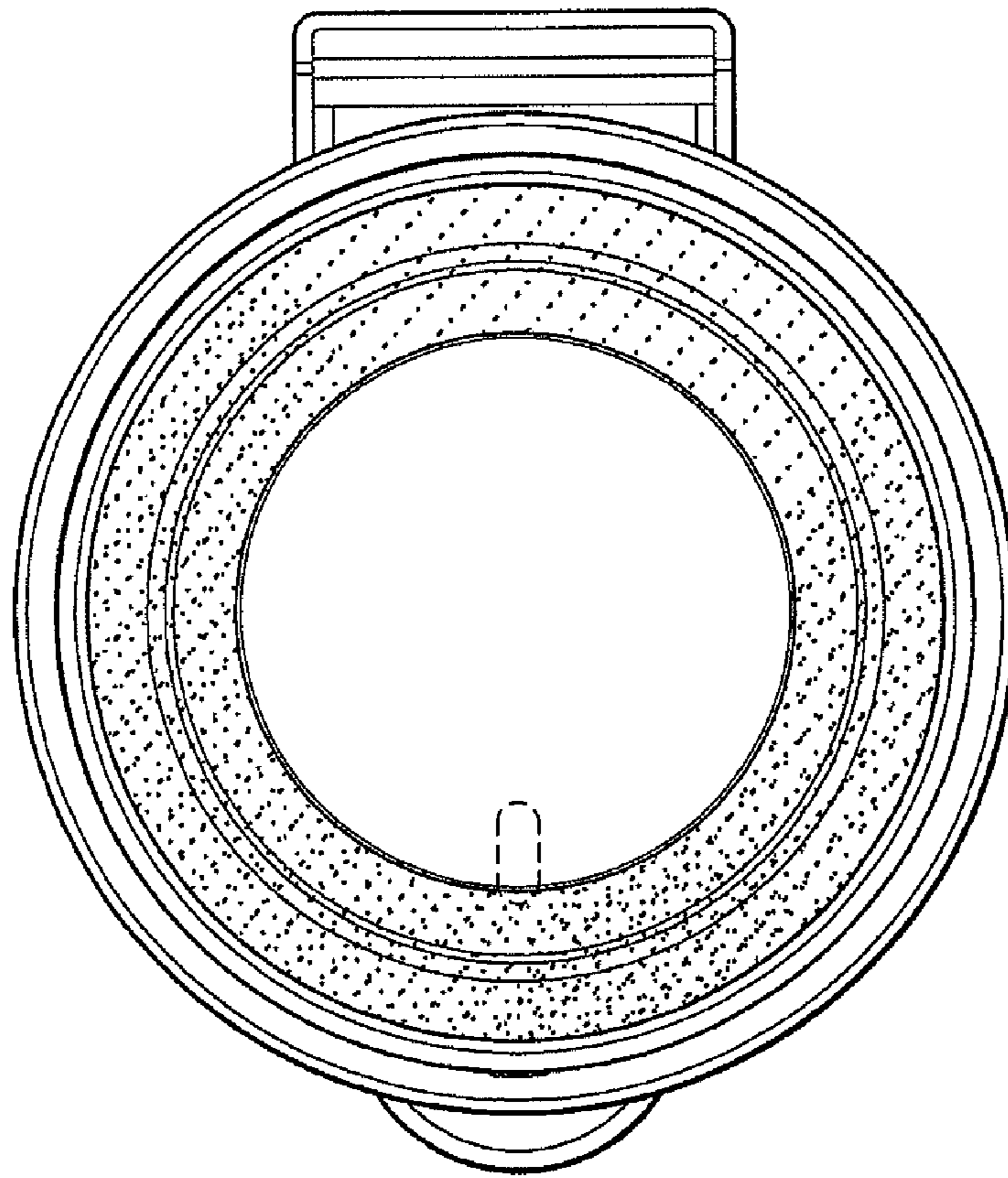


FIG. 6

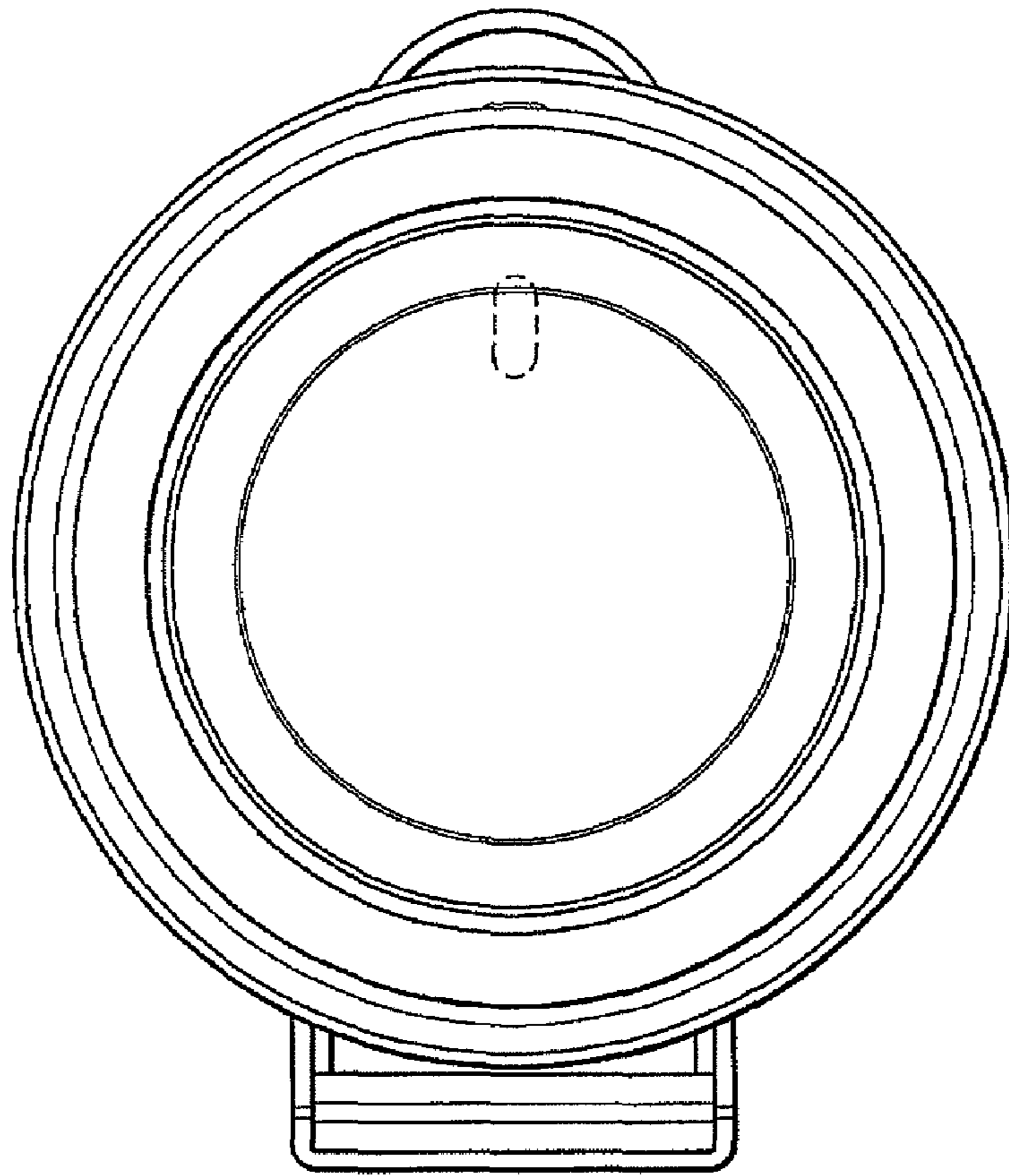


FIG. 7

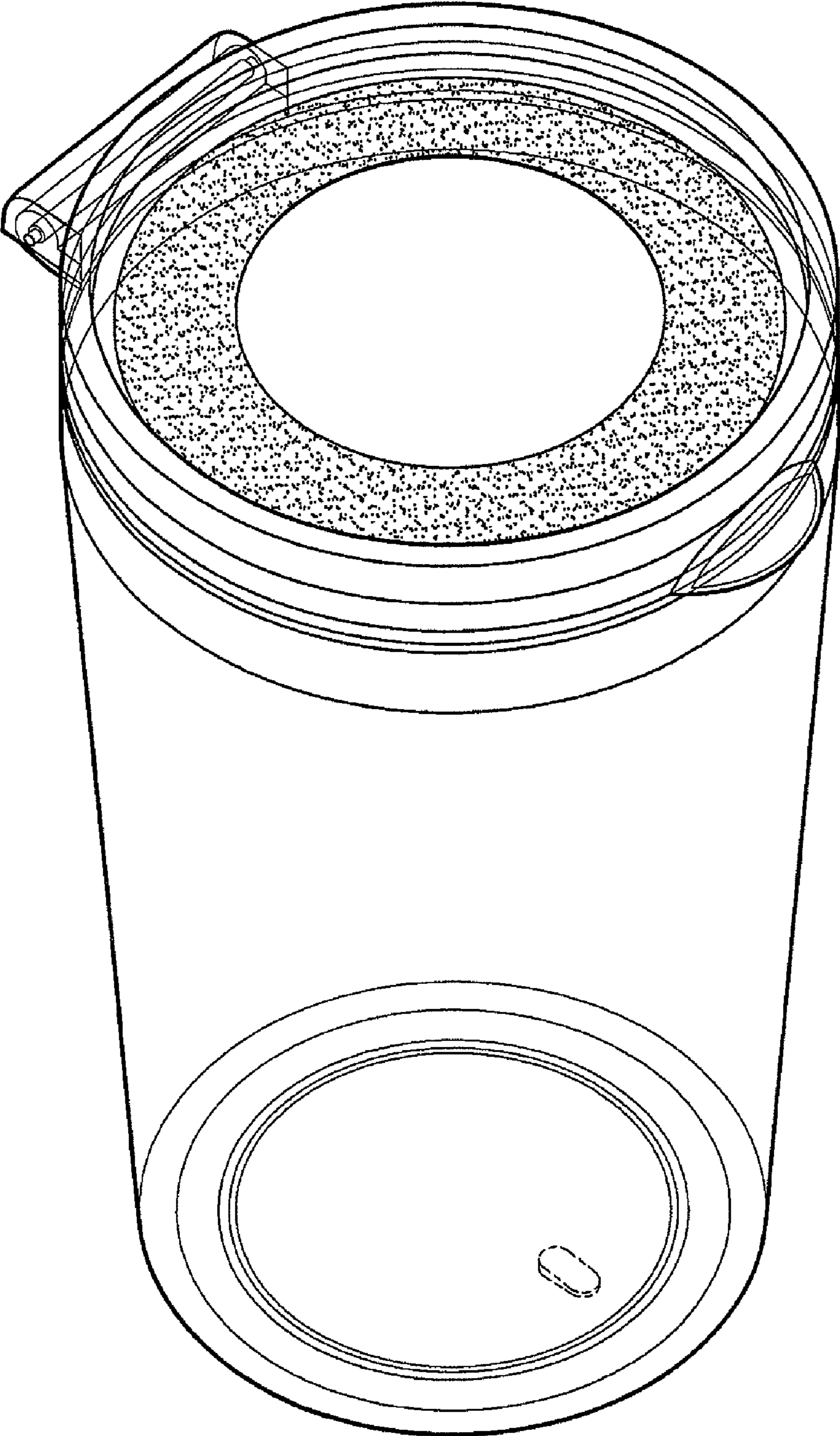


FIG. 8

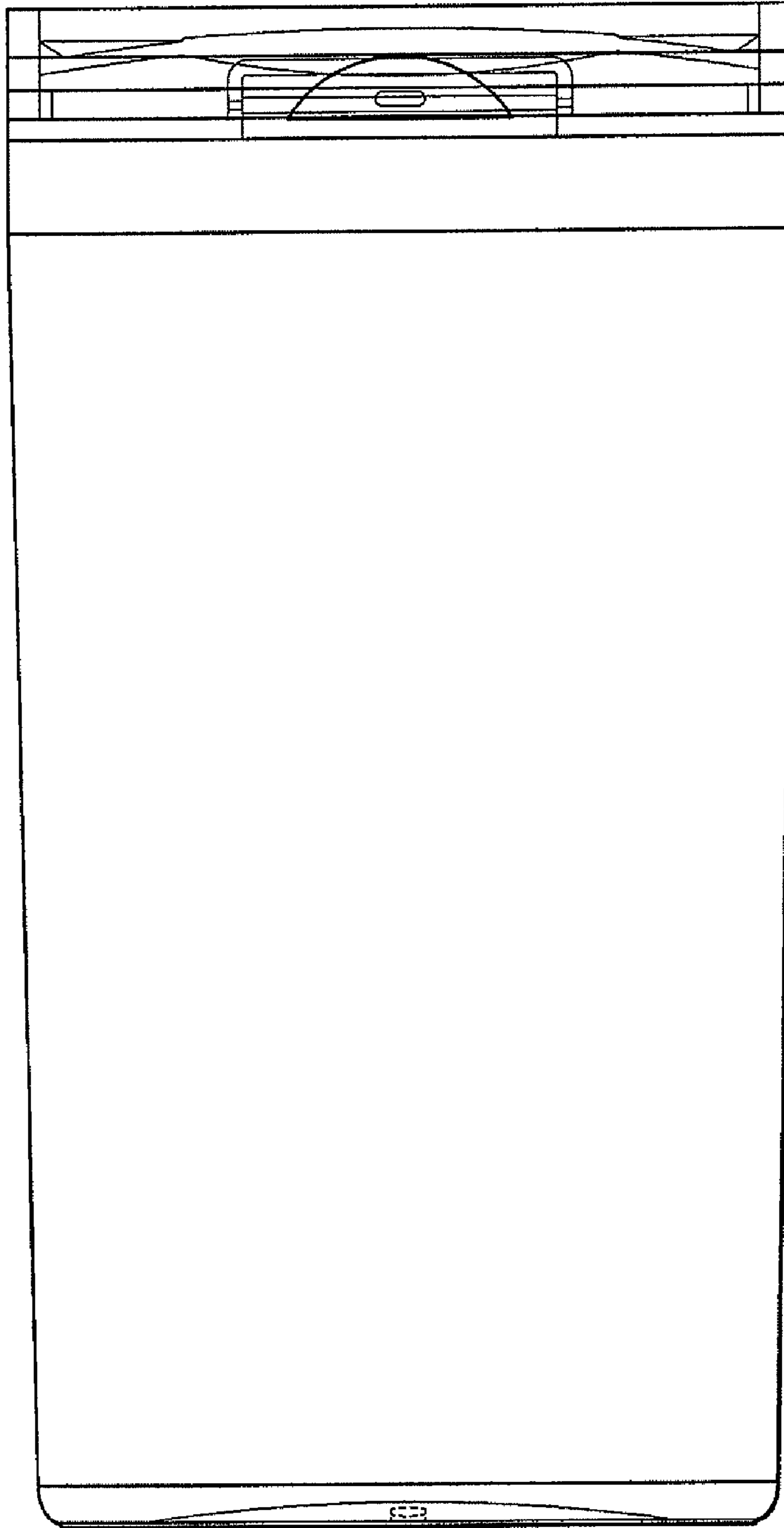


FIG. 9

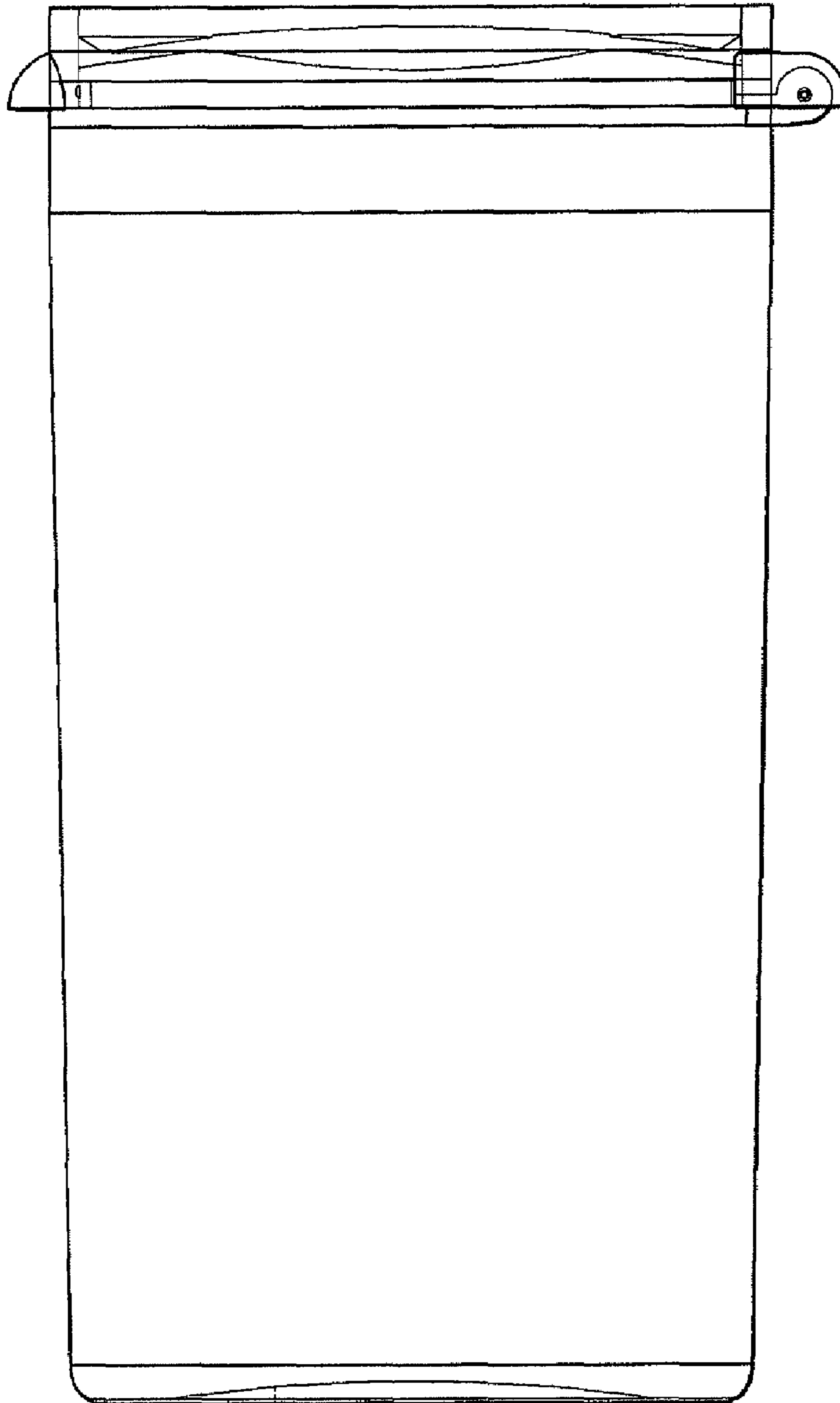


FIG. 10

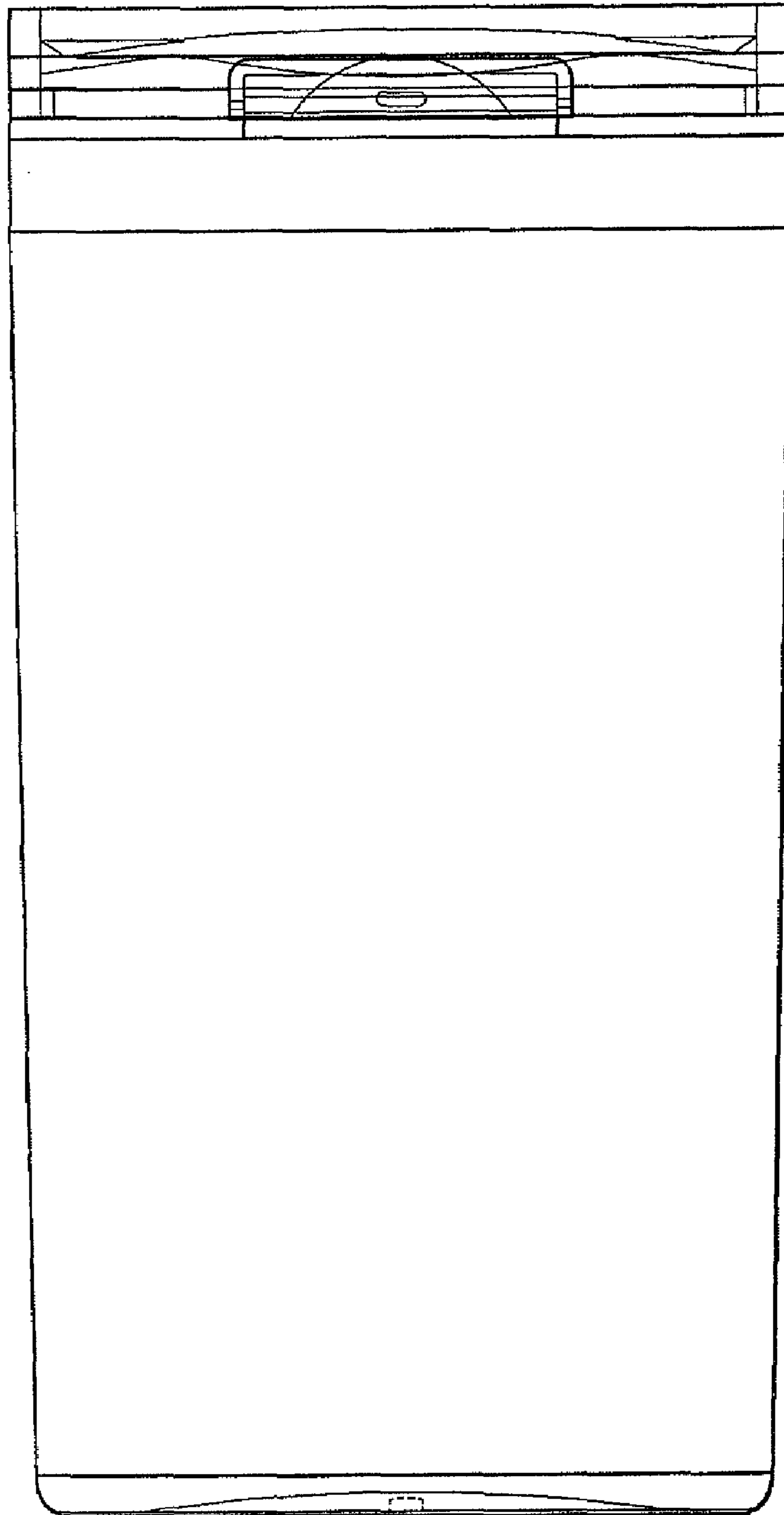


FIG. 11

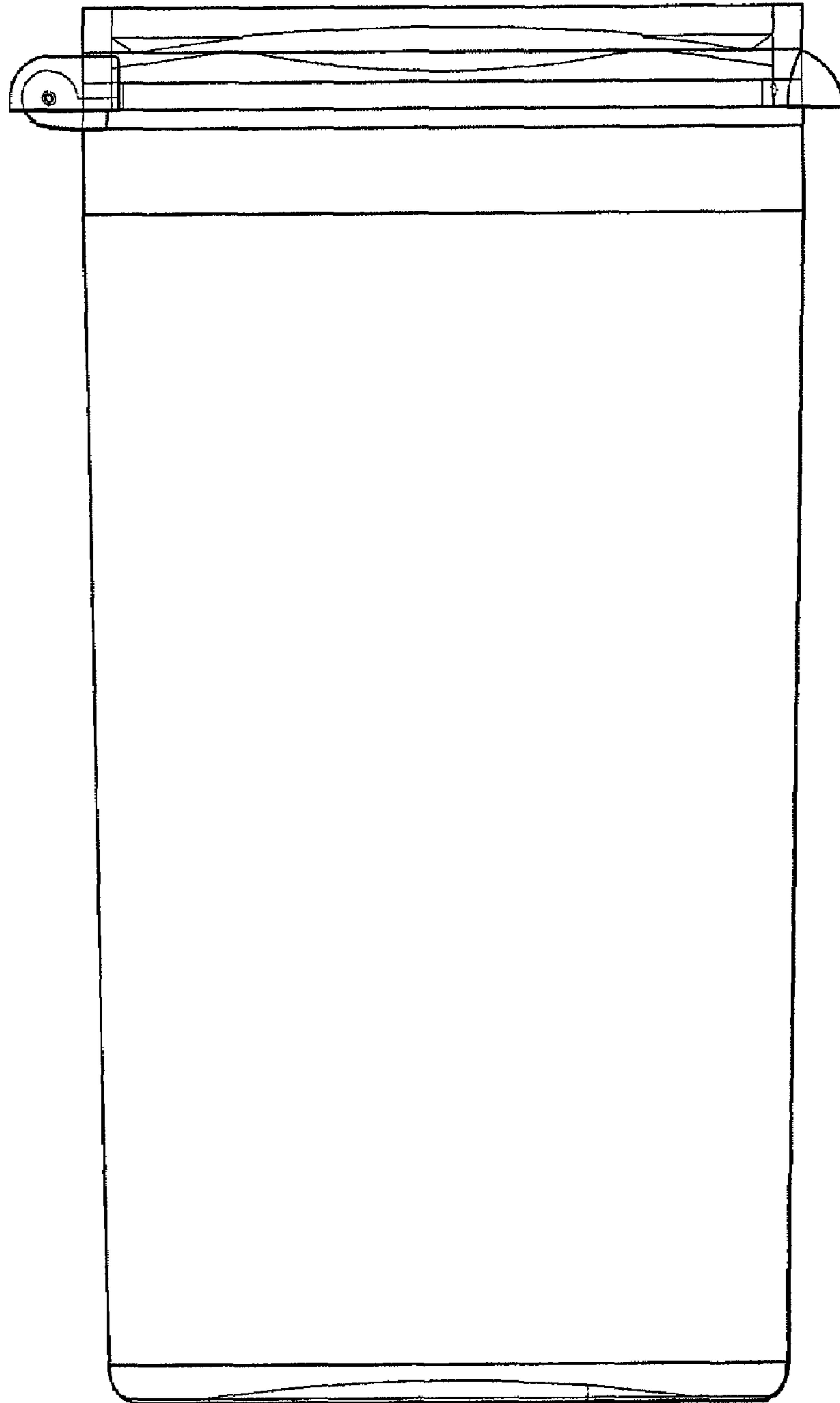


FIG. 12

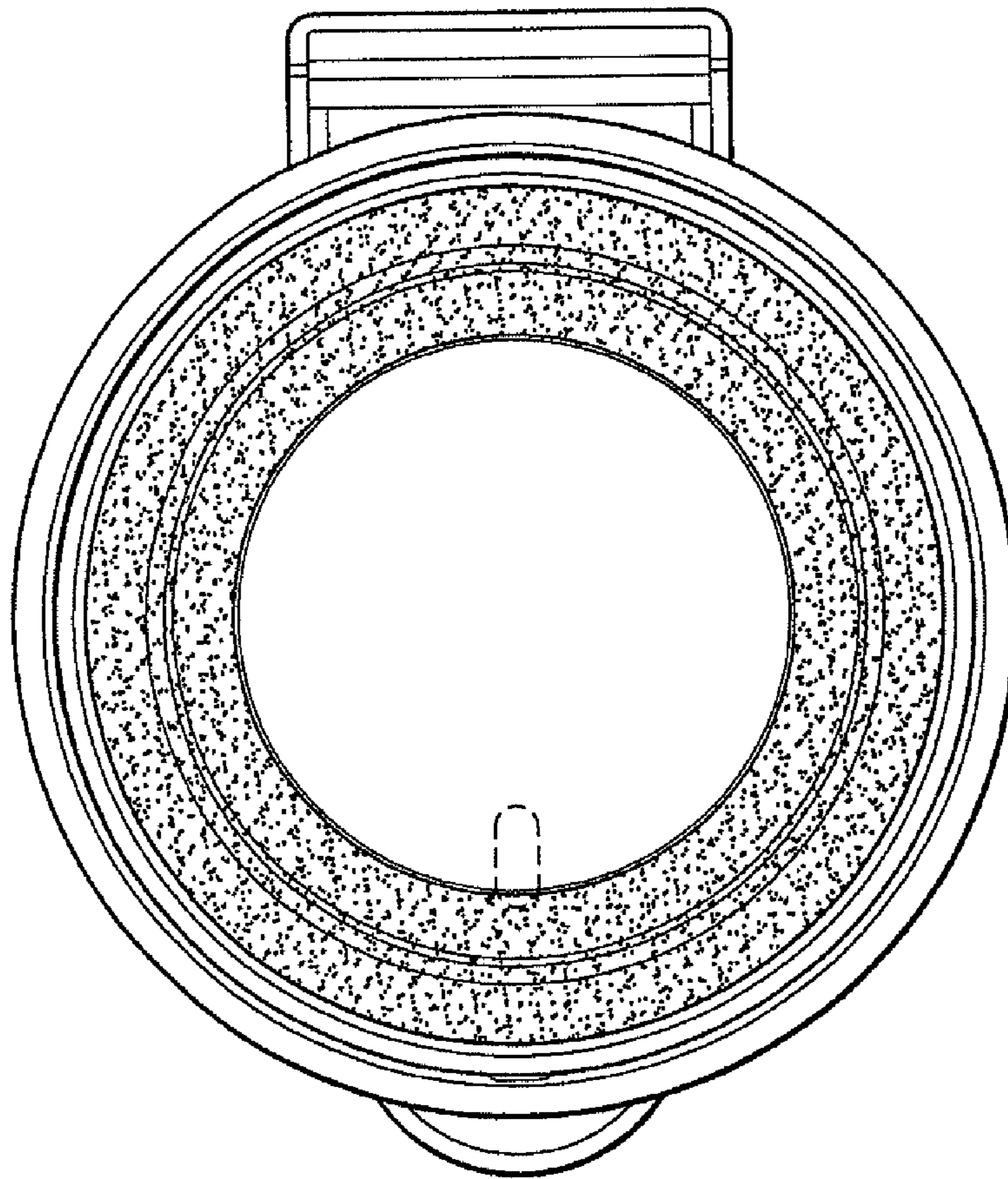


FIG. 13

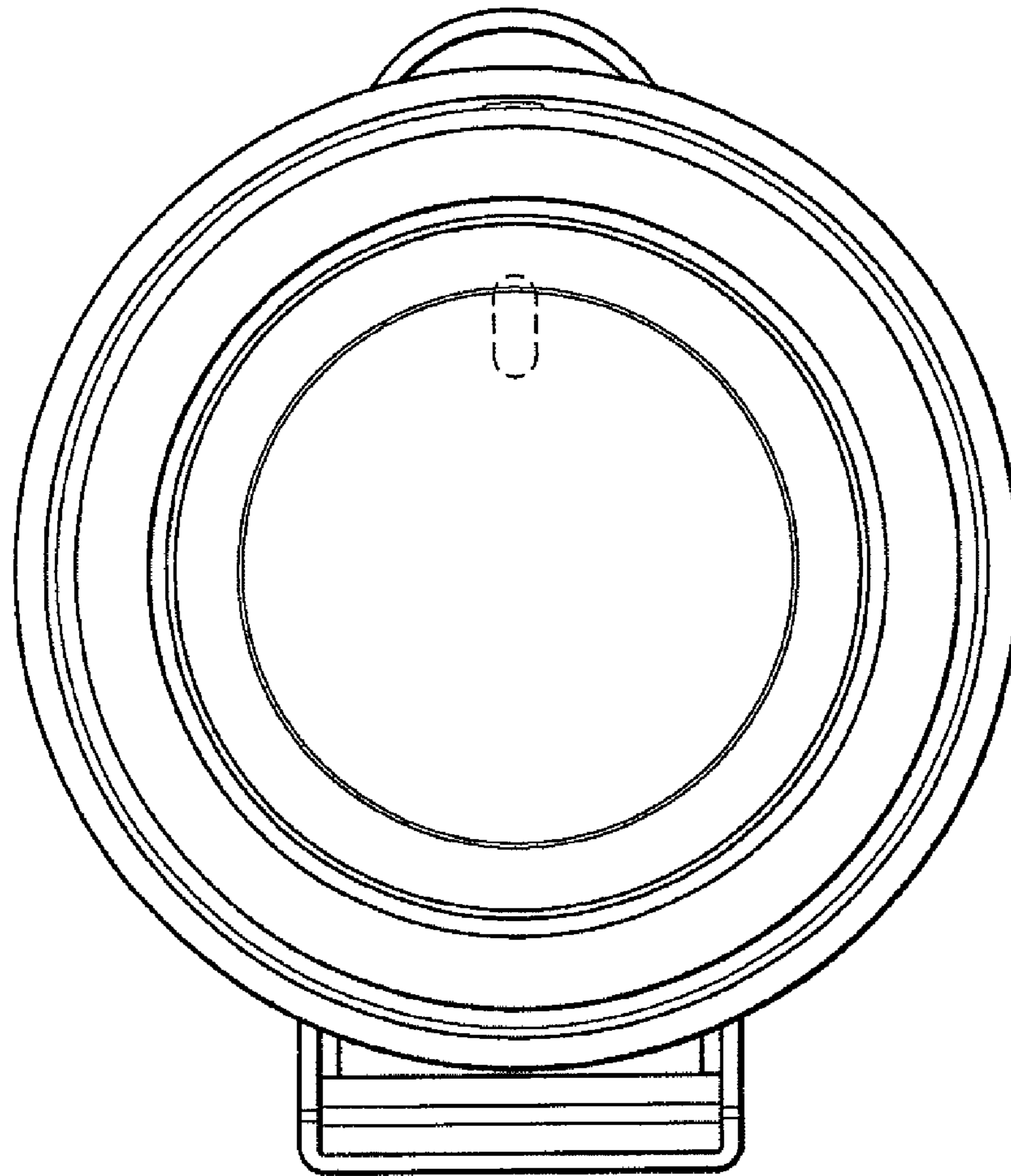


FIG. 14