



US00D590666S

(12) **United States Design Patent**  
**Wang**

(10) **Patent No.:** **US D590,666 S**  
(45) **Date of Patent:** **\*\* Apr. 21, 2009**

(54) **FOOD STORAGE CONTAINER**

(75) Inventor: **Soo Chang Wang**, Seoul (KR)  
(73) Assignee: **Korea Alphaline Co., Ltd.**, Seoul (KR)  
(\*\*) Term: **14 Years**  
(21) Appl. No.: **29/301,476**  
(22) Filed: **Mar. 4, 2008**  
(30) **Foreign Application Priority Data**  
Oct. 5, 2007 (KR) ..... 30-2007-0041403

(51) **LOC (9) Cl.** ..... **07-07**  
(52) **U.S. Cl.** ..... **D7/629**  
(58) **Field of Classification Search** ..... D7/601,  
D7/602, 629, 612-615, 538-542; 220/780-806,  
220/574-575, 326; D9/425-432  
See application file for complete search history.

(56) **References Cited**

U.S. PATENT DOCUMENTS  
4,976,370 A \* 12/1990 Cassel ..... 220/792  
(Continued)

*Primary Examiner*—Terry A Wallace  
(74) *Attorney, Agent, or Firm*—W. Norman Roth

(57) **CLAIM**

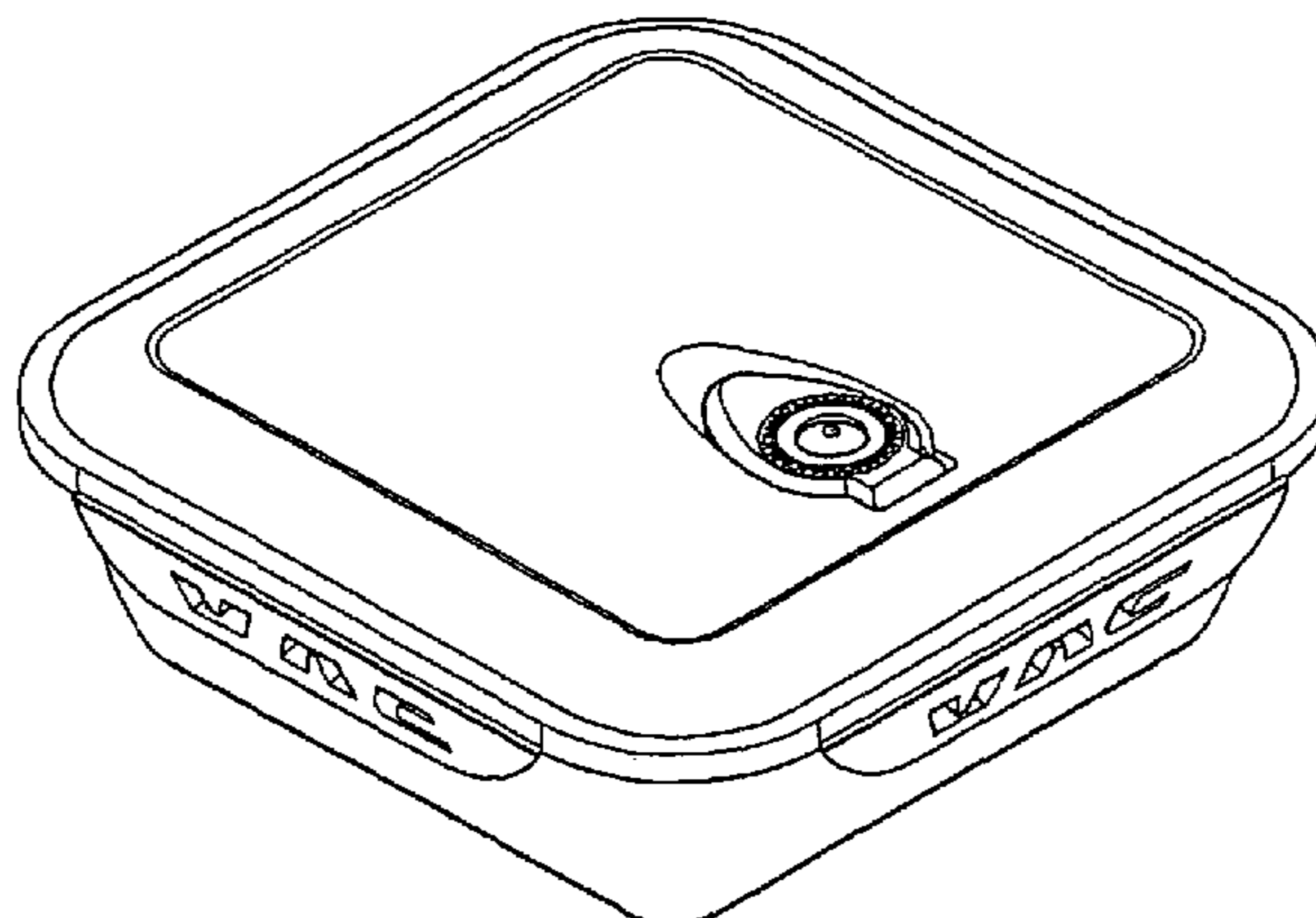
The ornamental design for a food storage container, as shown.

**DESCRIPTION**

FIG. 1 is a perspective view of a container lid of my new design;  
FIG. 2 is a front elevation view of the lid of FIG. 1 of my new design;  
FIG. 3 is a rear elevation view of the lid of FIG. 1 of my new design;  
FIG. 4 is a left side elevation view of the lid of FIG. 1 of my new design;  
FIG. 5 is a right side elevation view of the lid of FIG. 1 of my new design;

FIG. 6 is a top plan view of the lid of FIG. 1 of my new design;  
FIG. 7 is a bottom plan view of the lid of FIG. 1 of my new design;  
FIG. 8 is a perspective view of a container body of my new design;  
FIG. 9 is a front elevation view of the container body of FIG. 8 of my new design;  
FIG. 10 is a rear elevation view of the container body of FIG. 8 of my new design;  
FIG. 11 is a left side elevation view of the container body of FIG. 8 of my new design;  
FIG. 12 is a right side elevation view of the container body of FIG. 8 of my new design;  
FIG. 13 is a top plan view of the container body of FIG. 8 of my new design;  
FIG. 14 is a bottom plan view of the container body of FIG. 8 of my new design;  
FIG. 15 is a perspective view of my new design showing the cover of FIG. 1 affixed to the container body of FIG. 8;  
FIG. 16 is a front side elevation view of my new design showing the cover of FIG. 1 affixed to the container body of FIG. 8;  
FIG. 17 is a rear elevation view of my new design showing the cover of FIG. 1 affixed to the container body of FIG. 8;  
FIG. 19 is a right side elevation view of my new design showing the cover of FIG. 1 affixed to the container body of FIG. 8;  
FIG. 20 is a top plan view of my new design showing the cover of FIG. 1 affixed to the container body of FIG. 8;  
FIG. 21 is a bottom plan view of my new design showing the cover of FIG. 1 affixed to the container body of FIG. 8;  
FIG. 22 is an exploded perspective view of my new design showing the cover of FIG. 1 affixed to the container body of FIG. 8; and,  
FIG. 23 is a cross section view of my new design taken at line A—A of FIG. 20.  
The cover and container body are shown separately for clarity of illustration.

**1 Claim, 11 Drawing Sheets**



# US D590,666 S

Page 2

---

## U.S. PATENT DOCUMENTS

5,641,065	A *	6/1997	Owens et al. ....	206/370	6,793,096	B1 *	9/2004	Seok .....	220/788
6,415,947	B1 *	7/2002	Kim .....	220/788	D521,812	S *	5/2006	Kim .....	D7/629
D479,954	S *	9/2003	Kim .....	D7/629	D544,762	S *	6/2007	Zimmerman .....	D7/629
D481,910	S *	11/2003	Kim .....	D7/629	2004/0084464	A1 *	5/2004	Koo .....	220/784
D490,277	S *	5/2004	Kim .....	D7/629	2005/0006390	A1 *	1/2005	Wang .....	220/326
D493,073	S *	7/2004	Kim .....	D7/629	2005/0035125	A1 *	2/2005	Bae .....	220/326

\* cited by examiner

Fig 1

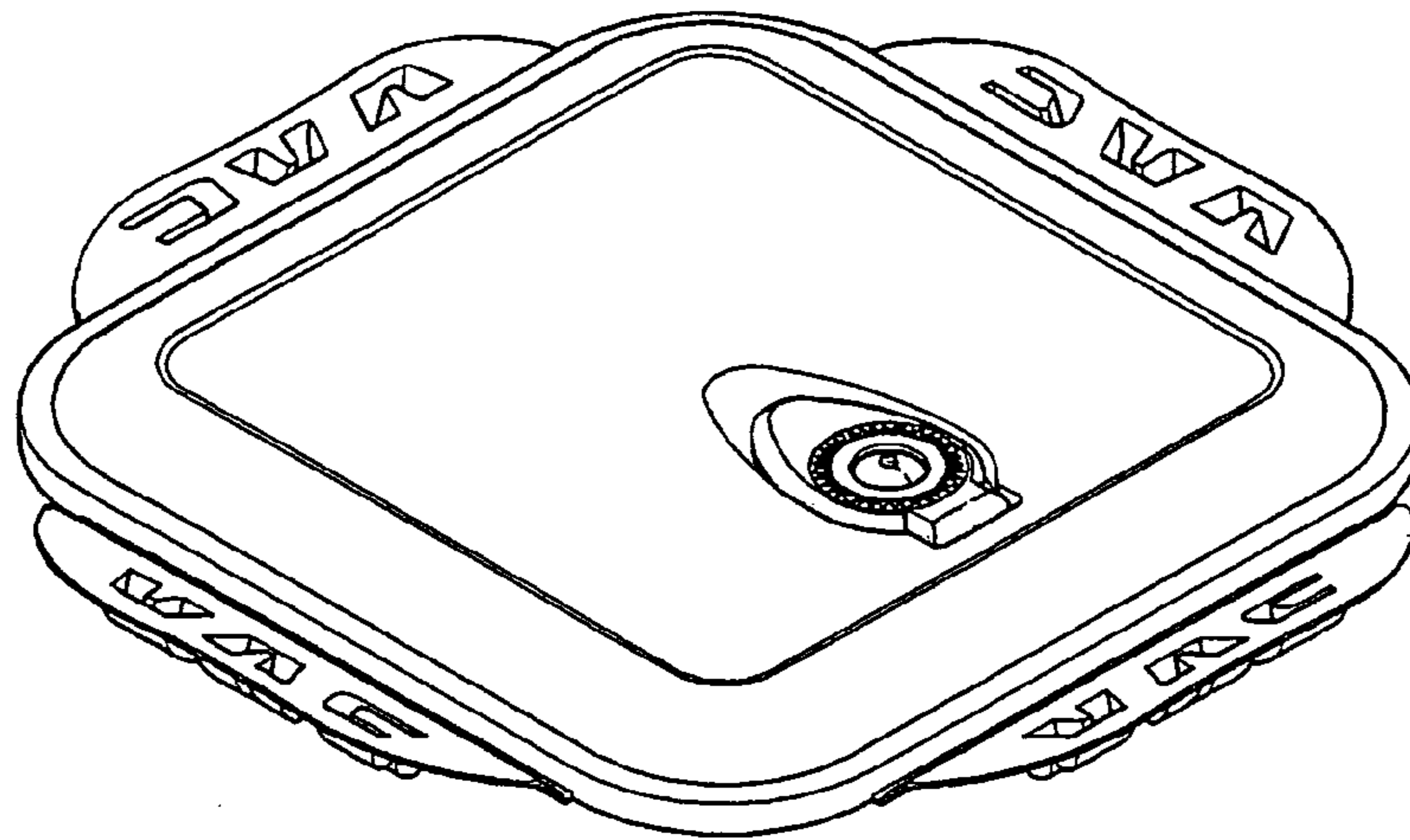


Fig 2



Fig 3

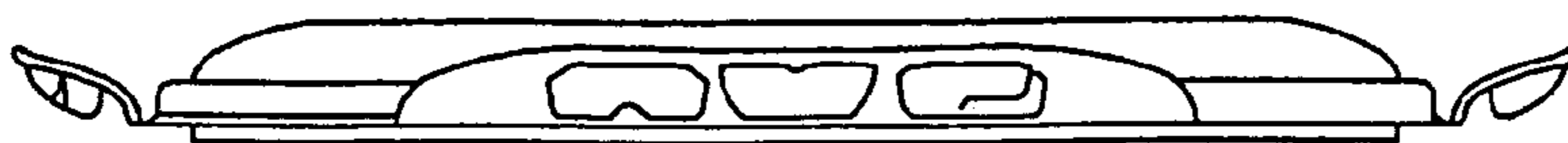


Fig 4



Fig 5



Fig 6

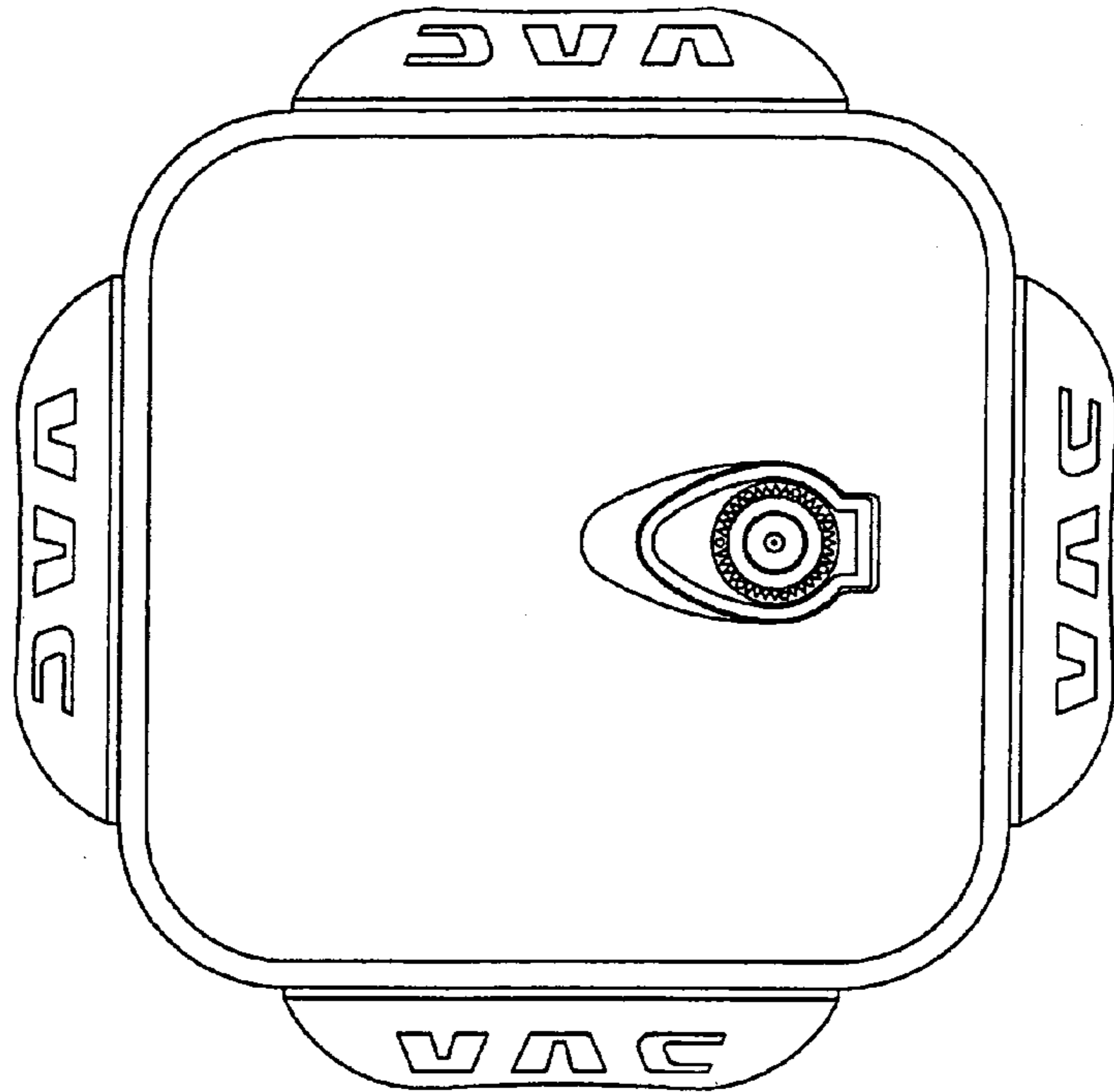


Fig 7

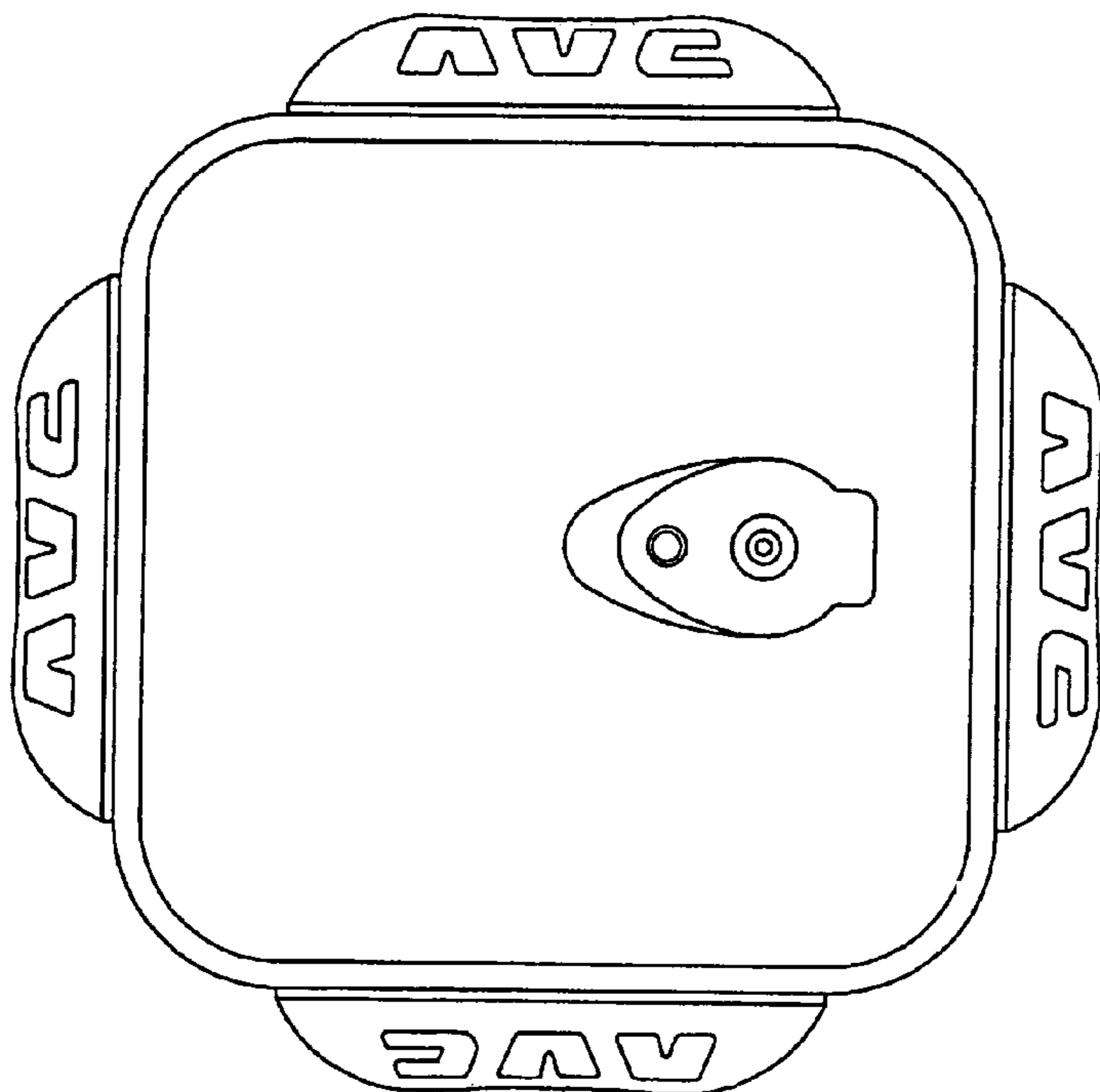


Fig 8

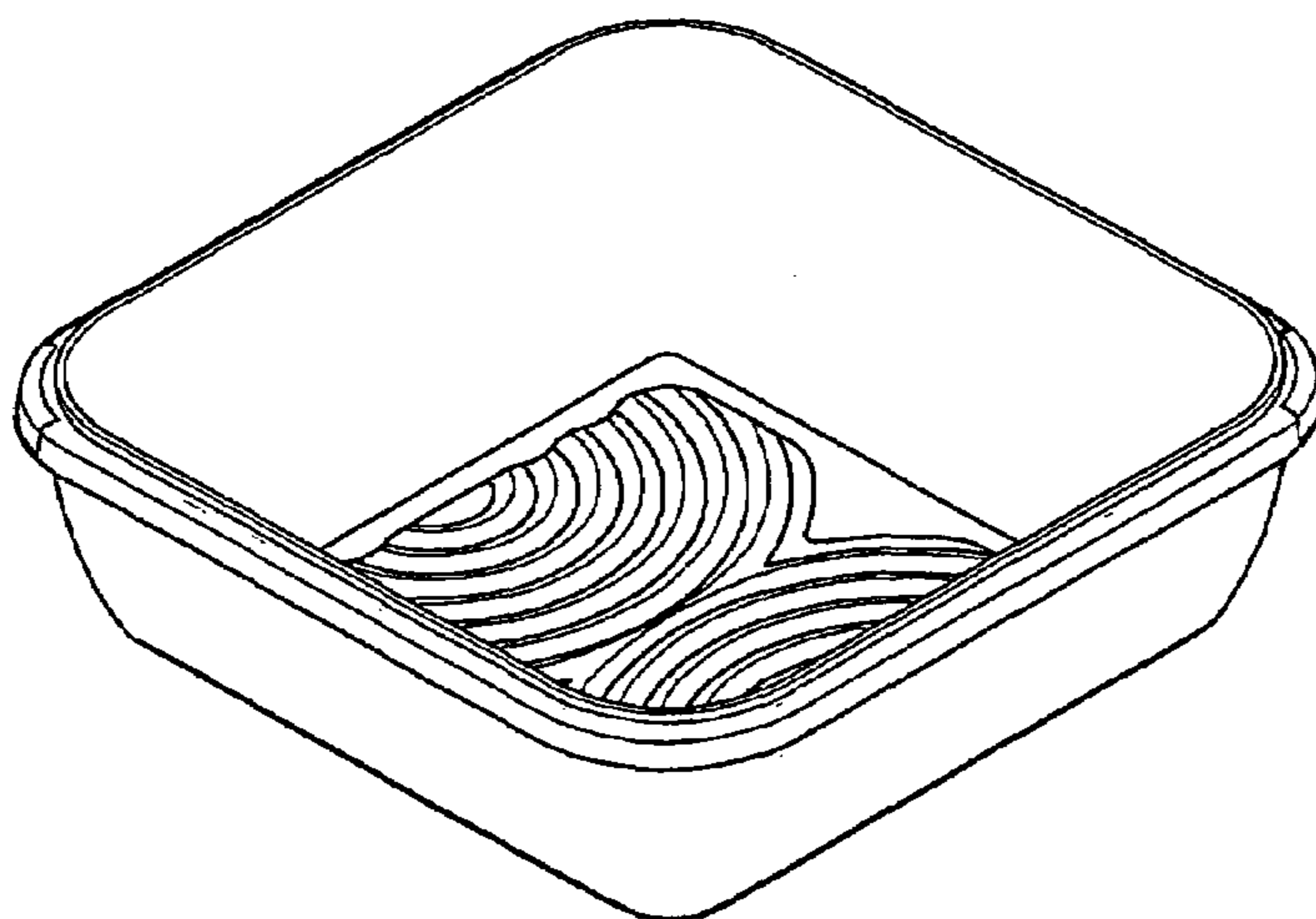


Fig 9

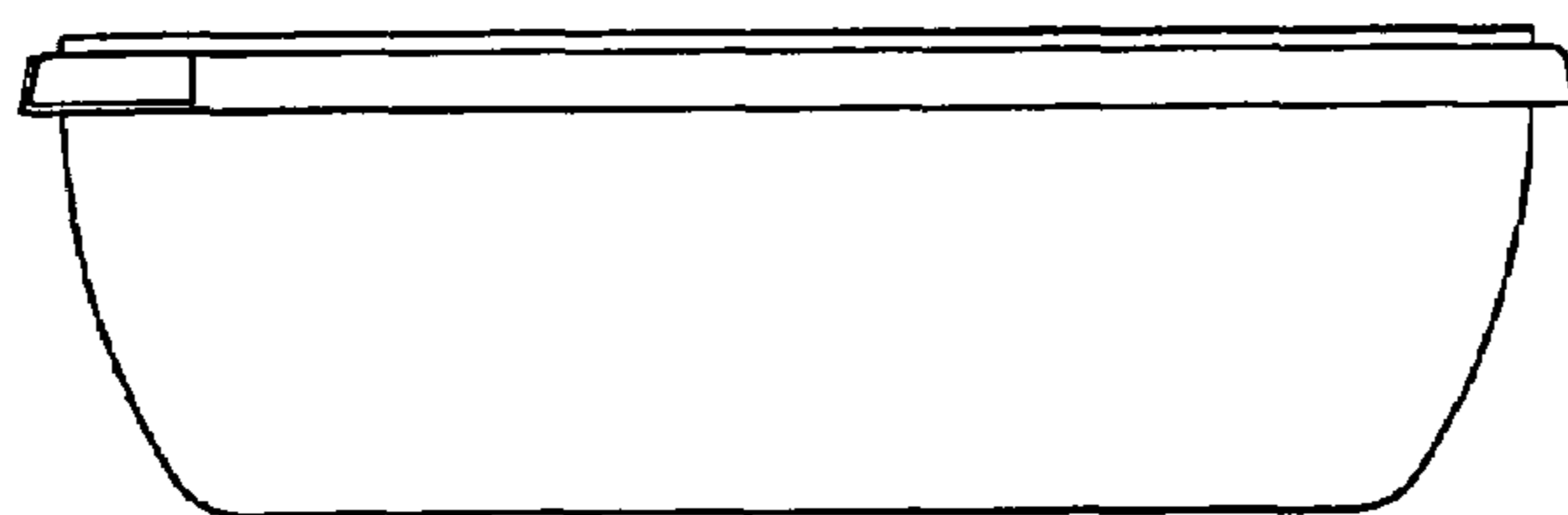


Fig 10

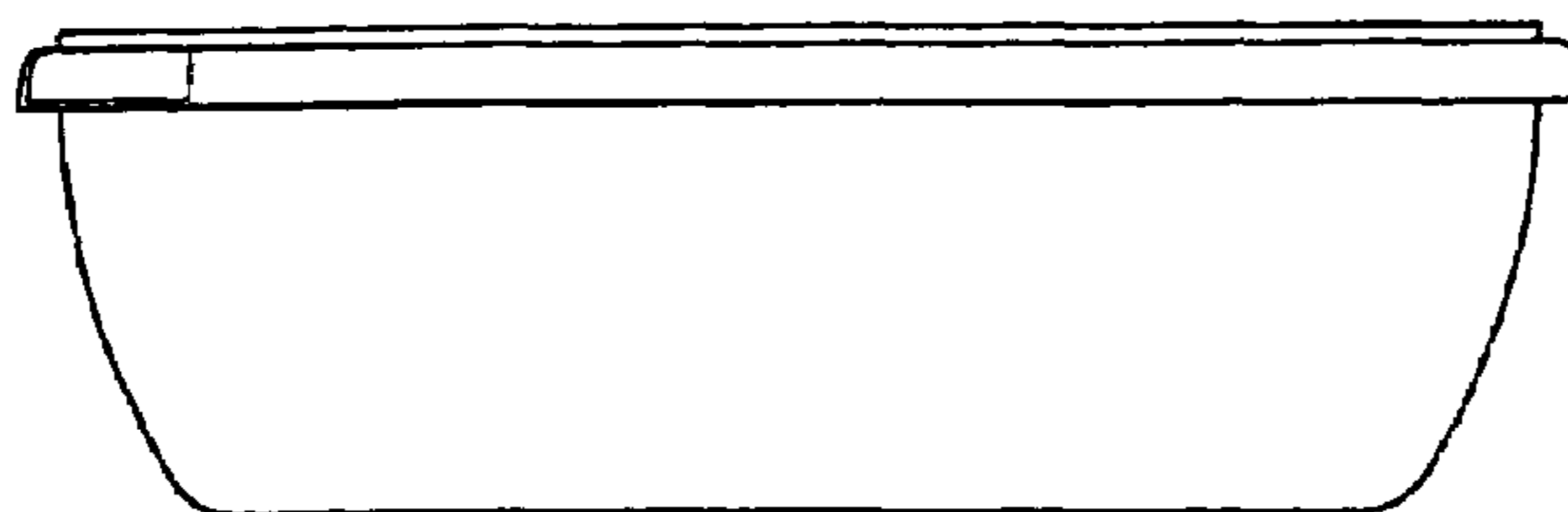


Fig 11

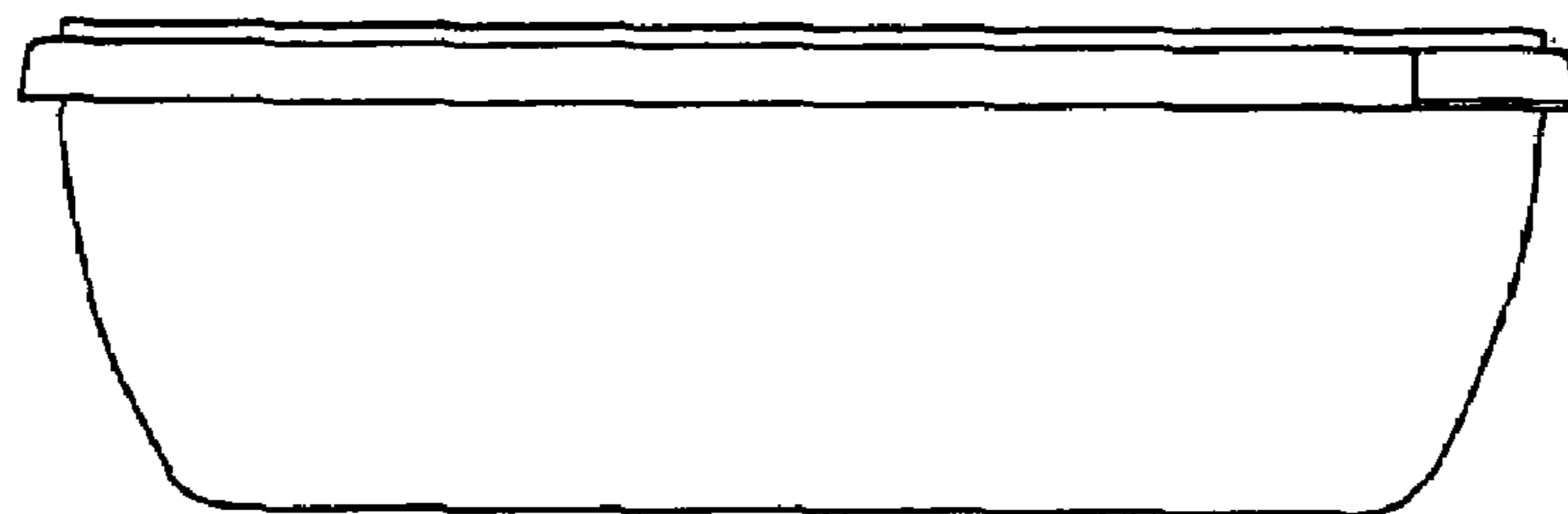


Fig 12

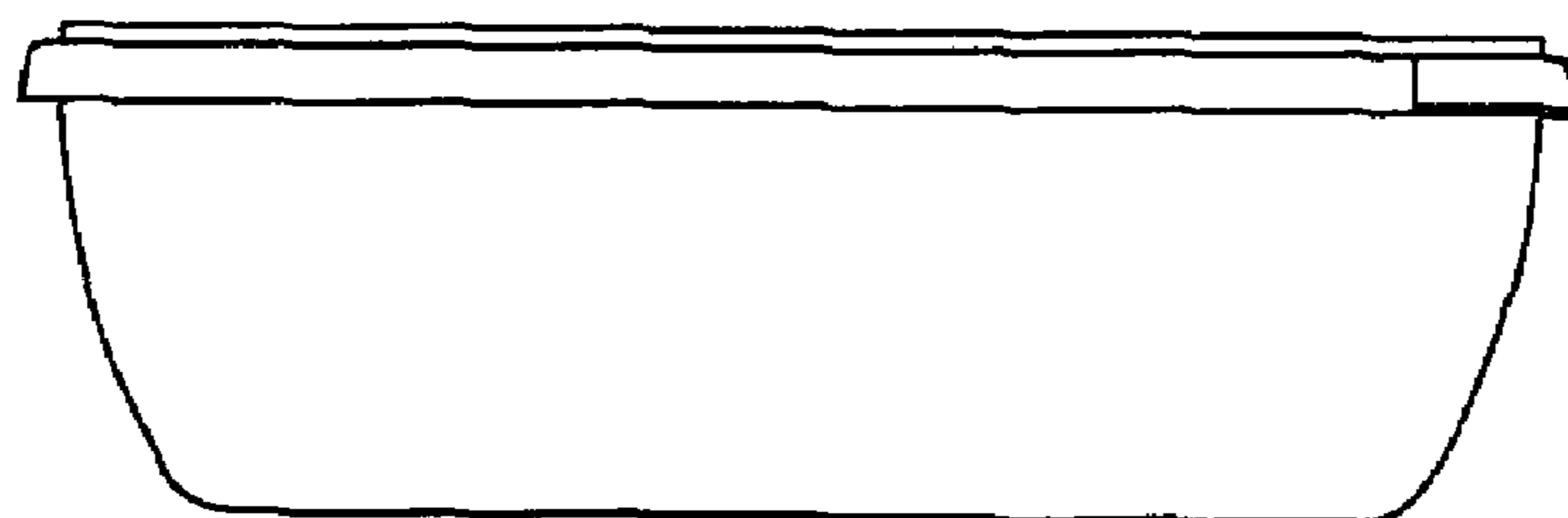


Fig 13

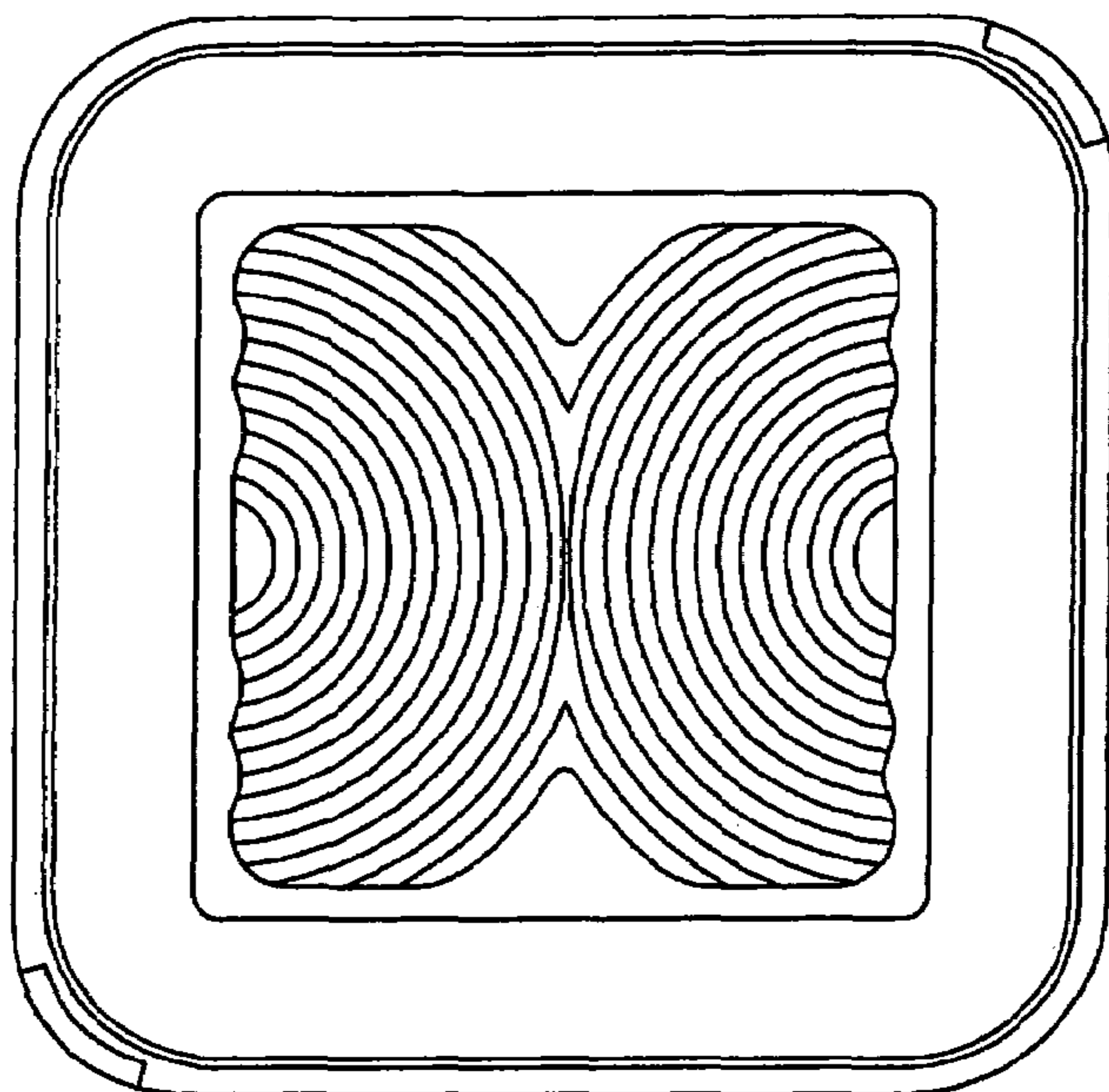


Fig 14

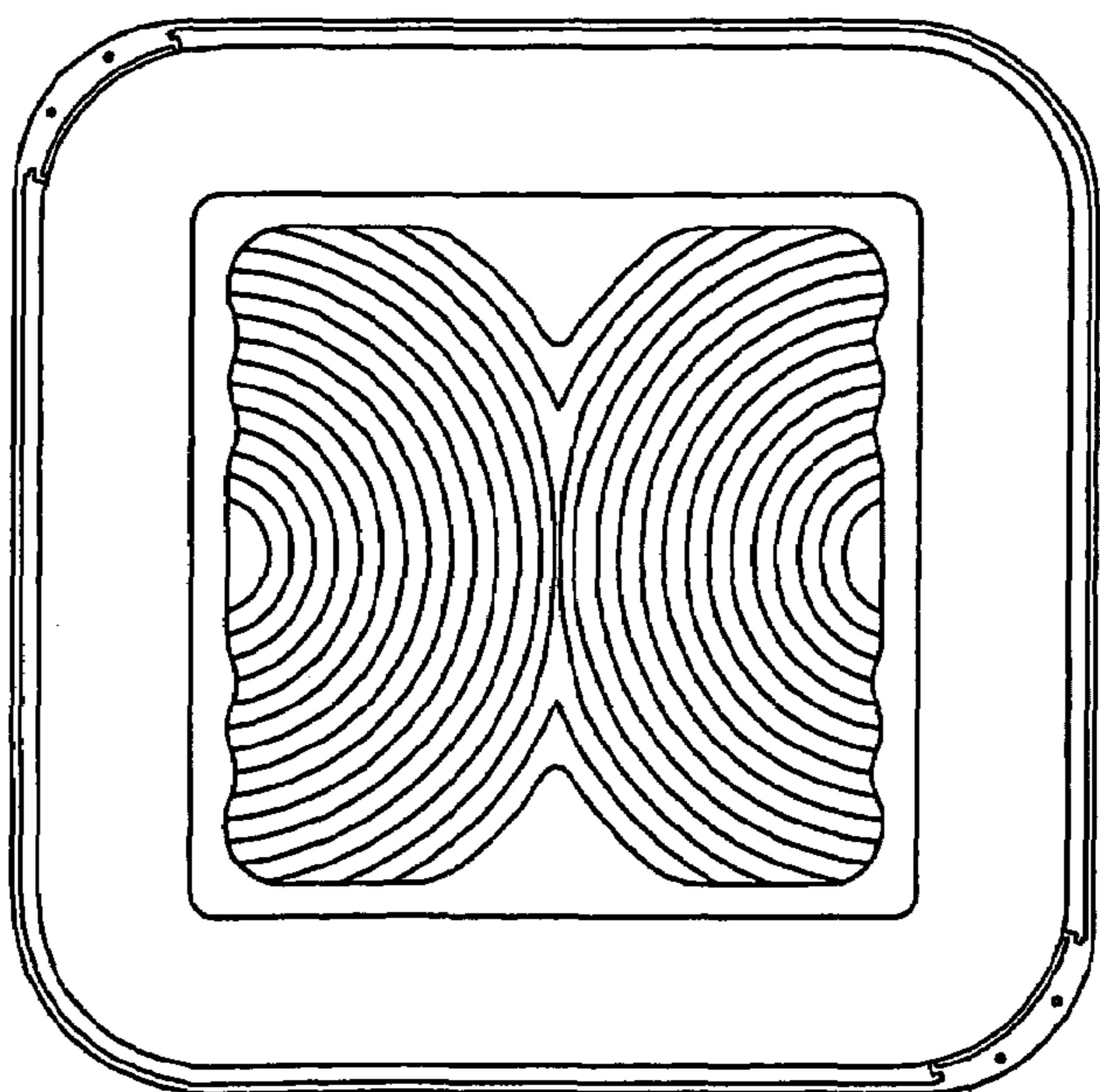




Fig 15

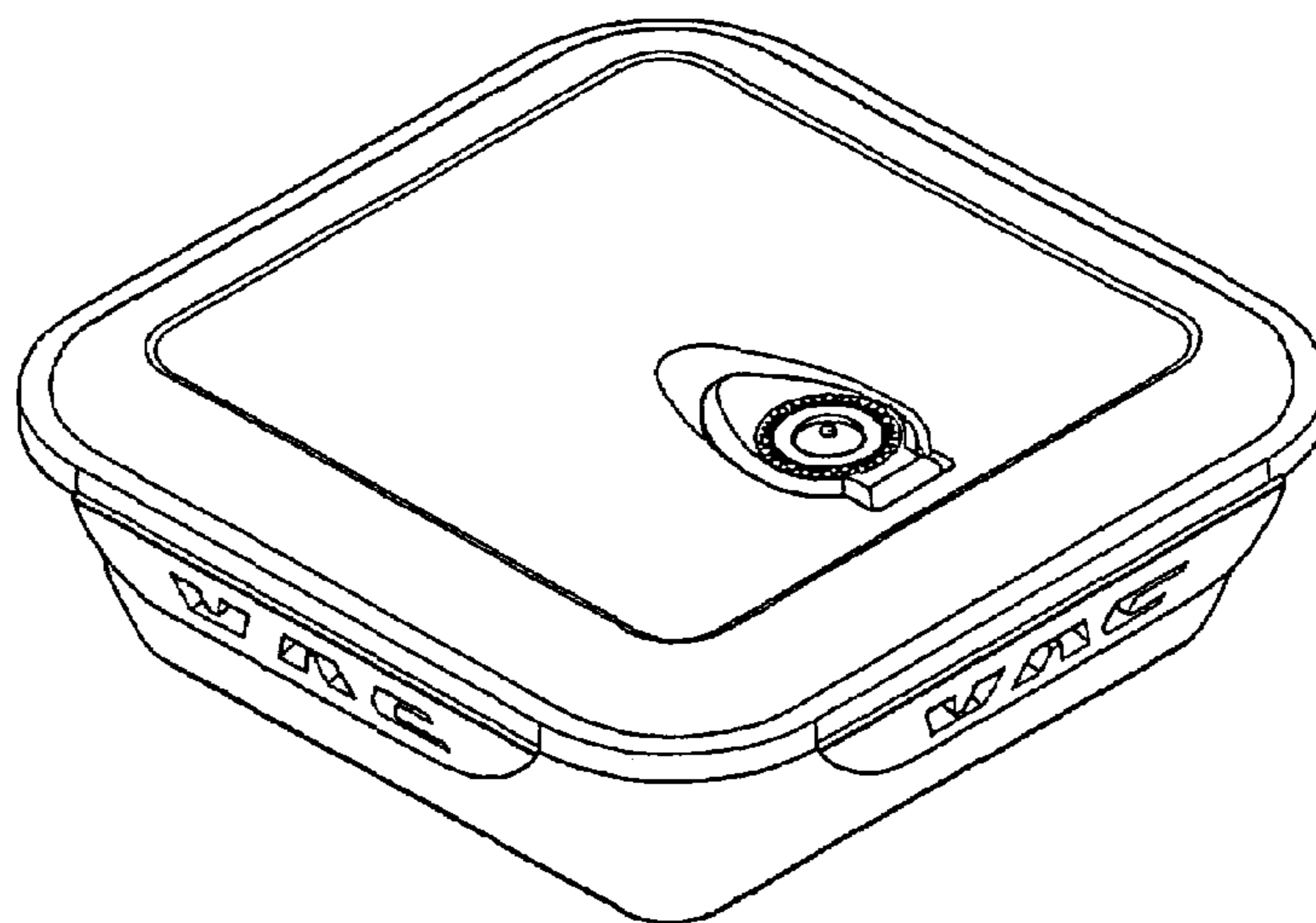


Fig 16

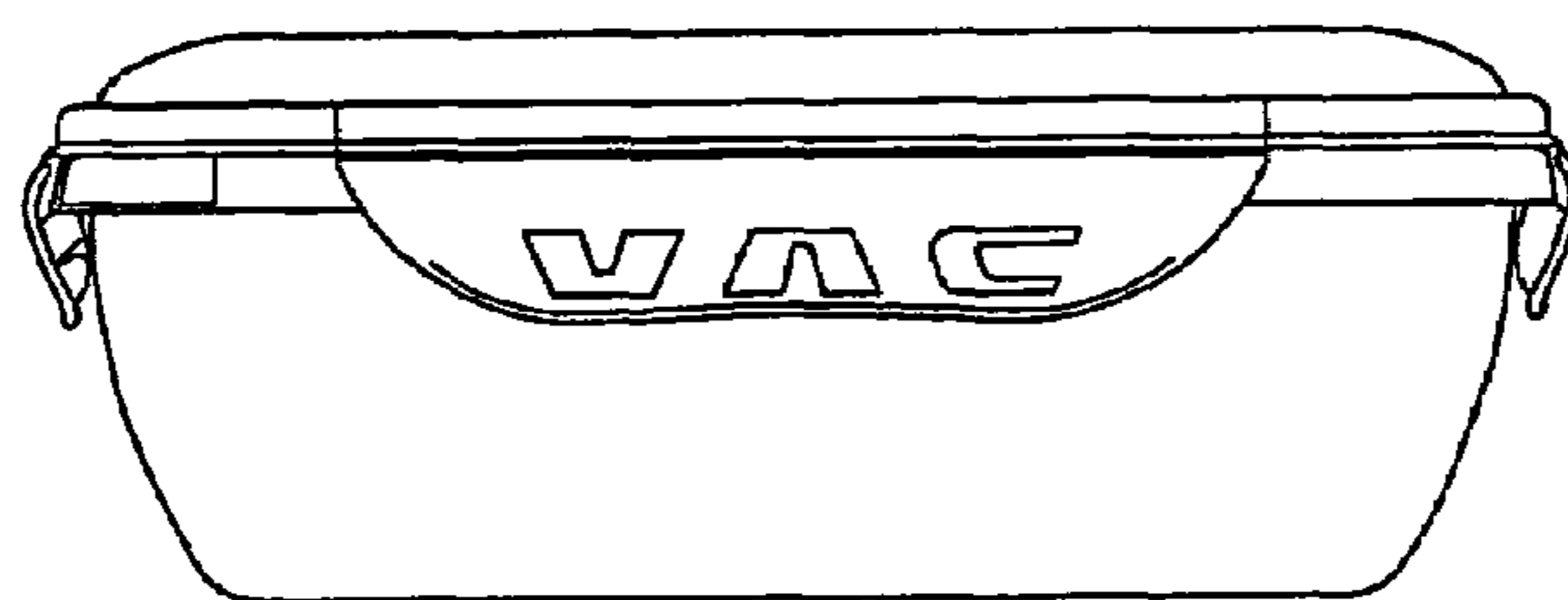


Fig 17

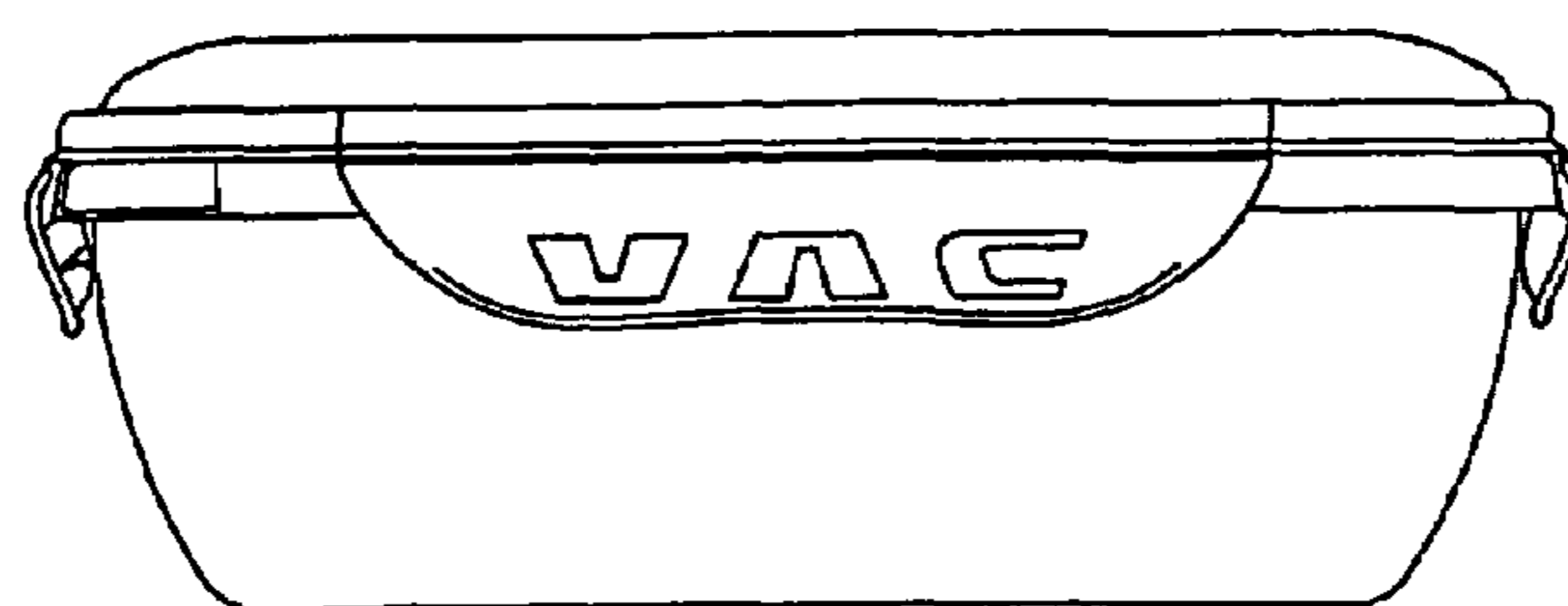


Fig 18

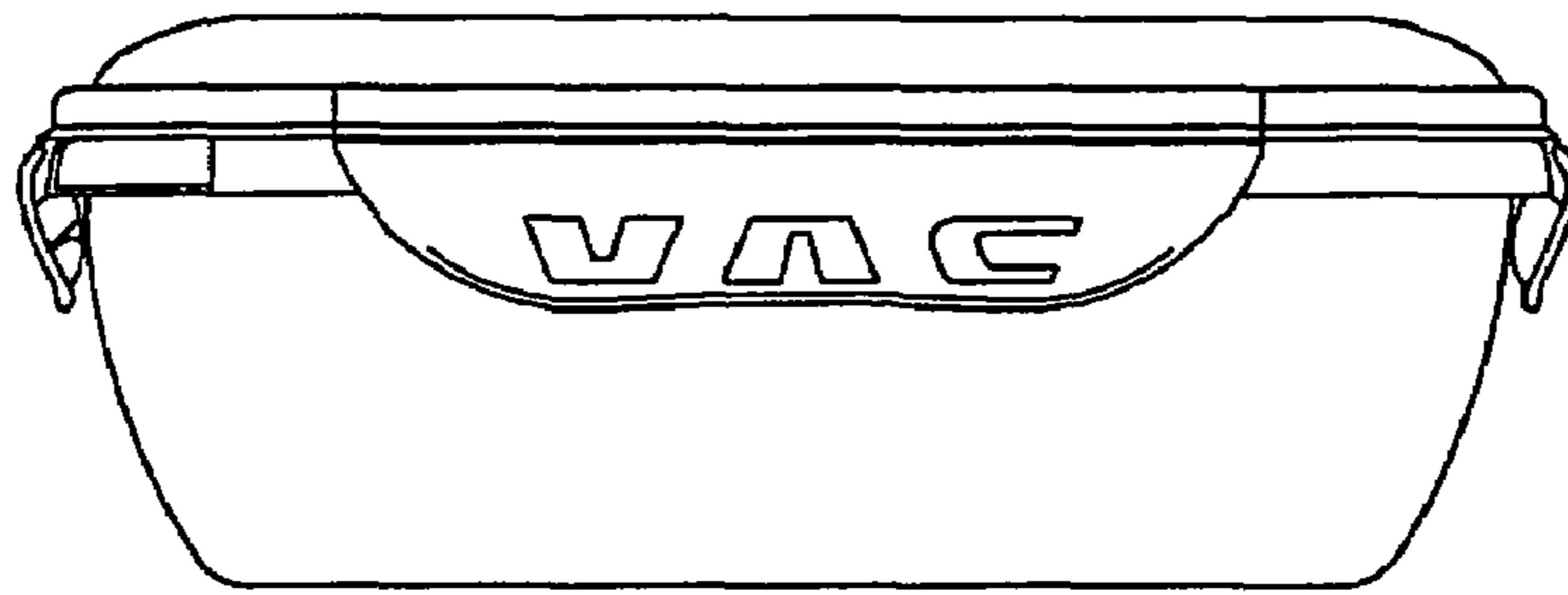


Fig 19

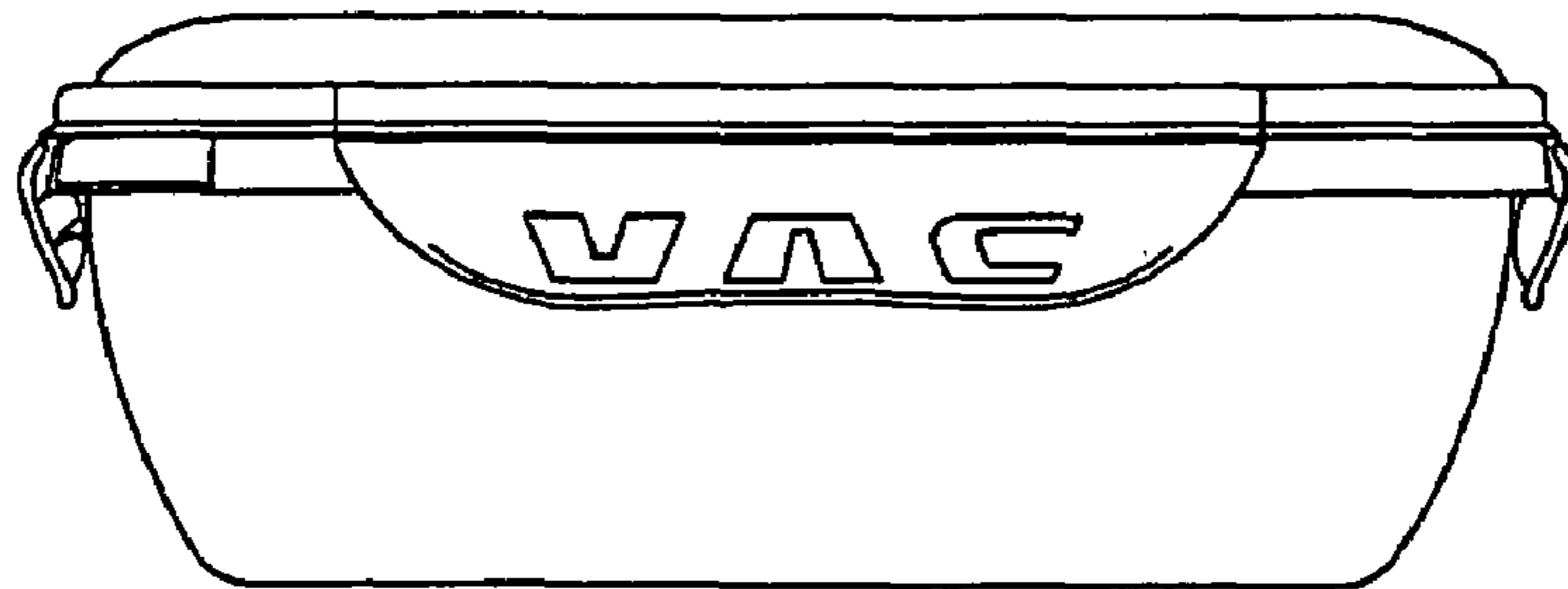


Fig 20

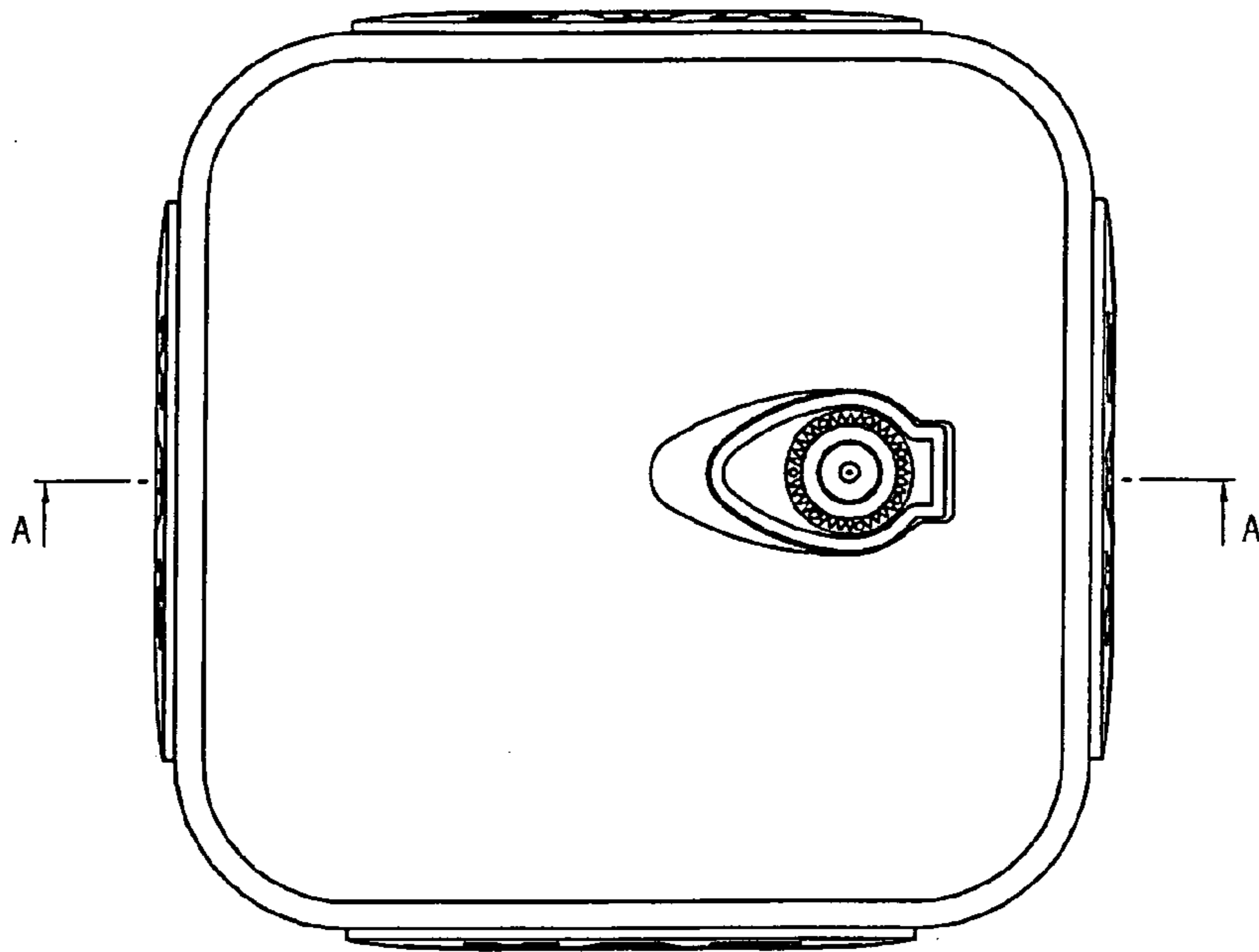


Fig 21

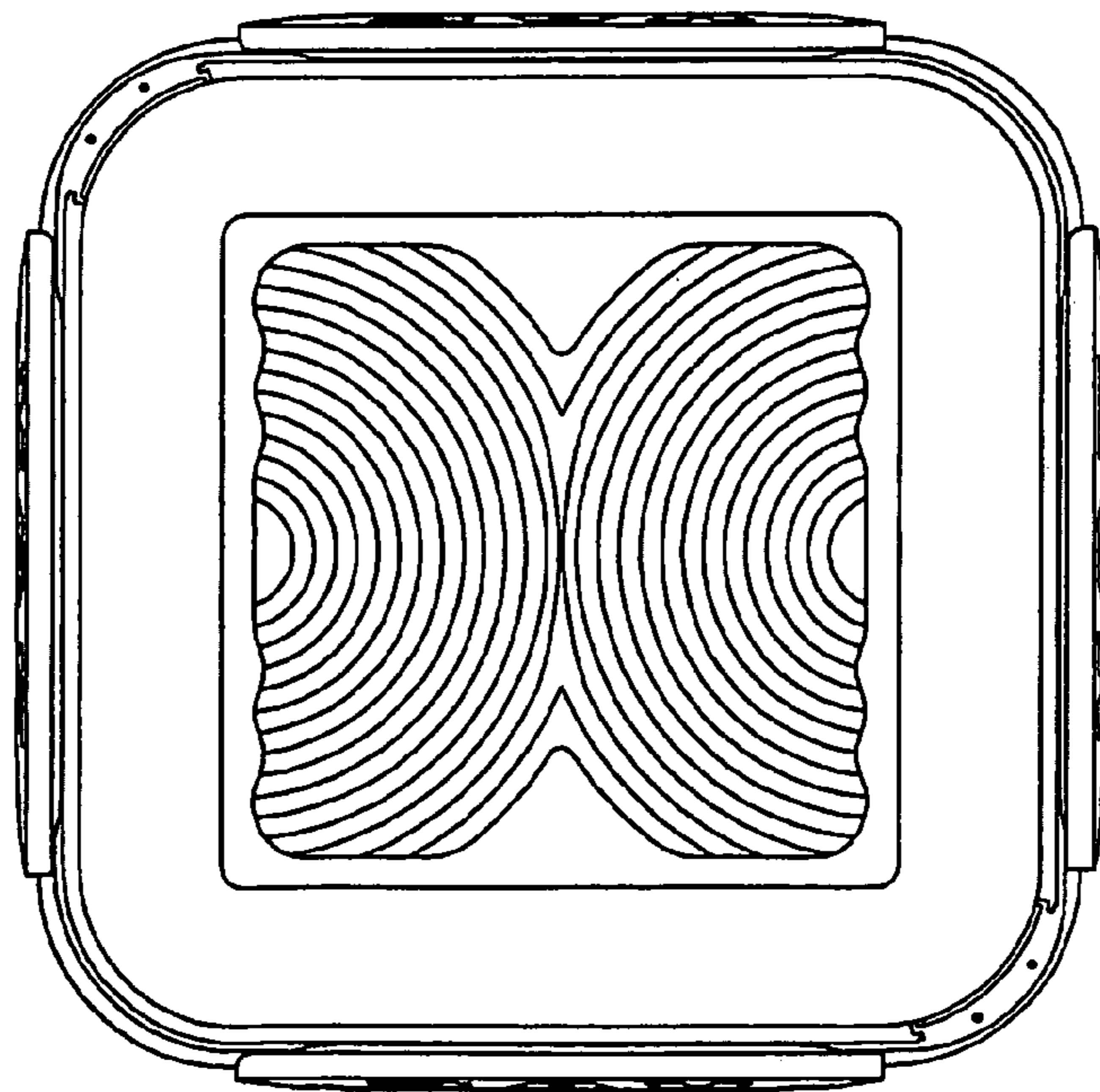


Fig 22

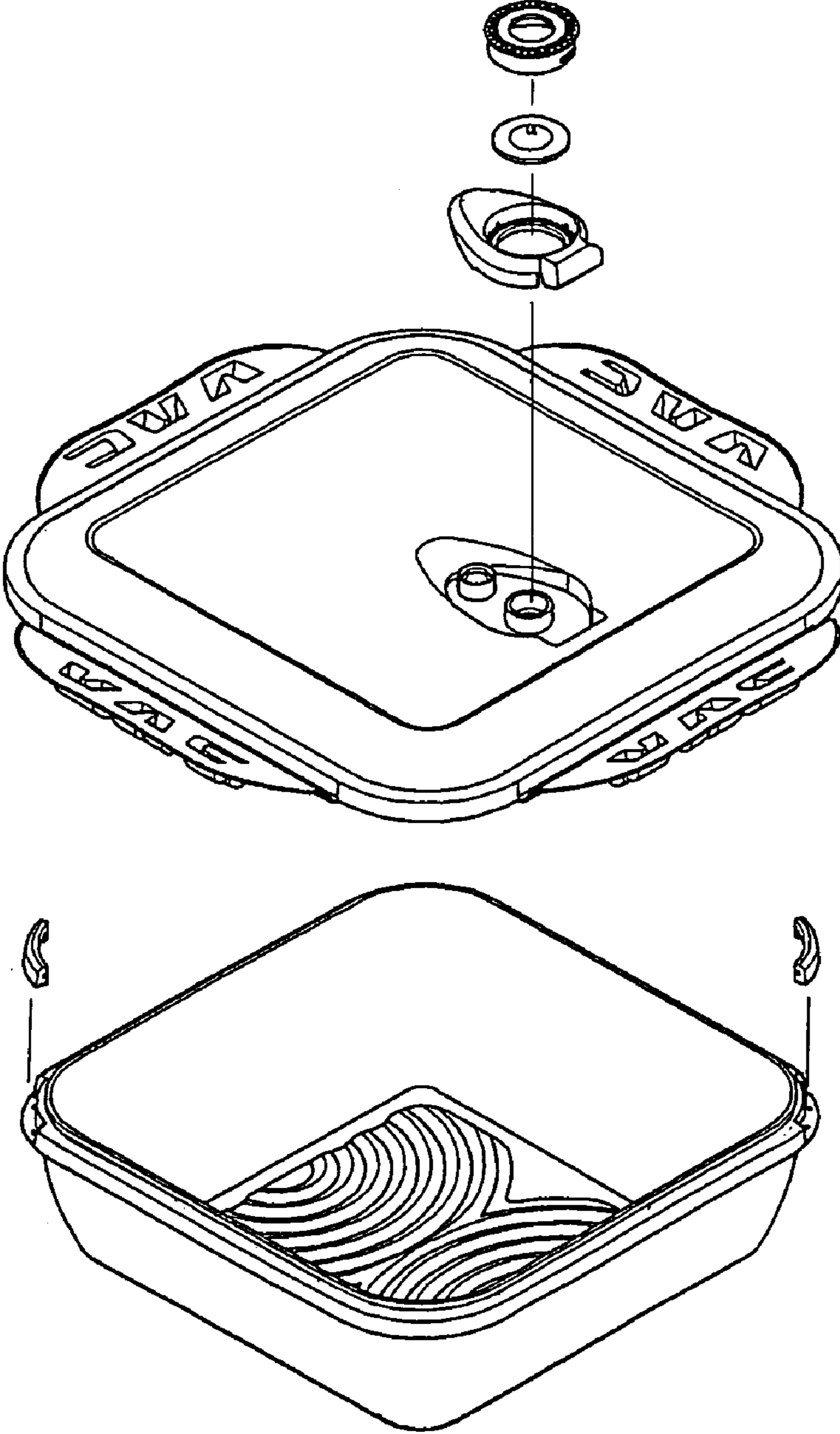


Fig 23

